



AURORA[®]

530 SERIES **SIMPLEX AND DUPLEX ONE STAGE COLUMNS**

REPAIR PARTS INDEX

NOTE! Read and understand the pump and motor instructions before attempting to install, disassemble or repair the pump.

AURORA® 670 SERIES
REPAIR PARTS INDEX

PARTS LISTED ARE FOR STANDARD PUMPS WITH SOME MODIFICATIONS SUCH AS PUMP BEARINGS, STUFFING BOXES AND HIGH THRUST BEARINGS. SEMI-OPEN IMPELLERS AND THEIR MATCHING CASINGS HAVE DIFFERENT PART NUMBERS.

SHAFT SIZE	PUMP SIZE	PAGE
1-3/16	1 x 7 THRU 4 x 7 1 x 9 AND 1½ x 9	6-9
1-7/16	2 x 9 THRU 6 x 9 1½ x 12 THRU 3 x 12	10-13

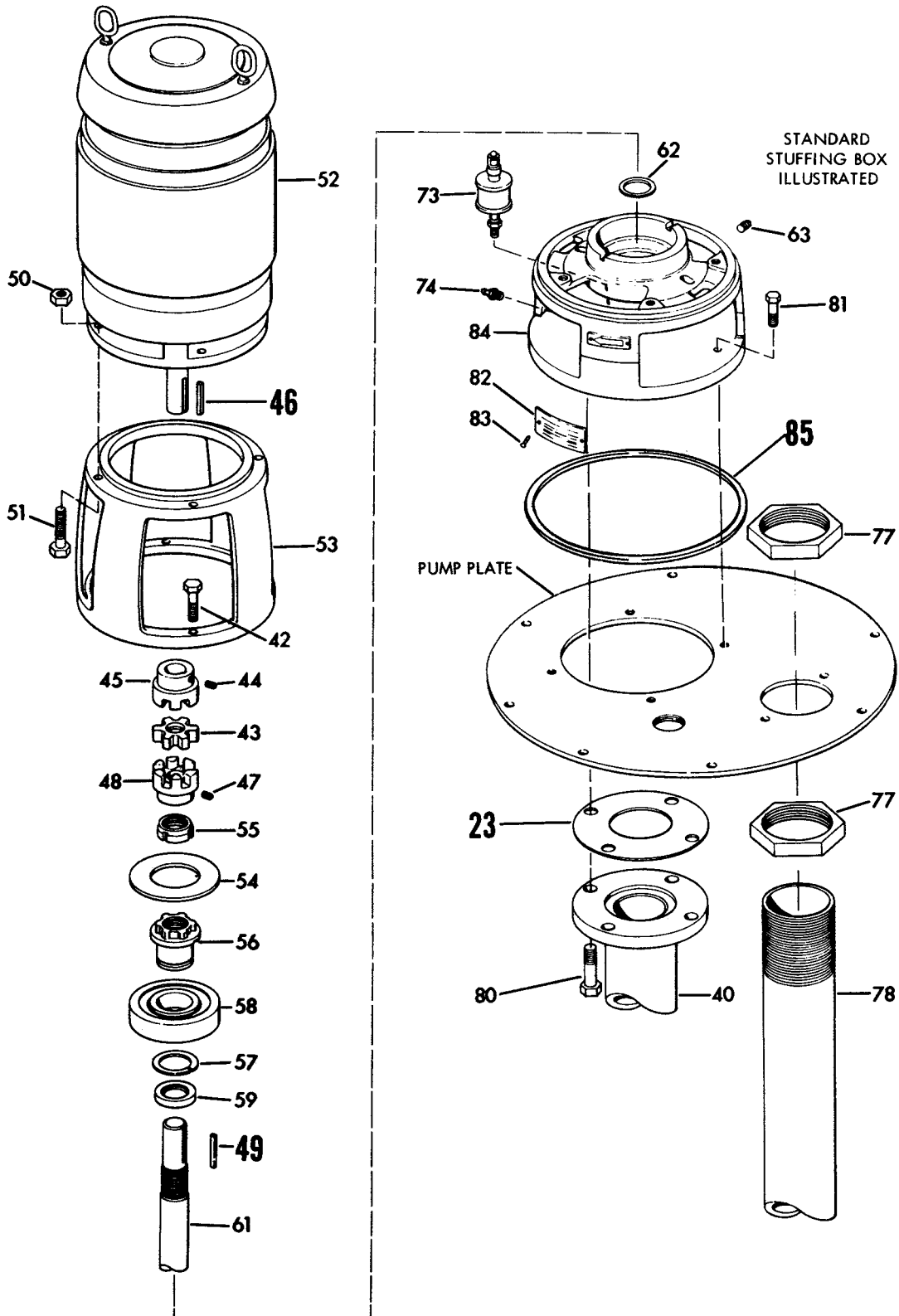
WHEN PART NUMBERS ARE NOT SHOWN, ORDER BY PIECE NUMBER AND DESCRIPTION.
 PIECE NO.

- 22 - A ROD GUIDE IS REQUIRED WITH ALL REPLACEMENT COVERS. PC NO. 22A.
- 26 - STANDARD PUMP BEARING IS LISTED. SEE PART NUMBERS 28 THRU 37 FOR SPECIAL OPTION BEARINGS. ALL PUMPS FOR 10'6" PIT DEPTH AND DEEPER ARE MADE WITH RELIEF TYPE PUMP BEARING.
- 27, 31, 32 - ON PUMPS BEFORE APRIL 1978, THE BEARING HOUSING (27), RING (31),
 33, 87 BUSHINGS (32 & 33) AND LANTERN RINGS (87) MUST ALL BE REPLACED AT THE SAME TIME FOR CUTLESS RUBBER BEARINGS.
- 39 - ONE SET OF FOUR (4) CAPSCREWS AND NUTS REQUIRED FOR EACH GUIDE BEARING JOINT.
- 40 - ONE SUPPORT PIPE IS REQUIRED FOR PIT DEPTHS UP TO 6'-0".
 TWO SUPPORT PIPES ARE REQUIRED FOR PIT DEPTHS 6'-6" TO 11'-0".
 THREE SUPPORT PIPES ARE REQUIRED FOR PIT DEPTHS 11'-6" TO 16'-0".
- 56, 58 - HIGH THRUST BEARINGS ARE STANDARD ON 1½ x 12 THRU 3 x 12 PUMPS
 58A WHEN BUILT WITH SEMI-OPEN IMPELLERS. PUMPS WITH ENCLOSED IMPELLERS ARE BUILT WITH THE STANDARD THRUST BEARING.
- 60 - PIT DEPTHS TO 11'-6" REQUIRE ONE PUMP SHAFT (61).
- 61 - PIT DEPTHS 12'-0" TO 17'-6" REQUIRE ONE PUMP SHAFT (61C), ONE HEAD SHAFT (61A) AND ONE LINE COUPLING (60).

AURORA® 530 SERIES
MODELS 531A-532A

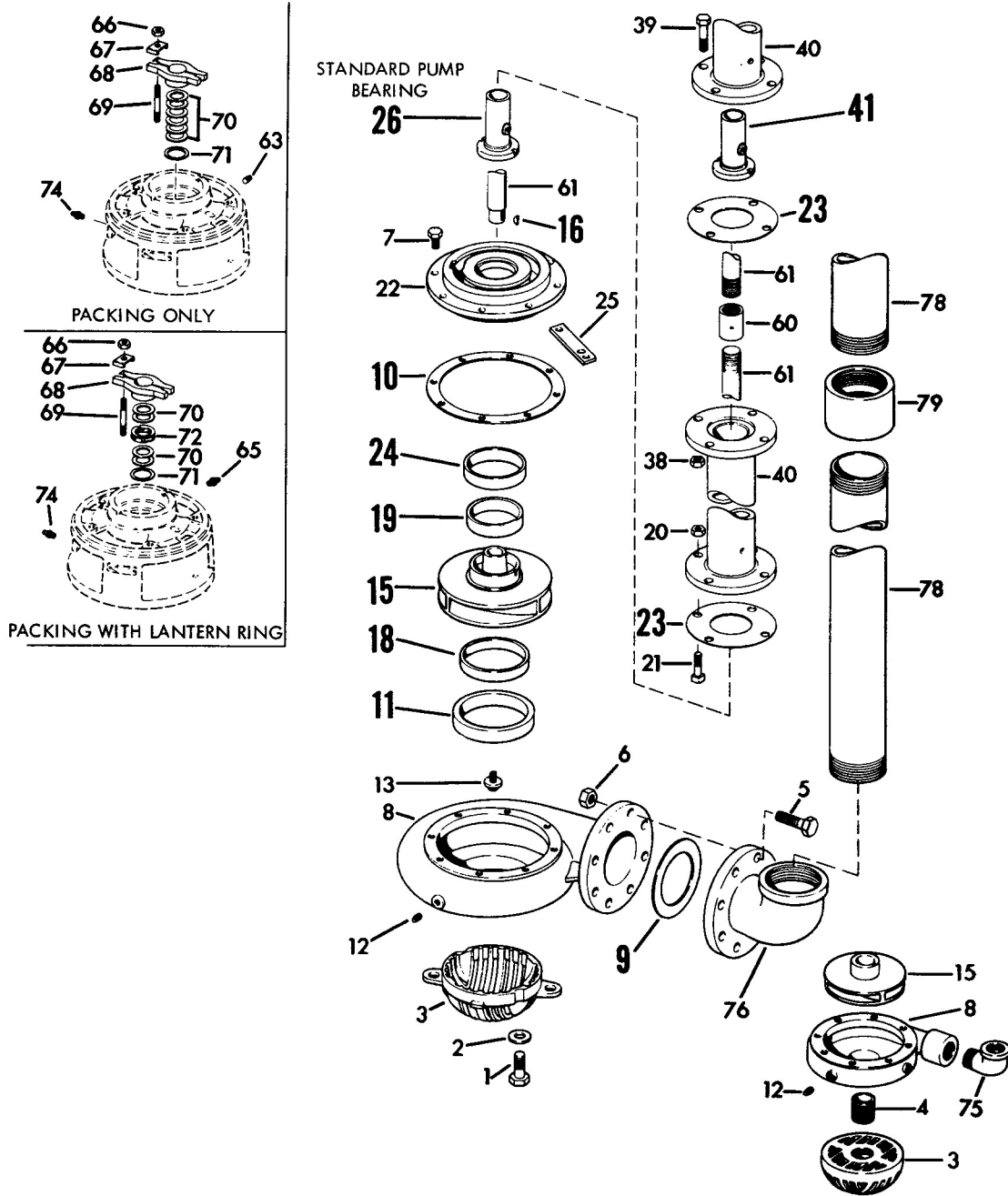
Section **530P** Page **2**
Date **NOVEMBER 1993**
Supersedes **NOVEMBER 1988**

PIECE NUMBERS



AURORA® 530 SERIES
 MODELS 531A-532A

PIECE NUMBERS

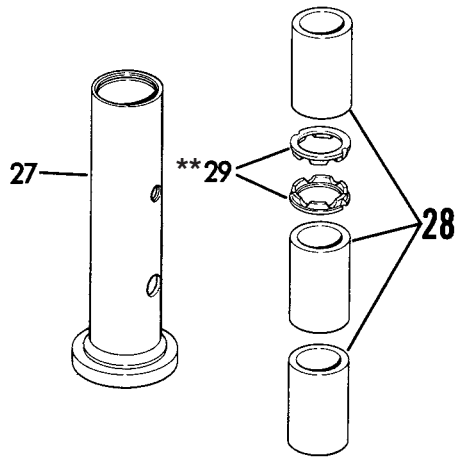


NOTE: Recommended spare parts shown in bold face type.

PIECE NUMBERS

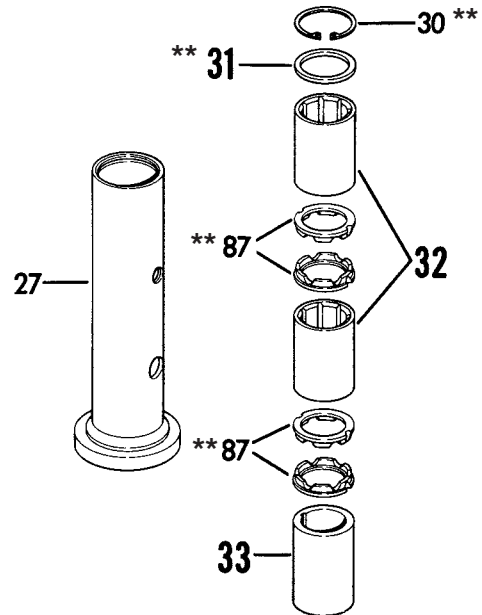
OPTIONAL RELIEF TYPE BEARINGS

GRAPHITAR



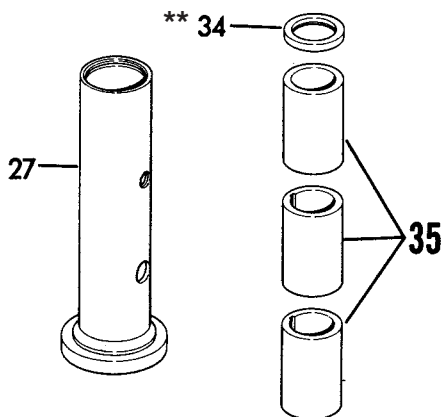
27A-COMPLETE ASSEMBLY

CUTLESS RUBBER



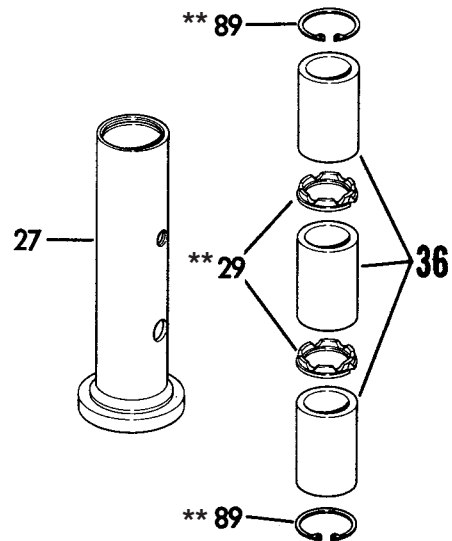
27B-COMPLETE ASSEMBLY

METAL BUSHING*



27C-COMPLETE ASSEMBLY

TEFLON



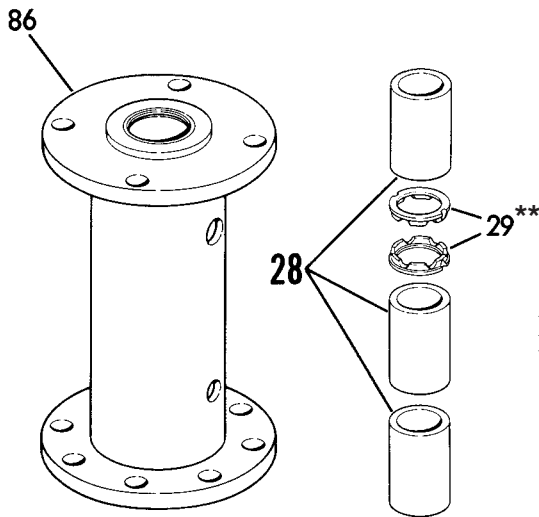
27D-COMPLETE ASSEMBLY

* Standard for pump settings over 10 feet.
 ** Only used in pumps before March 1986.

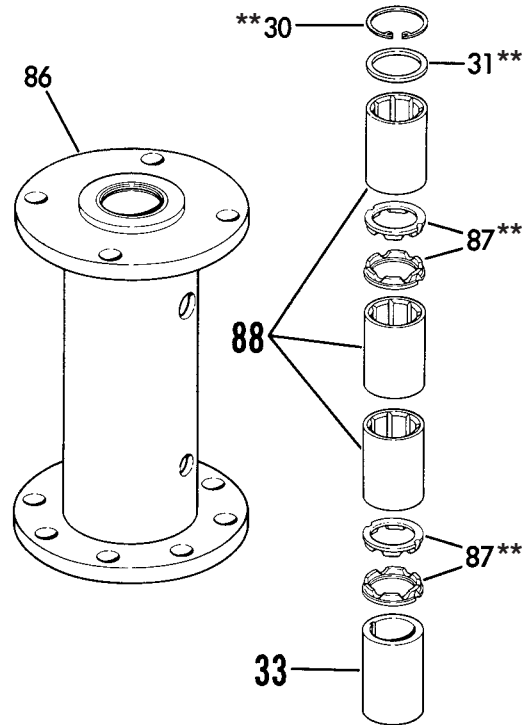
PIECE NUMBERS

OPTIONAL SPOOL TYPE BEARINGS

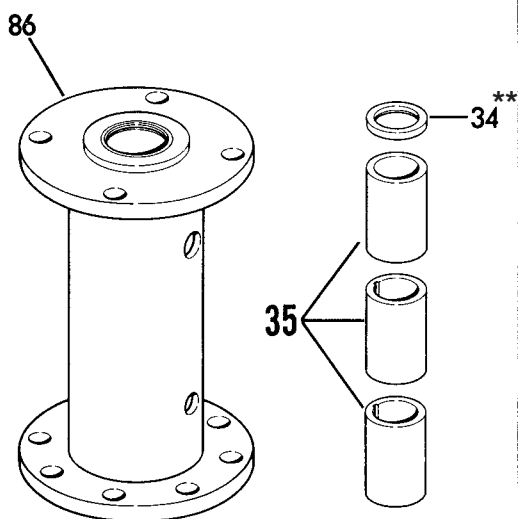
GRAPHITAR



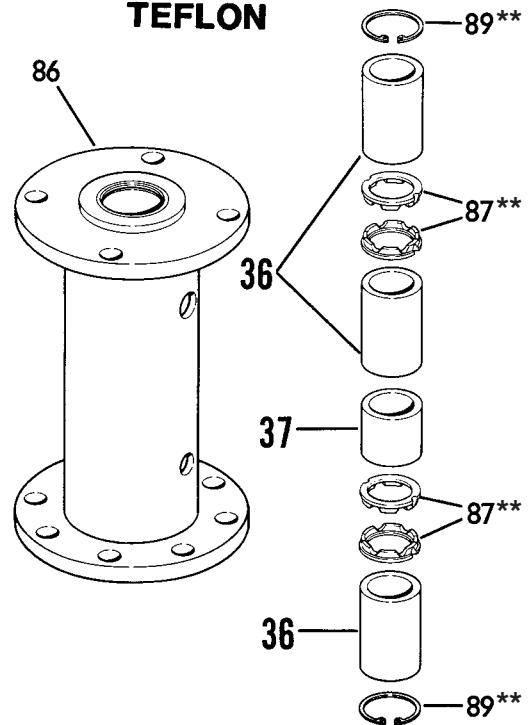
CUTLESS RUBBER



METAL BUSHING



TEFLON



** Only used in pumps before March 1986.

AURORA® 530 SERIES

MODELS 531A-532A

1x7 - 4x7 - 1x9 - 1-1/2x9

Section **530P** Page **6**

Date **NOVEMBER 1993**

Supersedes **NOVEMBER 1988**

PARTS LIST

PC. NO.	DESCRIPTION	QTY	PART NO.	MATERIAL			
				B.F.	A.B.	A.I.	S.S.
1	CAP SCREW						
	1x7, 1-1/4x7, 1-1/2x7		NOT REQUIRED				
	2x7, 2-1/2x7, 4x7	2	168-0582	080	190	080	104
	1x9, 1-1/4x9, 1-1/2x9		NOT REQUIRED				
2	WASHER						
	1x7, 1-1/4x7, 1-1/2x7		NOT REQUIRED				
	2x7, 2-1/2x7, 4x7	2	908-0166	360	190	360	104
	1x9, 1-1/4x9, 1-1/2x9		NOT REQUIRED				
3	STRAINER						
	1x7	1	796-0101	010	208	010	104
	1-1/4x7	1	796-0102	010	208	010	104
	1-1/2x7	1	796-0103	010	208	010	104
	2x7	1	796-0163	010	208	010	104
	2-1/2x7	1	796-0163	010	208	010	104
	4x7	1	796-0163	010	208	010	104
	1x9	1	796-0101	010	208	010	104
	1-1/4x9	1	796-0102	010	208	010	104
	1-1/2x9	1	796-0103	010	208	010	104
4	NIPPLE						
	1x7	1	600-1108	387	190	387	104
	1-1/4x7	1	600-1109	387	190	387	104
	1-1/2x7	1	600-1110	387	190	387	104
	2x7, 2-1/2x7, 4x7		NOT REQUIRED				
	1x9	1	600-1108	387	190	387	104
	1-1/4x9	1	600-1109	387	190	387	104
	1-1/2x9	1	600-1110	387	190	387	104
5	CAP SCREW						
	1x7, 1-1/4x7, 1-1/2x7		NOT REQUIRED				
	2x7	4	168-0568	080	190	080	104
	2-1/2x7	4	168-0568	080	190	080	104
	4x7	8	168-0570	080	190	080	104
1x9, 1-1/4x9, 1-1/2x9		NOT REQUIRED					
6	NUT						
	1x7, 1-1/4x7, 1-1/2x7		NOT REQUIRED				
	2x7	4	544-0115	080	190	080	104
	2-1/2x7	4	544-0115	080	190	080	104
	4x7	8	544-0115	080	190	080	104
1x9, 1-1/4x9, 1-1/2x9		NOT REQUIRED					
7	CAP SCREW						
	1x7-4x7	8	168-0377	080	190	080	104
	1x9, 1-1/4x9, 1-1/2x9	8	168-0487	080	190	080	104

PC. NO.	DESCRIPTION	QTY	PART NO.	MATERIAL			
				B.F.	A.B.	A.I.	S.S.
8	CASING						
	1-1/4x7	1	180-2138	010	208	010	104
	1-1/2x7	1	180-2140	010	208	010	104
	2x7	1	180-2142	010	208	010	104
	2-1/2x7	1	180-2144	010	208	010	104
	4x7	1	180-2146	010	208	010	104
	1-1/4x9	1	180-2148	010	208	010	104
	1-1/2x9	1	180-2149	010	208	010	104
9	GASKET						
	1x7, 1-1/4x7, 1-1/2x7		NOT REQUIRED				
	2x7	1	364-0603	603	603	603	603
	2-1/2x7	1	364-0604	603	603	603	603
	4x7	1	364-0607	603	603	603	603
1x9, 1-1/4x9, 1-1/2x9		NOT REQUIRED					
10	GASKET						
	1x7-4x7	1	364-1014	603	603	603	603
	1x9, 1-1/4x9, 1-1/2x9	1	364-1015	603	603	603	603
11	CASE RING						
	1x7	1	676-1150	208	208	010	104
	1-1/4x7	1	676-1150	208	208	010	104
	1-1/2x7	1	676-1151	208	208	010	104
	2x7	1	676-1152	208	208	010	104
	2-1/2x7	1	676-1152	208	208	010	104
	4x7	1	676-1154	208	208	010	104
	1x9	1	676-1150	208	208	010	104
1-1/4x9	1	676-1150	208	208	010	104	
1-1/2x9	1	676-1151	208	208	010	104	
12	PIPE PLUG	3	600-0002	087	190	087	104
13	IMPELLER NUT	1	544-0039	104	104	104	104
15	IMPELLER						
	1x7	1	443-0405	208	208	010	104
	1-1/4x7	1	443-0407	208	208	010	104
	1-1/2x7	1	443-0409	208	208	010	104
	2x7A	1	443-0411	208	208	010	104
	2x7B	1	443-0415	208	208	010	104
	2-1/2x7A	1	443-2034	208	208	010	104
	2-1/2x7B	1	443-0417	208	208	010	104
	4x7A	1	443-0425	208	208	010	104
	4x7B	1	443-0423	208	208	010	104
1x9	1	443-0429	208	208	010	104	
1-1/4x9A	1	443-0433	208	208	010	104	
1-1/4x9B	1	443-0431	208	208	010	104	
1-1/2x9A	1	443-0437	208	208	010	104	
1-1/2x9B	1	443-0435	208	208	010	104	

AURORA® 530 SERIES
 MODELS 531A-532A
 1x7 - 4x7 - 1x9 - 1-1/2x9

PARTS LIST

PC. NO.	DESCRIPTION	QTY	PART NO.	MATERIAL				
				B.F.	A.B.	A.I.	S.S.	
15	IMPELLER (MACH. FOR OPT. RING #'S 18 & 19, IF REQ'D)	1-1/4x7	1	443-0408	208	208	010	104
		1-1/2x7	1	443-0410	208	208	010	104
		2x7A	1	443-0412	208	208	010	104
		2x7B	1	443-0416	208	208	010	104
		2-1/2x7A	1	443-1775	208	208	010	104
		2-1/2x7B	1	443-0418	208	208	010	104
		4x7A	1	443-0426	208	208	010	104
		4x7B	1	443-0424	208	208	010	104
		1-1/4x9A	1	443-0434	208	208	010	104
		1-1/4x9B	1	443-0432	208	208	010	104
		1-1/2x9A	1	443-0438	208	208	010	104
		1-1/2x9B	1	443-0436	208	208	010	104
		16	IMPELLER KEY	1	472-0010	087	104	087
18	IMP. WEAR RING (OPTIONAL)	1-1/4x7	1	676-1145	208	208	010	104
		1-1/2x7	1	676-1146	208	208	010	104
		2, 2-1/2x7A, 7B	1	676-1133	208	208	010	104
		4x7A, 7B	1	676-1140	208	208	010	104
		1-1/4x9	1	676-1145	208	208	010	104
		1-1/2x9, 9B	1	676-1146	208	208	010	104
19	IMP. WEAR RING (OPTIONAL) 2, 2-1/2, 4x7, A, B	1	676-1133	208	208	010	104	
20	NUT	4	544-0115	080	190	080	104	
21	BOLT	7"	4	100-0507	087	190	087	104
		9"	4	100-0511	087	190	087	104
22	COVER	1x7-4x7	1	260-0019	010	208	010	104
		1x9, 1-1/4x9, 1-1/2x9	1	260-0020	010	208	010	104
23	GASKET		364-1021	588	588	588	588	
24	CASE RING	2x7, 2-1/2x7, 4x7	1	676-1148	208	208	010	104
		ALL OTHER SIZES		NOT REQUIRED				
25	FLOAT ROD GUIDE (REQ'D WHEN #22 IS ORDERED)	1	396-0010	087	208	087	087	
26	PUMP BEARING	1	136-1405	208	208	010		
27	BEARING HOUSING	1	260-0701	087	208	087	104	

PC. NO.	DESCRIPTION	QTY	PART NO.	MATERIAL			
				B.F.	A.B.	A.I.	S.S.
OPTIONAL RELIEF TYPE BEARINGS COMPLETE ASSY. BEFORE MARCH 1986							
27A	GRAPHITAR	1	032-0680	NOT AVAILABLE USE NEW DESIGN			
27B	CUTLESS RUBBER	1	032-0679				
27C	METAL BUSHING	1	032-0681				
27D	TEFLON	1	032-0682				
28	BUSHING	3	136-1171	540	540	540	540
29	LANTERN RING	1	676-1680	512	512	512	512
30	SNAP RING	1	676-0220	088	104	088	104
31	RETAINING RING	1	676-1996	079	190	079	104
32	BUSHING	2	136-1378	457	457	457	457
33	BUSHING	1	136-1173	208	208	010	
34	SEAL	1	712-0069	653	653	653	
35	BUSHING	3	136-1173	208	208	010	
36	BUSHING	3	136-1591	522	522	522	522
37	BUSHING	1	136-1173	208	208	010	
OPTIONAL RELIEF TYPE BEARINGS COMPLETE ASSY. AFTER MARCH 1986							
27A	GRAPHITAR	1	032-0680	644	643	642	646
27B	CUTLESS RUBBER	1	032-0679	644	643	642	646
27C	METAL BUSHING	1	032-0681	644	643	642	
27D	TEFLON	1	032-0682	644	643	642	646
28	BUSHING	1	136-1171	540	540	540	540
32	BUSHING	2	136-1616	486	486	487	487
33	BUSHING	1	136-1173	208	208	010	104
35	BUSHING	3	136-1173	208	208	010	
36	BUSHING	3	136-1614	485	485	485	485
37	BUSHING	1	136-1624	485	485	485	485
38	NUT	4	544-0115	080	190	080	
39	CAP SCREW	4	168-0564	080	080	080	
40	SUPPORT PIPE		REFER TO FACTORY				
41	GUIDE BEARING		136-1405	208	208	208	
42	CAP SCREW	4	168-0492	080	080	080	
43	COUPLING INSERT		REFER TO SECTION 1000P				
44	SET SCREW		REFER TO SECTION 1000P				
45	COUPLING HALF		REFER TO SECTION 1000P				
46	COUPLING KEY		REFER TO FACTORY				
47	SET SCREW		REFER TO SECTION 1000P				
48	COUPLING HALF		REFER TO SECTION 1000P				
49	COUPLING KEY	1	472-0250	087	087	087	
50	NUT		REFER TO FACTORY				

AURORA® 530 SERIES

MODELS 531A-532A

1x7 - 4x7 - 1x9 - 1-1/2x9

Section **530P** Page **8**

Date **JANUARY 2015**

Supersedes **NOVEMBER 1993**

PARTS LIST

PC. NO.	DESCRIPTION	QTY	PART NO.	MATERIAL				
				B.F.	A.B.	A.I.	S.S.	
51	CAP SCREW		REFER TO FACTORY					
52	MOTOR		REFER TO FACTORY					
53	UPPER HEAD		REFER TO FACTORY					
54	SLINGER	1	764-0401	457	457	457	457	
55	LOCKNUT	1	544-1107	080	080	080	080	
56	BEARING COLLAR	1	224-0162	208	208	208	208	
57	RETAINING RING	1	676-0289	088	088	088	088	
58	BALL BEARING	1	068-2023	647	647	647	647	
59	GREASE SEAL	1	712-0144	653	653	653	653	
60	COUPLING		256-2013	062	104	062	104	
61	SHAFT (ONE PIECE)		REFER TO FACTORY					
61A	HEAD SHAFT (2 OR 3 PIECE)		REFER TO FACTORY					
61B	LINE SHAFT (3 PIECE)		REFER TO FACTORY					
61C	PUMP SHAFT (2 OR 3 PIECE)		REFER TO FACTORY					
62	SLINGER	1	764-1005	478	478	478	478	
63	PIPE PLUG	1	600-0002	087	190	087	104	
65	GREASE FITTING	1	508-0002	651	651	651	651	
66	NUT	2	544-0109	080	190	080	104	
67	GLAND CLAMP	2	204-0120	360	190	360	104	
68	GLAND	1	372-0219	010	208	010	104	
69	STUD	2	808-0112	082	082	082	104	
70	PACKING	4	564-0120	802	802	802	802	
71	RING	1	676-1231	190	190	087	104	
72	LANTERN RING	1	676-1680	512	512	512	512	
73	OILER (OPTIONAL)	1	552-0102	652	652	652	652	
74	GREASE FITTING	1	508-0002	651	651	651	651	
75	ELBOW	1x7	1	600-0207	387	190	387	104
		1-1/4x7	1	600-0208	387	190	387	104
		1-1/2x7	1	600-0209	387	190	387	104
		2x7		NOT REQUIRED				
		2-1/2x7		NOT REQUIRED				
		4x7		NOT REQUIRED				
		1x9	1	600-0207	387	190	387	104
		1-1/4x9	1	600-0208	387	190	387	104
	1-1/2x9	1	600-0209	387	190	387	104	

PC. NO.	DESCRIPTION	QTY	PART NO.	MATERIAL				
				B.F.	A.B.	A.I.	S.S.	
76	ELBOW	1x7		NOT REQUIRED				
		1-1/4x7		NOT REQUIRED				
		1-1/2x7		NOT REQUIRED				
		2x7	1	300-0016	010	208	010	104
		2-1/2x7	1	300-0010	010	208	010	104
		4x7	1	300-0012	010	208	010	104
		1x9		NOT REQUIRED				
		1-1/4x9		NOT REQUIRED				
77	LOCKNUT	1x7	2	544-0955	028	190	028	104
		1-1/4x7	2	544-0956	028	190	028	104
		1-1/2x7	2	544-0957	028	190	028	104
		2x7	2	544-0958	028	190	028	104
		2-1/2x7	2	544-0959	028	190	028	104
		4x7	2	544-2037	208	190	028	104
		1x9	2	544-0955	028	190	028	104
		1-1/4x9	2	544-0956	028	190	028	104
	1-1/2x9	2	544-0957	028	190	028	104	
78	DISCHARG PIPE		REFER TO FACTORY					
79	COUPLING		REFER TO FACTORY					
80	CAP SCREW	4	167-0562	080	080	080	080	
81	CAP SCREW	4	168-0388	080	080	080	080	
82	NAMEPLATE	1	532-0045	114	114	114	114	
83	DRIVE SCREW	2	708-0013	365	365	365	365	
84	LOWER HEAD	1	116-0439	010	010	010	010	
		1	116-0440	010	010	010	010	
		4	168-0378	080	080	080	080	
85	GASKET	1	364-1254	481	481	481	481	
OPTIONAL RELIEF TYPE BEARINGS COMPLETE ASSY. BEFORE MARCH 1986								
86	SPOOL HOUSING	1	260-0726	087	087	087	104	
87	LANTERN RING	2	676-1680	512	512	512	512	
88	BUSHING	3	136-1378	457	457	457	457	
89	SNAP RING	2	676-0220	088	104	088	104	
OPTIONAL RELIEF TYPE BEARINGS COMPLETE ASSY. AFTER MARCH 1986								
86	SPOOL HOUSING	1	260-0726	087	087	087	104	
88	BUSHING	3	136-1616	486	486	487	487	

AURORA® 530 SERIES
 MODELS 531A-532A
 1x7 - 4x7 - 1x9 - 1-1/2x9

PARTS LIST

PC. NO.	DESCRIPTION	QTY	PART NO.	MATERIAL			
				B.F.	A.B.	A.I.	S.S.
PARTS NOT SHOWN ON EXPLODED VIEW							
	SWITCH STAND FLOAT ROD FLOAT STOPS FLOAT			REFER TO SECTION 1020P FOR FLOAT SWITCH ASSY.			
	CASING - FOR SEMI-OPEN IMPELLER						
	1-1/4x7	1	180-2139	010	208	010	104
	1-1/2x7	1	180-2141	010	208	010	104
	2x7	1	180-2143	010	208	010	104
	2-1/2x7	1	180-2145	010	208	010	104
	4x7	1	180-2147	010	208	010	104
	1-1/4x9	1	180-2192	010	208	010	104
	1-1/2x9	1	180-2150	010	208	010	104
	SEMI-OPEN IMPELLER						
	1-1/4x7	1	443-1831	208	208	010	104
	1-1/2x7	1	443-1834	208	208	010	104
	2x7A	1	443-2049	208	208	010	104
	2-1/2x7A	1	443-2051	208	208	010	104
	4x7B	1	443-2053	208	208	010	104
	1-1/4x9	1	443-1832	208	208	010	104
	1-1/2x9A	1	443-1835	208	208	010	104
	SEMI-OPEN IMPELLER MACHINED FOR OPTIONAL RINGS						
	2x7A	1	443-1837	208	208	010	104
	2-1/2x7A	1	443-1840	208	208	010	104
	4x7B	1	443-1846	208	208	010	104
	WEAR RINGS FOR SEMI-OPEN IMPELLER						
	2x7A	1	676-1133	208	208	010	104
	2-1/2x7A	1	676-1133	208	208	010	104
	4x7B	1	676-1133	208	208	010	104

PARTS LIST

PC. NO.	DESCRIPTION	QTY	PART NO.	MATERIAL					
				B.F.	A.B.	A.I.	S.S.		
1	CAP SCREW 2x9-3x9 A,B 2x11-3x11 4x9 A,B 5x9-6x9 4x11-5x11 1-1/2x12-1-1/2x11 2x12-3x12	2	168-0582	080	190	080	104		
		2	168-0582	080	190	080	104		
		2	168-0566	080	190	080	104		
		2	168-0632	080	190	080	104		
		2	168-0652	080	190	080	109		
		NOT REQUIRED							
		2	168-0582	080	190	080	104		
2	WASHER 2x9-4x9 A,B 2x11-3x11 5x9-6x9 4x11-5x11 1-1/2x12 & 1-1/2x11 2x12-3x12	2	908-0116	360	190	360	104		
		2	908-0116	360	190	360	104		
		2	908-0117	360	190	360	104		
		2	908-0117	360	190	360	104		
		NOT REQUIRED							
		2	908-0116	360	190	360	104		
		2	908-0116	360	190	360	104		
3	STRAINER 2x9 2-1/2x9 3x9 A,B 4x9 A,B 5x9 6x9 1-1/2x12 & 1-1/2x11 2x12 2-1/2x12 3x12	1	796-0163	010	208	010	104		
		1	796-0163	010	208	010	104		
		1	796-0163	010	208	010	104		
		1	796-0163	010	208	010	104		
		1	796-0163	010	208	010	104		
		1	796-0163	010	208	010	104		
		1	796-0103	010	208	010	104		
		1	796-0163	010	208	010	104		
4	NIPPLE 1-1/2x12 & 1-1/2x11 2x12-3x12	1	600-1110	387	190	387	104		
		NOT REQUIRED							
5	CAP SCREW 2x9-3x9 A,B 2x11 4x9 A,B & 4x11 5x9 & 5x11 5x9 6x9 6x9 1-1/2x12, 1-1/2x11 2x12-3x12 & 3x11	4	168-0568	080	190	080	104		
		4	168-0568	080	190	080	104		
		8	168-0570	080	190	080	104		
		2	168-0634	080	190	080	104		
		6	168-0642	080	190	080	104		
		2	168-0634	080	190	080	104		
		6	168-0646	080	190	080	104		
		NOT REQUIRED							
		4	168-0568	080	190	080	104		
6	NUT 2x9-3x9 A,B & 2x11 4x9 A,B & 4x11 5x9-6x9 & 5x11 1-1/2x12 & 1-1/2x11 2x12-3x12	4	544-0115	080	190	080	104		
		8	544-0115	080	190	080	104		
		8	544-0117	080	190	080	104		
		NOT REQUIRED							
		4	544-0115	080	190	080	104		

PC. NO.	DESCRIPTION	QTY	PART NO.	MATERIAL					
				B.F.	A.B.	A.I.	S.S.		
7	CAP SCREW 1-1/2x11-5x11 2x9-6x9 1-1/2x12-3x12	8	168-0490	080	190	080	104		
		8	168-0487	080	190	080	104		
		8	168-0489	080	190	080	104		
8	CASING 2x9 2-1/2x9 3x9 A,B 4x9A 4x9B 6x9 1-1/2x12 2x12 2-1/2x12 3x12 1-1/2x2x11 2x3x11 3x4x11 4x5x11 5x6x11	1	180-2152	010	208	010	104		
		1	180-2153	010	208	010	104		
		1	180-2155	010	208	010	104		
		1	180-2156	010	208	010	104		
		1	180-2157	010	208	010	104		
		1	180-2159	010	208	010	104		
		1	180-2161	010	208	010	104		
		1	180-2163	010	208	010	104		
		1	180-2164	010	208	010	104		
		1	180-2166	010	208	010	104		
		1	180-2353	010	208	010	104		
		1	180-2354	010	208	010	104		
		1	180-2355	010	208	010	104		
1	180-2357	010	208	010	104				
9	GASKET 2x9 2-1/2x9 3x9 A,B 4x9 A,B & 4x11 5x9 & 5x11 6x9 1-1/2x12 & 1-1/2x11 2x12 & 2x11 2-1/2x12 3x12 & 3x11	1	364-0603	603	603	603	603		
		1	364-0604	603	603	603	603		
		1	364-0605	603	603	603	603		
		1	364-0607	603	603	603	603		
		1	364-0608	603	603	603	603		
		1	364-0609	603	603	603	603		
		NOT REQUIRED							
		1	364-0603	603	603	603	603		
		1	364-0604	603	603	603	603		
		1	364-0605	603	603	603	603		
10	GASKET 2x6-6x9 1-1/2x11-5x11 1-1/2x12-3x12	1	364-1015	603	603	603	603		
		1	364-2109	603	603	603	603		
		1	364-1016	603	603	603	603		

AURORA® 530 SERIES

MODELS 531A–532A

PARTS LIST

PC. NO.	DESCRIPTION	QTY	PART NO.	MATERIAL				
				B.F.	A.B.	A.I.	S.S.	
11	CASE RING	1-1/2x2x11	1	676-1151	208	208	010	104
		2x3x11	1	676-1152	208	208	010	104
		3x4x11	1	676-1154	208	208	010	104
		4x5x11	1	676-1155	208	208	010	104
		5x6x11	1	676-1684	208	208	010	104
		2x9	1	676-1152	208	208	010	104
		2-1/2x9	1	676-1152	208	208	010	104
		3x9 A,B	1	676-1154	208	208	010	104
		4x9A	1	676-1154	208	208	010	104
		4x9B	1	676-1155	208	208	010	104
		5x9	1	676-1155	208	208	010	104
		6x9	1	676-1155	208	208	010	104
		1-1/2x12	1	676-1151	208	208	010	104
		2x12	1	676-1152	208	208	010	104
		2-1/2x12	1	676-1152	208	208	010	104
		3x12	1	676-1154	208	208	010	104
		12	PIPE PLUG	3	600-0002	087	190	087
13	IMPELLER NUT	1	544-0040	104	104	104	104	
15	IMPELLER	1-1/2x2x11	1	443-2513	208	208	010	104
		2x3x11	1	443-2399	208	208	010	104
		3x4x11	1	443-2400	208	208	010	104
		4x5x11	1	443-2401	208	208	010	104
		5x6x11	1	443-2402	208	208	010	104
		2x9	1	443-0443	208	208	010	104
		2-1/2x9	1	443-0447	208	208	010	104
		3x9A	1	443-1768	208	208	010	104
		3x9B	1	443-1764	208	208	010	104
		4x9A	1	443-1752	208	208	010	104
		4x9B	1	443-0459	208	208	010	104
		5x9	1	443-0463	208	208	010	104
		6x9	1	443-0467	208	208	010	104
		1-1/2x12	1	443-1725	208	208	010	104
		2x12	1	443-1726	208	208	010	104
		2-1/2x12	1	443-1727	208	208	010	104
		3x12	1	443-1728	208	208	010	104
15	IMPELLER– MACH. FOR OPT. RING(S) #18 & 19, IF REQUIRED.	1-1/2x2x11	1	443-2514	208	208	010	104
		2x3x11	1	443-2427	208	208	010	104
		3x4x11	1	443-2428	208	208	010	104
		4x5x11	1	443-2429	208	208	010	104
		5x6x11	1	443-2430	208	208	010	104
		2x9	1	443-0444	208	208	010	104
		2-1/2x9	1	443-0448	208	208	010	104
		3x9A	1	443-1769	208	208	010	104
		3x9B	1	443-1765	208	208	010	104
		4x9A	1	443-1753	208	208	010	104
		4x9B	1	443-0460	208	208	010	104
		5x9	1	443-0464	208	208	010	104
		6x9	1	443-0468	208	208	010	104
		1-1/2x12	1	443-1739	208	208	010	104
		2x12	1	443-1740	208	208	010	104
		2-1/2x12	1	443-1741	208	208	010	104
		3x12	1	443-1742	208	208	010	104

PC. NO.	DESCRIPTION	QTY	PART NO.	MATERIAL				
				B.F.	A.B.	A.I.	S.S.	
16	IMPELLER KEY	1	472-0019	087	104	087	104	
18	IMP. WEAR RING (OPTIONAL)	5x6x11	1	676-1143	208	208	010	104
		2x9, 2-1/2x9	1	676-1133	208	208	010	104
		3x9 A,B, 4x9A	1	676-1140	208	208	010	104
		4x9B, 6x9 & 4x11	1	676-1141	208	208	010	104
		1-1/2x12 & 1-1/2x11	1	676-1146	208	208	010	104
		2x12, 2-1/2x12 & 2x11	1	676-1133	208	208	010	104
		3x12 & 3x11	1	676-1140	208	208	010	104
		2x9, 2-1/2x9 & 2x11	1	676-1133	208	208	010	104
		3x9 A,B, 3x11, 4x9 A,B 6x9	1	676-1156	208	208	010	104
1-1/2x12 & 1-1/2x11	NOT REQUIRED							
2x12, 2-1/2x11	1	676-1133	208	208	010	104		
3x12, 4x11 & 5x11	1	676-1156	208	208	010	104		
20	NUT	2x9–3x9–2x11–3x11	4	544-0115	080	190	080	104
		4x9–6x9–4x11–5x11	8	544-0115	080	190	080	104
		1-1/2x12–3x12–1-1/2x11	4	544-0115	080	190	080	104
21	BOLT	2x9–3x9–1-1/2x11–2x11	4	100-0511	087	190	087	104
		3x11	4	100-0511	087	190	087	104
		4x9–6x9–4x11–5x11	8	100-0511	087	190	087	104

AURORA® 530 SERIES

MODELS 531A-532A

2x9 – 6x9 – 1-1/2x11 – 5x11 – 1-1/2x12 – 3x12 Supersedes **NOVEMBER 1993**

Section **530P** Page **12**

Date **JANUARY 2015**

PARTS LIST

PC. NO.	DESCRIPTION	QTY	PART NO.	MATERIAL			
				B.F.	A.B.	A.I.	S.S.
22	COVER						
	1-1/2x11 – 5x11	1	260-0039	010	208	010	104
	2x9 – 6x9	1	260-0020	010	208	010	104
	1-1/2x12 – 3x12	1	260-0021	010	208	010	104
23	GASKET		364-1021	588	588	588	588
24	CASE RING						
	2x9	1	676-1148	010	208	010	104
	2-1/2x9	1	676-1148	010	208	010	104
	3x9A	1	676-1149	208	208	010	104
	3x9B	1	676-1149	208	208	010	104
	4x9A	1	676-1149	208	208	010	104
	4x9B & 4x11	1	676-1149	208	208	010	104
	5x9 & 5x11	1	676-1149	208	208	010	104
	6x9	1	676-1149	208	208	010	104
	1-1/2x12		NOT REQUIRED				
	2x12 & 2x11	1	676-1148	208	208	010	104
	2-1/2x12	1	676-1148	208	208	010	104
	3x12 & 3x11	12	676-1149	208	208	010	104
25	FLOAT ROD GUIDE (REQ. WHEN #22 IS ORDERED)						
		1	396-0010	087	208	087	087
26	PUMP BEARING		1 136-1402	208	208	010	
	BEARING HOUSING		1 260-0701	087	208	087	104
OPTIONAL RELIEF TYPE BEARINGS COMPLETE ASSY. BEFORE MARCH 1986							
27A	GRAPHITAR	1	032-1246	NOT AVAILABLE USE NEW DESIGN			
27B	CUTLESS RUBBER	1	032-1245				
27C	METAL BUSHING	1	032-1247				
27D	TEFLON	1	032-1248				
28	BUSHING	3	136-1170	540	540	540	540
29	LANTERN RING	1	676-1681	512	512	512	512
30	SNAP RING	1	676-0220	088	104	088	104
31	RETAINING RING	1	676-1996	079	190	079	104
32	BUSHING	2	136-1379	457	457	457	457
33	BUSHING	1	136-1172	208	208	010	104
34	SEAL	1	712-0047	653	653	653	
35	BUSHING	3	136-1172	208	208	010	
36	BUSHING	3	136-1585	522	522	522	522
37	BUSHING	1	136-1172	208	208	010	104

PC. NO.	DESCRIPTION	QTY	PART NO.	MATERIAL			
				B.F.	A.B.	A.I.	S.S.
OPTIONAL RELIEF TYPE BEARINGS COMPLETE ASSY. AFTER MARCH 1986							
27A	GRAPHITAR	1	032-1246	644	643	642	646
27B	CUTLESS RUBBER	1	032-1245	644	643	642	646
27C	METAL BUSHING	1	032-1247	644	643	642	
27D	TEFLON	1	032-1248	644	643	642	646
28	BUSHING	1	136-1170	540	540	540	540
32	BUSHING	2	136-1617	486	486	487	487
33	BUSHING	1	136-1172	208	208	010	104
35	BUSHING	3	136-1172	208	208	010	
36	BUSHING	3	136-1615	485	485	485	485
37	BUSHING	1	136-1625	485	485	485	485
38	NUT	4	544-0115	080	190	080	104
39	CAP SCREW	4	168-0564	080	190	080	104
40	SUPPORT PIPE		REFER TO FACTORY				
41	GUIDE BEARING		136-1402	208	208	010	
42	CAP SCREW	4	168-0490	080	080	080	104
43	COUPLING INSERT		REFER TO SECTION 1000P				
44	SETSCREW		REFER TO SECTION 1000P				
45	COUPLING HALF		REFER TO SECTION 1000P				
46	COUPLING KEY		REFER TO FACTORY				
47	SETSCREW		REFER TO SECTION 1000P				
48	COUPLING HALF		REFER TO SECTION 1000P				
49	COUPLING KEY	1	472-0250	087	087	087	
50	NUT		REFER TO FACTORY				
51	CAP SCREW		REFER TO FACTORY				
52	MOTOR		REFER TO FACTORY				
53	UPPER HEAD						
	143 HP – 256 HP	1	116-0346	010	010	010	010
	284 HP – 326 HP	1	116-0347	010	010	010	010
54	SLINGER	1	764-0401	457	457	457	457
55	LOCKNUT	1	544-1108	080	080	080	080
56	BRG. COLLAR (STD)	1	224-0163	208	208	208	208
	(HIGH THRUST)	1	224-0161	208	208	208	208
57	RETAINING RING	1	676-0289	088	088	088	088
58	BALL BEARING (STD)	1	068-2023	647	647	647	647
	(HIGH THRUST)	1	068-0311	647	647	647	647
58A	SEAL (HIGH THRUST)	1	712-0289	087	087	087	087
59	GREASE SEAL	1	712-0146	653	653	653	653
60	COUPLING		256-2014	062	104	062	104
61	SHAFT (ONE PIECE)		REFER TO FACTORY				
61A	HEAD SHAFT(2 OR 3 PIECE)		REFER TO FACTORY				

PARTS LIST

PC. NO.	DESCRIPTION	QTY	PART NO.	MATERIAL			
				B.F.	A.B.	A.I.	S.S.
61B	LINE SHAFT (3 PIECE)		REFER TO FACTORY				
61C	PUMP SHAFT (2 OR 3 PIECE)		REFER TO FACTORY				
62	SLINGER	1	764-1009	478	478	478	478
63	PIPE PLUG	1	600-0002	087	190	087	104
65	GREASE FITTING	1	508-0002	651	651	651	651
66	NUT	2	544-0109	080	190	080	104
67	GLAND CLAMP	2	204-0120	360	190	360	104
68	GLAND	1	372-0220	010	208	010	104
69	STUD	2	808-0112	082	082	082	104
70	PACKING	6	564-0037	802	802	802	802
71	RING	1	676-1232	190	190	087	104
72	LANTERN RING	1	676-1681	512	512	512	512
73	OILER (OPT)	1	552-0102	652	652	652	652
74	GREASE FITTING	1	508-0002	651	651	651	651
75	ELBOW 2x9-6x9		NOT REQUIRED				
	1-1/2x12 & 1-1/2x11	1	600-0209	387	190	387	104
	2x12-3x12		NOT REQUIRED				
76	ELBOW 2x9	1	300-0016	010	208	010	104
	2-1/2x9	1	300-0010	010	208	010	104
	3x9 & 3x11	1	300-0011	010	208	010	104
	4x9 & 4x11	1	300-0012	010	208	010	104
	5x9 & 5x11	1	300-0017	010	208	010	104
	6x9	1	300-0015	010	208	010	104
	1-1/2x12		NOT REQUIRED				
	2x12 & 2x11	1	300-0016	010	208	010	104
	2-1/2x12	1	300-0010	010	208	010	104
	3x12	1	300-0011	010	208	010	104
77	LOCKNUT 2x9	2	544-0958	028	190	028	104
	2-1/2x9	2	544-0959	028	190	028	104
	3x9	2	544-0960	028	190	028	104
	4x9	2	544-2037	087	190	087	104
	5x9	2	544-2038	087	190	087	104
	6x9	2	544-2039	087	190	087	104
	1-1/2x12	2	544-0957	028	190	028	104
	2x12	2	544-0958	028	190	028	104
	2-1/2x12	2	554-0959	028	190	028	104
	3x12	2	544-0960	028	190	028	104

PC. NO.	DESCRIPTION	QTY	PART NO.	MATERIAL			
				B.F.	A.B.	A.I.	S.S.
78	DISCHARGE PIPE		REFER TO FACTORY				
79	COUPLING		REFER TO FACTORY				
80	CAP SCREW	4	168-0562	080	190	080	104
81	CAP SCREW	4	168-0388	080	080	080	080
82	NAMEPLATE	1	532-0045	114	114	114	114
83	DRIVE SCREW	2	708-0013	365	365	365	365
84	LOWER HEAD	1	116-0439	010	010	010	010
		1	116-0440	010	010	010	010
		4	168-0378	080	080	080	080
85	GASKET	1	364-1254	481	481	481	481
OPTIONAL RELIEF TYPE BEARINGS COMPLETE ASSY. BEFORE MARCH 1986							
86	SPOOL HOUSING	1	260-0726	087	087	087	087
87	LANTERN RING	2	676-1681	512	512	512	512
88	BUSHING	3	136-1379	457	457	457	457
89	SNAP RING	2	676-0220	088	104	088	104
OPTIONAL RELIEF TYPE BEARINGS COMPLETE ASSY. AFTER MARCH 1986							
86	SPOOL HOUSING	1	260-0726	087	087	087	104
88	BUSHING	3	136-1617	486	486	487	487
PARTS NOT SHOWN ON EXPLODED VIEW							
	SWITCH STAND						
	FLOAT ROD						
	FLOAT STOPS						
	FLOAT						
				REFER TO SECTION 1020P FOR FLOAT SWITCH ASSY.			
	CASING FOR SEMI-OPEN IMPELLER						
	2x9	1	180-2193	010	208	010	104
	2-1/2x9	1	180-2154	010	208	010	104
	3x9A	1	180-2194	010	208	010	104
	4x9B	1	180-2158	010	208	010	104
	6x9	1	180-2160	010	208	010	104
	1-1/2x12	1	180-2162	010	208	010	104
	2x12	1	180-2195	010	208	010	104
	2-1/2x12	1	180-2165	010	208	010	104
	3x12	1	180-2165	010	208	010	104
	SEMI-OPEN IMPELLER						
	2x9	1	443-2055	208	208	010	104
	2-1/2x9	1	443-2057	208	208	010	104
	3x9A	1	443-2059	208	208	010	104
	4x9B	1	443-2061	208	208	010	104
	6x9	1	443-2063	208	208	010	104
	1-1/2x12	1	443-1836	208	208	010	104
	2x12	1	443-2064	208	208	010	104
	2-1/2x12	1	443-2065	208	208	010	104
	3x12	1	443-2066	208	208	010	104

AURORA® 530 SERIES
MODELS 531A-532A
2x9 – 6x9 – 1-1/2x11 – 5x11 – 1-1/2x12 – 3x12

Section **530P** Page **14**
 Date **JANUARY 2015**
 Supersedes **NOVEMBER 1993**

PARTS LIST

PC. NO.	DESCRIPTION	QTY	PART NO.	MATERIAL			
				B.F.	A.B.	A.I.	S.S.
	SEMI-OPEN IMPELLER						
	MACHINED 2-1/2x9	1	443-1841	208	208	010	104
	FOR 4x9B	1	443-1847	208	208	010	104
	OPTIONAL 6x9	1	443-1851	208	208	010	104
	RING 2-1/2x12	1	443-1842	208	208	010	104
	3x12	1	443-1844	208	208	010	104
	WEAR RINGS FOR						
	SEMI-OPEN 2-1/2x9	1	676-1133	208	208	010	104
	IMPELLER 4x9B	1	676-1156	208	208	010	104
	6x9	1	676-1156	208	208	010	104
	2-1/2x12	1	676-1133	208	208	010	104
	3x12	1	676-1156	208	208	010	104

WARRANTY

Seller warrants equipment (and its component parts) of its own manufacture against defects in materials and workmanship under normal use and service for one (1) year from the date of installation or start-up, or for eighteen (18) months after the date of shipment, whichever occurs first. Seller does not warrant accessories or components that are not manufactured by Seller; however, to the extent possible, Seller agrees to assign to Buyer its rights under the original manufacturer's warranty, without recourse to Seller. Buyer must give Seller notice in writing of any alleged defect covered by this warranty (together with all identifying details, including the serial number, the type of equipment, and the date of purchase) within thirty (30) days of the discovery of such defect during the warranty period. No claim made more than 30 days after the expiration of the warranty period shall be valid. Guarantees of performance and warranties are based on the use of original equipment manufactured (OEM) replacement parts. Seller assumes no responsibility or liability if alterations, non-authorized design modifications and/or non-OEM replacement parts are incorporated. If requested by Seller, any equipment (or its component parts) must be promptly returned to Seller prior to any attempted repair, or sent to an authorized service station designated by Seller, and Buyer shall prepay all shipping expenses. Seller shall not be liable for any loss or damage to goods in transit, nor will any warranty claim be valid unless the returned goods are received intact and undamaged as a result of shipment. Repaired or replaced material returned to customer will be shipped F.O.B., Seller's factory. Seller will not give Buyer credit for parts or equipment returned to Seller, and will not accept delivery of any such parts or equipment, unless Buyer has obtained Seller's approval in writing. The warranty extends to repaired or replaced parts of Seller's manufacture for ninety (90) days or for the remainder of the original warranty period applicable to the equipment or parts being repaired or replaced, whichever is greater. This warranty applies to the repaired or replaced part and is not extended to the product or any other component of the product being repaired. Repair parts of its own manufacture sold after the original warranty period are warranted for a period of one (1) year from shipment against defects in materials and workmanship under normal use and service. This warranty applies to the replacement part only and is not extended to the product or any other component of the product being repaired. Seller may substitute new equipment or improve part(s) of any equipment judged defective without further liability. All repairs or services performed by Seller, which are not covered by this warranty, will be charged in accordance with Seller's standard prices then in effect.

THIS WARRANTY IS THE SOLE WARRANTY OF SELLER AND SELLER HEREBY EXPRESSLY DISCLAIMS AND BUYER WAIVES ALL OTHER WARRANTIES EXPRESSED, IMPLIED IN LAW OR IMPLIED IN FACT, INCLUDING ANY WARRANTIES OF MERCHANTABILITY OR FITNESS FOR A PARTICULAR PURPOSE. Seller's sole obligation under this warranty shall be, at its option, to repair or replace any equipment (or its component parts) which has a defect covered by this warranty, or to refund the purchase price of such equipment or part. Under the terms of this warranty, Seller shall not be liable for (a) consequential, collateral, special or liquidated losses or damages; (b) equipment conditions caused by normal wear and tear, abnormal conditions of use, accident, neglect, or misuse of said equipment; (c) the expense of, and loss or damage caused by, repairs or alterations made by anyone other than the Seller; (d) damage caused by abrasive materials, chemicals, scale deposits, corrosion, lightning, improper voltage, mishandling, or other similar conditions; (e) any loss, damage, or expense relating to or resulting from installation, removal or reinstallation of equipment; (f) any labor costs or charges incurred in repairing or replacing defective equipment or parts, including the cost of reinstalling parts that are repaired or replaced by Seller; (g) any expense of shipment of equipment or repaired or replacement parts; or (h) any other loss, damage or expense of any nature.

The above warranty shall not apply to any equipment which may be separately covered by any alternate or special warranties.

PERFORMANCE: In the absence of Certified Pump Performance Tests, equipment performance is not warranted or guaranteed. Performance curves and other information submitted to Buyer are approximate and no warranty or guarantee shall be deemed to arise as a result of such submittal. All testing shall be done in accordance with Seller's standard policy under Hydraulic Institute procedures.

LIABILITY LIMITATIONS: Under no circumstances shall the Seller have any liability under the Order or otherwise for liquidated damages or for collateral, consequential or special damages or for loss of profits, or for actual losses or for loss of production or progress of construction, regardless of the cause of such damages or losses. In any event, Seller's aggregate total liability under the Order or otherwise shall not exceed the contract price.

ACTS OF GOD: Seller shall in no event be liable for delays in delivery of the equipment or other failures to perform caused by fires, acts of God, strikes, labor difficulties, acts of governmental or military authorities, delays in transportation or procuring materials, or causes of any kind beyond Seller's control.

COMPLIANCE WITH LAW: Seller agrees to comply with all United States laws and regulations applicable to the manufacturing of the subject equipment. Such compliance shall include: The Fair Labor Standards Acts of 1938, as amended; Equal Employment Opportunity clauses of Executive Order 11246, as amended; Occupational Safety and Health Act of 1970 and the standards promulgated thereunder, if applicable. Since compliance with the various Federal, State, and Local laws and regulations concerning occupational health and safety, pollution or local codes are affected by the use, installation and operation of the equipment and other matters over which Seller has no control, Seller assumes no responsibility for compliance with those laws and regulations, whether by way of indemnity, warranty, or otherwise. It is incumbent upon the Buyer to specify equipment which complies with local codes and ordinances.



AURORA®

800 Airport Road
North Aurora, Illinois 60542
630-859-7000
www.aurorapump.com