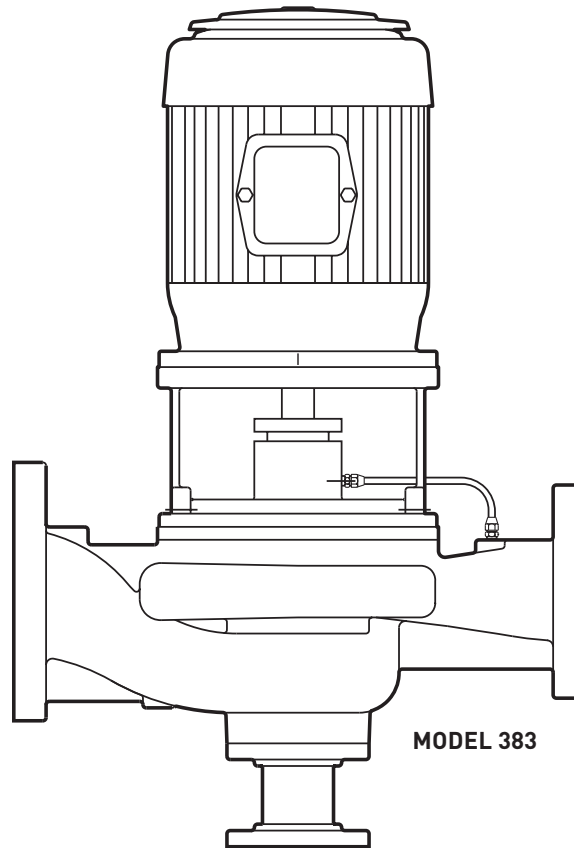




AURORA[®]



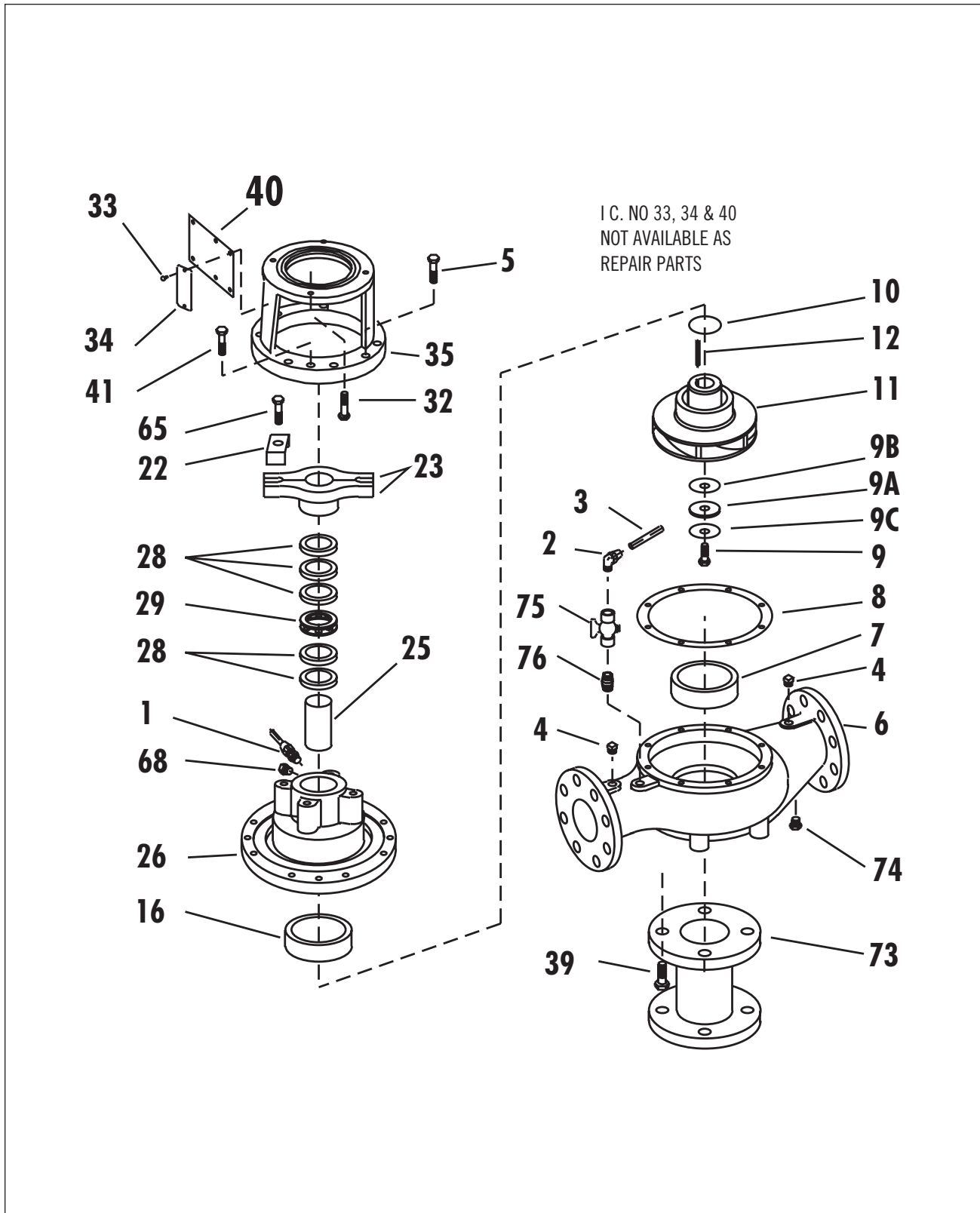
911 SERIES

SINGLE STAGE INLINE FIRE PUMP

REPAIR PARTS INDEX

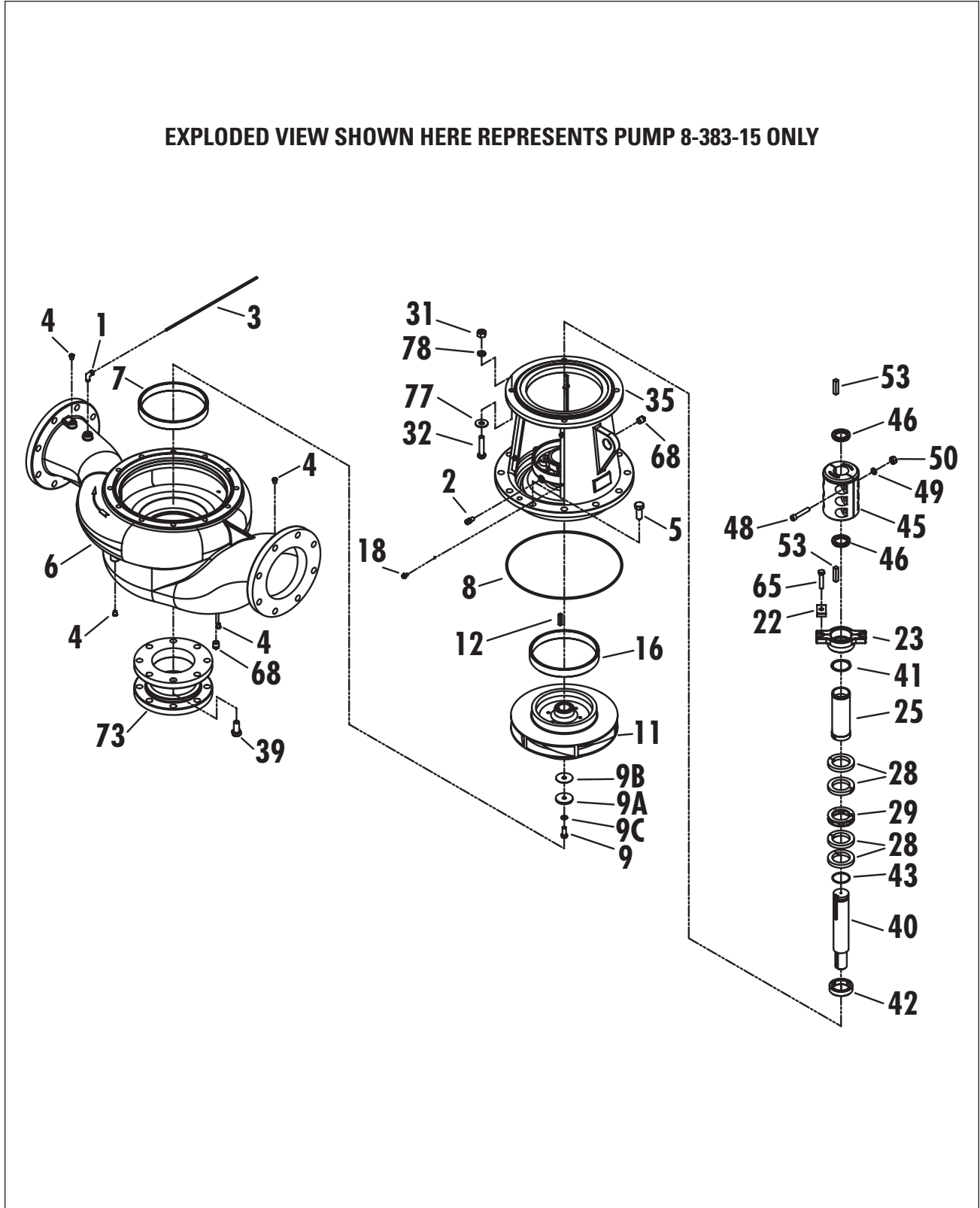
NOTE! Read and understand the pump and motor instructions before attempting to install, disassemble or repair the pump.

PIECE NUMBERS



PIECE NUMBERS

EXPLODED VIEW SHOWN HERE REPRESENTS PUMP 8-383-15 ONLY



PARTS LIST

PC. NO.	DESCRIPTION	QTY	PUMP SIZE		
			3-383-7A PART NUMBER	3-383-7B PART NUMBER	4-383-7B PART NUMBER
1	COMPRESSION FITTING	1	868-3359-190	868-3359-190	868-3359-190
2	COMPRESSION ELBOW	1	868-3360-190	868-3360-190	868-3360-190
3	TUBING (10 Inches Long)	1	872-0124-175	872-0124-175	872-0124-175
4	PIPE PLUG	4	600-0002-087	600-0002-087	600-0002-087
5	CAPSCREW (143JP – 184JP FRAMES)	8	168-0391-082	168-0391-082	168-0391-082
	CAPSCREW (213JP – 256JP FRAMES)	8	168-0389-082	168-0389-082	168-0389-082
	CAPSCREW (284JP – 326JP FRAMES)	8	168-0391-082	168-0391-082	168-0391-082
6	CASING – 125#SUCTION/250#DISCHARGE	1	N/A	N/A	N/A
	CASING – 125#SUCTION/125#DISCHARGE	1	180-2560-010	180-2560-010	180-2561-010
	CASING – 250#SUCTION/250#DISCHARGE	1	N/A	N/A	N/A
7	FRONT CASE WEAR RING	1	676-1152-208	676-1152-208	676-1154-208
8	CASING GASKET	1	364-1014-603	364-1014-603	364-1014-603
9	IMPELLER CAPSCREW – SM BORE	1	168-0382-104	N/A	N/A
	IMPELLER CAPSCREW – LG BORE	1	168-0490-104	168-0490-104	168-0490-104
9A	IMPELLER WASHER – SM BORE	1	908-0603-104	N/A	N/A
	IMPELLER WASHER – LG BORE	1	908-0604-101	908-0604-101	908-0604-101
9B	IMPELLER GASKET – SM BORE	1	364-2034-603	N/A	N/A
	IMPELLER GASKET – LG BORE	1	364-2035-603	364-2035-603	364-2035-603
9C	IMPELLER SEAL – SM BORE	1	908-1290-118	N/A	N/A
	IMPELLER SEAL – LG BORE	1	908-1292-118	908-1292-118	908-1292-118
10	SLEEVE GASKET – SM BORE	1	364-0409-457	N/A	N/A
	SLEEVE GASKET – LG BORE	1	364-0414-457	364-0414-457	364-0414-457
11	IMPELLER – SM BORE	1	443-2034-225	N/A	N/A
	IMPELLER – LG BORE	1	443-2035-225	443-0419-225	443-0472-225
12	IMPELLER KEY – SM BORE	1	472-0201-087	N/A	N/A
	IMPELLER KEY – LG BORE	1	472-0247-087	472-0247-087	472-0247-087
16	BACK CASE WEAR RING – SM BORE	1	676-0003-208	N/A	N/A
	BACK CASE WEAR RING – LG BORE	1	676-1148-208	676-1148-208	676-1148-208
22	GLAND CLAMP	2	204-0116-360	204-0116-360	204-0116-360
23	PACKING GLAND – SM BORE	1	372-0376-208	N/A	N/A
	PACKING GLAND – LG BORE	1	372-0377-208	372-0377-208	372-0377-208
25	SHAFT SLEEVE – SM BORE	1	756-0517-208	N/A	N/A
	SHAFT SLEEVE – LG BORE	1	756-0524-208	756-0524-208	756-0524-208
26	PACKING COVER – SM SHAFT	1	812-1102-010	N/A	N/A
	PACKING COVER – LG SHAFT	1	812-1103-010	812-1103-010	812-1103-010
28	PACKING – SM BORE	6	564-0113-802	N/A	N/A
	PACKING – LG BORE	6	564-0110-802	564-0110-802	564-0110-802
29	LANTERN RING – SM BORE	1	676-0008-512	N/A	N/A
	LANTERN RING – LG BORE	1	676-0009-512	676-0009-512	676-0009-512
32	CAPSCREW (143JP – 184JP FRAMES)	4	168-0386-082	N/A	N/A
	CAPSCREW (213JP – 256JP FRAMES)	4	168-0492-082	168-0492-082	168-0492-082
	CAPSCREW (284JP – 326JP FRAMES)	4	168-0566-082	168-0566-082	168-0566-082
35	BRACKET (143JP – 184JP FRAMES)	1	116-0530-010	N/A	N/A
	BRACKET (213JP – 256JP FRAMES)	1	116-0531-010	116-0531-010	116-0531-010
	BRACKET (284JP – 326JP FRAMES)	1	116-0532-010	116-0532-010	116-0532-010
39	CAPSCREW	4	168-0560-082	168-0560-082	168-0560-082
41	CAPSCREW (143JP – 184JP FRAMES)	4	168-0385-082	N/A	N/A
	CAPSCREW (213JP – 256JP FRAMES)	4	168-0381-082	168-0381-082	168-0381-082
	CAPSCREW (284JP – 326JP FRAMES)	4	168-0383-082	168-0383-082	168-0383-082
65	CAPSCREW	2	168-0496-190	168-0496-190	168-0496-190
68	PIPE PLUG	1	600-0002-087	600-0002-087	600-0002-087
73	PUMP SUPPORT	1	820-1728-087	820-1728-087	820-1728-087
74	PIPE PLUG	1	600-0004-028	600-0004-028	600-0004-028
75	BALL VALVE	1	896-4360-644	896-4360-644	896-4360-644
76	NIPPLE	1	600-1103-387	600-1103-387	600-1103-387

SM BORE = MOTOR FRAME 143JP – 184JP

N/A = NOT AVAILABLE

LG BORE = MOTOR FRAME 213JP – 326 JP

N/R = NOT REQUIRED

**911 SERIES
MODEL 383**

SECTION 911P PAGE 5
DATED DECEMBER 2012

SUPERSEDES 911P PAGE 5
DATED FEBRUARY 2012

PARTS LIST

PC. NO.	DESCRIPTION	QTY	PUMP SIZE		
			2-383-9C PART NUMBER	3-383-9A PART NUMBER	3-383-9 PART NUMBER
1	COMPRESSION FITTING	1	868-3359-190	868-3359-190	868-3359-190
2	COMPRESSION ELBOW	1	868-3360-190	868-3360-190	868-3360-190
3	TUBING (10 Inches Long)	1	872-0124-175	872-0124-175	872-0124-175
4	PIPE PLUG	4	600-0002-087	600-0002-087	600-0002-087
5	CAPSCREW (143JP – 184JP FRAMES)	8	168-0489-082	168-0489-082	168-0489-082
	CAPSCREW (213JP – 326JP FRAMES)	8	168-0495-082	168-0495-082	168-0495-082
6	CASING – 125#SUCTION/250#DISCHARGE	1	180-2526-010	180-2525-010	180-2527-010
	CASING – 125#SUCTION/125#DISCHARGE	1	180-2517-010	180-2523-010	180-2518-010
	CASING – 250#SUCTION/250#DISCHARGE	1	180-2520-010	180-2524-010	180-2521-010
7	FRONT CASE WEAR RING	1	676-1151-208	676-1152-208	676-2104-208
8	CASING GASKET	1	364-1015-603	364-1015-603	364-1015-603
9	IMPELLER CAPSCREW – SM BORE	1	168-0382-104	168-0382-104	168-0382-104
	IMPELLER CAPSCREW – LG BORE	1	168-0490-104	168-0490-104	168-0490-104
9A	IMPELLER WASHER – SM BORE	1	908-0603-104	908-0603-104	908-0603-104
	IMPELLER WASHER – LG BORE	1	908-0604-101	908-0604-101	908-0604-101
9B	IMPELLER GASKET – SM BORE	1	364-2034-603	364-2034-603	364-2034-603
	IMPELLER GASKET – LG BORE	1	364-2035-603	364-2035-603	364-2035-603
9C	IMPELLER SEAL – SM BORE	1	908-1290-118	908-1290-118	908-1290-118
	IMPELLER SEAL – LG BORE	1	908-1292-118	908-1292-118	908-1292-118
10	SLEEVE GASKET – SM BORE	1	364-0409-457	364-0409-457	364-0409-457
	SLEEVE GASKET – LG BORE	1	364-0414-457	364-0414-457	364-0414-457
11	IMPELLER – SM BORE	1	443-0437-225	443-0441-225	443-2748-225
	IMPELLER – LG BORE	1	443-0439-225	443-0443-225	443-2749-225
12	IMPELLER KEY – SM BORE	1	472-0206-087	472-0206-087	472-0206-087
	IMPELLER KEY – LG BORE	1	472-0247-087	472-0247-087	472-0247-087
16	BACK CASE WEAR RING – SM BORE	1	N/R	676-0003-208	N/R
	BACK CASE WEAR RING – LG BORE	1	N/R	676-1148-208	676-1149-208
22	GLAND CLAMP	2	204-0116-360	204-0116-360	204-0116-360
23	PACKING GLAND – SM BORE	1	372-0376-208	372-0376-208	372-0376-208
	PACKING GLAND – LG BORE	1	372-0377-208	372-0377-208	372-0377-208
25	SHAFT SLEEVE – SM BORE	1	756-0517-208	756-0517-208	756-0517-208
	SHAFT SLEEVE – LG BORE	1	756-0524-208	756-0524-208	756-0524-208
26	PACKING COVER – SM SHAFT	1	812-1095-010	812-1095-010	812-1095-010
	PACKING COVER – LG SHAFT	1	812-1096-010	812-1096-010	812-1096-010
28	PACKING – SM BORE	6	564-0113-802	564-0113-802	564-0113-802
	PACKING – LG BORE	6	564-0110-802	564-0110-802	564-0110-802
29	LANTERN RING – SM BORE	1	676-0008-512	676-0008-512	676-0008-512
	LANTERN RING – LG BORE	1	676-0009-512	676-0009-512	676-0009-512
32	CAPSCREW (143JP – 184JP FRAMES)	4	168-0384-080	168-0384-080	168-0384-080
	CAPSCREW (213JP – 256JP FRAMES)	4	168-0492-082	168-0492-082	168-0492-082
	CAPSCREW (284JP – 326JP FRAMES)	4	168-0564-082	168-0564-082	168-0564-082
35	BRACKET (143JP – 184JP FRAMES)	1	116-0078-010	116-0078-010	116-0078-010
	BRACKET (213JP – 256JP FRAMES)	1	116-0503-010	116-0503-010	116-0503-010
	BRACKET (284JP – 326JP FRAMES)	1	116-0504-010	116-0504-010	116-0504-010
39	CAPSCREW	4	168-0560-082	168-0560-082	168-0560-082
41	CAPSCREW (143JP – 184JP FRAMES)	8	168-0382-082	168-0382-082	168-0382-082
	CAPSCREW (213JP – 326JP FRAMES)	4	168-0487-082	168-0487-082	168-0487-082
65	CAPSCREW	2	168-0496-190	168-0496-190	168-0496-190
68	PIPE PLUG	1	600-0002-087	600-0002-087	600-0002-087
73	PUMP SUPPORT	1	820-1727-087	820-1728-087	820-1728-087
74	PIPE PLUG	1	600-0004-028	600-0004-028	600-0004-028
75	BALL VALVE	1	896-4360-644	896-4360-644	896-4360-644
76	NIPPLE	1	600-1103-387	600-1103-387	600-1103-387

SM BORE = MOTOR FRAME 143JP – 184JP N/A = NOT AVAILABLE
LG BORE = MOTOR FRAME 213JP – 326 JP N/R = NOT REQUIRED

**911 SERIES
MODEL 383**

PARTS LIST

PC. NO.	DESCRIPTION	QTY	PUMP SIZE		
			3-383-7C PART NUMBER	3-383-9B PART NUMBER	4-383-7C PART NUMBER
1	COMPRESSION FITTING	1	868-3359-190	868-3359-190	868-3359-190
2	COMPRESSION ELBOW	1	868-3360-190	868-3360-190	868-3360-190
3	TUBING (10 Inches Long)	1	872-0124-175	872-0124-175	872-0124-175
4	PIPE PLUG	4	600-0002-104	600-0002-104	600-0002-104
5	CAPSCREW (143JP – 184JP FRAMES)	8	N/A	N/A	N/A
	CAPSCREW (213JP – 256JP FRAMES)	8	168-0391-082	N/A	N/A
	CAPSCREW (284JP – 326JP FRAMES)	8	N/A	168-0497-082	168-0391-082
6	CASING – 125#SUCTION/250#DISCHARGE	1	N/A	N/A	N/A
	CASING – 125#SUCTION/125#DISCHARGE	1	180-2750-055	180-2751-055	180-2561-010
	CASING – 250#SUCTION/250#DISCHARGE	1	N/A	N/A	N/A
7	FRONT CASE WEAR RING	1	676-2153-208	676-2153-208	676-1154-208
8	CASING GASKET	1	364-1014-603	364-1015-603	364-1014-603
9	IMPELLER CAPSCREW – SM BORE	1	N/A	N/A	N/A
	IMPELLER CAPSCREW – LG BORE	1	168-0490-104	168-0490-104	168-0490-104
9A	IMPELLER WASHER – SM BORE	1	N/A	N/A	N/A
	IMPELLER WASHER – LG BORE	1	908-0604-101	908-0604-101	908-0604-101
9B	IMPELLER GASKET – SM BORE	1	N/A	N/A	N/A
	IMPELLER GASKET – LG BORE	1	364-2035-603	364-2035-603	364-2035-603
9C	IMPELLER SEAL – SM BORE	1	N/A	N/A	N/A
	IMPELLER SEAL – LG BORE	1	908-1292-118	908-1292-118	908-1292-118
10	SLEEVE GASKET – SM BORE	1	N/A	N/A	N/A
	SLEEVE GASKET – LG BORE	1	364-0414-457	364-0414-457	364-0414-457
11	IMPELLER – SM BORE	1	N/A	N/A	N/A
	IMPELLER – LG BORE	1	444-3168-208	444-3169-208	444-3167-208
12	IMPELLER KEY – SM BORE	1	N/A	N/A	N/A
	IMPELLER KEY – LG BORE	1	472-0247-087	472-0247-087	472-0247-087
16	BACK CASE WEAR RING – SM BORE	1	N/A	N/A	N/A
	BACK CASE WEAR RING – LG BORE	1	676-1148-208	676-1149-208	676-1148-208
22	GLAND CLAMP	2	204-0116-104	204-0116-104	204-0116-104
23	PACKING GLAND – SM BORE	1	N/A	N/A	N/A
	PACKING GLAND – LG BORE	1	372-0377-208	372-0377-208	372-0377-208
25	SHAFT SLEEVE – SM BORE	1	N/A	N/A	N/A
	SHAFT SLEEVE – LG BORE	1	756-0524-208	756-0524-208	756-0524-208
26	PACKING COVER – SM SHAFT	1	N/A	N/A	N/A
	PACKING COVER – LG SHAFT	1	812-1103-010	812-1096-010	812-1103-010
28	PACKING – SM BORE	6	N/A	N/A	N/A
	PACKING – LG BORE	6	564-0110-802	564-0110-802	564-0110-802
29	LANTERN RING – SM BORE	1	N/A	N/A	N/A
	LANTERN RING – LG BORE	1	676-0009-512	676-0009-512	676-0009-512
32	CAPSCREW (143JP – 184JP FRAMES)	4	N/A	N/A	N/A
	CAPSCREW (213JP – 256JP FRAMES)	4	168-0492-082	N/A	N/A
	CAPSCREW (284JP – 326JP FRAMES)	4	N/A	168-0562-082	168-0562-082
35	BRACKET (143JP – 184JP FRAMES)	1	N/A	N/A	N/A
	BRACKET (213JP – 256JP FRAMES)	1	116-0531-010	N/A	N/A
	BRACKET (284JP – 326JP FRAMES)	1	N/A	116-0504-010	116-0532-010
39	CAPSCREW	4	168-0560-082	168-0560-082	168-0560-082
41	CAPSCREW (143JP – 184JP FRAMES)	4	N/A	N/A	N/A
	CAPSCREW (213JP – 256JP FRAMES)	4	168-0385-082	N/A	N/A
	CAPSCREW (284JP – 326JP FRAMES)	4	N/A	168-0489-082	168-0385-082
65	CAPSCREW	2	168-0496-190	168-0496-190	168-0496-190
68	PIPE PLUG	1	600-0002-104	600-0002-104	600-0002-104
73	PUMP SUPPORT	1	820-1728-087	820-1728-087	820-1728-087
74	PIPE PLUG	1	600-0004-104	600-0004-104	600-0004-104
75	BALL VALVE	1	896-4360-644	896-4360-644	896-4360-644
76	NIPPLE	1	600-1103-387	600-1103-387	600-1103-387

SM BORE = MOTOR FRAME 143JP – 184JP

LG BORE = MOTOR FRAME 213JP – 326 JP

N/A = NOT AVAILABLE

N/R = NOT REQUIRED

**911 SERIES
MODEL 383**

SECTION 911P PAGE 7
DATED DECEMBER 2012

SUPERSEDES 911P PAGE 7
DATED FEBRUARY 2012

PARTS LIST

PC. NO.	DESCRIPTION	QTY	PUMP SIZE		
			4-383-9 PART NUMBER	4-383-9B PART NUMBER	4-383-9C PART NUMBER
1	COMPRESSION FITTING	1	868-3359-190	868-3359-190	868-3359-190
2	COMPRESSION ELBOW	1	868-3360-190	868-3360-190	868-3360-190
3	TUBING (10 Inches Long)	1	872-0124-175	872-0124-175	872-0124-175
4	PIPE PLUG	4	600-0002-087	600-0002-087	600-0002-087
5	CAPSCREW (143JP – 184JP FRAMES)	8	168-0489-082	168-0489-082	168-0489-082
	CAPSCREW (213JP – 326JP FRAMES)	8	168-0495-082	168-0495-082	168-0495-082
6	CASING – 125#SUCTION/250#DISCHARGE	1	180-2528-010	180-2528-010	N/A
	CASING – 125#SUCTION/125#DISCHARGE	1	180-2519-010	180-2519-010	180-2563-010
	CASING – 250#SUCTION/250#DISCHARGE	1	180-2522-010	180-2522-010	N/A
7	FRONT CASE WEAR RING	1	676-1154-208	676-2115-208	676-2115-208
8	CASING GASKET	1	364-1015-603	364-1015-603	364-1015-603
9	IMPELLER CAPSCREW – SM BORE	1	168-0382-104	N/A	N/A
	IMPELLER CAPSCREW – LG BORE	1	168-0490-104	168-0490-104	168-0490-104
9A	IMPELLER WASHER – SM BORE	1	908-0603-104	N/A	N/A
	IMPELLER WASHER – LG BORE	1	908-0604-101	908-0604-101	908-0604-101
9B	IMPELLER GASKET – SM BORE	1	364-2034-603	N/A	N/A
	IMPELLER GASKET – LG BORE	1	364-2035-603	364-2035-603	364-2035-603
9C	IMPELLER SEAL – SM BORE	1	908-1290-118	N/A	N/A
	IMPELLER SEAL – LG BORE	1	908-1292-118	908-1292-118	908-1292-118
10	SLEEVE GASKET – SM BORE	1	364-0409-457	N/A	N/A
	SLEEVE GASKET – LG BORE	1	364-0414-457	364-0414-457	364-0414-457
11	IMPELLER – SM BORE	1	443-2750-225	N/A	N/A
	IMPELLER – LG BORE	1	443-2751-225	443-2957-225	443-2962-225
12	IMPELLER KEY – SM BORE	1	472-0206-087	N/A	N/A
	IMPELLER KEY – LG BORE	1	472-0247-087	472-0247-087	472-0247-087
16	BACK CASE WEAR RING – SM BORE	1	N/R	N/A	N/A
	BACK CASE WEAR RING – LG BORE	1	676-1149-208	676-1149-208	676-1148-208
22	GLAND CLAMP	2	204-0116-360	204-0116-360	204-0116-360
23	PACKING GLAND – SM BORE	1	372-0376-208	N/A	N/A
	PACKING GLAND – LG BORE	1	372-0377-208	372-0377-208	372-0377-208
25	SHAFT SLEEVE – SM BORE	1	756-0517-208	N/A	N/A
	SHAFT SLEEVE – LG BORE	1	756-0524-208	756-0524-208	756-0524-208
26	PACKING COVER – SM SHAFT	1	812-1095-010	N/A	N/A
	PACKING COVER – LG SHAFT	1	812-1096-010	812-1096-010	812-1096-010
28	PACKING – SM BORE	6	564-0113-802	N/A	N/A
	PACKING – LG BORE	6	564-0110-802	564-0110-802	564-0110-802
29	LANTERN RING – SM BORE	1	676-0008-512	N/A	N/A
	LANTERN RING – LG BORE	1	676-0009-512	676-0009-512	676-0009-512
32	CAPSCREW (143JP – 184JP FRAMES)	4	168-0384-080	N/A	N/A
	CAPSCREW (213JP – 256JP FRAMES)	4	168-0492-082	168-0492-082	168-0492-082
	CAPSCREW (284JP – 326JP FRAMES)	4	168-0564-082	168-0564-082	168-0564-082
35	BRACKET (143JP – 184JP FRAMES)	1	116-0078-010	N/A	N/A
	BRACKET (213JP – 256JP FRAMES)	1	116-0503-010	116-0503-010	116-0503-010
	BRACKET (284JP – 326JP FRAMES)	1	116-0504-010	116-0504-010	116-0504-010
39	CAPSCREW	4	168-0560-082	168-0560-082	168-0560-082
41	CAPSCREW (143JP – 184JP FRAMES)	8	168-0382-082	N/A	N/A
	CAPSCREW (213JP – 326JP FRAMES)	4	168-0487-082	168-0487-082	168-0487-082
65	CAPSCREW	2	168-0496-190	168-0496-190	168-0496-190
68	PIPE PLUG	1	600-0002-087	600-0002-087	600-0002-087
73	PUMP SUPPORT	1	820-1728-087	820-1728-087	820-1728-087
74	PIPE PLUG	1	600-0004-028	600-0004-028	600-0004-028
75	BALL VALVE	1	896-4360-387	896-4360-387	896-4360-387
76	NIPPLE	1	600-1103-387	600-1103-387	600-1103-387

SM BORE = MOTOR FRAME 143JP – 184JP N/A = NOT AVAILABLE
LG BORE = MOTOR FRAME 213JP – 326 JP N/R = NOT REQUIRED

**911 SERIES
MODEL 383**

PARTS LIST

PC. NO.	DESCRIPTION	QTY	PUMP SIZE		
			4-383-10 PART NUMBER	4-383-10B PART NUMBER	4-383-13 PART NUMBER
1	COMPRESSION FITTING	1	868-3359-190	868-3359-190	868-3359-190
2	COMPRESSION ELBOW	1	868-3360-190	868-3360-190	868-3360-190
3	TUBING (10 Inches Long)	1	872-0124-175	872-0124-175	872-0124-175
4	PIPE PLUG	4	600-0002-087	600-0002-087	600-0002-087
5	CAPSCREW (284JP – 326JP FRAMES)	8	168-0495-082	168-0495-082	168-0495-082
	CAPSCREW (364JP – 365JP FRAMES)	8	168-0495-082	168-0495-082	168-0493-082
6	CASING – 125#SUCTION/250#DISCHARGE	1	180-2556-010	180-2587-010	N/A
	CASING – 125#SUCTION/125#DISCHARGE	1	180-2554-010	180-2585-010	180-2557-010
	CASING – 250#SUCTION/250#DISCHARGE	1	180-2555-010	180-2586-010	N/A
7	FRONT CASE WEAR RING	1	676-2113-208	676-2117-208	676-2114-208
8	CASING GASKET	1	364-2128-603	364-2128-603	364-2129-603
9	IMPELLER CAPSCREW – LG BORE	1	168-0490-104	168-0490-104	168-0490-104
	IMPELLER CAPSCREW – XLG BORE	1	168-0490-104	168-0490-104	168-0490-104
9A	IMPELLER WASHER – LG BORE	1	908-0604-101	908-0604-101	908-0604-101
	IMPELLER WASHER – XLG BORE	1	908-1326-104	908-1326-104	908-1326-104
9B	IMPELLER GASKET – LG BORE	1	364-2035-603	364-2035-603	364-2035-603
	IMPELLER GASKET – XLG BORE	1	364-2046-603	364-2046-603	364-2046-603
9C	IMPELLER SEAL – LG BORE	1	908-1292-118	908-1292-118	908-1292-118
	IMPELLER SEAL – XLG BORE	1	908-1292-118	908-1292-118	908-1292-118
10	SLEEVE GASKET – LG BORE	1	364-0414-457	364-0414-457	364-0414-457
	SLEEVE GASKET – XLG BORE	1	364-0419-457	364-0419-457	364-0419-457
11	IMPELLER – LG BORE	1	443-2955-225	443-2964-225	443-2953-225
	IMPELLER – XLG BORE	1	443-2956-225	443-2965-225	443-2954-225
12	IMPELLER KEY – LG BORE	1	472-0247-087	472-0247-087	472-0247-087
	IMPELLER KEY – XLG BORE	1	472-0318-087	472-0318-087	472-0318-087
16	BACK CASE WEAR RING – LG BORE	1	676-1149-208	676-1149-208	676-1149-208
	BACK CASE WEAR RING – XLG BORE	1	676-1149-208	676-1149-208	676-1149-208
22	GLAND CLAMP	2	204-0116-360	204-0116-360	204-0116-360
23	PACKING GLAND – LG BORE	1	372-0377-208	372-0377-208	372-0377-208
	PACKING GLAND – XLG BORE	1	372-0544-208	372-0544-208	372-0544-208
25	SHAFT SLEEVE – LG BORE	1	756-0524-208	756-0524-208	756-0524-208
	SHAFT SLEEVE – XLG BORE	1	756-0687-208	756-0687-208	756-0687-208
26	PACKING COVER – LG BORE	1	812-1101-010	812-1101-010	812-1099-010
	PACKING COVER – XLG BORE	1	812-1100-010	812-1100-010	812-1098-010
28	PACKING – LG BORE	6	564-0110-802	564-0110-802	564-0110-802
	PACKING – XLG BORE	6	564-0154-802	564-0154-802	564-0154-802
29	LANTERN RING – LG BORE	1	676-0009-512	676-0009-512	676-0009-512
	LANTERN RING – XLG BORE	1	676-0972-512	676-0972-512	676-0972-512
32	CAPSCREW (284JP – 365JP FRAMES)	4	168-0564-082	168-0564-082	168-0564-082
35	BRACKET (284JP – 326JP FRAMES)	1	116-0524-010	116-0524-010	116-0524-010
	BRACKET (364JP – 365JP FRAMES)	1	116-0524-010	116-0524-010	116-0524-010
39	CAPSCREW	4	168-0560-082	168-0560-082	168-0560-082
41	CAPSCREW (284JP – 365JP FRAMES)	4	168-0490-082	168-0490-082	168-0490-082
65	CAPSCREW	2	168-0496-190	168-0496-190	168-0496-190
68	PIPE PLUG	1	600-0002-087	600-0002-087	600-0002-087
73	PUMP SUPPORT	1	820-1754-087	820-1754-087	820-1754-087
74	PIPE PLUG	1	600-0004-028	600-0004-028	600-0004-028
75	BALL VALVE	1	896-4360-644	896-4360-644	896-4360-644
76	NIPPLE	1	600-1103-387	600-1103-387	600-1103-387

SM BORE = MOTOR FRAME 143JP – 184JP N/A = NOT AVAILABLE
 LG BORE = MOTOR FRAME 213JP – 326 JP N/R = NOT REQUIRED

911 SERIES MODEL 383

SECTION 911P PAGE 9
DATED DECEMBER 2012

SUPERSEDES 911P PAGE 9
DATED FEBRUARY 2012

PARTS LIST

PC. NO.	DESCRIPTION	QTY	PUMP SIZE	
			8-383-18 PART NUMBER	8-383-18A PART NUMBER
1	COMPRESSION FITTING	1	868-3359-190	868-3359-190
2	COMPRESSION ELBOW	1	868-3360-190	868-3360-190
3	TUBING (10 Inches Long)	1	872-0124-175	872-0124-175
4	PIPE PLUG	4	600-0002-104	600-0002-104
5	CAPSCREW (364 – 405 TCZ FRAMES)	12	168-0642-082	168-0642-082
	CAPSCREW (444 & LARGER FRAMES)	12	168-0642-082	168-0642-082
6	CASING – 125#SUCTION/250#DISCHARGE	1	N/A	N/A
	CASING – 125#SUCTION/125#DISCHARGE	1	180-2755-055	180-2755-055
	CASING – 250#SUCTION/250#DISCHARGE	1	N/A	N/A
7	FRONT CASE WEAR RING	1	676-2036-222	676-2036-222
8	CASING GASKET	1	364-7529-603	364-7529-603
9	IMPELLER CAPSCREW – LG BORE	1	N/A	N/A
	IMPELLER CAPSCREW – X LG BORE	1	168-0492-104	168-0492-104
9A	IMPELLER WASHER – LG BORE	1	N/A	N/A
	IMPELLER WASHER – X LG BORE	1	908-1326-104	908-1326-104
9B	IMPELLER GASKET – LG BORE	1	N/A	N/A
	IMPELLER GASKET – X LG BORE	1	364-2046-603	364-2046-603
9C	IMPELLER SEAL – LG BORE	1	N/A	N/A
	IMPELLER SEAL – X LG BORE	1	908-1292-118	908-1292-118
10	SLEEVE GASKET – LG BORE	1	N/A	N/A
	SLEEVE GASKET – X LG BORE	1	364-0419-457	364-0419-457
11	IMPELLER – LG BORE	1	N/A	N/A
	IMPELLER – X LG BORE	1	444-3177-208	444-3178-208
12	IMPELLER KEY – LG BORE	1	N/A	N/A
	IMPELLER KEY – X LG BORE	1	472-0318-087	472-0318-087
16	BACK CASE WEAR RING – LG BORE	1	N/A	N/A
	BACK CASE WEAR RING – X LG BORE	1	676-2036-222	676-2036-222
22	GLAND CLAMP	2	204-0116-104	204-0116-104
23	PACKING GLAND – LG BORE	1	N/A	N/A
	PACKING GLAND – X LG BORE	1	372-0544-208	372-0544-208
25	SHAFT SLEEVE – LG BORE	1	N/A	N/A
	SHAFT SLEEVE – X LG BORE	1	756-0687-208	756-0687-208
26	PACKING COVER – LG SHAFT	1	N/A	N/A
	PACKING COVER – X LG SHAFT	1	812-1115-010	812-1115-010
28	PACKING – LG BORE	6	N/A	N/A
	PACKING – X LG BORE	6	564-0154-802	564-0154-802
29	LANTERN RING – LG BORE	1	N/A	N/A
	LANTERN RING – X LG BORE	1	676-0972-512	676-0972-512
32	CAPSCREW (364 – 405 TCZ FRAMES)	4	168-0564-082	168-0564-082
	CAPSCREW (444 & LARGER FRAMES)	8	168-0564-082	168-0564-082
35	BRACKET (364 – 405 TCZ FRAMES)	1	116-0664-010	116-0664-010
	BRACKET (444 & LARGER TCZ FRAMES)	1	116-0660-010	116-0660-010
39	CAPSCREW	4	168-0634-082	168-0634-082
41	CAPSCREW (364 – 405 TCZ FRAMES)	4	168-0636-082	168-0636-082
	CAPSCREW (444 & LARGER TCZ FRAMES)	4	168-0636-082	168-0636-082
65	CAPSCREW	2	168-0496-190	168-0496-190
68	PIPE PLUG	1	600-0002-104	600-0002-104
73	PUMP SUPPORT	1	820-1755-087	820-1755-087
74	PIPE PLUG	1	600-0004-104	600-0004-104
75	BALL VALVE	1	896-4360-644	896-4360-644
76	NIPPLE	1	600-1103-387	600-1103-387

SM BORE = MOTOR FRAME 143JP – 184JP N/A = NOT AVAILABLE
LG BORE = MOTOR FRAME 213JP – 326 JP N/R = NOT REQUIRED

PARTS LIST

PC. NO.	DESCRIPTION	QTY	PUMP SIZE
			8-383-15 PART NUMBER
1	COMPRESSION ELBOW	1	868-3660-190
2	COMPRESSION CONNECTOR	1	868-3359-190
3	TUBING	1	872-0124-175
4	PIPE PLUG	4	600-0002-087
5	CAPSCREW	12	168-0636-082
6	CASING – 125#SUCTION/250#DISCHARGE	1	N/A
	CASING – 125#SUCTION/125#DISCHARGE	1	180-2595-010
	CASING – 250#SUCTION/250#DISCHARGE	1	N/A
7	FRONT CASE WEAR RING	1	676-2036-208
8	O-RING	1	364-0557-457
9	IMPELLER CAPSCREW	1	168-0490-113
9A	IMPELLER WASHER	1	908-1326-104
9B	IMPELLER GASKET	1	364-2046-603
9C	IMPELLER SEAL	1	908-1292-118
11	IMPELLER	1	443-3088-208
12	IMPELLER KEY	1	472-0318-087
16	BACK CASE WEAR RING	1	676-2036-208
17	COUPLING GUARD	2	392-0677-114
18	GUARD MOUNTING SCREW	8	168-1000-080
22	GLAND CLAMP	2	204-0121-190
23	PACKING GLAND	1	372-0065-208
25	SHAFT SLEEVE	1	756-0829-107
28	PACKING	4	564-0179-802
29	LANTERN RING	1	676-1462-512
31	HEX NUT	4	544-0115-080
32	CAPSCREW	4	168-0574-082
35	BRACKET	1	116-0592-010
39	CAPSCREW	4	168-0634-082
40	SHAFT	1	728-7501-063
41	RETAINING RING	1	676-0294-088
42	THROTTLE BUSHING	1	136-1674-560
43	GLAND O-RING	1	364-0419-457
45	SPLIT COUPLING	1	256-2865-320
46	ANNULAR KEY	2	472-1161-087
48	CAPSCREW	6	168-0169-082
49	LOCK WASHER	6	908-0163-088
50	HEX NUT	6	544-0113-080
53	PUMP COUPLING KEY	2	472-0357-087
65	CAPSCREW	2	168-0500-104
68	PIPE PLUG	2	600-0004-028
73	PUMP SUPPORT	1	820-1755-079
77	PLAIN WASHER	4	908-0116-080
78	SPRING LOCK WASHER	4	908-0165-088

*Refer to exploded view on page 3 for pump 8-383-15.

THIS PAGE INTENTIONALLY LEFT BLANK

WARRANTY

Seller warrants equipment (and its component parts) of its own manufacture against defects in materials and workmanship under normal use and service for one (1) year from the date of installation or start-up, or for eighteen (18) months after the date of shipment, whichever occurs first. Seller does not warrant accessories or components that are not manufactured by Seller; however, to the extent possible, Seller agrees to assign to Buyer its rights under the original manufacturer's warranty, without recourse to Seller. Buyer must give Seller notice in writing of any alleged defect covered by this warranty (together with all identifying details, including the serial number, the type of equipment, and the date of purchase) within thirty (30) days of the discovery of such defect during the warranty period. No claim made more than 30 days after the expiration of the warranty period shall be valid. Guarantees of performance and warranties are based on the use of original equipment manufactured (OEM) replacement parts. Seller assumes no responsibility or liability if alterations, non-authorized design modifications and/or non-OEM replacement parts are incorporated. If requested by Seller, any equipment (or its component parts) must be promptly returned to Seller prior to any attempted repair, or sent to an authorized service station designated by Seller, and Buyer shall prepay all shipping expenses. Seller shall not be liable for any loss or damage to goods in transit, nor will any warranty claim be valid unless the returned goods are received intact and undamaged as a result of shipment. Repaired or replaced material returned to customer will be shipped F.O.B., Seller's factory. Seller will not give Buyer credit for parts or equipment returned to Seller, and will not accept delivery of any such parts or equipment, unless Buyer has obtained Seller's approval in writing. The warranty extends to repaired or replaced parts of Seller's manufacture for ninety (90) days or for the remainder of the original warranty period applicable to the equipment or parts being repaired or replaced, whichever is greater. This warranty applies to the repaired or replaced part and is not extended to the product or any other component of the product being repaired. Repair parts of its own manufacture sold after the original warranty period are warranted for a period of one (1) year from shipment against defects in materials and workmanship under normal use and service. This warranty applies to the replacement part only and is not extended to the product or any other component of the product being repaired. Seller may substitute new equipment or improve part(s) of any equipment judged defective without further liability. All repairs or services performed by Seller, which are not covered by this warranty, will be charged in accordance with Seller's standard prices then in effect.

THIS WARRANTY IS THE SOLE WARRANTY OF SELLER AND SELLER HEREBY EXPRESSLY DISCLAIMS AND BUYER WAIVES ALL OTHER WARRANTIES EXPRESSED, IMPLIED IN LAW OR IMPLIED IN FACT, INCLUDING ANY WARRANTIES OF MERCHANTABILITY OR FITNESS FOR A PARTICULAR PURPOSE. Seller's sole obligation under this warranty shall be, at its option, to repair or replace any equipment (or its component parts) which has a defect covered by this warranty, or to refund the purchase price of such equipment or part. Under the terms of this warranty, Seller shall not be liable for (a) consequential, collateral, special or liquidated losses or damages; (b) equipment conditions caused by normal wear and tear, abnormal conditions of use, accident, neglect, or misuse of said equipment; (c) the expense of, and loss or damage caused by, repairs or alterations made by anyone other than the Seller; (d) damage caused by abrasive materials, chemicals, scale deposits, corrosion, lightning, improper voltage, mishandling, or other similar conditions; (e) any loss, damage, or expense relating to or resulting from installation, removal or reinstallation of equipment; (f) any labor costs or charges incurred in repairing or replacing defective equipment or parts, including the cost of reinstalling parts that are repaired or replaced by Seller; (g) any expense of shipment of equipment or repaired or replacement parts; or (h) any other loss, damage or expense of any nature.

The above warranty shall not apply to any equipment which may be separately covered by any alternate or special warranties.

PERFORMANCE: In the absence of Certified Pump Performance Tests, equipment performance is not warranted or guaranteed. Performance curves and other information submitted to Buyer are approximate and no warranty or guarantee shall be deemed to arise as a result of such submittal. All testing shall be done in accordance with Seller's standard policy under Hydraulic Institute procedures.

LIABILITY LIMITATIONS: Under no circumstances shall the Seller have any liability under the Order or otherwise for liquidated damages or for collateral, consequential or special damages or for loss of profits, or for actual losses or for loss of production or progress of construction, regardless of the cause of such damages or losses. In any event, Seller's aggregate total liability under the Order or otherwise shall not exceed the contract price.

ACTS OF GOD: Seller shall in no event be liable for delays in delivery of the equipment or other failures to perform caused by fires, acts of God, strikes, labor difficulties, acts of governmental or military authorities, delays in transportation or procuring materials, or causes of any kind beyond Seller's control.

COMPLIANCE WITH LAW: Seller agrees to comply with all United States laws and regulations applicable to the manufacturing of the subject equipment. Such compliance shall include: The Fair Labor Standards Acts of 1938, as amended; Equal Employment Opportunity clauses of Executive Order 11246, as amended; Occupational Safety and Health Act of 1970 and the standards promulgated thereunder, if applicable. Since compliance with the various Federal, State, and Local laws and regulations concerning occupational health and safety, pollution or local codes are affected by the use, installation and operation of the equipment and other matters over which Seller has no control, Seller assumes no responsibility for compliance with those laws and regulations, whether by way of indemnity, warranty, or otherwise. It is incumbent upon the Buyer to specify equipment which complies with local codes and ordinances.



AURORA®

800 Airport Road
North Aurora, Illinois 60542

630-859-7000

www.aurorapump.com