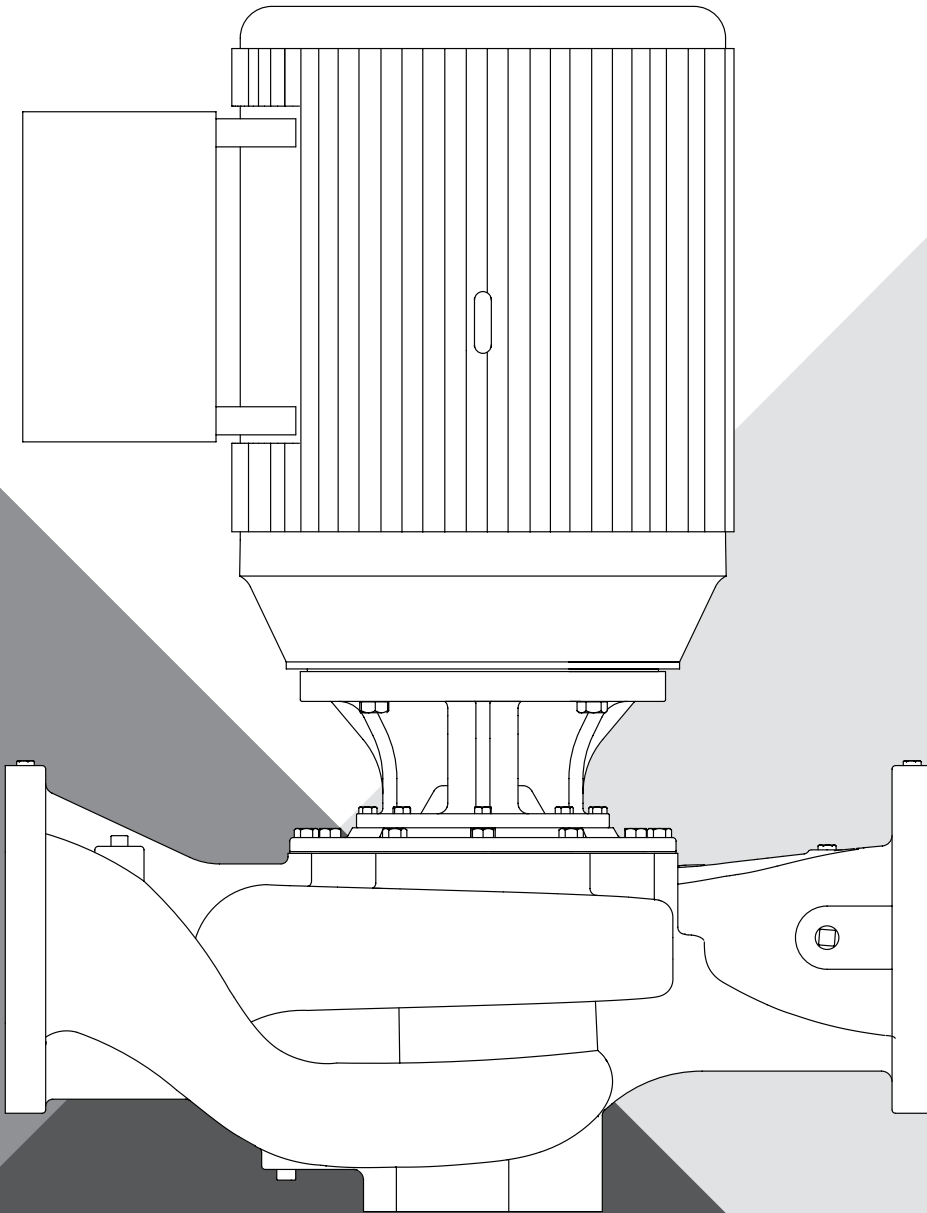




VERTICAL IN-LINE CLOSE COUPLED 382B-CC SERIES



REPAIR PARTS INDEX

pentair.com

TABLE OF CONTENTS:

DESCRIPTION	
Exploded View with Piece Numbers	3
PUMP SIZE.....	
1.5 x 1.5 x 7 through 6 x 6 x 7A Part Numbers	4
1.5 x 1.5 x 9.5 through 8 x 8 x 9.5A Part Numbers.....	5
2 x 2 x 11 through 8 x 8 x 11A Part Numbers.....	6
3 x 3 x 13.5 through 10 x 10 x 13.5A Part Numbers.....	7
Standard Limited Warranty	8

NOTE: To determine when to use **(S)**, **(L)** or **(XL)** parts, in addition to the pump size, it is also necessary to have the motor frame.

MOTOR FRAMES:

- Motor Frames 143–215 use (S) parts.
- Motor Frames 254–326 use (L) parts.
- Motor Frames 364–449 use (XL) parts.

Notice: Read and understand the pump and motor instructions available in the Pentair Aurora 382B In-Line Closed Coupled Pump Installation and Operational Manual before attempting to install, disassemble or repair the pump.

EXPLODED VIEW WITH PIECE NUMBERS

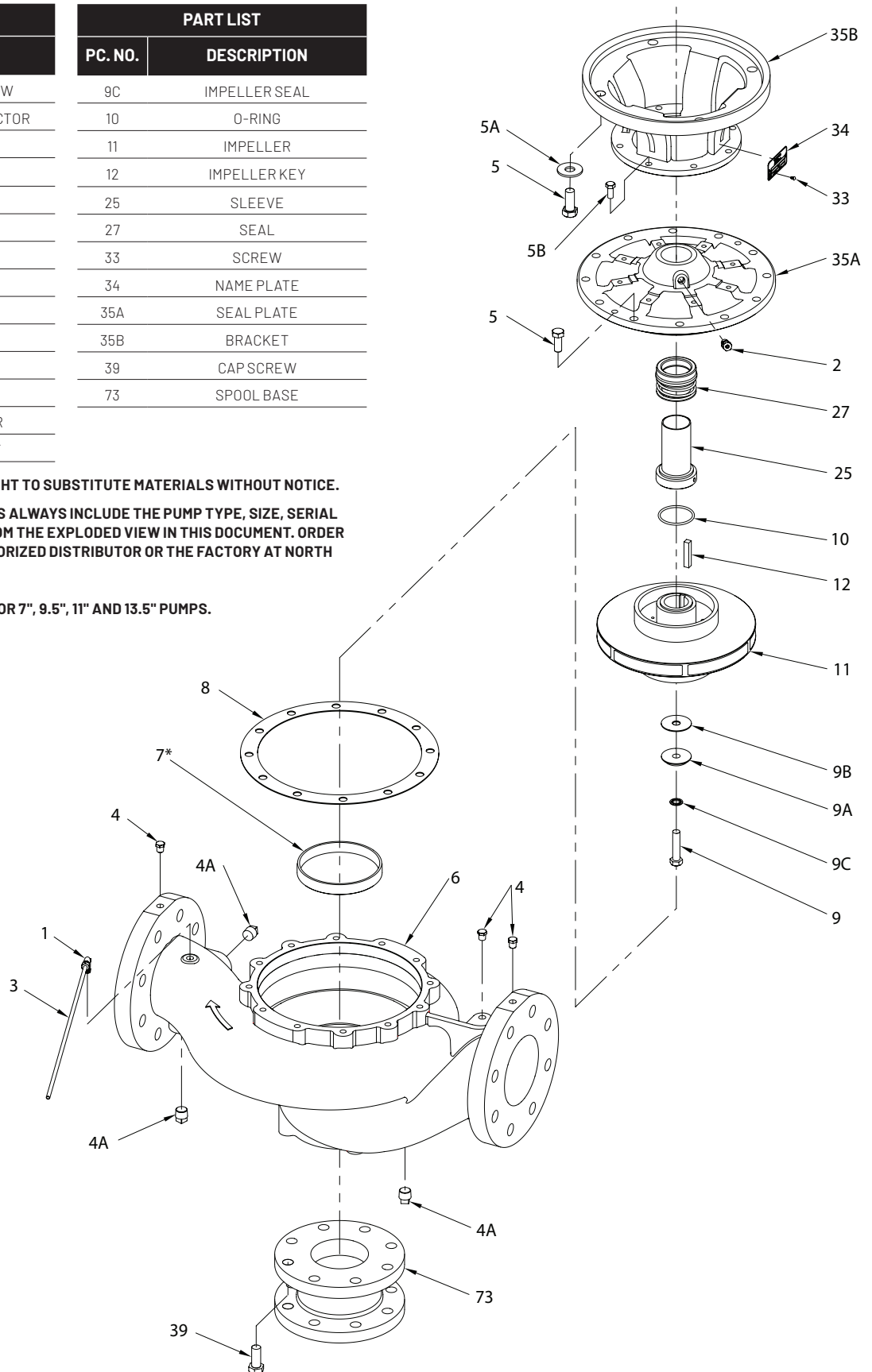
PART LIST	
PC. NO.	DESCRIPTION
1	COMPRESSION ELBOW
2	COMPRESSION CONNECTOR
3	TUBING
4	PIPE PLUG
4A	PIPE PLUG
5	CAP SCREW
5A	WASHER
5B	CAP SCREW
6	CASING
7	CASE WEAR RING
8	CASING GASKET
9	IMPELLER SCREW
9A	IMPELLER WASHER
9B	IMPELLER GASKET

PART LIST	
PC. NO.	DESCRIPTION
9C	IMPELLER SEAL
10	O-RING
11	IMPELLER
12	IMPELLER KEY
25	SLEEVE
27	SEAL
33	SCREW
34	NAME PLATE
35A	SEAL PLATE
35B	BRACKET
39	CAP SCREW
73	SPOOL BASE

PENTAIR AURORA RESERVES THE RIGHT TO SUBSTITUTE MATERIALS WITHOUT NOTICE.

NOTE: WHEN ORDERING SPARE PARTS ALWAYS INCLUDE THE PUMP TYPE, SIZE, SERIAL NUMBER AND THE PIECE NUMBER FROM THE EXPLODED VIEW IN THIS DOCUMENT. ORDER ALL PARTS FROM YOUR LOCAL AUTHORIZED DISTRIBUTOR OR THE FACTORY AT NORTH AURORA, ILLINOIS.

NOTE: * MARKED ITEM IS OPTIONAL FOR 7", 9.5", 11" AND 13.5" PUMPS.



1.5 x 1.5 x 7 THROUGH 6 x 6 x 7A PART NUMBERS

PC. NO.	DESCRIPTION	QTY	1.5x1.5x7	2 x 2 x 7A	2.5 x 2.5 x 7A	3 x 3 x 7	4 x 4 x 7A	5 x 5 x 7A	6 x 6 x 7A
6	CASING W/WEAR RING (OPTIONAL)	1							
	Casing 125/125# Drilling	1	180-8594-055	180-8586-055	180-8602-055	180-8614-055	180-8576-055	180-8580-055	180-8610-055
	Casing 125/250# Drilling		180-8595-055	180-8587-055	180-8603-055	180-8615-055	180-8577-055	180-8581-055	180-8611-055
	Casing 250/250# Drilling		180-8596-055	180-8588-055	180-8604-055	180-8616-055	180-8578-055	180-8582-055	180-8612-055
	Casing (w/o Wear Ring) 125/125# Drilling		180-8713-055	180-8828-055	180-8822-055	180-8825-055	180-8722-055	180-8725-055	180-8728-055
	Casing (w/o Wear Ring) 125/250# Drilling		180-8714-055	180-8829-055	180-8823-055	180-8826-055	180-8723-055	180-8726-055	180-8729-055
	Casing (w/o Wear Ring) 250/250# Drilling		180-8715-055	180-8830-055	1808824-055	180-8827-055	180-8724-055	180-8727-055	180-8730-055
7	Case Wear Ring(Optional)	1	676-8100-107	676-8100-107	676-8102-107	676-8104-107	676-8106-107	676-8118-107	676-8110-107
8	Casing Gasket	1	364-8021-603	364-8021-603	364-8021-603	364-8021-603	364-8021-603	364-8021-603	364-8021-603
11	IMPELLER¹	1							
	Impeller Small Bore(S)	1	444-8100-104	444-3347-104	444-3349-104	444-8113-104	444-3341-104	444-3344-104	444-3353-104
	Impeller Large Bore(L)		N/A	444-3348-104	444-3350-104	444-8114-104	444-3342-104	444-3345-104	444-3354-104
	Impeller XL Bore(XL)		N/A	N/A	N/A	N/A	N/A	444-3346-104	444-3355-104
35B	BRACKET	1							
	Bracket for 143-184 JM Motor	1	116-8082-010	116-8082-010	116-8082-010	116-8082-010	116-8082-010	116-8082-010	116-8082-010
	Bracket for 213-215 JM Motor		116-8083-010	116-8083-010	116-8083-010	116-8083-010	116-8083-010	116-8083-010	116-8083-010
	Bracket for 254-256 JM Motor		N/A	116-8084-010	116-8084-010	116-8084-010	116-8084-010	116-8084-010	116-8084-010
	Bracket for 284-326 JM Motor		N/A	N/A	N/A	116-8085-010	116-8085-010	116-8085-010	116-8085-010
	Bracket for 364-405 JP Motor		N/A	N/A	N/A	N/A	N/A	116-8087-010	116-8087-010
35A	SEAL PLATE	1							
	Seal Plate(S)	1	812-8084-010	812-8084-010	812-8084-010	812-8084-010	812-8084-010	812-8084-010	812-8084-010
	Seal Plate(L)		N/A	812-8085-010	812-8085-010	812-8085-010	812-8085-010	812-8085-010	812-8085-010
	Seal Plate(XL)		N/A	N/A	N/A	N/A	N/A	812-8096-010	812-8096-010
	MECHANICAL SEAL KIT^{2,3}	1							
	Seal Kit(S)	1	476-1251-644	476-1251-644	476-1251-644	476-1251-644	476-1251-644	476-1251-644	476-1251-644
	Seal Kit(L)		N/A	476-1252-644	476-1252-644	476-1252-644	476-1252-644	476-1252-644	476-1252-644
	Seal Kit(XL)		N/A	N/A	N/A	N/A	N/A	476-1253-644	476-1253-644

NOTES:

- The first 3 digits of the impeller part number "444" indicate a full trim impeller, a trimmed impeller would be "443".
- The Seal Kit would be a standard maintenance kit for the first two years. "1 to 2 years" should be considered for general guidance only.
- Seal Kit Material Code match Seal Material Code:
 - For 753 Seal (BUNA-N/CARBON/CERAMIC)
 - For 764 Seal (VITON®/CARBON/CERAMIC)
 - For 769 Seal (EPR/CARBON/TUNGSTEN CARBIDE)

SEAL KIT CONTAINS	
PC. NO.	DESCRIPTION
8	Casing Gasket
9	Impeller Cap Screw
9A	Impeller Washer
9B	Impeller Gasket
9C	Impeller Seal
10	O-Ring
12	Impeller Key
25	Sleeve
27	Mechanical Seal

1.5 x 1.5 x 9.5 THROUGH 8 x 8 x 9.5A PART NUMBERS

PC. NO.	DESCRIPTION	QTY	1.5 x 1.5 x 9.5	2.5 x 2.5 x 9.5	3 x 3 x 9.5	4 x 4 x 9.5	5 x 5 x 9.5	6 x 6 x 9.5A	8 x 8 x 9.5A*
6	CASING W/WEAR RING (OPTIONAL)	1							
	Casing 125/125# Drilling	1	180-8606-055	180-8622-055	180-8642-055	180-8598-055	180-8638-055	180-8626-055	180-8654-055
	Casing 125/250# Drilling		180-8607-055	180-8623-055	180-8643-055	180-8599-055	180-8639-055	180-8627-055	180-8655-055
	Casing 250/250# Drilling		180-8608-055	180-8624-055	180-8644-055	180-8600-055	180-8640-055	180-8628-055	180-8656-055
	Casing (w/o Wear Ring) 125/125# Drilling		180-8731-055	180-8803-055	180-8737-055	180-8806-055	180-8809-055	180-8819-055	180-8749-055
	Casing (w/o Wear Ring) 125/250# Drilling		180-8732-055	180-8804-055	180-8738-055	180-8807-055	180-8810-055	180-8820-055	180-8750-055
	Casing (w/o Wear Ring) 250/250# Drilling		180-8733-055	180-8805-055	180-8739-055	180-8808-055	180-8811-055	180-8821-055	180-8751-055
7	Case Wear Ring (Optional)	1	676-8102-107	676-8102-107	676-8104-107	676-8107-107	676-8109-107	676-8111-107	676-8113-107
8	Casing Gasket	1	364-8000-603	364-8000-603	364-8000-603	364-8000-603	364-8000-603	364-8000-603	364-8017-603
11	IMPELLER¹	1							
	Impeller Small Bore (S)	1	444-3351-104	444-8107-104	444-8115-104	444-8122-104	444-8133-104	444-3359-104	N/A
	Impeller Large Bore (L)		444-3352-104	444-8108-104	444-8116-104	444-8123-104	444-8134-104	444-3360-104	444-3374-104
	Impeller XL Bore (XL)		N/A	444-3358-104	444-8117-104	444-8124-104	444-8135-104	N/A	N/A
35B	BRACKET	1							
	Bracket for 143-184 JM Motor	1	116-8082-010	116-8082-010	116-8082-010	116-8082-010	116-8082-010	116-8082-010	N/A
	Bracket for 213-215 JM Motor		116-8083-010	116-8083-010	116-8083-010	116-8083-010	116-8083-010	116-8083-010	N/A
	Bracket for 254-256 JM Motor		116-8084-010	116-8084-010	116-8084-010	116-8084-010	116-8084-010	116-8084-010	116-8083-010
	Bracket for 284-326 JM Motor		116-8085-010	116-8085-010	116-8085-010	116-8085-010	116-8085-010	116-8085-010	116-8086-010
	Bracket for 364-405 JP Motor		N/A	116-8088-010	116-8088-010	116-8088-010	116-8088-010	N/A	N/A
35A	SEAL PLATE	1							
	Seal Plate (S)	1	812-8086-010	812-8086-010	812-8086-010	812-8086-010	812-8086-010	812-8086-010	N/A
	Seal Plate (L)		812-8087-010	812-8087-010	812-8087-010	812-8087-010	812-8087-010	812-8087-010	812-8088-010
	Seal Plate (XL)		N/A	812-8097-010	812-8097-010	812-8097-010	812-8097-010	N/A	N/A
	MECHANICAL SEAL KIT^{2,3}	1							

* Temporarily unavailable until further notice.

NOTES:

- The first 3 digits of the impeller part number "444" indicate a full trim impeller, a trimmed impeller would be "443".
- The Seal Kit would be a standard maintenance kit for the first two years. "1 to 2 years" should be considered for general guidance only.
- Seal Kit Material Code match Seal Material Code:
 - For 753 Seal (BUNA-N/CARBON/CERAMIC)
 - For 764 Seal (VITON/CARBON/CERAMIC)
 - For 769 Seal (EPR/CARBON/TUNGSTEN CARBIDE)

SEAL KIT CONTAINS	
PC. NO.	DESCRIPTION
8	Casing Gasket
9	Impeller Cap Screw
9A	Impeller Washer
9B	Impeller Gasket
9C	Impeller Seal
10	O-Ring
12	Impeller Key
25	Sleeve
27	Mechanical Seal

2 x 2 x 11 THROUGH 8 x 8 x 11A PART NUMBERS

PC. NO.	DESCRIPTION	QTY	2 x 2 x 11	3 x 3 x 11A	4 x 4 x 11	5 x 5 x 11A	6 x 6 x 11	8 x 8 x 11A
6	CASING W/WEAR RING (OPTIONAL)	1						
	Casing 125/125# Drilling		180-8566-055	180-8569-055	180-8487-055	180-8572-055	180-8558-055	180-8562-055
	Casing 125/250# Drilling		180-8567-055	180-8570-055	180-8488-055	180-8573-055	180-8559-055	180-8563-055
	Casing 250/250# Drilling		180-8568-055	180-8571-055	180-8489-055	180-8574-055	180-8560-055	180-8564-055
	Casing (w/o Wear Ring) 125/125# Drilling		180-8771-055	180-8775-055	180-8782-055	180-8779-055	180-8788-055	180-8785-055
	Casing (w/o Wear Ring) 125/250# Drilling		180-8772-055	180-8776-055	180-8783-055	180-8780-055	180-8789-055	180-8786-055
	Casing (w/o Wear Ring) 250/250# Drilling		180-8773-055	180-8777-055	180-8784-055	180-8781-055	180-8790-055	180-8787-055
7	Case Wear Ring(Optional)	1	676-8117-107	676-2104-107	676-8108-107	676-8116-107	676-8112-107	676-8114-107
8	Casing Gasket	1	364-8009-603	364-8009-603	364-8009-603	364-8009-603	364-8009-603	364-8009-603
11	IMPELLER¹	1						
	Impeller Small Bore(S)		444-8102-104	444-3311-104	444-8125-104	444-3338-104	444-8147-104	444-3337-104
	Impeller Large Bore(L)		444-8103-104	444-3312-104	444-8126-104	444-3339-104	444-8148-104	444-3335-104
	Impeller XL Bore(XL)		N/A	444-3313-104	444-8127-104	444-3340-104	N/A	444-3334-104
35B	BRACKET	1						
	Bracket for 143-184 JM Motor		116-8082-010	116-8082-010	116-8082-010	116-8082-010	116-8082-010	N/A
	Bracket for 213-215 JM Motor		116-8083-010	116-8083-010	116-8083-010	116-8083-010	116-8083-010	116-8083-010
	Bracket for 254-256 JM Motor		116-8084-010	116-8083-010	116-8083-010	116-8083-010	116-8083-010	116-8083-010
	Bracket for 284-326 JM Motor		116-8085-010	116-8086-010	116-8086-010	116-8086-010	116-8086-010	116-8086-010
	Bracket for 364-405 JP Motor		N/A	116-8090-010	116-8090-010	116-8090-010	N/A	116-8090-010
35A	SEAL PLATE	1						
	Seal Plate(S)		812-8089-010	802-8090-010	812-8090-010	812-8090-010	812-8090-010	812-8090-010
	Seal Plate(L)		812-8091-010	812-8092-010	812-8092-010	812-8092-010	812-8092-010	812-8092-010
	Seal Plate(XL)		N/A	812-8102-010	812-8102-010	812-8102-010	N/A	812-8102-010
	MECHANICAL SEAL KIT^{2,3}	1						
	Seal Kit(S)		476-1257-644	476-1257-644	476-1257-644	476-1257-644	476-1257-644	476-1257-644
	Seal Kit(L)		476-1258-644	476-1258-644	476-1258-644	476-1258-644	476-1258-644	476-1258-644
	Seal Kit(XL)		N/A	476-1260-644	476-1260-644	476-1260-644	N/A	476-1260-644

NOTES:

- The first 3 digits of the impeller part number "444" indicate a full trim impeller, a trimmed impeller would be "443".
- The Seal Kit would be a standard maintenance kit for the first two years. "1 to 2 years" should be considered for general guidance only.
- Seal Kit Material Code match Seal Material Code:
 - For 753 Seal (BUNA-N/CARBON/CERAMIC)
 - For 764 Seal (VITON/CARBON/CERAMIC)
 - For 769 Seal (EPR/CARBON/TUNGSTEN CARBIDE)

SEAL KIT CONTAINS	
PC. NO.	DESCRIPTION
8	Casing Gasket
9	Impeller Cap Screw
9A	Impeller Washer
9B	Impeller Gasket
9C	Impeller Seal
10	O-Ring
12	Impeller Key
25	Sleeve
27	Mechanical Seal

3 x 3 x 13.5 THROUGH 10 x 10 x 13.5A PART NUMBERS

PC. NO.	DESCRIPTION	QTY	3 x 3 x 13.5	4 x 4 x 13.5	5 x 5 x 13.5	6 x 6 x 13.5	8 x 8 x 13.5A	10 x 10 x 13.5A
6	CASING W/WEAR RING (OPTIONAL)	1						
	Casing 125/125# Drilling	1	180-8618-055	180-8658-055	180-8650-055	180-8634-055	180-2818-055	180-2815-055
	Casing 125/250# Drilling		180-8619-055	180-8659-055	180-8651-055	180-8635-055	180-2819-055	180-2816-055
	Casing 250/250# Drilling		180-8620-055	180-8660-055	180-8652-055	180-8636-055	180-2820-055	180-2817-055
	Casing(w/o Wear Ring) 125/125# Drilling		180-8800-055	180-8767-055	180-8758-055	180-8797-055	180-8794-055	180-8791-055
	Casing(w/o Wear Ring) 125/250# Drilling		180-8801-055	180-8768-055	180-8759-055	180-8798-055	180-8795-055	180-8792-055
	Casing(w/o Wear Ring) 250/250# Drilling		180-8802-055	180-8769-055	180-8760-055	180-8799-055	180-8796-055	180-8793-055
7	Case Wear Ring (Optional)	1	676-8105-107	676-8108-107	676-8109-107	676-8112-107	676-2151-107	676-8115-107
8	Casing Gasket	1	364-8011-603	364-8011-603	364-8011-603	364-8011-603	364-8011-603	364-8011-603
11	IMPELLER¹	1						
	Impeller Small Bore (S)	1	444-8118-104	N/A	N/A	N/A	N/A	N/A
	Impeller Large Bore (L)		444-8119-104	444-8129-104	444-8139-104	444-8150-104	444-3304-104	444-3306-104
	Impeller XL Bore (XL)		N/A	N/A	N/A	444-8151-104	444-3305-104	444-3307-104
35B	BRACKET	1						
	Bracket for 143-184 JM Motor	1	116-8082-010	N/A	N/A	N/A	N/A	N/A
	Bracket for 213-215 JM Motor		116-8083-010	N/A	N/A	N/A	N/A	N/A
	Bracket for 254-256 JM Motor		116-8083-010	116-8083-010	116-8083-010	116-8083-010	116-8095-010	116-8095-010
	Bracket for 284-326 JM Motor		116-8086-010	116-8086-010	116-8086-010	116-8086-010	116-8094-010	116-8094-010
	Bracket for 364-405 JP Motor		N/A	N/A	N/A	116-8092-010	116-8092-010	116-8092-010
35A	SEAL PLATE	1						
	Seal Plate (S)	1	812-8094-010	N/A	N/A	N/A	N/A	N/A
	Seal Plate (L)		812-8095-010	812-8095-010	812-8095-010	812-8095-010	812-8101-010	812-8101-010
	Seal Plate (XL)		N/A	N/A	N/A	812-8098-010	812-8099-010	812-8099-010
	MECHANICAL SEAL KIT^{2,3}	1						
	Seal Kit (S)	1	476-1262-644	476-1262-644	N/A	N/A	N/A	N/A
	Seal Kit (L)		476-1263-644	476-1263-644	476-1263-644	476-1263-644	476-1263-644	476-1263-644
	Seal Kit (XL)		N/A	N/A	N/A	476-1264-644	476-1264-644	476-1264-644

NOTES:

- The first 3 digits of the impeller part number "444" indicate a full trim impeller, a trimmed impeller would be "443".
- The Seal Kit would be a standard maintenance kit for the first two years. "1 to 2 years" should be considered for general guidance only.
- Seal Kit Material Code match Seal Material Code:
 - For 753 Seal (BUNA-N/CARBON/CERAMIC)
 - For 764 Seal (VITON/CARBON/CERAMIC)
 - For 769 Seal (EPR/CARBON/TUNGSTEN CARBIDE)

SEAL KIT CONTAINS	
PC. NO.	DESCRIPTION
8	Casing Gasket
9	Impeller Cap Screw
9A	Impeller Washer
9B	Impeller Gasket
9C	Impeller Seal
10	O-Ring
12	Impeller Key
25	Sleeve
27	Mechanical Seal

STANDARD LIMITED WARRANTY

Seller warrants equipment (and its component parts) of its own manufacture against defects in materials and workmanship under normal use and service for one (1) year from the date of installation or start-up, or for eighteen (18) months after the date of shipment, whichever occurs first. Seller does not warrant accessories or components that are not manufactured by Seller; however, to the extent possible, Seller agrees to assign to Buyer its rights under the original manufacturer's warranty, without recourse to Seller. Buyer must give Seller notice in writing of any alleged defect covered by this warranty (together with all identifying details, including the serial number, the type of equipment, and the date of purchase) within thirty (30) days of the discovery of such defect during the warranty period. No claim made more than 30 days after the expiration of the warranty period shall be valid. Guarantees of performance and warranties are based on the use of original equipment manufactured (OEM) replacement parts. Seller assumes no responsibility or liability if alterations, non-authorized design modifications and/or non-OEM replacement parts are incorporated. If requested by Seller, any equipment (or its component parts) must be promptly returned to Seller prior to any attempted repair, or sent to an authorized service station designated by Seller, and Buyer shall prepay all shipping expenses. Seller shall not be liable for any loss or damage to goods in transit, nor will any warranty claim be valid unless the returned goods are received intact and undamaged as a result of shipment. Repaired or replaced material returned to customer will be shipped F.O.B., Seller's factory. Seller will not give Buyer credit for parts or equipment returned to Seller, and will not accept delivery of any such parts or equipment, unless Buyer has obtained Seller's approval in writing. The warranty extends to repaired or replaced parts of Seller's manufacture for ninety (90) days or for the remainder of the original warranty period applicable to the equipment or parts being repaired or replaced, whichever is greater. This warranty applies to the repaired or replaced part and is not extended to the product or any other component of the product being repaired. Repair parts of its own manufacture sold after the original warranty period are warranted for a period of one (1) year from shipment against defects in materials and workmanship under normal use and service. This warranty applies to the replacement part only and is not extended to the product or any other component of the product being repaired. Seller may substitute new equipment or improve part(s) of any equipment judged defective without further liability. All repairs or services performed by Seller, which are not covered by this warranty, will be charged in accordance with Seller's standard prices then in effect.

THIS WARRANTY IS THE SOLE WARRANTY OF SELLER AND SELLER HEREBY EXPRESSLY DISCLAIMS AND BUYER WAIVES ALL OTHER WARRANTIES EXPRESSED, IMPLIED IN LAW OR IMPLIED IN FACT, INCLUDING ANY WARRANTIES OF MERCHANTABILITY OR FITNESS FOR A PARTICULAR PURPOSE. Seller's sole obligation under this warranty shall be, at its option, to repair or replace any equipment (or its component parts) which has a defect covered by this warranty, or to refund the purchase price of such equipment or part. Under the terms of this warranty, Seller shall not be liable for (a) consequential, collateral, special or liquidated losses or damages; (b) equipment conditions caused by normal wear and tear, abnormal conditions of use, accident, neglect, or misuse of said equipment; (c) the expense of, and loss or damage caused by, repairs or alterations made by anyone other than the Seller; (d) damage caused by abrasive materials, chemicals, scale deposits, corrosion, lightning, improper voltage, mishandling, or other similar conditions; (e) any loss, damage, or expense relating to or resulting from installation, removal or reinstallation of equipment; (f) any labor costs or charges incurred in repairing or replacing defective equipment or parts, including the cost of reinstalling parts that are repaired or replaced by Seller; (g) any expense of shipment of equipment or repaired or replacement parts; or (h) any other loss, damage or expense of any nature.

The above warranty shall not apply to any equipment which may be separately covered by any alternate or special warranties.

PERFORMANCE: In the absence of Certified Pump Performance Tests, equipment performance is not warranted or guaranteed. Performance curves and other information submitted to Buyer are approximate and no warranty or guarantee shall be deemed to arise as a result of such submittal. All testing shall be done in accordance with Seller's standard policy under Hydraulic Institute procedures.

LIABILITY LIMITATIONS: Under no circumstances shall the Seller have any liability under the Order or otherwise for liquidated damages or for collateral, consequential or special damages or for loss of profits, or for actual losses or for loss of production or progress of construction, regardless of the cause of such damages or losses. In any event, Seller's aggregate total liability under the Order or otherwise shall not exceed the contract price.

ACTS OF GOD: Seller shall in no event be liable for delays in delivery of the equipment or other failures to perform caused by fires, acts of God, strikes, labor difficulties, acts of governmental or military authorities, delays in transportation or procuring materials, or causes of any kind beyond Seller's control.

COMPLIANCE WITH LAW: Seller agrees to comply with all United States laws and regulations applicable to the manufacturing of the subject equipment. Such compliance shall include: The Fair Labor Standards Acts of 1938, as amended; Equal Employment Opportunity clauses of Executive Order 11246, as amended; Occupational Safety and Health Act of 1970 and the standards promulgated thereunder, if applicable. Since compliance with the various Federal, State, and Local laws and regulations concerning occupational health and safety, pollution or local codes are affected by the use, installation and operation of the equipment and other matters over which Seller has no control, Seller assumes no responsibility for compliance with those laws and regulations, whether by way of indemnity, warranty, or otherwise. It is incumbent upon the Buyer to specify equipment which complies with local codes and ordinances.

NOTES



800 Airport Road | North Aurora, Illinois 60542 | Ph: 630.859.7000 | pentair.com

For a detailed list of where Pentair trademarks are registered, please visit www.pentair.com/en/registrations.html. Pentair trademarks and logos are owned by Pentair plc. or its affiliates. Third party registered and unregistered trademarks and logos are the property of their respective owners. Because we are continuously improving our products and services, Pentair reserves the right to change specifications without prior notice. Pentair is an equal opportunity employer.

Viton® is a registered trademark of DuPont Performance Elastomers L.L.C.

AU12863-RPI (04-01-21) ©2021 Pentair. All Rights Reserved.