

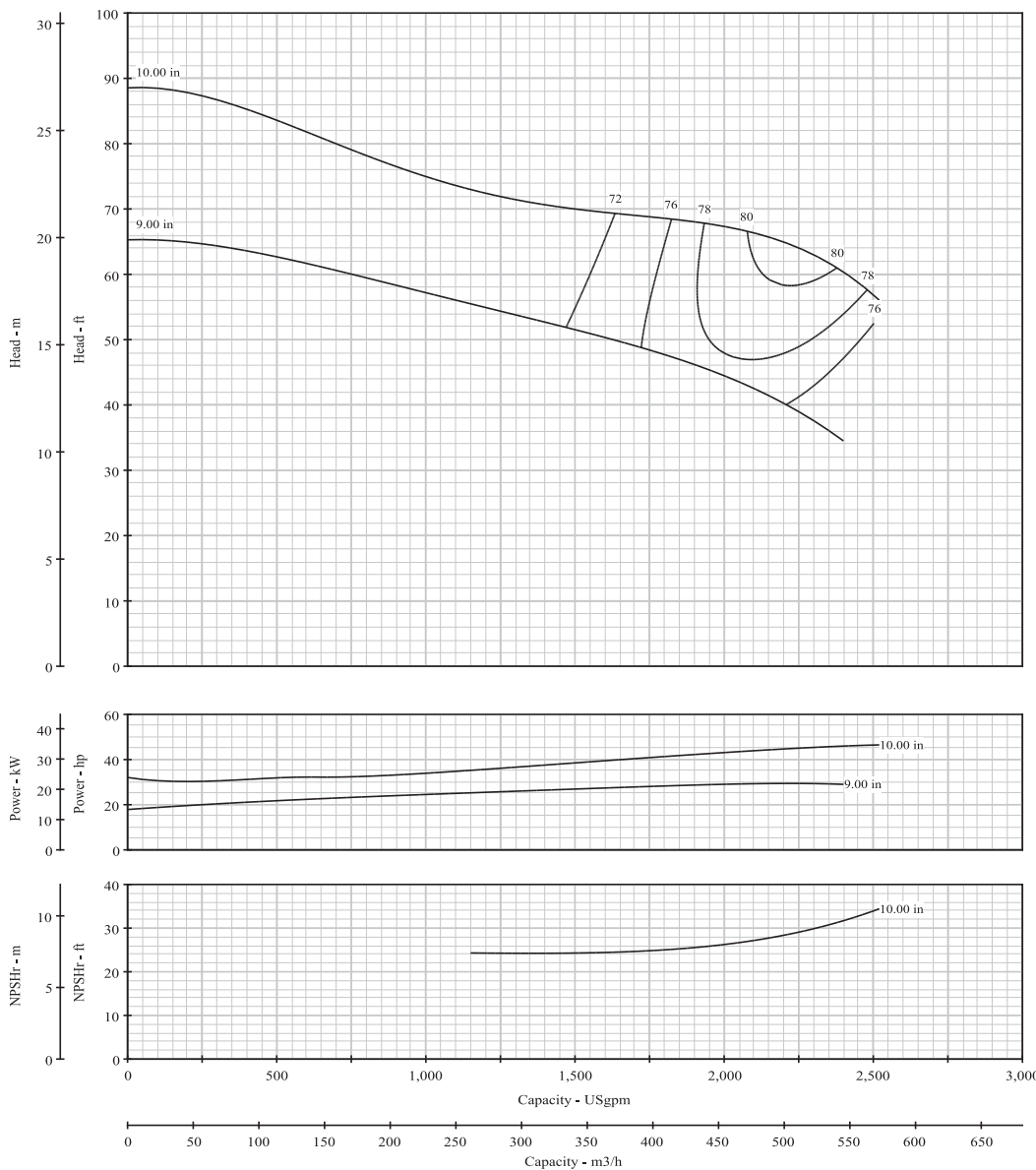
BERKELEY®

VERTICAL LINESHAFT TURBINES

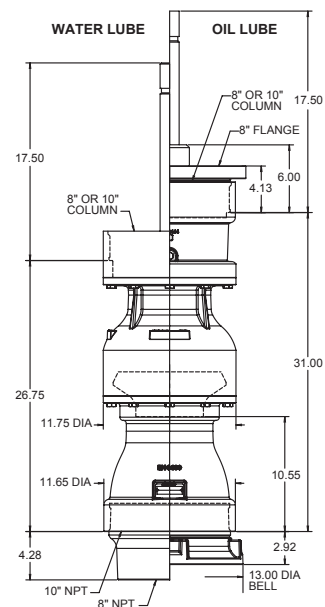
| No. Stages | Eff. |
|------------|------|
| 1 | -2 |
| 2 | -1 |
| 3 | 0 |
| 4 | 0 |

12VT2000 CLOSED IMPELLER 1770 R.P.M.

SINGLE STAGE LAB PERFORMANCE WITH STANDARD MATERIALS. EFFICIENCY SHOWN FOR 4 OR MORE STAGES. HORSE POWER SHOWN FOR ONE STAGE BASED ON 4 STAGE EFFICIENCY. CORRECTIONS SHOULD BE MADE FOR STAGES AND MATERIAL



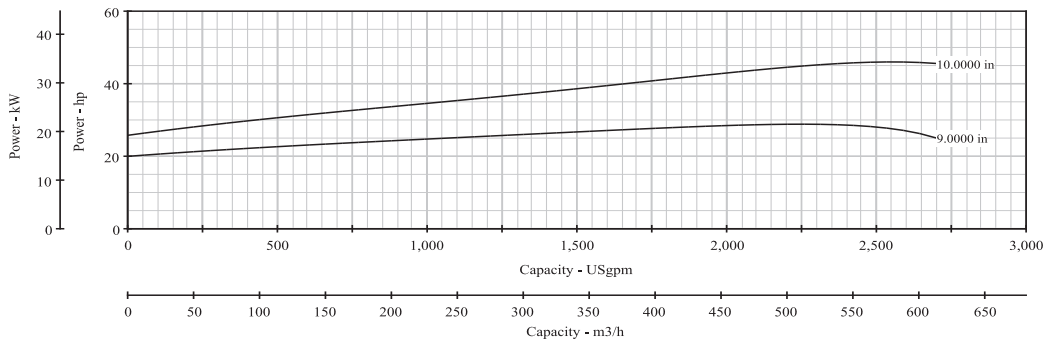
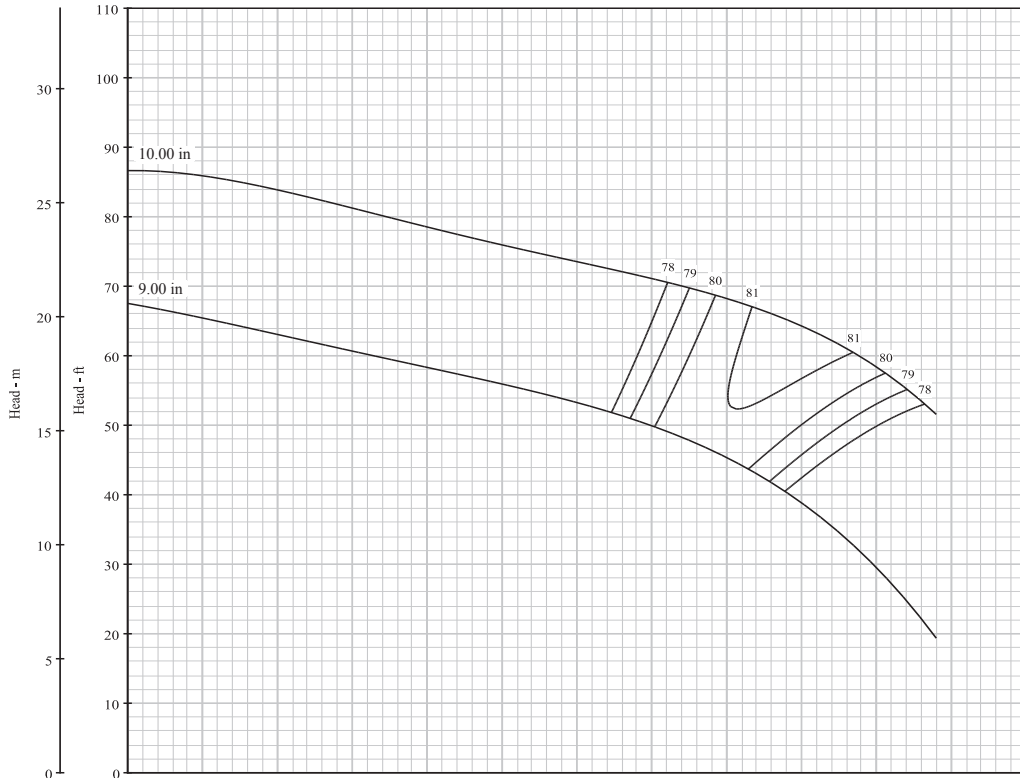
| | | | |
|-------------------------------------|---------|--------------------------------------|---------|
| Maximum Operation Speed - RPM | 1800 | Maximum Sphere Size - inch | 0.84 |
| Pump Shaft Diameter - inch | 1.687 | Thrust Factor - Kt | 11.88 |
| Bowl Weight, 1st Stg W/L - lbs | 195 | WR2 | 1.25 |
| Bowl Weight, 1st Stg O/L - lbs | 243 | Running Position (Above Seat) - inch | 0.200 |
| Bowl Weight, Ea. Add Stage - lbs | 104 | Submergence - inch | 63 |
| Allowable Shaft Stretch - inch | 1.58 | Max Bowl Brg Clearance - in. dia | 0.014 |
| Std Max Working Pressure - PSI | 400 | Max Wear Ring Clearance - in. dia | 0.015 |
| Optional Max Working Pressure - PSI | 700 | Max Bowl O.D. - inch | 11.75 |
| Impeller Eye Area - Sq. In | 37.2 | Suction Bell O.D. - inch | 13 |
| Rotor Weight 1st/add stages - lbs | 31 | Standard Max Number Stages | 10 |
| Additional Length Per Stage - inch | 13.25 | Optional Max Number Stages | 11 |
| Discharge Thread Column - inch | 8 or 10 | Suction Threads NPT - inch | 8 or 10 |



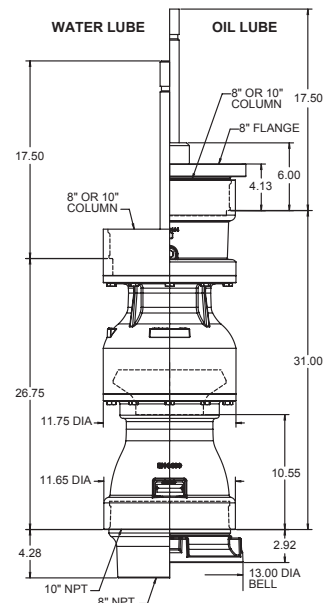
BERKELEY®

VERTICAL LINESHAFT TURBINES

| No. Stages | Eff. | 12VT2000K SEMI-OPEN IMPELLER 1770 R.P.M. <small>SINGLE STAGE LAB PERFORMANCE WITH STANDARD MATERIALS. EFFICIENCY SHOWN FOR 4 OR MORE STAGES. HORSE POWER SHOWN FOR ONE STAGE BASED ON 4 STAGE EFFICIENCY. CORRECTIONS SHOULD BE MADE FOR STAGES AND MATERIAL</small> |
|------------|------|--|
| 1 | -2 | |
| 2 | -1 | |
| 3 | 0 | |
| 4 | 0 | |



| | | | |
|-------------------------------------|---------|--------------------------------------|---------|
| Maximum Operation Speed - RPM | 1800 | Maximum Sphere Size - inch | 0.84 |
| Pump Shaft Diameter - inch | 1.687 | Thrust Factor - Kt | 14.60 |
| Bowl Weight, 1st Stg W/L - lbs | 195 | WR ² | 0.57 |
| Bowl Weight, 1st Stg O/L - lbs | 243 | Running Position (Above Seat) - inch | 0.015 |
| Bowl Weight, Ea. Add Stage - lbs | 104 | Submergence - inch | 62 |
| Allowable Shaft Stretch - inch | 1.58 | Max Bowl Brg Clearance - in. dia | 0.014 |
| Std Max Working Pressure - PSI | 400 | Max Wear Ring Clearance - in. dia | N/A |
| Optional Max Working Pressure - PSI | 0 | Max Bowl O.D. - inch | 11.75 |
| Impeller Eye Area - Sq. In | 37.2 | Suction Bell O.D. - inch | 13 |
| Rotor Weight 1st/add stages - lbs | 25 | Standard Max Number Stages | 10 |
| Additional Length Per Stage - inch | 13.25 | Optional Max Number Stages | 0 |
| Discharge Thread Column - inch | 8 or 10 | Suction Threads NPT - inch | 8 or 10 |



293 WRIGHT STREET, DELAVAN, WI 53115 WWW.BERKELEYPUMPS.COM
PH: 888-237-5353 ORDERS FAX: 800-321-8793

Because we are continuously improving our products and services, Pentair reserves the right to change specifications without prior notice.

B11735BK (08/10/16) © 2016 Pentair plc. All Rights Reserved.