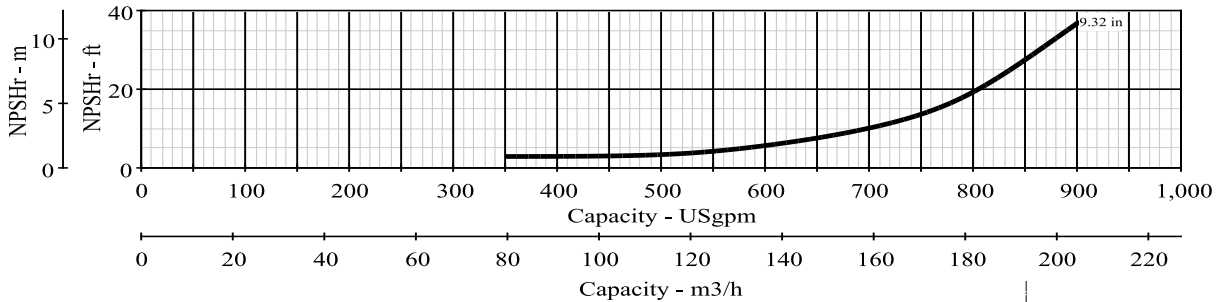
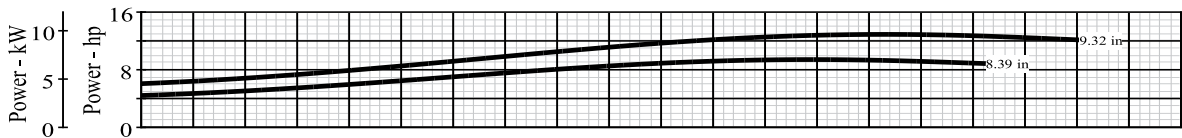
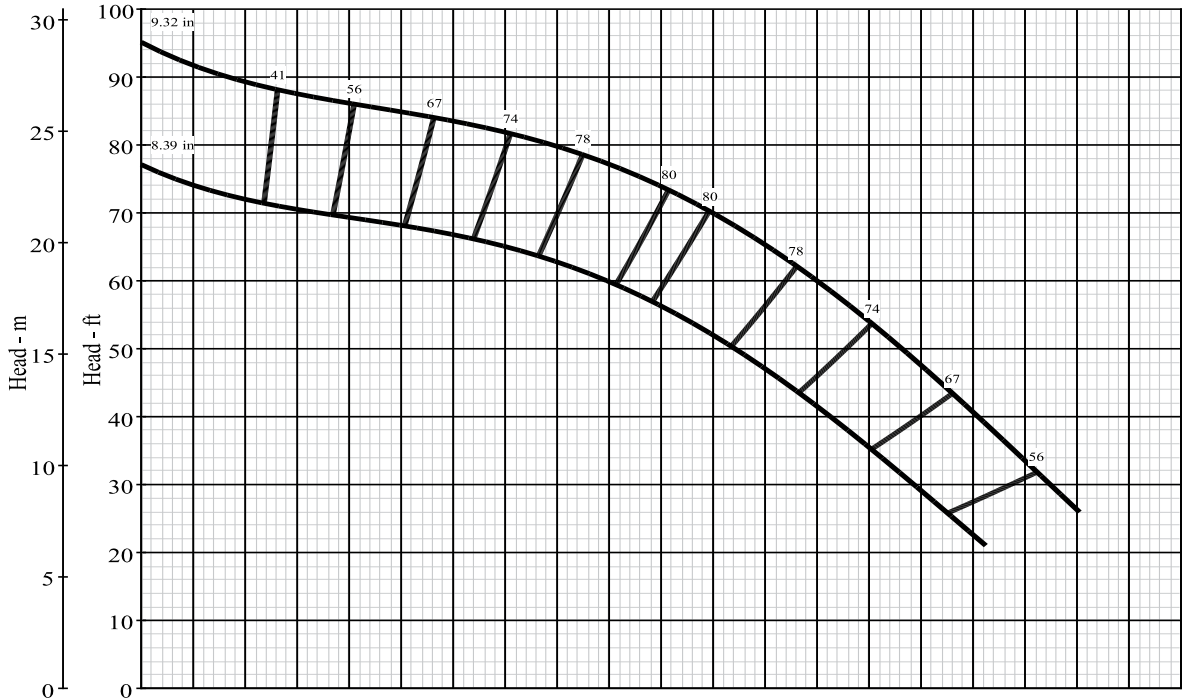


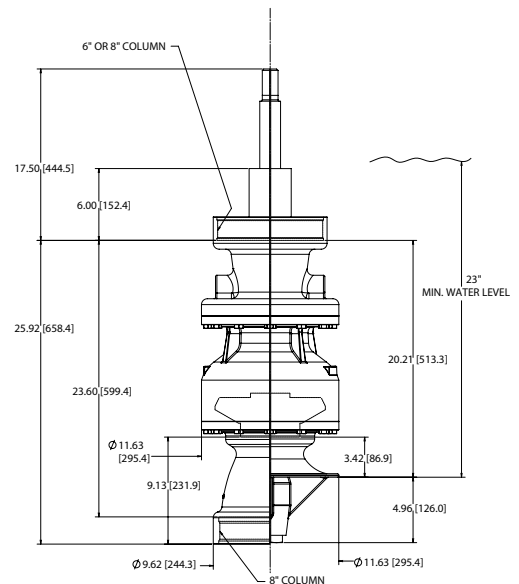
# BERKELEY®

## VERTICAL LINESHAFT TURBINES

No. Stages	Eff.	12VT500	1770 R.P.M.
1	-2	SINGLE STAGE LAB PERFORMANCE WITH STANDARD MATERIALS. EFFICIENCY SHOWN FOR 4 OR MORE STAGES. HORSE POWER SHOWN FOR ONE STAGE BASED ON 4 STAGE EFFICIENCY. CORRECTIONS SHOULD BE MADE FOR STAGES AND MATERIAL	
2	-1		
3	0		
4	0		



Maximum Operating Speed	1800	Maximum Sphere Size-inches	0.65
Pump Shaft Diameter-inches	1.687	Thrust Factor-Kt	6.4
Bowl Weight 1st Stage	220	WR2	0.893
Bowl Weight Ea. Add Stage-lbs	81.1	Running Position (Above Seat)-in.	0.200
Allowable Shaft Stretch-inches	0.95	Submergence-inches	23
Maximum Working Pressure-PSI	380	Max Bowl Brg Clearance-in. Dia	0.012
Maximum Hydro Pressure-PSI	570	Max Wear Ring Clearance-in Dia.	N/A
Impeller Eye -Sq. In	14.93	Max Bowl O.D.-inches	11.63
Rotor Weight 1st/add stages-(Ks)	43/21.4	Suct Bell O.D.-inches	11.63
Add 7.76" per additional stage		Maximum Number of Stages	9
Discharge-inches	6, 8	Suction-inches	8



293 WRIGHT STREET, DELAVAN, WI 53115 WWW.BERKELEYPUMPS.COM  
PH: 888-237-5353 ORDERS FAX: 800-321-8793

Because we are continuously improving our products and services, Pentair reserves the right to change specifications without prior notice.