

### GENERAL

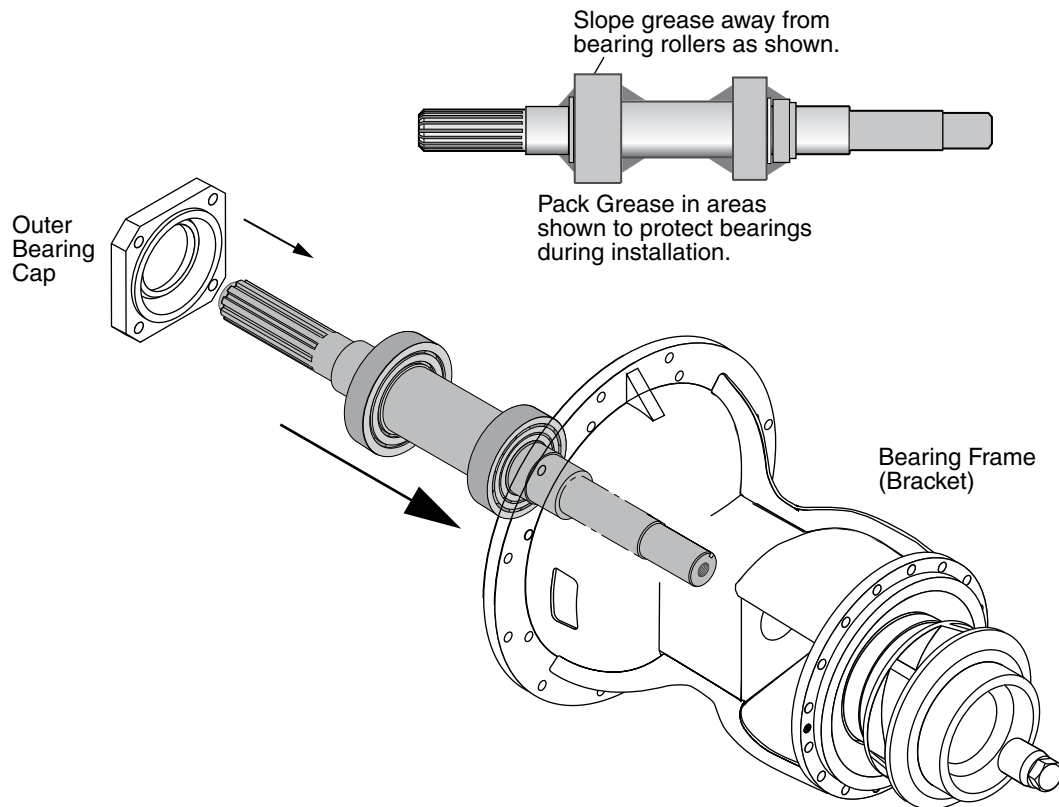
Unpack shaft replacement kit and compare contents with the parts list below. Verify kit received is the correct one for your operation.

#### California Proposition 65 Warning

**▲ WARNING** This product and related accessories contain chemicals known to the State of California to cause cancer, birth defects or other reproductive harm.

### PARTS LIST

Ref. No.	Part Description	Qty.	B_ZQ_S B85738	B_ZR_S B85739
1	Capscrew	1	S23621	S23621
2	Lockwasher	1	S23038	S23038
3	Impeller Washer	1	S06319	S06319
4	Slinger	1	S10964	S10964
5	Grease Seal	2	M12337	M12337
6	Shaft Sleeve	1	M15098L	M15098L
7	Ball Bearing	1	M15097	M15097
8	Shaft Key	1	S23677	S23677
9A	Shaft	1	M15092	-
9B	Shaft	1	-	M15091
10	Shaft Key	1	-	S23941
11	Ball Bearing	1	M15096	M15096
12	Thrust Ring	1	M15095	M15095
13	Retaining Ring	1	M15094	M15094



## INSTALLATION

1. Thoroughly steam clean or solvent wash the bearing cavity of bearing bracket to remove old grease and dirt. Check surface of bracket for cracks, extreme corrosion, or other defects that may make replacement of the bracket necessary.
2. Pack bearings with a lithium based NGLI No. 2 extra pressure ball bearing grease. Force enough grease into each bearing to fill internal space between the races.
3. Coat the bearing bores of bracket with oil. Orient shaft kit in the direction shown above. Protect the bearings from contamination during installation by applying grease around bearings as shown. Slide shaft and bearing assembly into bearing bracket. When threaded end of pump shaft comes through inner grease seal, place slinger over end of shaft. If packing gland is not of the split variety, place it over the shaft at this time as well. Slide shaft on through stuffing box until the first bearing makes contact with the bracket. **BE SURE** that you do not damage the inner grease seal. Carefully align bearing with the bearing bore and press or slide bearing assembly into place. **Do not use excessive force.**
4. Install outer bearing cap tightly against bracket.
5. Inject grease into grease fittings to fill cavities behind bearings.
6. Reassemble pump parts and install unit. Refer to pump owners manual for correct installation procedures.