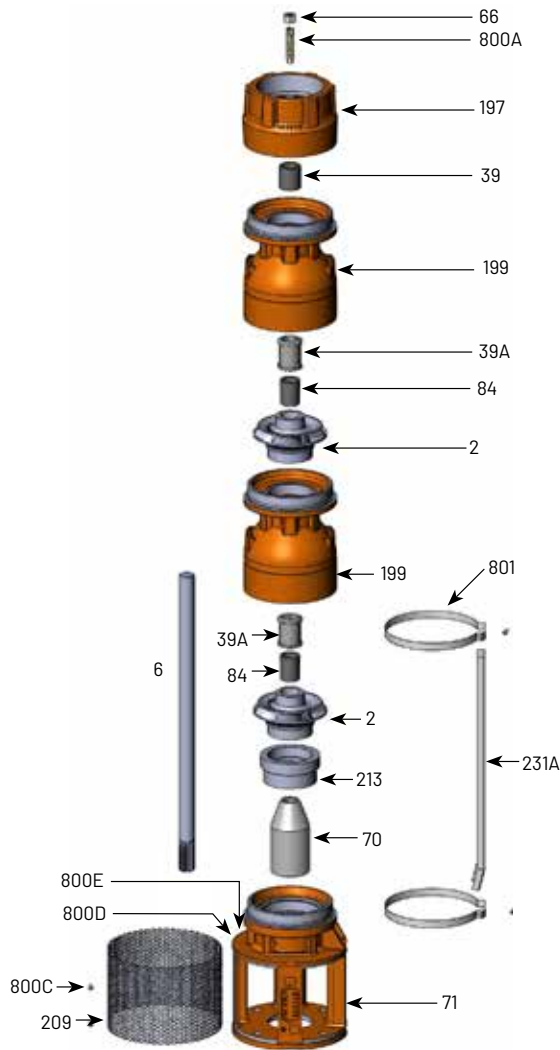




# 6TMH SERIES

## 200 GPM, 60HZ, NPT, 8" MOTORS

|            |               |
|------------|---------------|
| Section    | ST-6TMH       |
| Page       | 1.0           |
| Date       | June 1, 2018  |
| Supersedes | March 1, 2016 |



| Item Number     | Part Number | Description                            | Required Qty |
|-----------------|-------------|----------------------------------------|--------------|
| 2               | See Table 3 | Impeller                               | 1 Per Stage  |
| 6               | See Table 4 | Shaft                                  | 1            |
| 39              | M15886      | Vesconite Bearing                      | 1            |
| 39A             | S13636      | Neoprene Bearing                       | 1 Per Stage  |
| 66              | M15881      | Upthrust Nut, 1/2-13 LH                | 1            |
| 70              | B87061      | 8" Motor Coupling                      | 1            |
| 71              | M16428      | 6TMH 8" Motor Suction Bracket          | 1            |
| 84              | S05301      | 1" Collet                              | 1 Per Stage  |
| 199             | B86168      | 6TMH-200 Bowl (incl. Neoprene Bearing) | 1 Per Stage  |
| 197             | M15868      | 6TMH Discharge, 4" NPT                 | 1            |
| 209             | M16429      | Suction Screen                         | 1            |
| 213             | M15876      | Intake Adapter Insert                  | 1            |
| 231A            | M10252      | Cable Guard, 8' material               | 1            |
| 800A            | M15882      | Upthrust Screw, 1/2-13 LH              | 1            |
| 800C            | M15937      | Screen Screw, 8-32 x 3/8 Panhead       | 2            |
| 800D            | M10199      | Rivet, 3/32                            | 2            |
| 800E            | M09653      | Nameplate                              | 1            |
| 801             | M15879      | 6TMH Cable Guard Clamp                 | 2            |
| Not Illustrated | M09970      | Tag, Upthrust Adjustment               | 1            |
| Not Illustrated | B87159      | Bolt Kit, 8" Motor                     | 1            |
| Not Illustrated | BE972       | Owner's Manual                         | 1            |

Note 1: B86185 includes items 39, 66, 197, 800A  
 Note 2: B86657 Includes 71, 213

| Item Number | Part Number | Description                            | Required Qty |
|-------------|-------------|----------------------------------------|--------------|
| 39A         | S13636      | Neoprene Bearing                       | 1 Per Stage  |
|             | S10708      | Bronze Bearing                         |              |
| 199         | B86168      | 6TMH-200 Bowl (incl. Neoprene Bearing) | 1 Per Stage  |
| 84          | S05301      | 1" Collet                              | 1 Per Stage  |
| 2           | See Table 3 | Impeller                               | 1 Per Stage  |

Note 3: Bronze bearing may be used in place of the standard Neoprene Bearing.

| Item Number | Part Number | Description                  | Required Qty |
|-------------|-------------|------------------------------|--------------|
| 2           | M15856      | 6TMH-200 "A" Impeller 4.750" | See Table 4  |
| 2           | M15857      | 6TMH-200 "B" Impeller 4.450" |              |

TABLE 4 - 60 Hz Staging Requirements Build Table

| Series      | HP/kW    | Stages | Trim |     |     | 416 SS shaft        |                  | Ion-nitride shaft   |                       | Shaft Length (in/mm) | Cable Guard Length <sup>5</sup> | Assembled pump length (motor not included) |
|-------------|----------|--------|------|-----|-----|---------------------|------------------|---------------------|-----------------------|----------------------|---------------------------------|--------------------------------------------|
|             |          |        | "A"  | "B" | "C" | Pump catalog number | 416 SS Shaft p/n | Pump catalog number | Ion Nitride Shaft p/n |                      |                                 |                                            |
| 6TMH40-200  | 40/29.8  | 8      | 7    | 1   |     | B86764              | M16099           | B86764N             | M16132                | 55.25 in/1404 mm     | 53 in/1347 mm                   | 61.82 in/1571 mm                           |
| 6TMH50-200  | 50/37.3  | 10     | 9    | 1   |     | B86765              | M16101           | B86765N             | M16134                | 67.75 in/1721 mm     | 65.5 in/1664 mm                 | 74.32 in/1888 mm                           |
| 6TMH60-200  | 60/44.7  | 12     | 11   | 1   |     | B86766              | M16102           | B86766N             | M16135                | 80.25 in/2039 mm     | 78 in/1982 mm                   | 86.82 in/2206 mm                           |
| 6TMH75-200  | 75/55.9  | 15     | 14   | 1   |     | B86767              | M16497           | B86767N             | M16250                | 99 in/2515 mm        | 96.75 in/2458 mm                | 105.57 in/2682 mm                          |
| 6TMH100-200 | 100/74.6 | 19     | 18   | 1   |     | B86768              | M16504           | B86768N             | M16538                | 124 in/3150 mm       | 121.75 in/3093 mm               | 130.57 in/3317 mm                          |

Note 4: Effective assembled pump diameter with cable guard lying flat against pump is 8.25 inches

Note 5: Cable guard M10252 sold in 8' (2.43M) lengths only