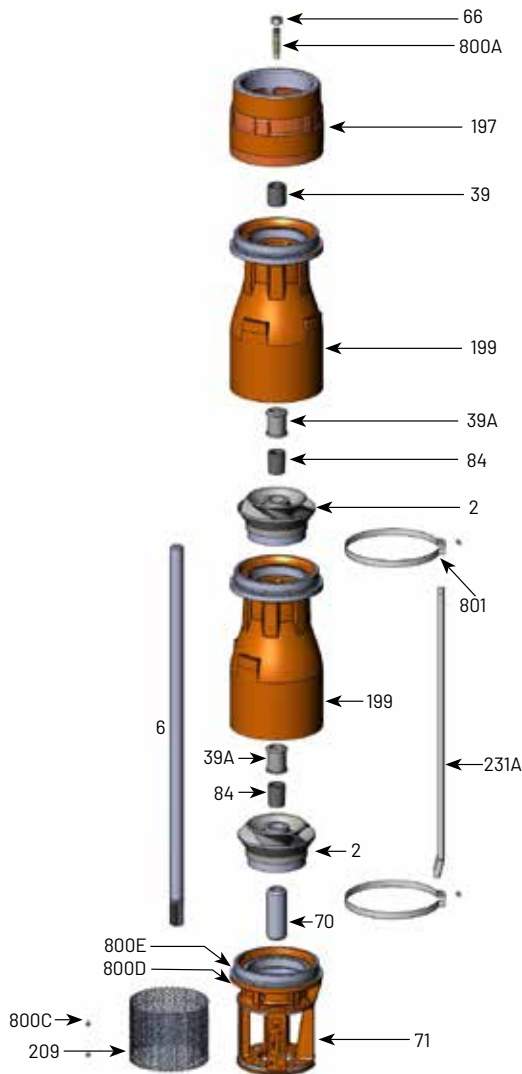


## 7TMH SERIES

### 750 GPM, 60HZ, NPT, 6" MOTOR

|            |               |
|------------|---------------|
| Section    | ST-7TMH       |
| Page       | 1.0           |
| Date       | June 4, 2018  |
| Supersedes | March 1, 2016 |



| Item Number     | Part Number | Description                            | Required Qty |
|-----------------|-------------|--|--------------|
| 2               | See Table 3 | Impeller                               | 1 Per Stage  |
| 6               | See Table 4 | Shaft                                  | 1            |
| 39              | M15886      | Vesconite Bearing                      | 1            |
| 39A             | S13636      | Neoprene Bearing                       | 1 Per Stage  |
| 66              | M15881      | Upthrust Nut, 1/2-13 LH                | 1            |
| 70              | B86966      | 6" Motor Coupling                      | 1            |
| 71              | M16386      | 7TMH 6" Motor Suction Bracket*         | 1            |
| 84              | S05301      | 1" Collet                              | 1 Per Stage  |
| 197             | M16387      | 7TMH discharge 5 x 6 NPT               | 1            |
| 199             | B86798      | 7TMH-750 Bowl (incl. Neoprene Bearing) | 1 Per Stage  |
| 209             | M16565      | Suction Screen                         | 1            |
| 231A            | 308666000   | Cable Guard, 12' material              | 1            |
| 800A            | M15882      | Upthrust Screw, 1/2-13 LH              | 1            |
| 800C            | M15937      | Screen Screw, 8-32 x 3/8 Panhead       | 2            |
| 800D            | M10199      | Rivet, 3/32                            | 2            |
| 800E            | M09653      | Nameplate                              | 1            |
| 801             | M15880      | 7TMH Cable Guard Clamp                 | 2            |
| Not Illustrated | M09970      | Tag, Upthrust Adjustment               | 1            |
| Not Illustrated | B86187      | Bolt Kit, 6" Motor                     | 1            |
| Not Illustrated | BE972       | Owner's Manual                         | 1            |

\*Note 1: B86886, includes items 39, 66, 197, 800A

| Item Number | Part Number | Description                            | Required Qty |
|-------------|-------------|--|--------------|
| 39A         | S13636      | Neoprene Bearing                       | 1 Per Stage  |
|             | S10708      | Bronze Bearing                         |              |
| 199         | B86798      | 7TMH-750 Bowl (incl. Neoprene Bearing) | 1 Per Stage  |
| 84          | S05301      | 1" Collet                              | 1 Per Stage  |
| 2           | See Table 3 | Impeller                               | 1 Per Stage  |

Note 3: Bronze bearing may be used in place of the standard Neoprene Bearing.

| Item Number | Part Number | Description                  | Required Qty |
|-------------|-------------|------------------------------|--------------|
| 2           | M16389      | 7TMH-750 "A" Impeller 5.287" | See Table 4  |
|             | M16390      | 7TMH-750 "B" Impeller 5.676" |              |
|             | M16391      | 7TMH-750 "C" Impeller 5.560" |              |
|             | M16717      | 7TMH-750 "D" Impeller 5.490" |              |

**TABLE 4 - 60 Hz Staging Requirements Build Table**

| Series     | HP/kW     | Stages | Trim |     |     |     | 416 SS shaft        |                               | Ion-nitride shaft   |                                    | Shaft Length (in/mm) | Cable Guard Length <sup>6</sup> | Assembled pump length (motor not included) |
|------------|-----------|--------|------|-----|-----|-----|---------------------|-------------------------------|---------------------|------------------------------------|----------------------|---------------------------------|--|
|            |           |        | "A"  | "B" | "C" | "D" | Pump catalog number | 416 SS Shaft p/n <sup>5</sup> | Pump catalog number | Ion Nitride Shaft p/n <sup>5</sup> |                      |                                 |  |
| 7TMH30-750 | 30/22.4kW | 2      | 1    |     | 1   |     | B86900              | M16096                        | B86900N             | M16331                             | 30.25 in/769 mm      | 26 in/661 mm                    | 35.75 in/909 mm                            |
| 7TMH40-750 | 40/29.8kW | 3      | 1    |     |     | 2   | B86901              | M16635                        | B86901N             | M16640                             | 41.75 in/1061 mm     | 37.5 in/953 mm                  | 47.25 in/1201 mm                           |
| 7TMH50-750 | 50/37.3kW | 3      | 3    |     |     |     | B86902              | M16635                        | B86902N             | M16640                             | 41.75 in/1061 mm     | 37.5 in/953 mm                  | 47.25 in/1201 mm                           |
| 7TMH60-750 | 60/44.7kW | 4      | 1    | 2   | 1   |     | B86903              | M16636                        | B86903N             | M16642                             | 53.25 in/1353 mm     | 49 in/1245 mm                   | 58.75 in/1493 mm                           |

Note 4: Effective assembled pump diameter with cable guard lying flat against pump is 7.5 inches

Note 5: 6" and 8" pumps use the same shaft and cable guards.

Note 6: Cable guard 308666000 sold in 12 (3.66M) lengths only