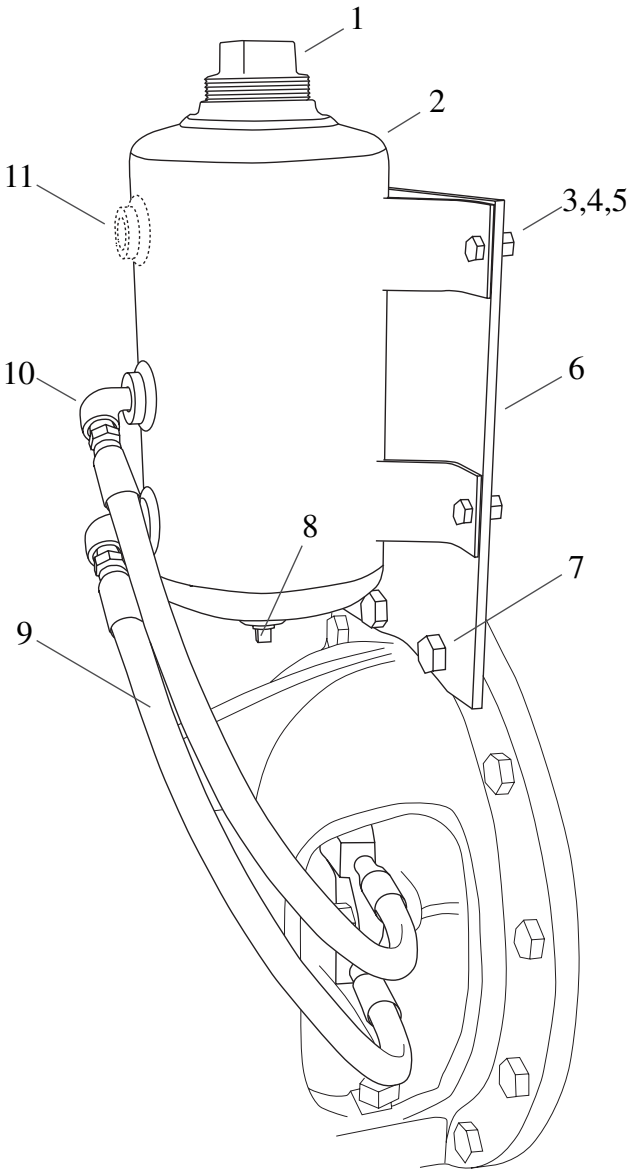


DRY RUN TANK ASSEMBLY

Section	FM
Supplement	F
Date	March 4, 2013
Supersedes 12/01/11	

Components

B85576 Dry Run Tank Assembly for Frame and SAE Series pump models B_G, B_J, B_EY
 - Requires M14959 Dry Run Shaft Seal Retainer



Item No.	Part Description	Part Number
1	2" Sq. Hd. Pipe Plug	U78-64GP
2	Reservoir, Dry Run	M14961
3	Capscrew, Hex Hd, 3/8-16 x 1" [4 Rqd.]	S26826
4	Nut, 3/8-16 [4 Rqd.]	S23103
5	Washer, Lock Spring, 3/8 [4 Rqd.]	S23076
6	Tank Mounting Plate	M14976
7	Capscrew, Hex Hd, 5/8-11 x 1-3/4" [2 Rqd.]	S27001
8	1/4" NPT Hex Hd Pipe Plug	U78-941ZPF
9	Hose Assy, 3/8" Dia, 1/4" NPT, 24" lg. [2 Rqd.]	M14983
10	Elbow, Street 90° [2 Rqd.]	20FM3C0002 0008 F
11	Sight Glass Assy*	HYD7S2 9906 F

* Not present on all tanks.

For Dry Run gland, seals and other pump components, refer to the appropriate pump repair part page.

6445 0911