

# Parallel 202 Prefilter Kit

High-volume prefilter system maximizes life of submicron filters



## APPLICATIONS

Add-on components address high particulate, algae and other related water issues

High volume combination applications  
Extends the life of submicron filters

## FEATURES AND BENEFITS

Delivers quality water to high volume fountain dispensers, coffee makers and ice machines where extreme water conditions demand larger capacity filters.

Ideal for water supplies with excessive dirt loads.

Special dual gradient prefilter cartridges reduce dirt and other particles at least 10 microns in size.

Parallel 4" x 20" sumps hold high efficiency cartridges.

Extends the life of submicron filter system cartridges.

Built-in water meter determines water demand and usage for all equipment.

Additional draw down capacity for high volume locations and peak demand times.

Allows for 12-gallon reserve of filtered water.

Includes fittings for connections to existing Everpure filtration systems.

## OPERATIONAL TIPS

Change cartridges on a regular 6 month preventative maintenance program.

Change cartridges when capacity is reached or when pressure falls below 10 psi.

Service flow rate must not exceed 10 gpm.

Always flush the filter cartridge at time of installation and cartridge change.

Everpure water treatment systems (excluding replaceable elements) are covered by a limited warranty against defects in material and workmanship for a period of five years after date of purchase. Everpure replaceable elements (filter cartridges and water treatment cartridges) are covered by a limited warranty against defects in material and workmanship for a period of one year after date of purchase. See printed warranty for details. Everpure will provide a copy of the warranty upon request.



**Parallel 202 Prefilter Kit: EV9336-52**  
**EC204 Replacement Cartridge: EV9108-40**  
**Parallel 202 Without Surge Tank: EV9100-24**  
**Extra Capacity Surge Tank: EV9336-51**

## SPECIFICATIONS

<b>Overall Dimensions:</b>	26.125" H x 23.25" W x 8.5" D (66.3 x 59 x 21.5 cm)
<b>Inlet Connection:</b>	3/4"
<b>Outlet Connection:</b>	3/4"
<b>Service Flow Rate:</b>	Maximum 10 gpm (37.8 Lpm)
<b>Pressure Requirements:</b>	10 – 90 psi (0.7 – 6.2 bar), non-shock
<b>Temperature:</b>	35 – 100°F (2 – 38°C)
<b>Electrical Connection:</b>	None
<b>Shipping Weight:</b>	Prefilter 32.5 lbs. (14.7 kg); Surge Tank 35 lbs. (15.8 kg)
<b>Operating Weight:</b>	Prefilter 41.5 lbs. (18.5 kg); Surge Tank 133 lbs. (60.3 kg)

# Parallel 202 Prefilter Kit

## EV9336-52

### INSTALLATION TIPS

Never use saddle valve for connection.

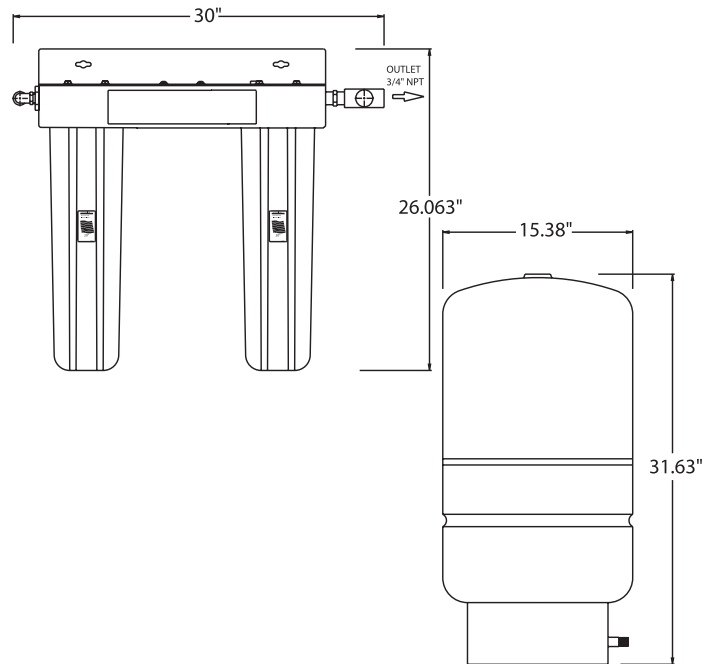
Use 3/4" water line.

Do not connect system to water-cooled condenser.

Install vertically with bowls hanging down.

Allow 2-1/2" clearance below the cartridge for easy cartridge replacement.

Flush cartridges by running water through system for five minutes at full flow.



The contaminants or other substances removed or reduced by this drinking water system are not necessarily in your water. Do not use with water that is microbiologically unsafe or of unknown quality without adequate disinfection before or after the system. Systems certified for cyst reduction may be used with disinfected water that may contain filterable cysts.

*EVERPURE reserves the right to update specifications, change prices, or make substitutions without notice.*

# EVERPURE®

**WATER YOU CAN TRUST®**

Visit our website at [www.everpure.com](http://www.everpure.com)

Everpure-SHURflo India  
Green Boulevard, B-9/A, 7th Floor -  
Tower B Sector 62, Noida - 201301  
TEL: 91.120.419.9444  
FAX: 91.120.419.9400  
EMAIL: [indiacustomer@Pentair.com](mailto:indiacustomer@Pentair.com)

Everpure-SHURflo Japan Inc.  
Hashimoto MB Bldg. 7F  
3-25-1 Hashimoto, Midori-ku  
Sagamihara-Shi Kanagawa 252-0143  
JAPAN  
TEL: 81.(0)42.775.3011  
FAX: 81.(0)42.775.3015  
EMAIL: [info@everpure.co.jp](mailto:info@everpure.co.jp)

Everpure-SHURflo China  
21F Cloud 9 Plaza, No 1118  
Shanghai, 200052  
CHINA  
TEL: 86.21.3211.4588  
FAX: 86.21.3211.4580  
EMAIL: [China.Water@Pentair.com](mailto:China.Water@Pentair.com)

Pentair Filtration Solutions, LLC  
World Headquarters-Everpure/SHURflo  
North and South America Sales  
1040 Muirfield Dr.  
Hanover Park, Illinois 60133  
USA  
TEL: 800.942.1153 (US only)  
TEL: 630.307.3000  
FAX: 630.307.3030  
EMAIL: [cseverpure@pentair.com](mailto:cseverpure@pentair.com)

Everpure-SHURflo Australia  
2 Redwood Drive  
Notting Hill  
Victoria, 3168  
AUSTRALIA  
TEL: 011.61.39.574.4000  
FAX: 011.61.39.562.7237  
EMAIL: [au.everpure@pentair.com](mailto:au.everpure@pentair.com)

Everpure-SHURflo Southeast Asia  
18 Boon Lay Way  
#04-110/111  
TradeHub 21, 609966  
SINGAPORE  
TEL: 65.6795.2213  
FAX: 65.6795.2219  
EMAIL: [cseverpure@pentair.com](mailto:cseverpure@pentair.com)

Everpure-SHURflo Europe  
Pentair Water Belgium bvba  
Industriepark Wolfstee  
Toekomstlaan 30 B-2200 Herentals  
BELGIUM  
TEL: +32.(0).14.283.500  
FAX: +32.(0).14.283.505  
EMAIL: [sales@everpure-europe.com](mailto:sales@everpure-europe.com)

EV9336-52 MR11