

2FC FILTER CARTRIDGE

DELIVERS QUALITY WATER FOR FOUNTAIN BEVERAGE APPLICATIONS

2FC Replacement Cartridge (6 PK): EV9691-56



APPLICATIONS

- ◆ Fountain beverage

FEATURES • BENEFITS

- ◆ Increased capacity for extended reduction of chemical and mechanical contaminants
- ◆ Proprietary Pentair™ Everpure™ Fibredyne™ II filtration media effectively inhibits the growth of bacteria on the filter media that can decrease product life
- ◆ Exclusive Fibredyne™ II media provides chlorine taste & odor reduction and micro-filters dirt and particles as small as 0.2* micron in size by mechanical means
- ◆ Reduces particulates, chloramines, and chlorine taste and odors that can adversely affect the taste of beverages
- ◆ Enhances beverage quality, consistency, and retains carbonation
- ◆ Compatible with QC7I Single, QL1, and QL3B heads
- ◆ Easy, sanitary, quick-change filter replacement
- ◆ NSF/ANSI Standard 53 certified to reduce cysts such as *Cryptosporidium* and *Giardia* by mechanical means
- ◆ NSF Certified under NSF/ANSI Standards 42 and 53

INSTALLATION TIPS

- ◆ Install vertically so cartridge hangs down.
- ◆ Allow 2½" (6.35 cm) clearance below the cartridge for easy cartridge replacement.
- ◆ Flush filter by running water through filter according to cartridge instructions.

OPERATION TIPS

- ◆ Replace cartridge when flow rate becomes inconveniently slow or before rated capacity is reached. It is recommended to replace cartridge at least once per year.
- ◆ Change cartridges when capacity is reached or when pressure falls below 10 psi (0.7 bar).
- ◆ Service flow rate must not exceed 1.5 gpm (5.67 Lpm).
- ◆ Always flush the filter cartridge at time of installation and cartridge change.

SIZING

- ◆ Service Flow Rate:
Maximum 1.5 gpm (5.67 Lpm)
- ◆ Rated Capacity:
6,000 gallons (22,712 L)

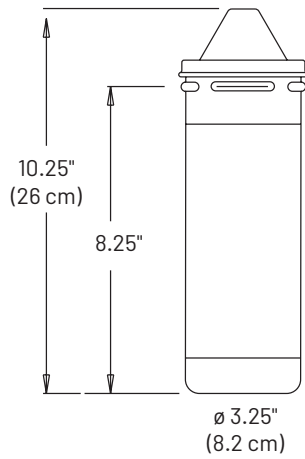
* Validated by ISO 17025 accredited lab for 99.999% reduction of *Pseudomonas diminuta* following the ASTM F838-05 protocol for the validation of 0.2 µm sterilizing grade filters.

EPA Est. No. 002623-IL-002

2FC REPLACEMENT CARTRIDGE

EV9691-56

2FC Replacement Cartridge (6 PK): EV9691-56



SPECIFICATIONS

- ◆ **Service Flow Rate**
Maximum 1.5 gpm (5.67 Lpm)
- ◆ **Rated Capacity**
6,000 gallons (22,712 L)
- ◆ **Pressure Requirements**
10 - 125 psi (0.7 - 8.6 bar), non-shock
- ◆ **Temperature**
35 - 100°F (2 - 38°C)
- ◆ **Overall Dimensions**
10.25" L x 3.25" D (26.0 cm x 8.2 cm)
- ◆ **Electrical Connection**
None required

The contaminants or other substances removed or reduced by this drinking water system are not necessarily in your water. Do not use with water that is microbiologically unsafe or of unknown quality without adequate disinfection before or after the system.

Since the conditions under which our products may be used are beyond our control, we cannot accept any liability with respect to the improper installation, application and/or use of our products.

For Pentair Everpure Product Warranties visit:
<http://pentair.com/assets/foodservice-warranty>



System Tested and Certified by NSF International against NSF/ ANSI Standards 42 and 53 for the reduction of:

STANDARD NO. 42 – AESTHETIC EFFECTS Bacteriostatic Effects Chemical Reduction Taste & Odor Chlorine Mechanical Filtration Nominal Particulate Class I	STANDARD NO. 53 – HEALTH EFFECTS Mechanical Filtration Cyst Turbidity
--	---

United States | 1040 Muirfield Drive | Hanover Park, IL 60133 | 800.942.1153 (US Only) 630.307.3000 Main | cseverpure@pentair.com | foodservice.pentair.com
Australia | 1-21 Monash Drive | Dandenong South, Vic 3175 | Australia | 011.1300 576 190 Tel | au.everpure@pentair.com
China | 21F Cloud 9 Plaza, N0 1118 | Shanghai, 200052 | China | 86.21.3211.4588 Tel | china.water@pentair.com
India | Boulevard, B-9/A, 7th Floor - Tower B Sector 62 | Noida - 201301 | 91.120.419.9444 Tel | indiacustomer@pentair.com
Europe | Pentair Water Belgium BV | Industriepark Wolfstee, Toekomstlaan 30, B-2200 Herentals | Belgium | +32.(0).14.283.504 Tel | sales@everpure-europe.com
Japan | Japan Inc. | Hashimoto MN Bldg. 7F, | 3-25-1 Hashimoto, Midori-ku, Sagamihara-shi | Kanagawa 252-0143 | Japan | 81.(0)42.775.3011 Tel | info@everpure.co.jp
Southeast Asia | 390 Havelock Road, | #04-01 King's Centre | Singapore 169662 | 65.6768.5800 Tel | cseverpure@pentair.com

All indicated Pentair trademarks and logos are property of Pentair. Third party registered and unregistered trademarks and logos are the property of their respective owners.