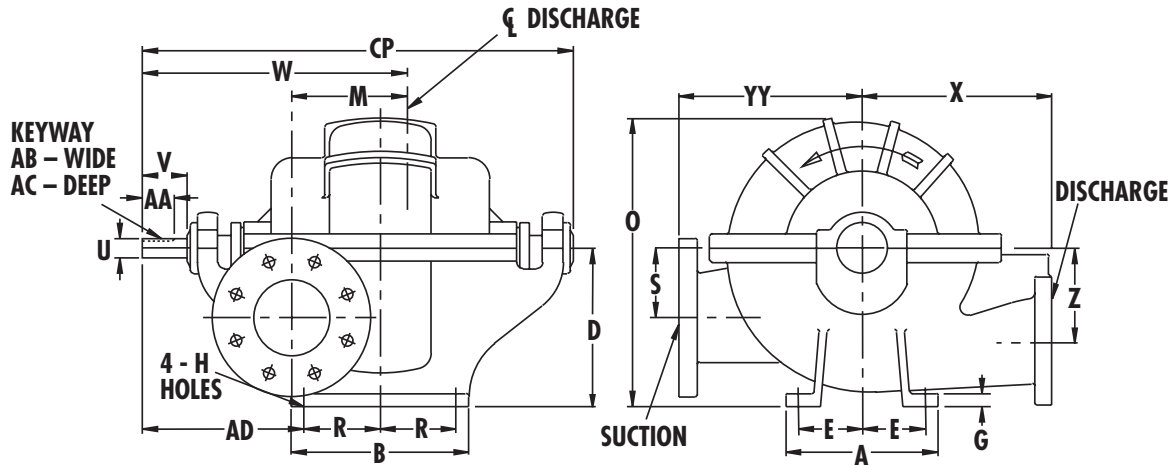


# 1900 Series Multi-Stage Split Case Pumps Technical Data

## Table of Contents

Basic Pump Dimensions.....	034–035
Setting Plans .....	036–039



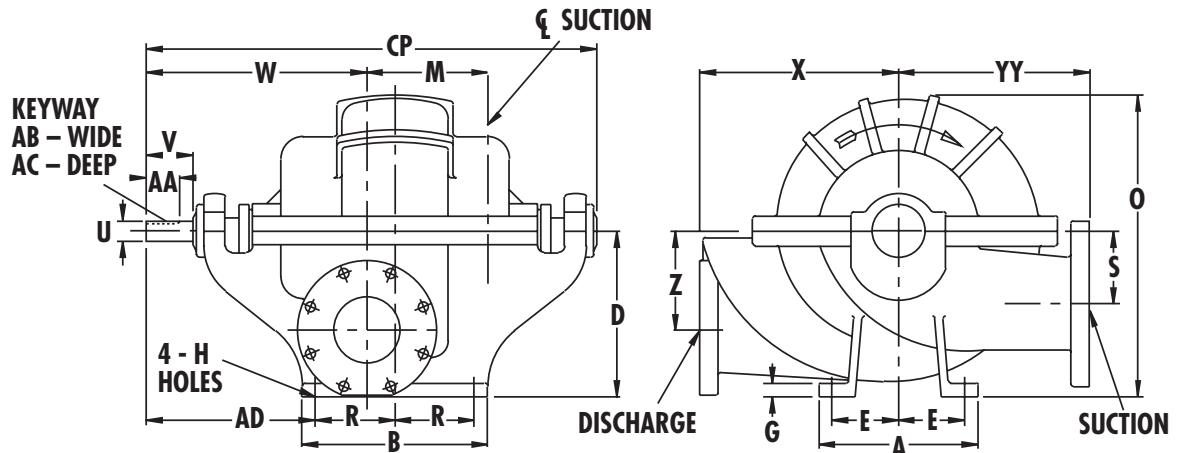
**RIGHT-HAND PUMP DIMENSIONS**

Model	Pump Size			Power Series	A	B	D	E	G	H	M	O	R	S	U	V	W	X	Z	AA	AB	AC	AD	CP	YY
	Disch.	Suction	Case Bore																						
2" 1923A/ 2" 1923B	2	2-1/2	12	2	8 (203)	10 (254)	9 (229)	3-1/2 (89)	3/4 (19)	5/8 (16)	4-3/4 (121)	19 (483)	4 (102)	4 (102)	1-1/8 (29)	2-3/4 (70)	15-3/4 (400)	10 (254)	5-1/2 (140)	2 (51)	1/4 (6)	1/8 (3)	10-1/2 (268)	26-1/4 (667)	10-1/4 (260)
2-1/2" 1922A	2-1/2	3	12	2	8 (203)	10 (254)	9 (229)	3-1/2 (89)	3/4 (19)	5/8 (16)	5-3/8 (137)	19 (483)	4 (102)	4 (102)	1-1/8 (29)	2-3/4 (70)	15-7/8 (403)	11 (279)	5-1/2 (140)	2 (51)	1/4 (6)	1/8 (3)	10-1/2 (268)	26-1/4 (667)	11 (279)
3" 1923A/ 3" 1923B	3	4	14	3	10 (254)	12 (305)	10 (254)	4-1/4 (108)	7/8 (22)	3/4 (19)	6-3/4 (171)	21 (533)	5 (127)	4-1/2 (114)	1-3/8 (35)	3 (76)	18-3/4 (476)	12 (305)	6 (152)	2 (51)	3/8 (10)	3/16 (5)	12 (305)	31 (787)	12-3/8 (314)
4" 1922	4	5	15	3	10 (254)	12 (305)	11 (279)	4-1/4 (108)	7/8 (22)	3/4 (19)	7-1/8 (181)	23 (584)	5 (127)	5 (127)	1-3/8 (35)	3 (76)	18-7/8 (479)	13 (330)	6-1/2 (165)	2 (51)	3/8 (10)	3/16 (5)	12 (305)	31 (787)	13-1/2 (343)
5" 1924	5	5	12	4A	15 (381)	16 (305)	14 (356)	6-1/2 (165)	1 (25)	7/8 (22)	6-5/8 (168)	24-1/4 (616)	7 (178)	7 (178)	1-1/2 (38)	3-5/8 (92)	20-7/8 (530)	13 (330)	7 (178)	2-1/2 (64)	3/8 (10)	3/16 (5)	12-1/2 (318)	35-3/8 (899)	13 (330)
5" 1922	5	6	15	4	12 (305)	14 (356)	12-1/2 (318)	5 (127)	1 (25)	7/8 (22)	9-1/8 (232)	24-1/2 (622)	6 (152)	5-1/2 (140)	1-1/2 (38)	3-1/2 (89)	21-1/8 (537)	15 (381)	7-1/2 (191)	2 (51)	3/8 (10)	3/16 (5)	13 (330)	34-1/2 (876)	15-7/16 (392)
6" 1924	6	6	12	5A	16 (406)	19 (483)	15 (381)	7 (178)	1 (25)	7/8 (22)	7-1/2 (191)	26-1/4 (667)	8-1/2 (216)	8 (203)	1-3/4 (44)	4 (102)	22-7/8 (581)	14 (356)	8 (203)	2-3/4 (70)	3/8 (10)	3/16 (5)	12-3/4 (324)	38-1/2 (978)	14 (356)
6" 1922A/ 6" 1922B	6	8	17	5	12 (305)	14 (356)	14-3/4 (375)	5 (127)	1 (25)	7/8 (22)	11 (279)	28-1/4 (718)	6 (152)	7 (178)	1-3/4 (44)	4 (102)	24-1/2 (622)	16 (406)	9 (229)	2-7/8 (73)	3/8 (10)	3/16 (5)	15 (381)	38 (965)	16-1/2 (419)
6" 1923/ 6" 1923B	6	8	16/ 16B	5	12 (305)	14 (356)	16-1/2 (419)	5 (127)	1 (25)	7/8 (22)	10-1/2 (267)	33-1/2 (851)	6 (152)	8-1/4 (210)	1-3/4 (44)	4 (102)	23-5/8 (600)	19 (483)	7-3/4 (197)	2-7/8 (73)	3/8 (10)	3/16 (5)	15 (381)	37-7/8 (962)	17 (432)

**NOTES**

- All dimensions are in inches (mm).
- Dimensions may vary ±3/8" (10).
- Not for construction purposes unless certified.
- Suction & discharge flanges – American Standard flat face.
- \*5" 1924 and 6" 1924 standard 150# suction flanges & 300# discharge flanges.
- †5" 1924 and 6" 1924 opt. 300# flanges.

STD. 125# SUCTION FLANGES & 250# DISCHARGE FLANGES*	OPT. 250# FLANGES†
--	-----------------------



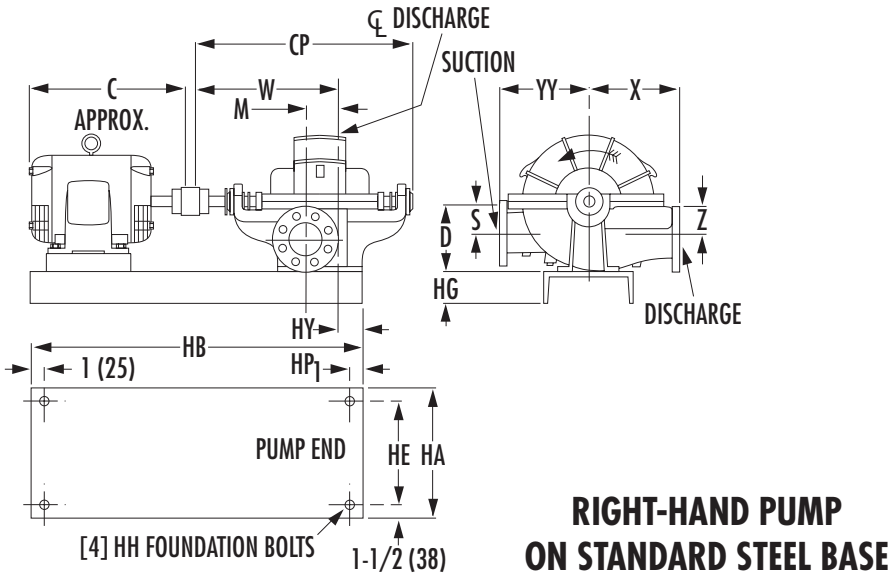
### LEFT-HAND PUMP DIMENSIONS

Model	Pump Size			Power Series	A	B	D	E	G	H	M	O	R	S	U	V	W	X	Z	AA	AB	AC	AD	CP	YY
	Disch.	Suction	Case Bore																						
2" 1923A/ 2" 1923B	2	2-1/2	12	2	8 (203)	10 (254)	9 (229)	3-1/2 (89)	3/4 (19)	5/8 (16)	4-3/4 (121)	19 (483)	4 (102)	4 (102)	1-1/8 (29)	2-3/4 (70)	13-1/4 (337)	10 (254)	5-1/2 (140)	2 (51)	1/4 (6)	1/8 (3)	10-1/2 (268)	26-1/4 (667)	10-1/4 (260)
2-1/2" 1922A	2-1/2	3	12	2	8 (203)	10 (254)	9 (229)	3-1/2 (89)	3/4 (19)	5/8 (16)	5-3/8 (137)	19 (483)	4 (102)	4 (102)	1-1/8 (29)	2-3/4 (70)	13-1/8 (333)	11 (279)	5-1/2 (140)	2 (51)	1/4 (6)	1/8 (3)	10-1/2 (268)	26-1/4 (667)	11 (279)
3" 1923A/ 3" 1923B	3	4	14	3	10 (254)	12 (305)	10 (254)	4-1/4 (108)	7/8 (22)	3/4 (19)	6-3/4 (171)	21 (533)	5 (127)	4-1/2 (114)	1-3/8 (35)	3 (76)	15-1/4 (387)	12 (305)	6 (152)	2 (51)	3/8 (10)	3/16 (5)	12 (305)	31 (787)	12-3/8 (314)
4" 1922	4	5	15	3	10 (254)	12 (305)	11 (279)	4-1/4 (108)	7/8 (22)	3/4 (19)	7-1/8 (181)	23 (584)	5 (127)	5 (127)	1-3/8 (35)	3 (76)	15-1/8 (384)	13 (330)	6-1/2 (165)	2 (51)	3/8 (10)	3/16 (5)	12 (305)	31 (787)	13-1/2 (343)
5" 1924	5	5	12	4A	15 (381)	16 (305)	14 (356)	6-1/2 (165)	1 (25)	7/8 (22)	6-5/8 (168)	24-1/4 (616)	7 (178)	7 (178)	1-1/2 (38)	3-5/8 (92)	18-1/8 (460)	13 (330)	7 (178)	2-1/2 (64)	3/8 (10)	3/16 (5)	12-1/2 (318)	35-3/8 (899)	13 (330)
5" 1922	5	6	15	4	12 (305)	14 (356)	12-1/2 (318)	5 (127)	1 (25)	7/8 (22)	9-1/8 (232)	24-1/2 (622)	6 (152)	5-1/2 (140)	1-1/2 (38)	3-1/2 (89)	16-7/8 (429)	15 (381)	7-1/2 (191)	2 (51)	3/8 (10)	3/16 (5)	13 (330)	34-1/2 (876)	15-7/16 (392)
6" 1924	6	6	12	5A	16 (406)	19 (483)	15 (381)	7 (178)	1 (25)	7/8 (22)	7-1/2 (191)	26-1/4 (667)	8-1/2 (216)	8 (203)	1-3/4 (44)	4 (102)	19-5/8 (498)	14 (356)	8 (203)	2-3/4 (70)	3/8 (10)	3/16 (5)	12-3/4 (324)	38-1/2 (978)	14 (356)
6" 1922A/ 6" 1922B	6	8	17	5	12 (305)	14 (356)	14-3/4 (375)	5 (127)	1 (25)	7/8 (22)	11 (279)	28-1/4 (718)	6 (152)	7 (178)	1-3/4 (44)	4 (102)	17-1/2 (445)	16 (406)	9 (229)	2-7/8 (73)	3/8 (10)	3/16 (5)	15 (381)	38 (965)	16-1/2 (419)
6" 1923/ 6" 1923B	6	8	16/ 16B	5	12 (305)	14 (356)	16-1/2 (419)	5 (127)	1 (25)	7/8 (22)	10-1/2 (267)	33-1/2 (851)	6 (152)	8-1/4 (210)	1-3/4 (44)	4 (102)	23-5/8 (600)	19 (483)	7-3/4 (197)	2-7/8 (73)	3/8 (10)	3/16 (5)	15 (381)	37-7/8 (962)	17 (432)

**NOTES**

- All dimensions are in inches (mm).
- Dimensions may vary  $\pm 3/8"$  (10).
- Not for construction purposes unless certified.
- Suction & discharge flanges – American Standard flat face.
- \*5" 1924 and 6" 1924 standard 150# suction flanges & 300# discharge flanges.
- †5" 1924 and 6" 1924 opt. 300# flanges.





BASE	SIZE	HA	HB	HE	HG	HH	HP
4	12x34	12 (305)	34 (863)	9 (228)	3 (76)	1/2 (13)	20 (508)
5	12x38	12 (305)	38 (964)	9 (228)	3 (76)	1/2 (13)	20 (508)
7	13x42	13 (330)	42 (1066)	10 (254)	4 (102)	5/8 (16)	24 (609)
9	15x44	15 (381)	44 (1117)	12 (305)	3-3/8 (86)	5/8 (16)	24 (609)
11	18x48	18 (457)	48 (1218)	15 (381)	4 (102)	5/8 (16)	1 (25)
12	18x54	18 (457)	54 (1371)	15 (381)	4 (102)	5/8 (16)	1 (25)
13	18x60	18 (457)	60 (1523)	15 (381)	4 (102)	5/8 (16)	24 (609)
15	22x60	22 (558)	60 (1523)	19 (482)	4 (102)	5/8 (16)	1 (25)
16	22x72	22 (558)	72 (1827)	19 (482)	4 (102)	5/8 (16)	1 (25)
17	22x84	22 (558)	84 (2134)	19 (482)	4 (102)	5/8 (16)	1 (25)

Model	PUMP SIZE			POWER SERIES	D	M	S	W	Z	CP	HY	X	YY	C FRAME	145T	182T	184T	213T	215T	254T	256T	284T	286T	286TS	324TS	324T	326TS	326T	364TS	364T	365TS	404TS	404T	405TS	405T	444TS	444T	447TS	449TS			
	DISCH.	SUCTION	CASE BORE												125# SUCTION FLANGE, 250# DISCHARGE FLANGE	250# SUCTION AND DISCHARGE FLANGES	STANDARD 5" 1924 & 6" 1924 150# SUCTION FLANGE, 300# DISCHARGE FLANGE	OPTIONAL 5" 1924 & 6" 1924 300# SUCTION AND DISCHARGE FLANGES	(305)	(330)	(355)	(406)	(457)	(533)	(584)	(558)	(609)	(609)	(635)	(635)	(660)	(660)	(711)	(685)	(736)	(711)	(761)	(761)	(838)	(787)	(863)	(863)
2" 1923A/ 2" 1923B	2	2-1/2	12	2	9 (228)	4-3/4 (121)	4 (102)	15-3/4 (400)	5-1/2 (140)	26-1/4 (666)	3-3/4 (95)	10 (254)	10-1/4 (260)	BASE	4	4	4	5	5	9	9	9	9	9	11	11	11	11	11	11	11	11	11	11	11	11	11	11	11	11		
2-1/2" 1922A	2-1/2	3	12	2	9-3/4 (248)	5-3/8 (136)	4 (102)	15-7/8 (403)	5-1/2 (140)	26-1/4 (666)	3-5/8 (92)	11 (279)	11 (279)	BASE	4	4	4	5	5	9	9	9	9	9	11	11	11	11	11	11	11	11	11	11	11	11	11	11	11	11	11	11
3" 1923A/ 3" 1923B	3	4	14	3	11 (279)	6-3/4 (171)	4-1/2 (114)	18-3/4 (476)	6 (152)	31 (787)	4-1/4 (108)	12 (305)	12-3/8 (314)	BASE	5	5	7	7	9	11	11	11	11	11	11	12	12	12	12	12	12	12	12	15	15	15	15	15	15	15	15	15
4" 1922	4	5	15	3	11 (279)	7-1/8 (181)	5 (130)	18-7/8 (479)	6-1/2 (165)	31 (787)	4-1/8 (105)	13 (330)	13-1/2 (343)	BASE					9	11	11	11	11	11	11	12	12	12	12	12	12	15	15	15	15	15	15	15	15	15	15	
5" 1924	5	5	12	4A	14 (356)	6-5/8 (168)	7 (178)	20-7/8 (530)	7 (178)	35-3/8 (899)	11-1/8 (283)	13 (330)	13 (330)	BASE																			16	16	16	16	16	17	17	17		
5" 1922	5	6	15	4	12-1/2 (317)	9-1/8 (232)	5-1/2 (140)	21-1/8 (536)	7-1/2 (190)	34-1/2 (876)	4-7/8 (124)	15 (381)	15-7/16 (392)	BASE					11	12	12	12	12	12	12	12	12	12	12	12	13	15	15	15	15	16	16	16	16	16		
6" 1924	6	6	12	5A	15 (381)	7-1/2 (191)	8 (203)	22-7/8 (581)	8 (203)	38-1/2 (978)	10-7/8 (276)	14 (356)	14 (356)	BASE																			16	16	16	16	16	16	16	16		
6" 1922A/ 6" 1922B	6	8	17	5	14-3/4 (374)	11 (279)	7 (178)	24-1/2 (622)	9 (228)	38 (964)	3-1/2 (89)	16 (406)	16-1/2 (419)	BASE					12	12	12	12	12	12	12	12	12	13	13	13	13	15	15	15	15	16	16	16	16	16	16	
6" 1923/ 6" 1923B	6	8	16/ 16B	5	16-1/2 (419)	10-1/2 (267)	8-1/4 (210)	23-5/8 (600)	7-3/4 (197)	37-7/8 (962)	5 (127)	19 (483)	17 (432)	BASE																		13	13	16	16	16	16	16	16	16	17	

- NOTES
- All dimensions are in inches.
  - Dimensions may vary ±3/8".
  - Not for construction purposes unless certified.
  - Coupling gap may vary 1/8" through 1".
  - Conduit box is shown in approximate location. Dimensions are not specified as they vary with each motor manufacturer.
  - Suction and discharge flanges are ANSI standard flat face.







**THIS PAGE LEFT BLANK INTENTIONALLY**