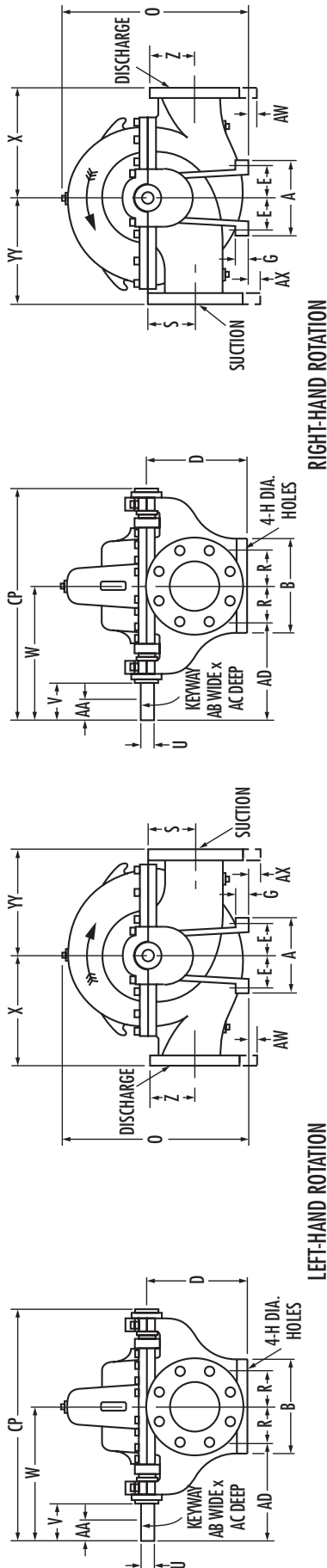


1800 Series Horizontal Split Case Pumps Technical Data

Table of Contents

Basic Pump Dimensions.....	091–098
Base Dimensions.....	099
Setting Plans	100–106

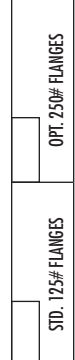
Notes:



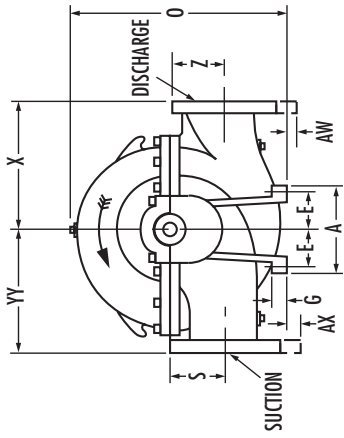
RIGHT-HAND ROTATION

LEFT-HAND ROTATION

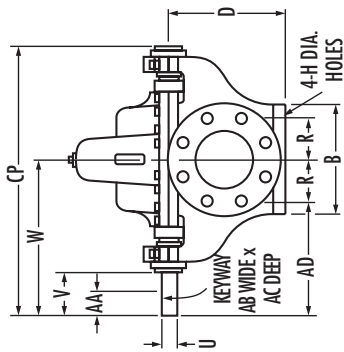
Pump	Disch.	Suction	Power Series	A	B	D	E	G	H	O	R	S	U	V	W	X	Z	AA	AB	AC	AD	AW	AX	CP	YY
2" 1823	2	2-1/2	1	6-1/2 (165)	8 (203)	7 (178)	2-3/4 (70)	5/8 (16)	1/2 (13)	13-3/8 (340)	3-1/4 (83)	3-1/2 (89)	3/4 (19)	3-1/2 (89)	11-5/8 (295)	8-1/2 (216)	3-1/2 (89)	2 (51)	3/16 (5)	3/32 (2)	8-3/8 (213)	-	1/4 (6)	20-1/2 (521)	9 (229)
2" 1824	2	2-1/2	1	6-1/2 (165)	8 (203)	7 (178)	2-3/4 (70)	5/8 (16)	1/2 (13)	13-1/2 (343)	3-1/4 (83)	3-1/2 (89)	3/4 (19)	3-1/2 (89)	11-5/8 (295)	8-1/2 (216)	3-1/2 (89)	2 (51)	3/16 (5)	3/32 (2)	8-3/8 (213)	-	1/4 (6)	20-1/2 (521)	9 (229)
2" 1825	2	2-1/2	1	6-1/2 (165)	8 (203)	8 (203)	2-3/4 (70)	5/8 (16)	1/2 (13)	15-7/8 (403)	3-1/4 (83)	4 (102)	3/4 (19)	3-1/2 (89)	11-5/8 (295)	10 (266)	4 (102)	2 (51)	3/16 (5)	3/32 (2)	8-3/8 (213)	-	-	20-1/2 (521)	10-3/4 (273)
2-1/2" 1823	2-1/2	3	2	8 (203)	10 (254)	8 (203)	3-1/2 (89)	3/4 (19)	1/2 (13)	16 (406)	4 (102)	4 (102)	1-1/8 (29)	2-7/8 (73)	13-1/2 (343)	9-3/4 (248)	4 (102)	2-1/8 (54)	1/4 (6)	1/8 (3)	9-1/2 (241)	-	-	24 (610)	10 (254)
2-1/2" 1824	2-1/2	3	2	8 (203)	10 (254)	9 (229)	3-1/2 (89)	3/4 (19)	1/2 (13)	17-1/4 (438)	4 (102)	4-1/2 (114)	1-1/8 (29)	2-7/8 (73)	13-1/2 (343)	11 (305)	4-1/2 (114)	2-1/8 (54)	1/4 (6)	1/8 (3)	9-1/2 (241)	-	-	24 (610)	11-1/2 (292)
3" 1824	3	4	2	6 (152)	10 (254)	9 (229)	4-1/4 (111)	3/4 (19)	1/2 (13)	16-1/4 (413)	4 (102)	4-1/2 (114)	1-1/8 (29)	2-7/8 (73)	13-1/2 (343)	10 (266)	4-1/2 (114)	2-1/8 (54)	1/4 (6)	1/8 (3)	9-1/2 (241)	-	1/2 (13)	24 (610)	11 (286)
3" 1825	3	4	2	8 (203)	10 (254)	10 (266)	3-1/2 (89)	3/4 (19)	1/2 (13)	19-3/8 (492)	4 (102)	5 (127)	1-1/8 (29)	2-7/8 (73)	13-1/2 (343)	12 (305)	5 (127)	2-1/8 (54)	1/4 (6)	1/8 (3)	9 (241)	-	-	24 (610)	13 (330)
4" 1822	4	5	2	8 (203)	10 (254)	9 (229)	3-1/2 (89)	3/4 (19)	1/2 (13)	16-1/4 (413)	4 (102)	4-5/8 (117)	1-1/8 (29)	2-7/8 (73)	13-1/2 (343)	10 (266)	4-1/2 (114)	2-1/8 (54)	1/4 (6)	1/8 (3)	9 (241)	-	1-1/8 (29)	24 (610)	11-1/4 (300)
4" 1823C	4	5	3	10 (254)	12 (305)	10 (266)	4-1/4 (111)	7/8 (19)	3/4 (19)	18-3/8 (467)	5 (127)	5 (127)	1-3/8 (33)	3 (76)	14-1/2 (368)	11-1/4 (286)	5 (127)	2-3/8 (60)	3/16 (5)	1/2 (13)	9 (241)	-	1/2 (13)	26 (660)	12-3/4 (324)
4" 1823D	4	5	3	10 (254)	12 (305)	11 (305)	4-1/4 (111)	7/8 (19)	3/4 (19)	18-3/8 (467)	5 (127)	5 (127)	1-3/8 (33)	3 (76)	14-1/2 (368)	12 (305)	5 (127)	2-3/8 (60)	3/16 (5)	1/2 (13)	9 (241)	-	1/2 (13)	26 (660)	12-3/4 (324)
4" 1824	4	5	3	10 (254)	12 (305)	11 (305)	4-1/4 (111)	7/8 (19)	3/4 (19)	21-1/8 (537)	5 (127)	5-1/2 (140)	1-3/8 (33)	3 (76)	14-1/2 (368)	13 (330)	5-1/2 (140)	2-3/8 (60)	3/16 (5)	1/2 (13)	9-1/2 (241)	-	-	26 (660)	14 (356)
4" 1825	4	6	4	10 (254)	12 (305)	12-1/2 (318)	4-1/4 (111)	3/4 (19)	1/2 (13)	24-1/4 (616)	5 (127)	6-1/4 (159)	1-1/2 (38)	3-1/2 (89)	16 (406)	14 (330)	6-1/4 (159)	2-7/8 (73)	3/16 (5)	1/2 (13)	11 (279)	-	-	28-1/2 (724)	16 (406)
5" 1822	5	6	4	10 (254)	12 (305)	11 (305)	4-1/4 (111)	7/8 (19)	3/4 (19)	19-3/4 (502)	5 (127)	5-1/2 (140)	1-1/2 (38)	3-1/2 (89)	16 (406)	11-1/4 (286)	5-1/2 (140)	2-7/8 (73)	3/16 (5)	1/2 (13)	11 (279)	-	3/4 (19)	28-1/2 (724)	13-1/4 (337)
5" 1823	5	6	4	10 (254)	12 (305)	12-1/2 (318)	4-1/4 (111)	7/8 (19)	3/4 (19)	22-1/2 (556)	5 (127)	5-1/2 (140)	1-1/2 (38)	3-1/2 (89)	16 (406)	13-1/4 (330)	6-1/4 (159)	2-7/8 (73)	3/16 (5)	1/2 (13)	11 (279)	-	-	28-1/2 (724)	15 (368)
5" 1824	5	6	4	10 (254)	12 (305)	12-1/2 (318)	4-1/4 (111)	7/8 (19)	3/4 (19)	22-1/2 (556)	5 (127)	5-1/2 (140)	1-1/2 (38)	3-1/2 (89)	16 (406)	14 (330)	6-1/4 (159)	2-7/8 (73)	3/16 (5)	1/2 (13)	11 (279)	-	-	28-1/2 (724)	15 (368)
6" 1822	6	8	4	10 (254)	12 (305)	12-1/2 (318)	4-1/4 (111)	7/8 (19)	3/4 (19)	21-7/8 (556)	5 (127)	6-1/4 (159)	1-1/2 (38)	3-1/2 (89)	16 (406)	11-3/4 (298)	6-1/4 (159)	2-7/8 (73)	3/16 (5)	1/2 (13)	11 (279)	-	1-1/4 (32)	28-1/2 (724)	14-1/2 (368)
6" 1822HH	6	8	4A	12 (305)	14-1/2 (368)	16-1/2 (413)	5 (127)	1-1/4 (32)	7/8 (19)	25-1/2 (648)	6 (152)	8-5/8 (222)	1-1/2 (38)	3-1/2 (89)	18-1/8 (461)	10 (266)	8-5/8 (222)	2 (51)	3/8 (10)	3/16 (5)	12-1/8 (308)	-	-	32-3/4 (832)	16 (406)
8" 1821	8	8	4	10 (254)	12 (305)	12-1/2 (318)	4-1/4 (111)	7/8 (19)	3/4 (19)	21-3/4 (552)	5 (127)	6-1/4 (159)	1-1/2 (38)	3-1/2 (89)	16 (406)	12 (305)	6-1/4 (159)	2-7/8 (73)	3/16 (5)	1/2 (13)	11 (279)	-	1-1/4 (32)	28-1/2 (724)	14-1/2 (368)



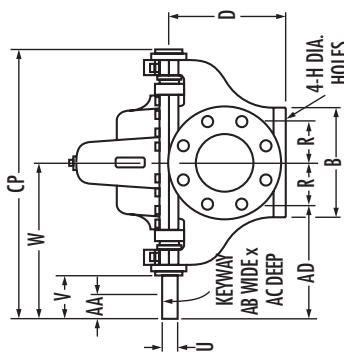
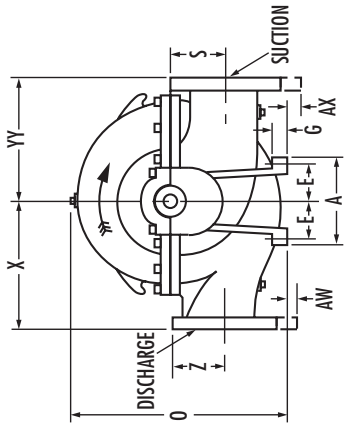
NOTES:
 1. All dimensions in inches (mm).
 2. Dimensions may vary ± 3/8" (10).
 3. Not for construction purposes unless certified.
 4. Discharge and suction flanges – ANSI Standard flat face.



RIGHT-HAND ROTATION



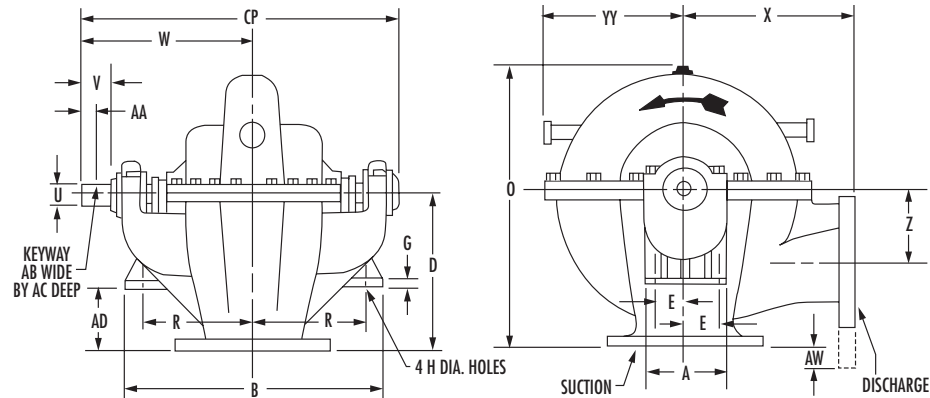
LEFT-HAND ROTATION



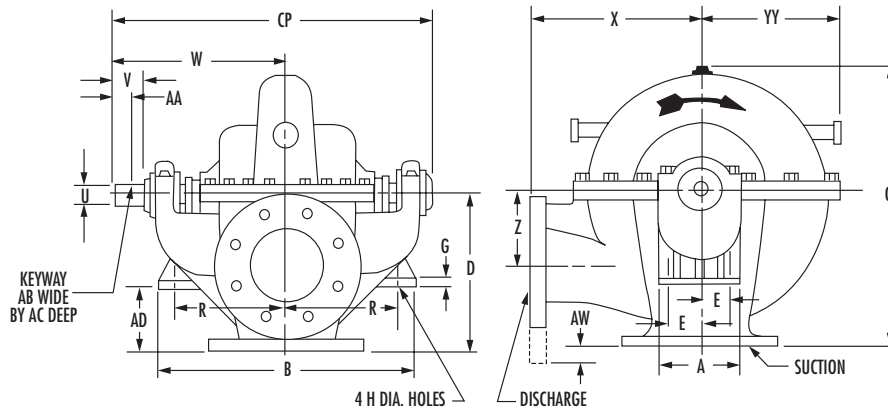
Pump	Disch.	Suction	Power Series	A	B	D	E	G	H	O	R	S	U	V	W	X	Z	AA	AB	AC	AD	AW	AX	CP	YY
6" 1823HH	6	8	5A	14-1/2 (305)	368	16-1/2 (351)	5 (127)	1-1/4 (32)	7/8 (22)	26-21/32 (609)	6 (152)	7-1/2 (191)	1-3/4 (44)	4-1/8 (105)	20-7/16 (519)	15 (381)	7-1/2 (191)	2-7/8 (73)	3/8 (10)	3/16 (5)	14-7/16 (367)	-	-	36-3/4 (933)	17 (432)
6" 1823	6	8	5	14 (305)	356	13-1/2 (343)	5 (127)	1 (25)	7/8 (22)	24-7/8 (632)	6 (152)	6-3/4 (171)	1-3/4 (44)	4 (102)	18 (457)	14-1/4 (362)	6-3/4 (171)	2-7/8 (73)	3/8 (10)	3/16 (5)	12 (305)	-	3/4 (19)	32 (813)	16-3/4 (425)
6" 1824	6	8	5	12 (305)	356	14-3/4 (375)	5 (127)	3/4 (19)	7/8 (22)	21-1/4 (54)	6 (152)	8 (203)	1-3/4 (44)	4 (102)	18 (457)	16 (406)	8 (203)	2-7/8 (73)	3/8 (10)	3/16 (5)	12 (305)	-	3/4 (19)	32 (813)	18 (457)
6" 1825	6	8	5	12 (305)	356	14-3/4 (375)	5 (127)	1 (25)	7/8 (22)	27-3/4 (705)	6 (152)	8 (203)	1-3/4 (44)	4 (102)	18 (457)	15-3/4 (400)	8 (203)	2-7/8 (73)	3/8 (10)	3/16 (5)	12 (305)	-	3/4 (19)	32 (813)	18 (457)
8" 1822	8	10	5	12 (305)	356	14-3/4 (375)	5 (127)	1-1/4 (32)	7/8 (22)	26-3/8 (670)	6 (152)	8 (203)	1-3/4 (44)	4 (102)	18 (457)	17 (432)	9 (229)	2-7/8 (73)	3/8 (10)	3/16 (5)	12 (305)	1-3/4 (44)	2 (51)	32 (813)	17-3/4 (451)
8" 1823	8	10	5	12 (305)	356	14-3/4 (375)	5 (127)	1-1/4 (32)	7/8 (22)	26-5/8 (676)	6 (152)	8 (203)	1-3/4 (44)	4 (102)	18 (457)	17 (432)	9 (229)	2-7/8 (73)	3/8 (10)	3/16 (5)	12 (305)	1-3/4 (44)	2 (51)	32 (813)	17-3/4 (451)
8" 1824	8	10	5	12 (305)	356	14-3/4 (375)	5 (127)	1-1/4 (32)	7/8 (22)	27-1/8 (689)	6 (152)	8 (203)	1-3/4 (44)	4 (102)	18 (457)	17 (432)	8 (203)	2-7/8 (73)	3/8 (10)	3/16 (5)	12 (305)	1-3/4 (44)	2 (51)	32 (813)	17-3/4 (451)
8" 1825	8	10	6B	508	432	18-1/2 (470)	9 (229)	1 (25)	7/8 (22)	32-1/2 (826)	7-1/2 (191)	9-1/2 (241)	2-1/8 (54)	5-7/16 (138)	21-7/8 (556)	18 (457)	9-1/2 (241)	4-3/4 (121)	1/2 (13)	1/4 (6)	14-3/8 (365)	-	38 (965)	38 (965)	21 (533)
10" 1822B	10	12	6B	559	559	23 (584)	6-1/2 (165)	1 (25)	7/8 (22)	35-1/2 (902)	10 (254)	12 (305)	2-1/8 (54)	5-7/16 (138)	21-7/8 (556)	16 (406)	12 (305)	4-3/4 (121)	1/2 (13)	1/4 (6)	11-7/8 (302)	-	38 (965)	38 (965)	19 (483)
10" 1823B&C	10	12	6B	559	559	25 (635)	6-1/2 (165)	1 (25)	7/8 (22)	38-1/2 (978)	10 (254)	13-1/2 (343)	2-1/8 (54)	5-7/16 (138)	21-7/8 (556)	17 (432)	13-1/2 (343)	4-3/4 (121)	1/2 (13)	1/4 (6)	11-7/8 (302)	-	38 (965)	38 (965)	20 (508)
10" 1824	10	12	6B	559	559	25 (635)	6-1/2 (165)	1 (25)	7/8 (22)	39-1/2 (991)	10 (254)	13-1/2 (343)	2-1/8 (54)	5-7/16 (138)	21-7/8 (556)	18 (457)	13-1/2 (343)	4-3/4 (121)	1/2 (13)	1/4 (6)	11-7/8 (302)	-	38 (965)	38 (965)	22 (559)
10" 1824D	10	12	7A	559	559	25 (635)	6-1/2 (165)	1-1/4 (32)	7/8 (22)	40-3/8 (1026)	10 (254)	12-1/4 (311)	2-1/8 (54)	5-3/4 (146)	24-5/16 (618)	20 (508)	12-1/4 (311)	4-3/4 (121)	1/2 (13)	1/4 (6)	14-5/16 (364)	-	42-15/16 (1090)	42-15/16 (1090)	24 (610)
8" 1826	8	12	7	559	559	26 (660)	6-1/2 (165)	1-1/8 (29)	7/8 (22)	43-7/8 (1114)	10 (254)	15 (381)	2-1/2 (64)	6-5/8 (168)	25-1/4 (641)	20 (508)	15 (381)	5 (127)	5/16 (8)	5/16 (8)	15-1/4 (387)	-	43-7/8 (1114)	43-7/8 (1114)	25 (635)
12" 1823B	12	14	7	559	559	24 (610)	6-1/2 (165)	1 (25)	7/8 (22)	39 (991)	10 (254)	15 (381)	2-1/2 (64)	6-5/8 (168)	25-1/4 (641)	17 (432)	15 (381)	5 (127)	5/16 (8)	5/16 (8)	15-1/4 (387)	1-1/4 (32)	38 (965)	38 (965)	22 (559)
12" 1824	12	14	7	559	559	24 (610)	6-1/2 (165)	1 (25)	7/8 (22)	40-1/8 (1019)	10 (254)	15 (381)	2-1/2 (64)	6-5/8 (168)	25-1/4 (641)	18 (457)	15 (381)	5 (127)	5/16 (8)	5/16 (8)	15-1/4 (387)	1-1/4 (32)	38 (965)	38 (965)	23 (584)
14" 1824	14	16	7	559	559	22 (743)	6-1/2 (165)	1 (25)	7/8 (22)	47-1/2 (1207)	10 (254)	16 (406)	2-1/2 (64)	6-5/8 (168)	25-1/4 (641)	22 (559)	16 (406)	5 (127)	5/8 (16)	5/8 (16)	15-1/4 (387)	-	43-7/8 (1114)	43-7/8 (1114)	27 (686)

STD. 125# FLANGES	OPT. 250# FLANGES
-------------------	-------------------

- NOTES:
- All dimensions in inches (mm).
 - Dimensions may vary ± 3/8" (10).
 - Not for construction purposes unless certified.
 - Discharge and suction flanges – ANSI Standard flat face.



RIGHT-HAND ROTATION



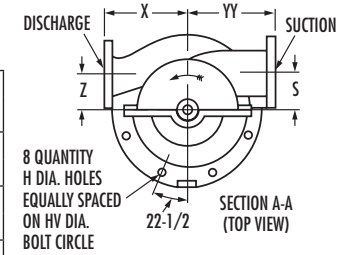
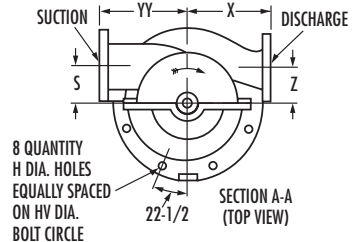
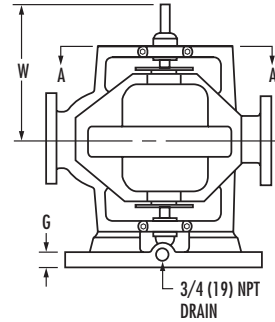
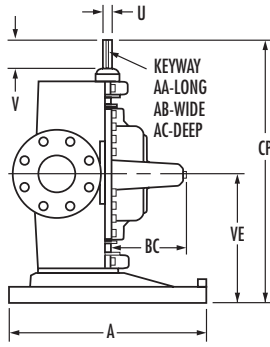
LEFT-HAND ROTATION

Pump	Disch.	Suct.	Power Series	A	B	D	E	G	H	O	R	U	V	W	X	Z	AA	AB	AC	AD	AW	CP	YY
10" 1824	10	12	6B	16-3/4 (425)	26 (660)	25 (635)	7-1/2 (191)	1-1/4 (32)	7/8 (22)	39-1/2 (1003)	11-3/4 (298)	2-1/8 (54)	5-7/16 (138)	21-7/8 (556)	18 (457)	13-1/2 (343)	4-3/4 (121)	1/2 (13)	1/4 (6)	12-1/2 (318)	-	38 (965)	18 (457)
12" 1823B	12	14	7	21 (533)	32 (813)	25 (635)	9 (229)	1-1/4 (32)	7/8 (22)	40 (1016)	14-1/2 (368)	2-1/2 (64)	6-5/8 (168)	25-1/4 (641)	17 (432)	15 (381)	5 (127)	5/8 (16)	5/16 (8)	13-11/16 (348)	1/4 (6)	43-7/8 (1114)	19 (483)

NOTES:

- All dimensions in inches (mm).
- Dimensions may vary $\pm 3/8"$ (10).
- Not for construction purposes unless certified.
- Discharge and suction flanges – ANSI Standard flat face.

STD. 125# FLANGES	OPT. 250# FLANGES

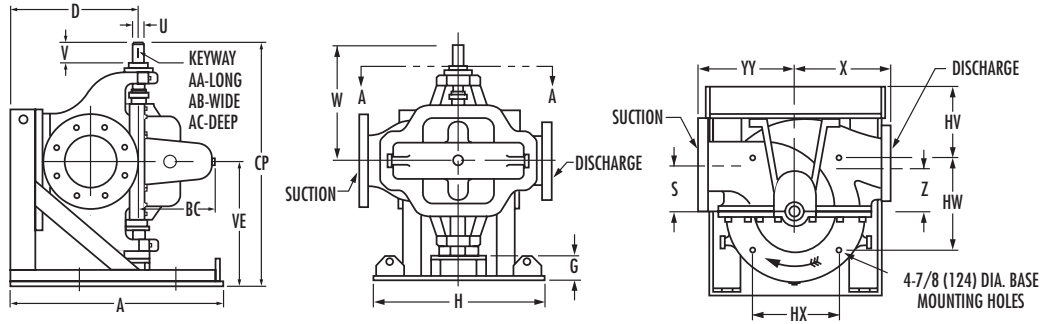


STD. 125# FLANGES	OPT. 250# FLANGES
-------------------	-------------------

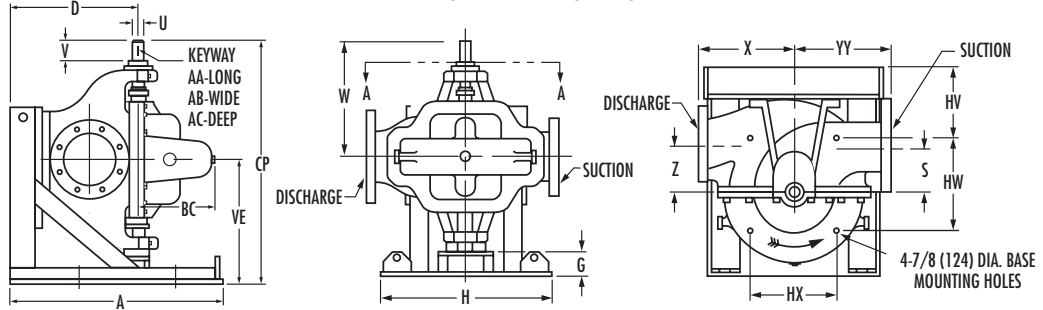
Pump Size		Power Series	Base	S	U	V	W	X	Z	AA	AB	AC	BC	CP	VE	YY
Pump	Disch.			Suct.	S	U	V	W	X	Z	AA	AB	AC	BC	CP	VE
2" 1813	2	2-1/2	1	3-1/2 (89)	3/4 (19)	3-1/2 (89)	11-5/8 (295)	8-1/2 (216)	3-1/2 (89)	2 (51)	3/16 (5)	3/32 (2)	6-3/8 (162)	22-3/4 (578)	11-1/8 (283)	9 (227)
2" 1814	2	2-1/2	1	3-1/2 (89)	3/4 (19)	3-1/2 (89)	11-5/8 (295)	8-1/2 (216)	3-1/2 (89)	2 (51)	3/16 (5)	3/32 (2)	6-3/8 (162)	22-3/4 (578)	11-1/8 (283)	9 (227)
2" 1815	2	2-1/2	1	4 (102)	3/4 (19)	3-1/2 (89)	11-5/8 (295)	10 (254)	4 (102)	2 (51)	3/16 (5)	3/32 (2)	7-7/8 (200)	22-3/4 (578)	11-1/8 (283)	10-3/4 (273)
2-1/2" 1813	2-1/2	3	2	4 (102)	1-1/8 (29)	2-7/8 (73)	13-1/2 (343)	9-3/4 (248)	4 (102)	2-1/8 (54)	1/4 (6)	1/8 (3)	8 (203)	26-1/2 (673)	13 (330)	10 (254)
2-1/2" 1814	2-1/2	3	2	4-1/2 (114)	1-1/8 (29)	2-7/8 (73)	13-1/2 (343)	11 (279)	4-1/2 (114)	2-1/8 (54)	1/4 (6)	1/8 (3)	8-1/4 (209)	26-1/2 (673)	13 (330)	11-1/2 (292)
3" 1814	3	4	2	4-1/2 (114)	1-1/8 (29)	2-7/8 (73)	13-1/2 (343)	10 (254)	4-1/2 (114)	2-1/8 (54)	1/4 (6)	1/8 (3)	7-3/16 (183)	26-1/2 (673)	13 (330)	11 (279)
3" 1815	3	4	2	5 (127)	1-1/8 (29)	2-7/8 (73)	13-1/2 (343)	12 (305)	5 (127)	2-1/8 (54)	1/4 (6)	1/8 (3)	9-3/8 (238)	26-1/2 (673)	13 (330)	13 (330)
4" 1812	4	5	2	4-5/8 (117)	1-1/8 (29)	2-7/8 (73)	13-1/2 (343)	10 (254)	4-1/2 (114)	2-1/8 (54)	1/4 (6)	1/8 (3)	7-3/16 (183)	26-1/2 (673)	13 (330)	11-1/4 (286)
4" 1813	4	5	3	5 (127)	1-3/8 (35)	3 (76)	14-1/2 (356)	11-1/4 (286)	5 (127)	2-3/8 (60)	3/8 (10)	3/16 (5)	8-5/16 (211)	28-1/2 (724)	14 (356)	12-3/4 (324)
4" 1813D	4	5	3	5 (127)	1-3/8 (35)	3 (76)	14-1/2 (356)	11-1/4 (286)	5 (127)	2-3/8 (60)	3/8 (10)	3/16 (5)	8-5/16 (211)	28-1/2 (724)	14 (356)	12-3/4 (324)
4" 1814	4	5	3	5-1/2 (140)	1-3/8 (35)	3 (76)	14-1/2 (356)	13 (330)	5-1/2 (140)	2-3/8 (60)	3/8 (10)	3/16 (5)	9 (227)	28-1/2 (724)	14 (356)	14 (356)
4" 1815	4	6	4	6-1/4 (159)	1-1/2 (38)	3-1/2 (89)	16 (406)	14 (356)	6-1/4 (159)	2-7/8 (73)	3/8 (10)	3/16 (5)	11-3/4 (298)	31 (787)	15 (381)	16 (406)
5" 1812	5	6	4	5-1/2 (140)	1-1/2 (38)	3-1/2 (89)	16 (406)	11-1/4 (286)	5-1/2 (140)	2-7/8 (73)	3/8 (10)	3/16 (5)	8-3/4 (222)	31 (787)	15 (381)	13-1/4 (337)
5" 1813	5	6	4	6-1/4 (159)	1-1/2 (38)	3-1/2 (89)	16 (406)	13-1/4 (337)	6-1/4 (159)	2-7/8 (73)	3/8 (10)	3/16 (5)	10-1/16 (256)	31 (787)	15 (381)	15 (381)
5" 1814	5	6	4	6-1/4 (159)	1-1/2 (38)	3-1/2 (89)	16 (406)	14 (356)	6-1/4 (159)	2-7/8 (73)	3/8 (10)	3/16 (5)	10-1/16 (256)	31 (787)	15 (381)	15 (381)
6" 1812	6	8	4	6-1/4 (159)	1-1/2 (38)	3-1/2 (89)	16 (406)	11-3/4 (298)	6-1/4 (159)	2-7/8 (73)	3/8 (10)	3/16 (5)	9-1/4 (235)	31 (787)	15 (381)	14-1/2 (356)
6" 1812HH ⁵	6	8	4A	8-5/8 (219)	1-1/2 (38)	3-1/2 (89)	18-1/8 (461)	10 (254)	8-5/8 (219)	2-11/16 (69)	3/8 (10)	3/16 (5)	9-7/16 (240)	35-1/4 (896)	17-1/8 (436)	15 (381)
6" 1813HH ⁵	6	8	5A	7-1/2 (191)	1-3/4 (44)	4-1/8 (105)	20-7/16 (519)	15 (381)	7-1/2 (191)	3-3/8 (86)	3/8 (10)	3/16 (5)	10-3/16 (258)	39-7/8 (1013)	19-7/16 (494)	17 (432)
8" 1811	8	8	4	6-1/4 (159)	1-1/2 (38)	3-1/2 (89)	16 (406)	12 (305)	6-1/4 (159)	2-7/8 (73)	3/8 (10)	3/16 (5)	9-3/4 (248)	31 (787)	15 (381)	14-1/2 (356)
6" 1813	6	8	5	6-3/4 (171)	1-3/4 (44)	4 (102)	18 (457)	14-1/4 (362)	6-3/4 (171)	2-7/8 (73)	3/8 (10)	3/16 (5)	11-5/16 (287)	35 (889)	17 (432)	16-3/4 (425)
6" 1814	6	8	5	8 (203)	1-3/4 (44)	4 (102)	18 (457)	16 (406)	8 (203)	2-7/8 (73)	3/8 (10)	3/16 (5)	12-1/2 (318)	35 (889)	17 (432)	18 (457)
6" 1815	8	8	5	8 (203)	1-3/4 (44)	4 (102)	18 (457)	15-3/4 (400)	8 (203)	2-7/8 (73)	3/8 (10)	3/16 (5)	12-15/16 (329)	35 (889)	17 (432)	18 (457)
8" 1812	8	10	5	8 (203)	1-3/4 (44)	4 (102)	18 (457)	17 (432)	9 (227)	2-7/8 (73)	3/8 (10)	3/16 (5)	11-9/16 (294)	35 (889)	17 (432)	17-3/4 (438)
8" 1813	8	10	5	8 (203)	1-3/4 (44)	4 (102)	18 (457)	17 (432)	9 (227)	2-7/8 (73)	3/8 (10)	3/16 (5)	11-13/16 (300)	35 (889)	17 (432)	17-3/4 (438)
8" 1814	8	10	5	8 (203)	1-3/4 (44)	4 (102)	18 (457)	17 (432)	8 (203)	2-7/8 (73)	3/8 (10)	3/16 (5)	12-3/8 (314)	35 (889)	17 (432)	17-3/4 (438)
10" 1812B	10	12	6B	12 (305)	2-1/8 (54)	5-1/2 (140)	21 (556)	16 (406)	12 (305)	4-3/4 (121)	1/2 (13)	1/4 (6)	12-1/2 (318)	40-7/8 (1038)	19 (483)	19 (483)

BASE	1	2	3	4
A	18 (457)	22 (559)	30 (762)	40 (1016)
G	1-3/4 (44)	1-3/4 (44)	2 (51)	2-1/4 (57)
H	3/4 (19)	3/4 (19)	7/8 (22)	7/8 (22)
HV	16-1/4 (413)	20 (508)	28 (711)	38 (965)

- NOTES:
1. All dimensions in inches (mm).
 2. Dimensions may vary $\pm 3/8"$ (10).
 3. Not for construction purposes unless certified.
 4. Discharge and suction flanges – ANSI Standard flat face.
 5. Pump sizes 6"1812HH & 6"1813HH are furnished as standard with 125# suction flange and 250# discharge flange.



RIGHT-HAND ROTATION



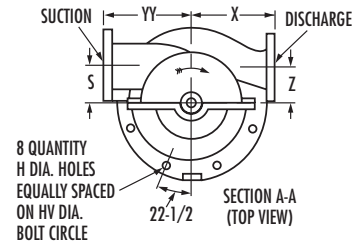
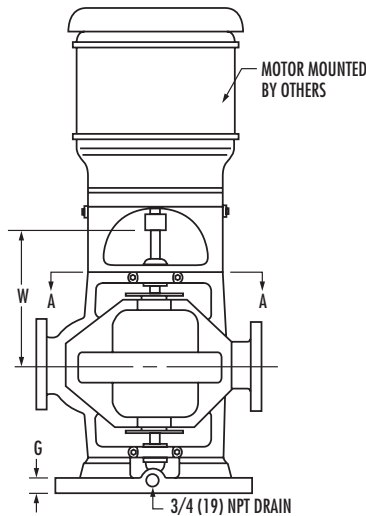
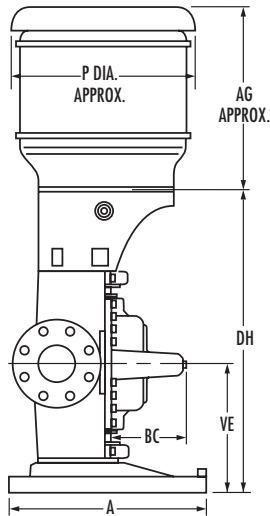
LEFT-HAND ROTATION

Pump Size			Power Series	BASE	D	S	U	V	W	X	Z	AA	AB	AC	BC	CP	VE	YY
Pump	Disch.	Suct.																
8" 1815	8	10	6B	4	25-1/4 (641)	9-1/2 (241)	2-1/8 (54)	5-7/16 (138)	21-7/8 (556)	18 (457)	9-1/2 (241)	4-3/4 (121)	1/2 (13)	1/4 (6)	14 (356)	47 (1194)	25-1/8 (638)	21 (533)
10" 1813	10	12	6B	1	31-3/4 (806)	13-1/2 (343)	2-1/8 (54)	5-7/16 (138)	21-7/8 (556)	17 (432)	13-1/2 (343)	4-3/4 (121)	1/2 (13)	1/4 (6)	13-1/2 (343)	47 (1194)	25-1/8 (638)	20 (508)
10" 1814	10	12	6B	1	31-3/4 (806)	13-1/2 (343)	2-1/8 (54)	5-7/16 (138)	21-7/8 (556)	18 (457)	13-1/2 (343)	4-3/4 (121)	1/2 (13)	1/4 (6)	14-1/2 (368)	47 (1194)	25-1/8 (638)	22 (559)
10" 1814D	10	12	7A	5	31-3/4 (806)	12-1/4 (311)	2-1/8 (54)	6-5/16 (160)	24-5/16 (556)	20 (508)	12-1/4 (311)	4-3/4 (121)	1/2 (13)	1/4 (6)	15-1/16 (383)	52 (1321)	27-5/8 (702)	24 (610)
12" 1813	12	14	7	2	33-3/4 (857)	15 (381)	2-1/2 (64)	6-5/8 (168)	25-1/4 (641)	17 (432)	15 (381)	5 (127)	5/8 (16)	5/16 (8)	15 (381)	51-1/4 (1302)	26 (660)	22 (559)
12" 1814	12	14	7	2	33-3/4 (857)	15 (381)	2-1/2 (64)	6-5/8 (168)	25-1/4 (641)	18 (457)	15 (381)	5 (127)	5/8 (16)	5/16 (8)	16-1/8 (410)	51-1/4 (1302)	26 (660)	23 (584)
12" 1814	14	16	7	3	36 (914)	16 (406)	2-1/2 (64)	6-5/8 (168)	25-1/4 (641)	22 (559)	16 (406)	5 (127)	5/8 (16)	5/16 (8)	18-1/4 (464)	51-1/4 (1302)	26 (660)	27 (686)

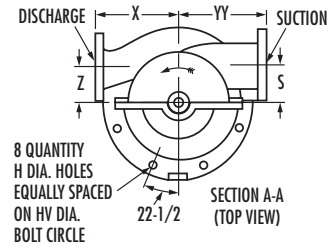
BASE	1	2	3	4	5
A	38 (965)	46 (1168)	48 (1219)	40 (1016)	50 (1270)
G	9-5/8 (244)	8 (203)	8 (203)	9-5/8 (244)	9-5/8 (245)
H	36-1/2 (927)	35 (889)	35 (889)	36-1/2 (927)	44-1/2 (1130)
HV	8 (203)	8 (203)	8 (203)	8 (203)	8 (203)
HW	26 (660)	34 (864)	36 (914)	28 (711)	34 (864)
HX	22 (559)	19 (483)	19 (483)	22 (559)	22 (559)

STD. 125# FLANGES	OPT. 250# FLANGES
-------------------	-------------------

- NOTES:
- All dimensions in inches (mm).
 - Dimensions may vary ± 3/8" (10).
 - Not for construction purposes unless certified.
 - Discharge and suction flanges – ANSI Standard flat face.



RIGHT-HAND ROTATION



LEFT-HAND ROTATION

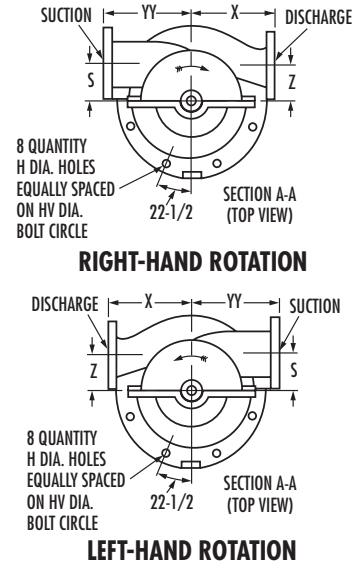
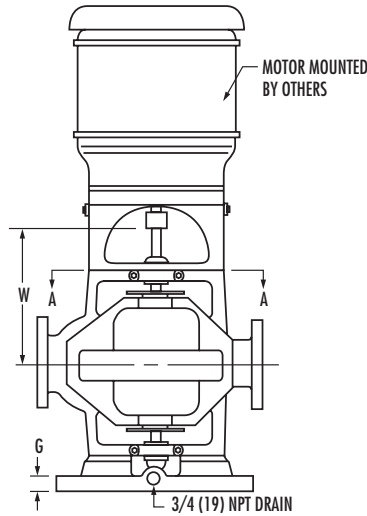
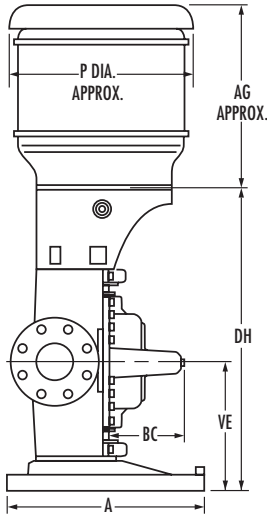
Pump Size			Power Series	Base	S	W	X	Z	BC	VE	YY
Pump	Disch.	Suct.									
2" 1843	2	2-1/2	1	1	3-1/2 (89)	11-5/8 (295)	8-1/2 (216)	3-1/2 (89)	6-3/8 (162)	11-1/8 (283)	9 (228)
2" 1844	2	2-1/2	1	1	3-1/2 (89)	11-5/8 (295)	8-1/2 (216)	3-1/2 (89)	6-3/8 (162)	11-1/8 (283)	9 (228)
2" 1845	2	2-1/2	1	1	4 (102)	11-5/8 (295)	10 (254)	4 (102)	7-7/8 (200)	11-1/8 (283)	10-3/4 (273)
2-1/2" 1843	2-1/2	3	2	1	4 (102)	13-1/2 (343)	9-3/4 (247)	4 (102)	8 (203)	13 (330)	10 (254)
2-1/2" 1844	2-1/2	3	2	1	4-1/2 (114)	13-1/2 (343)	11 (279)	4-1/2 (114)	8-1/4 (210)	13 (330)	11-1/2 (292)
3" 1844	3	4	2	1	4-1/2 (114)	13-1/2 (343)	10 (254)	4-1/2 (114)	7-3/16 (183)	13 (330)	11 (279)
3" 1845	3	4	2	1	5 (127)	13-1/2 (343)	12 (305)	5 (127)	9-3/8 (238)	13 (330)	13 (330)
4" 1842	4	5	2	1	4-5/8 (117)	13-1/2 (343)	10 (254)	4-1/2 (114)	7-3/16 (183)	13 (330)	11-1/4 (286)
4" 1843A&C	4	5	3	2	5 (127)	14-1/2 (368)	11-1/4 (286)	5 (127)	8-5/16 (211)	14 (356)	12-3/4 (324)
4" 1843D	4	5	3	2	5 (127)	14-1/2 (368)	12 (305)	5 (127)	8-5/16 (211)	14 (356)	12-3/4 (324)
4" 1844	4	5	3	2	5-1/2 (140)	14-1/2 (368)	13 (330)	5-1/2 (140)	9 (228)	14 (356)	14 (356)

BASE	1	2	3	4
A	18 (457)	22 (558)	30 (762)	40 (1016)
G	1-3/4 (44)	1-3/4 (44)	2 (51)	2-1/4 (57)
H	3/4 (19)	3/4 (19)	7/8 (22)	7/8 (22)
HV	16-1/4 (413)	20 (508)	28 (711)	38 (965)

STD. 125# FLANGES	OPT. 250# FLANGES
-------------------	-------------------

- NOTES:
- All dimensions in inches (mm).
 - Dimensions may vary $\pm 3/8"$ (10).
 - Not for construction purposes unless certified.
 - Coupling gap may vary 1/8" (3) to 1" (25).
 - Height (AG) and diameter (P) dimensions of motor will vary based on make and style of motor. DIMENSIONS SHOWN REFLECT FAIRBANKS NIJHUIS™ STANDARD MOTORS. See individual motor supplier dimensional data sheets for your application.
 - Conduit box is shown in approximate location. Dimensions are not specified as they vary for each motor manufacturer.
 - Discharge and suction flanges – ANSI Standard flat face.

FRAME	143	145	182	184	213	215	254	256	284	286	324	326	364	365	404	405	444	445		
	P	8 (203)	8 (203)	10 (254)	10 (254)	11 (279)	11 (279)	13 (330)	13 (330)	16 (406)	16 (406)	18 (457)	18 (457)	21 (534)	21 (534)	22 (559)	22 (559)	24 (610)	24 (610)	
AG	11 (279)	12 (305)	14 (356)	15 (381)	16 (406)	17 (432)	20 (508)	21 (534)	22 (559)	23 (584)	25 (635)	26 (660)	25 (635)	25 (635)	28 (711)	28 (711)	32 (813)	32 (813)		
PUMP SIZE		DH																		
2" 1843	26 (660)										28 (711)		NOT AVAILABLE							
2-1/2" 1843	30 (762)												32 (813)			NOT AVAILABLE				
2-1/2" 1844																				
3" 1844																				
3" 1845																				
4" 1842																				
4" 1843	33 (838)												35 (889)			NOT AVAILABLE				
4" 1844																				



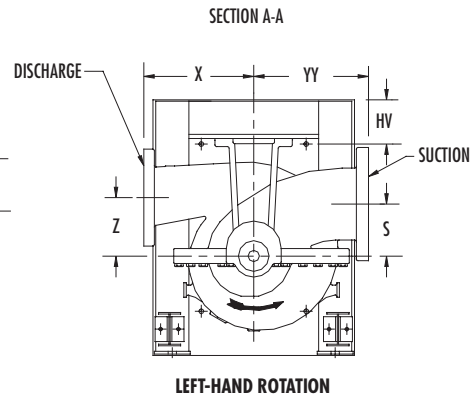
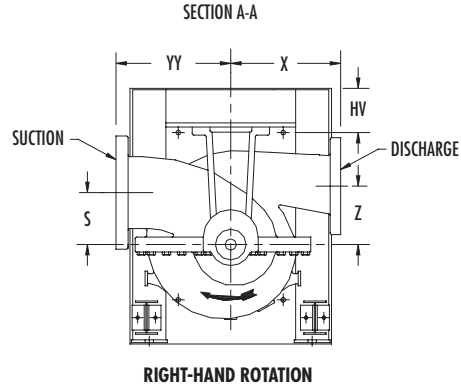
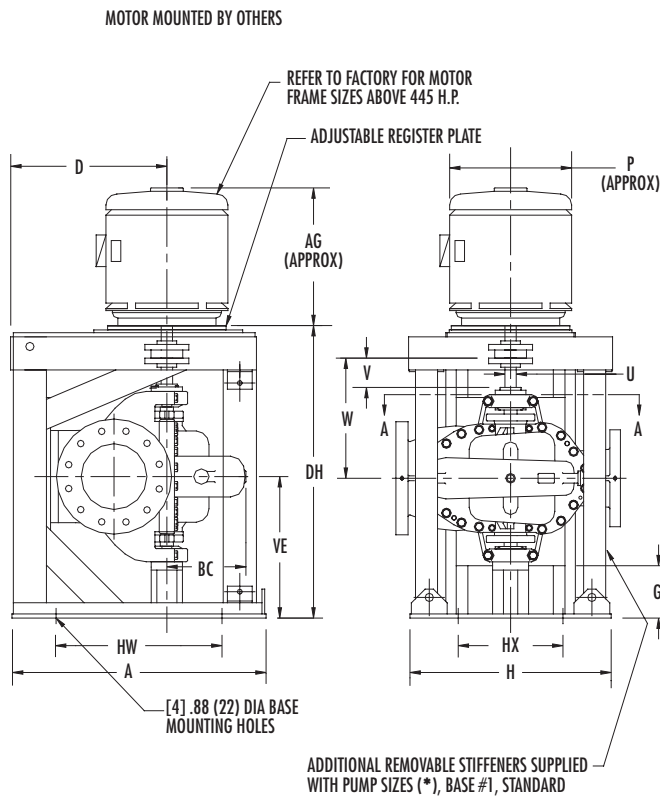
Pump Size			Power Series	Base	S	W	X	Z	BC	VE	YY
Pump	Disch.	Suct.									
4" 1845	4	6	4	2	6-1/4 (159)	16 (406)	14 (356)	6-1/4 (159)	11-3/4 (298)	15 (381)	16 (406)
5" 1842	5	6	4	2	5-1/2 (140)	16 (406)	11-1/4 (286)	5-1/2 (140)	8-3/4 (222)	15 (381)	13-1/4 (337)
5" 1843	5	6	4	2	6-1/4 (159)	16 (406)	13-1/4 (337)	6-1/4 (159)	10-1/16 (256)	15 (381)	15 (381)
5" 1844	5	6	4	2	6-1/4 (159)	16 (406)	14 (356)	6-1/4 (159)	10-1/16 (256)	15 (381)	15 (381)
6" 1842	6	8	4	2	6-1/4 (159)	16 (406)	11-3/4 (298)	6-1/4 (159)	9-1/4 (235)	15 (381)	14-1/2 (368)
6" 1842HH	6	8	4A	2	8-5/8 (219)	18-1/8 (461)	10 (254)	8-5/8 (219)	9-7/16 (240)	17-1/8 (436)	15 (381)
6" 1843HH	6	8	5A	3	7-1/2 (191)	20-7/16 (519)	15 (381)	7-1/2 (191)	10-3/16 (258)	19-7/16 (494)	17 (432)
8" 1841	8	8	4	2	6-1/4 (159)	16 (406)	12 (305)	6-1/4 (159)	9-3/4 (248)	15 (381)	14-1/2 (368)
6" 1843	6	8	5	3	6-3/4 (171)	18 (457)	14-1/4 (362)	6-3/4 (171)	11-5/16 (287)	17 (432)	16-3/4 (425)
6" 1844	6	8	5	3	8 (203)	18 (457)	16 (406)	8 (203)	12-1/2 (318)	17 (432)	18 (457)
6" 1845	6	8	5	3	8 (203)	18 (457)	15-3/4 (400)	8 (203)	2-15/16 (75)	17 (432)	18 (457)
8" 1842	8	10	5	3	8 (203)	18 (457)	17 (432)	9 (228)	11-9/16 (294)	17 (432)	17-3/4 (451)
8" 1843	8	10	5	3	8 (203)	18 (457)	17 (432)	9 (228)	11-13/16 (300)	17 (432)	17-3/4 (451)
8" 1844	8	10	5	3	8 (203)	18 (457)	17 (432)	8 (203)	12-3/8 (314)	17 (432)	17-3/4 (451)
10" 1842	10	12	6B	4	12 (305)	21-7/8 (457)	16 (406)	12 (305)	12-1/2 (318)	19 (483)	19 (483)

BASE	1	2	3	4
A	18 (457)	22 (558)	30 (762)	40 (1016)
G	1-3/4 (44)	1-3/4 (44)	2 (51)	2-1/4 (57)
H	3/4 (19)	3/4 (19)	7/8 (22)	7/8 (22)
HV	16-1/4 (413)	20 (508)	28 (711)	38 (965)

STD. 125# FLANGES	OPT. 250# FLANGES
-------------------	-------------------

- NOTES:
- All dimensions in inches (mm).
 - Dimensions may vary ± 3/8" (10).
 - Not for construction purposes unless certified.
 - Coupling gap may vary 1/8" (3) to 1" (25).
 - Height (AG) and diameter (P) dimensions of motor will vary based on make and style of motor. DIMENSIONS SHOWN REFLECT FAIRBANKS NIJHUIS™ STANDARD MOTORS. See individual motor supplier dimensional data sheets for your application.
 - Conduit box is shown in approximate location. Dimensions are not specified as they vary for each motor manufacturer.
 - Discharge and suction flanges – ANSI Standard flat face.

FRAME	143	145	182	184	213	215	254	256	284	286	324	326	364	365	404	405	444	445
	P	8 (203)	8 (203)	10 (254)	10 (254)	11 (279)	11 (279)	13 (330)	13 (330)	16 (406)	16 (406)	18 (457)	18 (457)	21 (534)	21 (534)	22 (559)	22 (559)	24 (610)
AG	11 (279)	12 (305)	14 (356)	15 (381)	16 (406)	17 (432)	20 (508)	21 (534)	22 (559)	23 (584)	25 (635)	26 (660)	25 (635)	25 (635)	28 (711)	28 (711)	32 (813)	32 (813)
PUMP SIZE																		
4" 1845																		
5" 1842																		
5" 1843																		
5" 1844																		
6" 1842																		
8" 1841																		
6" 1842HH																		
6" 1843HH																		
6" 1843																		
6" 1844																		
6" 1845																		
8" 1842																		
8" 1843																		
8" 1844																		
10" 1842B																		



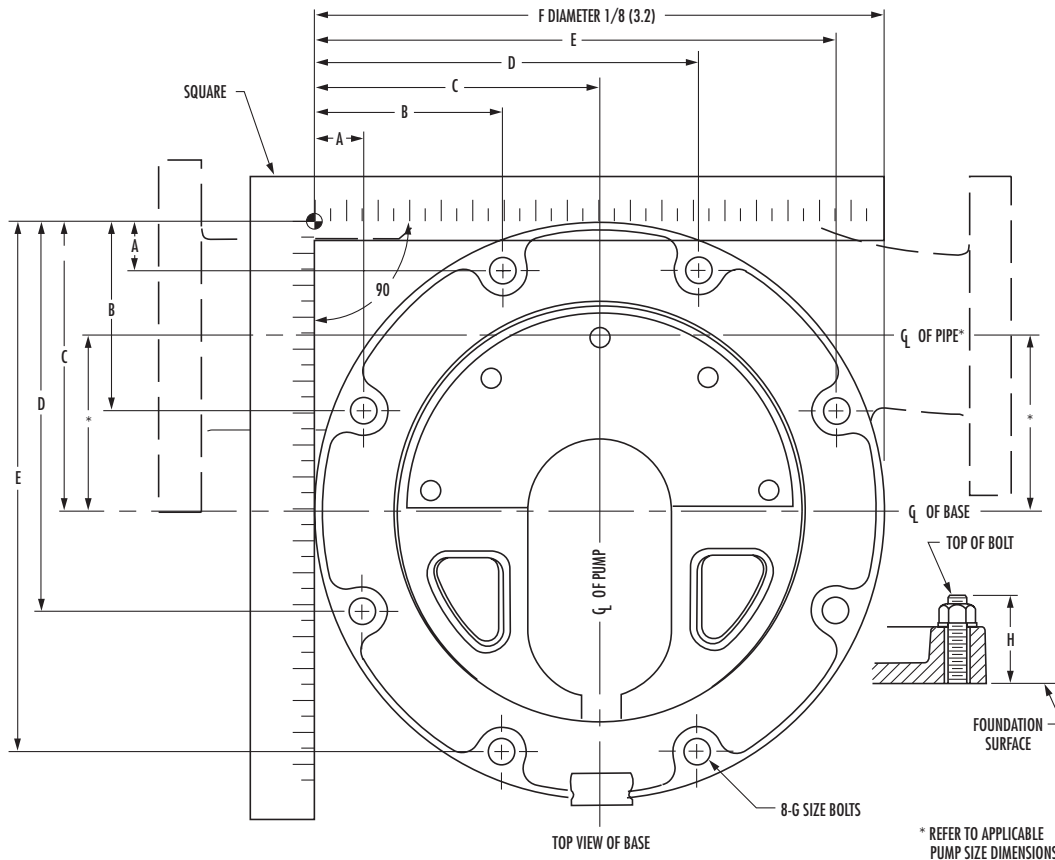
Pump Size			Power Series	Base	D	S	U	V	W	X	Z	BC	DH	VE	YY
Pump	Disch.	Suct.													
8" 1844B	8	10	5	5	25 (635)	8 (203)	1.75 (45)	4 (102)	18 (457)	17 (432)	8 (203)	12.38 (314)	47 (1194)	22.88 (581)	17.75 (451)
8" 1845	8	10	6B	4	25.25 (641)	9.5 (241)	2.13 (54)	5.44 (138)	21.88 (556)	18 (457)	9.5 (241)	14 (356)	51.75 (1314)	25.13 (638)	21.0 (533)
10" 1843	10	12	6B	1	31.75 (806)	13.5 (343)	2.13 (54)	5.44 (138)	21.88 (556)	17 (432)	13.5 (343)	13.5 (343)	51.75 (1314)	25.13 (638)	20 (508)
10" 1844	10	12	6B	1	31.75 (806)	13.5 (343)	2.13 (54)	5.44 (138)	21.88 (556)	18 (457)	13.5 (343)	14.5 (368)	51.75 (1314)	25.13 (638)	22.0 (559)
10" 1844D	10	12	7A	6	31-3/4 (806)	12-1/4 (311)	2-1/8 (54)	6-5/16 (160)	24-5/16 (556)	20 (508)	12-1/4 (311)	15-1/16 (383)	57-1/4 (1454)	27-5/8 (702)	24 (610)
12" 1843	12	14	7	2	33.75 (857)	15 (381)	2.5 (64)	6.63 (168)	25.25 (641)	17 (432)	15 (381)	15 (381)	56 (1422)	26 (660)	22.0 (559)
12" 1844	12	14	7	2	33.75 (857)	15 (381)	2.5 (64)	6.63 (168)	25.25 (641)	18 (457)	15 (381)	16.13 (410)	56 (1422)	26 (660)	23 (584)
14" 1844	14	16	7	3	36 (914)	16 (406)	2.5 (64)	6.63 (168)	25.25 (641)	22.0 (559)	16 (406)	18.25 (464)	56 (1422)	26 (660)	27 (686)

PUMP SIZE	FRAME	364	365	404	405	444	445
	P	21.0 (533)	21.0 (533)	22.0 (559)	22.0 (559)	24.0 (610)	24.0 (610)
	AG	25.0 (635)	25.0 (635)	28.0 (711)	28.0 (711)	32.0 (813)	32.0 (813)
PUMP SIZE		MOTOR SIZING (7)					
8" 1844B							
8" 1845		X	X	X	X	X	X
10" 1843		X	X	X	X	X	X
10" 1844					X	X	X
10" 1844D		X	X	X	X	X	X
12" 1843				X	X	X	X
12" 1844							X
14" 1844							X

BASE	1	2	3	4	5	6
A	50 (1270)	46 (1168)	48 (1219)	40 (1016)	40 (1016)	50 (1270)
G	9.63 (245)	8 (203)	8 (203)	9.63 (245)	9.63 (245)	9-5/8 (245)
H	36.5 (927)	35 (889)	35 (889)	36.5 (927)	36.5 (927)	44-1/2 (1130)
HV	8 (203)	8 (203)	8 (203)	8 (203)	8 (203)	8 (203)
HW	34 (864)	34 (864)	36 (914)	28 (711)	28 (711)	34 (864)
HX	19 (483)	19 (483)	19 (483)	22.0 (559)	22.0 (559)	22 (559)

STD. 125# FLANGES	OPT. 250# FLANGES
-------------------	-------------------

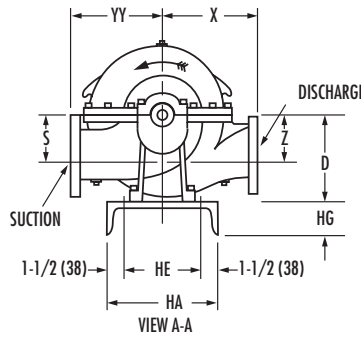
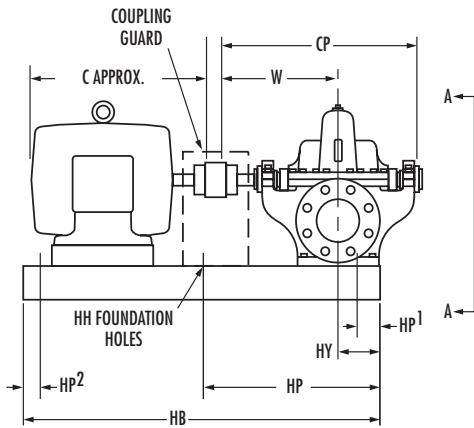
- NOTES:
- All dimensions in inches (mm).
 - Dimensions may vary ± 3/8" (10).
 - Not for construction purposes unless certified.
 - Discharge and suction flanges – ANSI Standard flat face.
 - Height (AG) and diameter (P) dimensions of motor will vary based on make and style of motor. DIMENSIONS SHOWN REFLECT FAIRBANKS NIJHUIS™ MOTORS. See individual motor supplier dimensional data sheets for your application.
 - Conduit box is shown in approximate location. Dimensions are not specified as they vary for each motor manufacturer.
 - (X) denotes standard frame sizes based on horsepower.



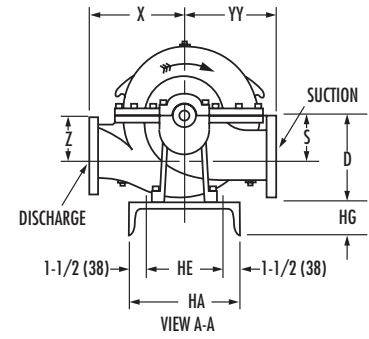
BASE	A	B	C	D	E	F	G	H	FULL SCALE TEMPLATE
1	1-1/2 (38)	5-29/32 (150)	9 (229)	12-1/8 (308)	16-1/2 (419)	18 (457)	5/8 (16)	2-3/4 (70)	294-0579-000
2	1-25/32 (45)	7-3/16 (183)	11 (279)	14-27/32 (377)	20-1/4 (514)	22 (559)	5/8 (16)	2-3/4 (70)	294-0580-000
3	2-1/16 (52)	9-21/32 (245)	15 (381)	20-3/8 (518)	27-15/16 (710)	30 (762)	3/4 (19)	3-1/4 (83)	294-0581-000
4	2-7/16 (62)	12-23/32 (323)	20 (508)	27-9/32 (693)	37-9/16 (954)	40 (1016)	3/4 (19)	3-1/2 (89)	294-0613-000

NOTES:

1. All dimensions in inches (mm).
2. Dimensions may vary $\pm 3/8"$ (10).
3. Not for construction purposes unless certified.
4. Discharge and suction flanges – ANSI Standard flat face.



RIGHT-HAND ROTATION



LEFT-HAND ROTATION

STANDARD STEEL BASE

BASE	SIZE	HA	HB	HE	HG	HH		HP	HP1	HP2
						QTY	SIZE			
2	10 x 28	10 (254)	28 (711)	7 (178)	2-5/8 (67)	2	5/8 (16)	14 (356)	-	-
3	12 x 30	12 (305)	30 (762)	9 (229)	3 (76)	2	5/8 (16)	15 (381)	-	-
4	12 x 34	12 (305)	34 (864)	9 (229)	3 (76)	4	5/8 (16)	20 (508)	-	1 (25)
5	12 x 38	12 (305)	38 (965)	9 (229)	3 (76)	4	5/8 (16)	20 (508)	-	1 (25)
6	13 x 38	13 (330)	38 (965)	10 (254)	4 (102)	4	3/4 (19)	-	1 (25)	1 (25)
7	13 x 42	13 (330)	42 (1067)	10 (254)	4 (102)	4	3/4 (19)	24 (610)	-	1 (25)
8	15 x 40	15 (381)	40 (1016)	12 (305)	3-3/8 (86)	4	3/4 (19)	-	1 (25)	1 (25)
9	15 x 44	15 (381)	44 (1118)	12 (305)	3-3/8 (86)	4	3/4 (19)	24 (610)	-	1 (25)
10	18 x 44	18 (457)	44 (1118)	15 (381)	4 (102)	4	3/4 (19)	-	1 (25)	1 (25)
11	18 x 48	18 (457)	48 (1219)	15 (381)	4 (102)	4	3/4 (19)	-	1 (25)	1 (25)
12	18 x 54	18 (457)	54 (1372)	15 (381)	4 (102)	4	3/4 (19)	-	1 (25)	1 (25)
15	22 x 60	22 (559)	60 (1524)	19 (483)	4 (102)	4	3/4 (19)	-	1 (25)	1 (25)

NOTE: WHEN 2 "D" DIMENSIONS ARE INDICATED ALWAYS USE THE LARGER FIGURE.

PUMP SIZE			POWER SERIES	D	S	W	X	Z	CP	HY	YY
DISCH.	SUCT.	CASE BORE									
2	2-1/2	9	1	7 (178)	3-1/2 (89)	11-5/8 (295)	8-1/2 (216)	3-1/2 (89)	20-1/2 (521)	4 (102)	9 (229)
2	2-1/2	10		7 (178)	3-1/2 (89)		10 (254)	4 (102)		10-3/4 (273)	
2	2-1/2	12		8 (203)	4 (102)		10 (254)	4 (102)		10-3/4 (273)	
2-1/2	3	10B	2	8 (203)	4 (102)	13-1/2 (343)	9-3/4 (248)	4 (102)	24 (610)	5 (127)	10 (254)
2-1/2	3	12		9** (229**)	4-1/2 (114)		11 (279)	4-1/2 (114)		11-1/2 (292)	
3	4	10B & C		9** (229**)	4-1/2 (114)		10 (254)	4-1/2 (114)		11 (279)	
3	4	14	3	10 (254)	5 (127)	14-1/2 (368)	12 (305)	5 (127)	26 (660)	6 (152)	13 (330)
4	5	10B		9** (229**)	4-5/8 (118)		10 (254)	4-1/2 (114)		11-1/4 (286)	
4	5	11A & C		10‡ (254‡)	5 (127)		11-1/4 (286)	5 (127)		12-3/4 (324)	
4	4	11D	3	10‡ (254‡)	5 (127)	14-1/2 (368)	12 (286)	5 (127)	26 (660)	6 (152)	12-3/4 (324)
4	5	15		11 (279)	5-1/2 (140)		13 (330)	5-1/2 (140)			14 (356)

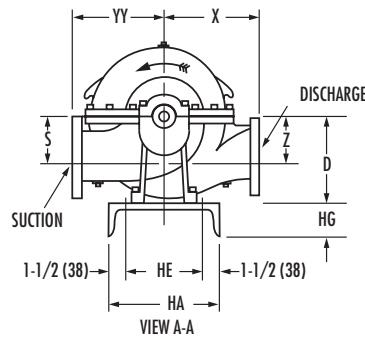
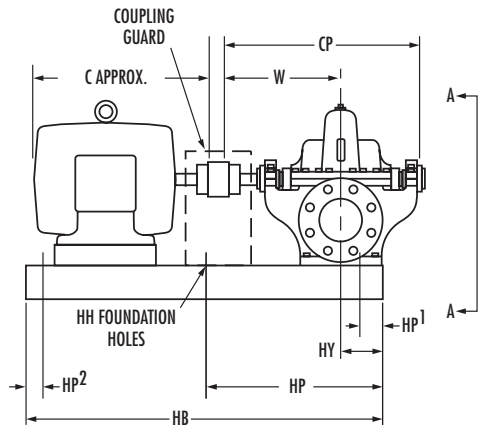
PUMP SIZE	FRAME	143T	145T	182T	184T	213T	215T	254T	256T	284TS	284T	286TS	286T	324TS	324T	326TS	326T	364TS	364T	365TS	365T	404TS	405TS	444TS
		C	13 (330)	13 (330)	13 (330)	14 (356)	16 (406)	18 (457)	21 (533)	23 (584)	22 (559)	24 (610)	24 (610)	25 (635)	25 (635)	26 (660)	26 (660)	28 (711)	27 (686)	29 (711)	28 (711)	30 (762)	30 (762)	31 (787)
	D	-	-	-	-	-	-	-	-	-	-	-	-	8 (203)	8 (203)	8 (203)	9 (229)	9 (229)	9 (229)	9 (229)	9 (229)	10 (254)	10 (254)	11 (279)
2" 1823	BASE	2		3		4		6		8		9		10										
2" 1824	BASE	2		3		4		6		8		9		10										
2" 1825	BASE	2		3		4		6		8		9		10										
2-1/2" 1823B	BASE	2		3		4		6		8		9		10										
2-1/2" 1824	BASE	2		3		4		6		8		9		10										
3" 1824B	BASE	3		4		5		7		9		11		11		11		11		12				
3" 1825	BASE	3		4		5		7		9		11		11		11		11		12				
4" 1822B	BASE	3		4		5		7		9		11		11		11		11		12				
4" 1823A&C	BASE	3		4		5		7		9		11		11		11		11		12				
4" 1823D	BASE	3		4		5		7		9		11		11		11		11		12				
4" 1824	BASE	3		4		5		7		9		11		11		11		11		12				

NOTES:

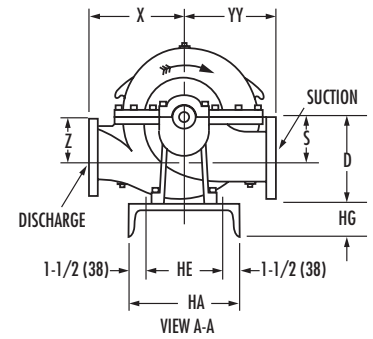
- All dimensions in inches (mm).
- Dimensions may vary ± 3/8" (10).
- Not for construction purposes unless certified.
- Coupling gap may vary 1/8" (3) to 2-1/16" (52).
- Conduit box is shown in approximate location. Dimensions are not specified as they vary with each motor manufacturer.

- Discharge and suction flanges – ANSI Standard flat face.
- ** Dimension "D" is 10-1/2" (267) when using frames 324TS through 365T.
- ‡ Dimension "D" is 10-1/2" (267) when using frames 404TS through 405TS.
- ‡ Dimension "D" is 11" (279) when using frames 444TS.

STD. 125# FLANGES	OPT. 250# FLANGES
-------------------	-------------------



RIGHT-HAND ROTATION



LEFT-HAND ROTATION

STANDARD STEEL BASE

PUMP SIZE			POWER SERIES	D	S	W	X	Z	CP	HY	YY				
DISCH.	SUCT.	CASE BORE													
4	6	18B	4	12-1/2 (318)	6-1/4 (159)	16 (406)	14 (356)	6-1/4 (159)	28-1/2 (724)	6 (152)	16 (406)				
5	6	11A & C		11** (279)**	5-1/2 (140)		11-1/4 (286)	5-1/2 (140)			13-1/4 (337)	6-1/4 (159)	13-1/4 (337)	6-1/4 (159)	13-1/4 (337)
5	6	15		12-1/2 (318)	6-1/4 (159)		13-1/4 (337)	6-1/4 (159)			14 (356)	6-1/4 (159)	14-1/2 (368)	6-1/4 (159)	15 (381)
5	6	17		12-1/2 (318)	6-1/4 (159)		11-3/4 (286)	6-1/4 (159)			14 (356)	6-1/4 (159)	14-1/2 (368)	6-1/4 (159)	15 (381)
6	8	11		12-1/2 (318)	6-1/4 (159)		12 (305)	6-1/4 (159)			15 (381)	6-1/4 (159)	14-1/2 (368)	6-1/4 (159)	15 (381)
8	8	11B		12-1/2† (318†)	6-1/4 (159)		12 (305)	6-1/4 (159)			15 (381)	6-1/4 (159)	14-1/2 (368)	6-1/4 (159)	15 (381)
6	8	11HH	4A	16-1/2 (419)	8-5/8 (219)	18-1/8 (461)	10 (254)	8-5/8 (219)	32-3/4 (832)	7 (178)	17 (432)				
6	8	14HH	5A	16-1/2 (419)	7-1/2 (191)	20-7/16 (519)	15 (381)	7-1/2 (191)	36-3/4 (933)	7 (178)	17 (432)				
6	8	15	5	13-1/2 (343)	6-3/4 (171)	18 (457)	14-1/4 (362)	6-3/4 (171)	32 (813)	7 (178)	16-3/4 (425)				
6	8	18A, B & C		14-3/4 (375)	8 (203)		16 (406)	8 (203)			18 (457)	17-3/4 (451)			
6	8	20		14-3/4 (375)	8 (203)		15-3/4 (400)	8 (203)			18 (457)	17-3/4 (451)			
8	10	12 & 12A		14-3/4 (375)	8 (203)		17 (432)	9 (229)			17-3/4 (451)	17-3/4 (451)			
8	10	15A & B		14-3/4 (375)	8 (203)		17 (432)	9 (229)			17-3/4 (451)	17-3/4 (451)			
8	10	17B		14-3/4 (375)	8 (203)		17 (432)	8 (203)			17-3/4 (451)	17-3/4 (451)			

BASE	SIZE	HA	HB	HE	HG	HH					
						QTY	SIZE	HP	HP1	HP2	
5	12 x 38	12 (305)	38 (965)	9 (229)	3 (76)	4	3/4 (19)	5/8 (16)	20 (508)	-	1 (25)
7	13 x 42	13 (330)	42 (1067)	10 (254)	4 (102)			24 (610)	-		
9	15 x 44	15 (381)	44 (1118)	12 (305)	3-3/8 (86)			24 (610)	-		
10	18 x 44	18 (457)	44 (1219)	15 (381)	4 (102)			-	-		
11	18 x 48	18 (457)	48 (1219)	15 (381)	4 (102)			-	1 (25)		
12	18 x 54	18 (457)	54 (1372)	15 (381)	4 (102)			-	-		
13	18 x 60	18 (457)	60 (1524)	15 (381)	4 (102)			24 (610)	-		
14	18 x 65	18 (457)	65 (1651)	15 (381)	4 (102)			24 (610)	-		
15	22 x 60	22 (559)	60 (1524)	19 (483)	4 (102)			-	-		
16	22 x 72	22 (559)	72 (1829)	19 (483)	4 (102)			-	1 (25)		
17	22 x 84	22 (559)	84 (2134)	19 (483)	4 (102)			-	-		

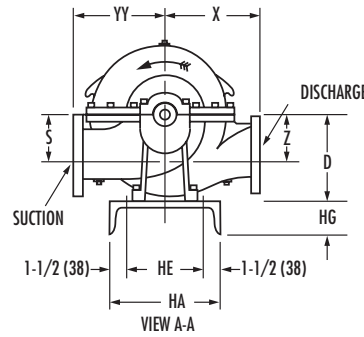
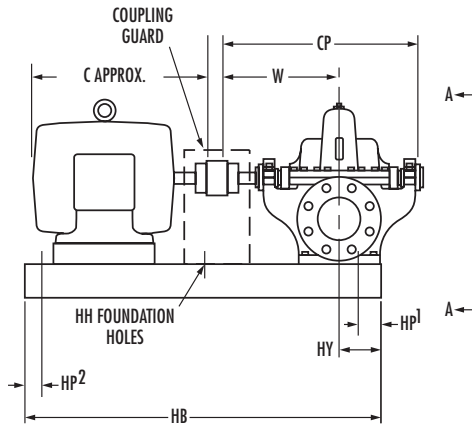
PUMP SIZE	FRAME	213T	215T	254T	256T	284TS	284T	286TS	286T	324TS	324T	326TS	326T	364TS	364T	365TS	365T	404TS	404T	405TS	405T	444TS	444T	445TS	445T	447TS	447T	449TS	449T		
4" 1825B	BASE	16 (406)	18 (457)	21 (533)	23 (584)	22 (559)	24 (610)	24 (610)	25 (635)	25 (635)	26 (660)	26 (660)	27 (711)	27 (686)	29 (737)	28 (711)	28 (762)	30 (762)	30 (762)	33 (838)	31 (787)	35 (889)	34 (864)	38 (965)	36 (1016)	40 (914)	40 (914)	44 (1118)	45 (1143)	49 (1245)	
5" 1822A&C	BASE	5	7	9	10	11										12						15				16		15		16	
5" 1824	BASE					11										12						15				16		15		16	
6" 1822	BASE					11										12						15				16		15		16	
8" 1821B	BASE					11										12						15				16		15		16	
6" 1822HH	BASE	11										12						15				16		15		16					
6" 1823HH	BASE	11										12						15				16		15		16					
6" 1823	BASE	-	-	-	-	11										12						15				16		15		16	
6" 1824ABC	BASE	-	-	-	-	11										12						15				16		15		16	
6" 1825	BASE	-	-	-	-	11										12						15				16		15		16	
8" 1822 & 8" 1822A	BASE	-	-	-	-	11										12						15				16		15		16	
8" 1823A&B	BASE	-	-	-	-	11										12						15				16		15		16	
8" 1824B	BASE	-	-	-	-	11										12						15				16		15		16	

NOTES:

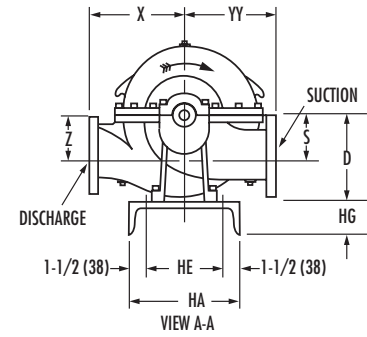
- All dimensions in inches (mm).
- Dimensions may vary ± 3/8" (10).
- Not for construction purposes unless certified.
- Coupling gap may vary 1/8" (3) to 2-1/16" (52).
- Conduit box is shown in approximate location. Dimensions are not specified as they vary with each motor manufacturer.
- Discharge and suction flanges – ANSI Standard flat face.

- ** Dimension "D" is 12" (305) when using frames 404TS through 449T.
 † Dimension "D" is 14-1/2" (368) when using frames 404TS through 449T.

STD. 125# FLANGES	OPT. 250# FLANGES
-------------------	-------------------



RIGHT-HAND ROTATION



LEFT-HAND ROTATION

STANDARD STEEL BASE

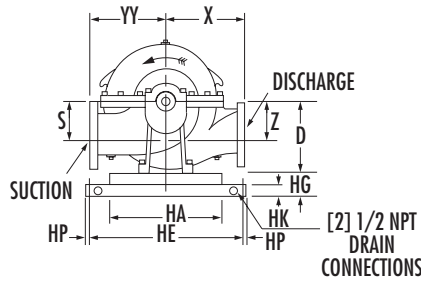
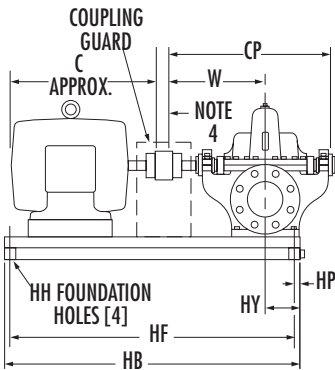
PUMP SIZE			POWER SERIES	D	S	W	X	Z	CP	HY	YY
DISCH.	SUCT.	CASE BORE									
8	10	21 & 21A	6B	18-1/2 (470)	9-1/2 (241)	21-7/8 (556)	18 (457)	9-1/2 (241)	38 (965)	11 (279)	21 (533)
10	12	12B		23 (584)	12 (305)	21-7/8 (556)	16 (406)	12 (305)	38 (965)	11 (279)	19 (483)
10	12	15B & C		25 (635)	13-1/2 (343)	21-7/8 (708)	17 (432)	13-1/2 (343)	38 (965)	11 (279)	20 (508)
10	12	18		25 (635)	13-1/2 (343)	21-7/8 (708)	18 (457)	13-1/2 (343)	38 (965)	11 (279)	22 (559)
10	12	18D	7A	25 (635)	12-1/4 (311)	24-5/16 (556)	20 (508)	12-1/4 (311)	42-15/16 (1091)	11 (279)	24 (610)
8	12	24	7	26 (660)	15 (381)	25-1/4 (641)	20 (508)	15 (381)	43-7/8 (1114)	11 (279)	25 (635)
12	14	15B		24 (610)	15 (381)	25-1/4 (641)	17 (432)	15 (381)	43-7/8 (1114)	11 (279)	22 (559)
12	14	18A		24 (610)	15 (381)	25-1/4 (641)	18 (457)	15 (381)	43-7/8 (1114)	11 (279)	23 (584)
14	16	18		29-1/4 (743)	16 (406)	25-1/4 (641)	22 (559)	16 (406)	43-7/8 (1114)	11 (279)	27 (686)

BASE	SIZE	HA	HB	HE	HG	HH		HP1	HP2
						QTY	SIZE		
13	18 x 60	18 (457)	60 (1524)	15 (381)	4 (102)	4	3/4 (19)	24 (610)	1 (25)
14	18 x 65	18 (457)	65 (1651)	15 (381)	4 (102)	4	3/4 (19)	24 (610)	1 (25)
15	22 x 60	22 (559)	60 (1524)	19 (483)	4 (102)	4	3/4 (19)	25 (635)	1 (25)
16	22 x 72	22 (559)	72 (1829)	19 (483)	4 (102)	4	3/4 (19)	25 (635)	1 (25)
17	22 x 84	22 (559)	84 (2134)	19 (483)	4 (102)	4	3/4 (19)	25 (635)	1 (25)

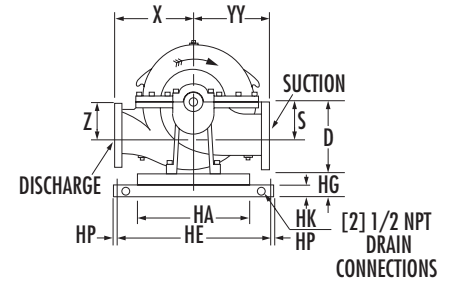
PUMP SIZE	FRAME	C	286TS	286T	324TS	324T	326TS	326T	364TS	364T	365TS	365T	404TS	404T	405TS	405T	444TS	444T	445TS	445T	447TS	447T	449TS	449T
			24 (610)	25 (635)	25 (635)	26 (660)	26 (660)	28 (711)	27 (686)	29 (737)	28 (711)	30 (762)	30 (762)	33 (838)	31 (787)	35 (889)	34 (864)	38 (965)	36 (1016)	40 (914)	40 (914)	44 (1118)	44 (1118)	45 (1143)
8" 1825 & 8" 1825A	BASE		13				14				16				17									
10" 1822B	BASE		13				14				16				17									
10" 1823B&C	BASE		13				14				16				17									
10" 1824	BASE		13				14				16				17									
10" 1824D	BASE		13				14				16				17									
8" 1826	BASE		13				14				16				17									
12" 1823B	BASE		13				14				16				17									
12" 1824A	BASE		13				14				16				17									
14" 1824	BASE		13				14				16				17									

- NOTES:
- All dimensions in inches (mm).
 - Dimensions may vary $\pm 3/8"$ (10).
 - Not for construction purposes unless certified.
 - Coupling gap may vary 1/8" (3) to 2-1/16" (52).
 - Conduit box is shown in approximate location. Dimensions are not specified as they vary with each motor manufacturer.
 - Discharge and suction flanges – ANSI Standard flat face.

STD. 125# FLANGES	OPT. 250# FLANGES
-------------------	-------------------



RIGHT-HAND ROTATION



LEFT-HAND ROTATION

DRIP RIM BASE

NOTE: WHEN 2 "D" DIMENSIONS ARE INDICATED ALWAYS USE THE LARGER FIGURE.

PUMP SIZE		POWER SERIES	D	S	W	X	Z	CP	HY	YY
DISCH.	SUCT.									
2	2-1/2	9	7 (178)	3-1/2 (89)	11-5/8 (295)	8-1/2 (216)	3-1/2 (89)	20-1/2 (521)	4-1/2 (114)	9 (229)
2	2-1/2	10	7 (178)	3-1/2 (89)		8-1/2 (216)	3-1/2 (89)			9 (229)
2	2-1/2	12	8 (203)	4 (102)		10 (254)	4 (102)			10-3/4 (273)
2-1/2	3	10B	8 (203)	4 (102)	13-1/2 (343)	9-3/4 (248)	4 (102)	24 (610)	5-1/2 (140)	10 (254)
2-1/2	3	12	9** (229)**	4-1/2 (114)		11 (279)	4-1/2 (114)			11-1/2 (292)
3	4	10B & C	9** (229)**	4-1/2 (114)		10 (254)	4-1/2 (114)			11 (279)
3	4	14	10 (254)	5 (127)	14-1/2 (368)	12 (305)	5 (127)	26 (660)	6-1/2 (165)	13 (330)
4	5	10B	9** (229)**	4-5/8 (118)		10 (254)	4-1/2 (114)			11-1/4 (286)
4	5	11A & C	10† (254†)	5 (127)		11-1/4 (286)	5 (127)			12-3/4 (324)
4	5	11D	10† (254†)	5 (127)	14-1/2 (368)	12 (305)	5 (127)	26 (660)	6-1/2 (165)	12-3/4 (324)
4	5	15	11 (279)	5-1/2 (140)		13 (330)	5-1/2 (140)			14 (356)

BASE	SIZE	HA	HB	HE	HF	HG	HH	HK	HP
3	9 x 33	9 (229)	33-1/2 (851)	13-3/4 (349)	32-1/4 (819)	3 (76)	3/4 (19)	1-1/2 (38)	5/8 (16)
5	11 x 36	11 (279)	36-1/2 (927)	15-7/8 (403)	35-1/8 (892)	3 (76)	7/8 (22)	1-1/2 (38)	11/16 (18)
6	11 x 42	11 (279)	42-1/2 (1080)	15-7/8 (403)	41-1/8 (1045)	3 (76)	7/8 (22)	1-1/2 (38)	11/16 (18)
8	14 x 42	14 (356)	42-1/2 (1080)	19 (483)	41 (1041)	3 (76)	1 (25)	1-1/2 (38)	3/4 (19)
9	14 x 48	14 (356)	48-1/2 (1232)	19 (483)	47 (1194)	3 (76)	1 (25)	1-1/2 (38)	3/4 (19)
11	18 x 46	18 (457)	46-1/2 (1181)	25-1/8 (638)	44-7/8 (1140)	4 (102)	1-1/8 (29)	2 (51)	13/16 (21)
12	18 x 54	18 (457)	54-1/2 (1384)	25-1/8 (638)	52-7/8 (1343)	4 (102)	1-1/8 (29)	2 (51)	13/16 (21)
15	22 x 54	22 (559)	54-1/2 (1384)	29-1/8 (740)	52-7/8 (1343)	4-1/2 (114)	1-1/8 (29)	2 (51)	13/16 (21)

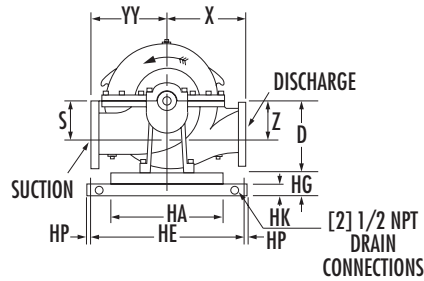
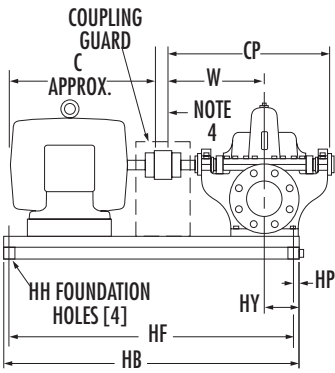
PUMP SIZE			FRAME	143T	145T	182T	184T	213T	215T	254T	256T	284TS	284T	286TS	286T	324TS	324T	326TS	326T	364TS	364T	365TS	365T	404TS	405TS	444TS	
PUMP	DISCH.	SUCT.		C	13 (330)	13 (330)	13 (330)	14 (356)	16 (406)	18 (457)	21 (533)	23 (584)	22 (559)	24 (610)	24 (610)	25 (635)	25 (635)	26 (660)	26 (660)	28 (711)	27 (686)	29 (711)	28 (711)	30 (762)	30 (762)	31 (787)	34 (864)
			D	-	-	-	-	-	-	-	-	-	-	-	-	(203)	(203)	(203)	(203)	(229)	(229)	(229)	(229)	(254)	(254)	(279)	
2" 1823	2	2-1/2	BASE																								
2" 1824	2	2-1/2	BASE	3			5			8			11														
2" 1825	2	2-1/2	BASE																								
2-1/2" 1823B	2-1/2	3	BASE																								
2-1/2" 1824	2-1/2	3	BASE																								
3" 1824A&C	3	4	2	3			5			8			9			11			12			11			12		
3" 1825	3	4	BASE																								
4" 1822B	4	5	BASE																								
4" 1823A&C	4	5	BASE																								
4" 1823D	4	5	3	-			5			6			8			9			11			12			15		
4" 1824	4	5	BASE																								

NOTES:

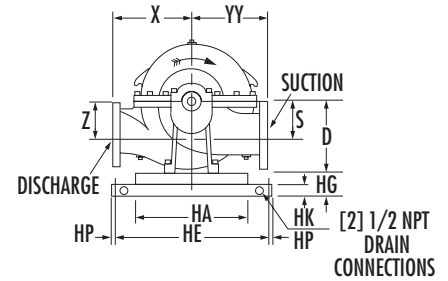
- All dimensions in inches (mm).
- Dimensions may vary ± 3/8" (10).
- Not for construction purposes unless certified.
- Coupling gap may vary 1/8" (3) to 2-1/16" (52).
- Conduit box is shown in approximate location. Dimensions are not specified as they vary with each motor manufacturer.

- Discharge and suction flanges – ANSI Standard flat face.
- ** Dimension "D" is 10-1/2" (267) when using frames 324TS through 365T.
- † Dimension "D" is 10-1/2" (267) when using frames 404TS through 405TS.

STD. 125# FLANGES	OPT. 250# FLANGES
-------------------	-------------------



RIGHT-HAND ROTATION



LEFT-HAND ROTATION

DRIP RIM BASE

PUMP SIZE			POWER SERIES	D	S	W	X	Z	CP	HY	YY				
DISCH.	SUCT.	CASE BORE													
4	6	18B	4	12-1/2 (318)	6-1/4 (159)	16 (408)	14 (356)	6-1/4 (159)	28-1/2 (724)	6 (152)	16 (406)				
5	6	11A & C		11** (279**)	5-1/2 (140)		11-1/4 (286)	5-1/2 (140)			13-1/4 (337)	13-1/4 (337)			
5	6	15		12-1/2 (318)	6-1/4 (159)		13-1/4 (337)	6-1/4 (159)			15 (381)	15 (381)			
5	6	17		12-1/2 (318)	6-1/4 (159)		14 (356)	6-1/4 (159)			15 (381)	15 (381)			
6	8	11		12-1/2 (318)	6-1/4 (159)		11-3/4 (286)	6-1/4 (159)			14-1/2 (368)	14-1/2 (368)			
8	8	11B		12-1/2† (318†)	6-1/4 (159)		12 (305)	6-1/4 (159)			14-1/2 (368)	14-1/2 (368)			
6	8	11HH		4A	16-1/2 (419)		8-5/8 (219)	18-1/8 (461)			10 (254)	8-5/8 (219)	32-3/4 (832)	7 (178)	17 (432)
6	8	14HH		5A	16-1/2 (419)		7-1/2 (191)	20-7/16 (519)			15 (381)	7-1/2 (191)	36-3/4 (933)	7 (178)	17 (432)
6	8	15	5	13-1/2 (343)	6-3/4 (171)	18 (457)	14-1/4 (362)	6-3/4 (171)	32 (813)	7 (178)	16-3/4 (425)				
6	8	18A, B & C		14-3/4 (375)	8 (203)		16 (406)	8 (203)			18 (457)	18 (457)			
6	8	20		14-3/4 (375)	8 (203)		15-3/4 (400)	8 (203)			18 (457)	18 (457)			
8	10	12 & 12A		14-3/4 (375)	8 (203)		17 (432)	9 (229)			17-3/4 (451)	17-3/4 (451)			
8	10	15A & B		14-3/4 (375)	8 (203)		17 (432)	9 (229)			17-3/4 (451)	17-3/4 (451)			
8	10	17B		14-3/4 (375)	8 (203)		17 (432)	8 (203)			17-3/4 (451)	17-3/4 (451)			

BASE	SIZE	HA	HB	HE	HF	HG	HH	HK	HP
6	11 x 42	11 (279)	42-1/2 (1080)	15-7/8 (403)	41-1/8 (1045)	3 (76)	7/8 (22)	1-1/2 (38)	11/16 (18)
9	14 x 48	14 (356)	48-1/2 (1232)	19 (483)	47 (1194)	3 (76)	1 (25)	1-1/2 (38)	3/4 (19)
11	18 x 46	18 (457)	46-1/2 (1181)	25-1/8 (638)	44-7/8 (1140)	4 (102)	1-1/8 (29)	2 (51)	13/16 (21)
12	18 x 54	18 (457)	54-1/2 (1384)	25-1/8 (638)	52-7/8 (1343)	4 (102)	1-1/8 (29)	2 (51)	13/16 (21)
13	18 x 64	18 (457)	64-1/2 (1638)	25-1/8 (638)	62-7/8 (1597)	4 (102)	1-1/8 (29)	2 (51)	13/16 (21)
15	22 x 54	22 (559)	54-1/2 (1384)	29-1/8 (740)	52-7/8 (1343)	4-1/2 (114)	1-1/8 (29)	2 (51)	13/16 (21)
16	22 x 64	22 (559)	64-1/2 (1638)	29-1/8 (740)	62-7/8 (1597)	4-1/2 (114)	1-1/8 (29)	2 (51)	13/16 (21)
17	22 x 74	22 (559)	74-1/2 (1892)	29-1/8 (740)	72-7/8 (1851)	4-1/2 (114)	1-1/8 (29)	2 (51)	13/16 (21)
18	22 x 82	22 (559)	82-1/2 (2096)	29-1/8 (740)	80-7/8 (2054)	4-1/2 (114)	1-1/8 (29)	2 (51)	13/16 (21)

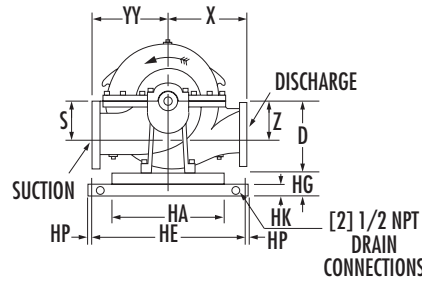
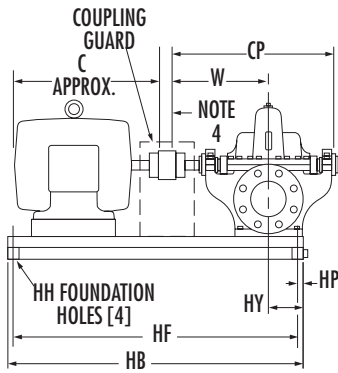
PUMP SIZE			FRAME	213T	215T	254T	256T	284TS	284T	286TS	286T	324TS	324T	326TS	326T	364TS	364T	365TS	365T	404TS	404T	405TS	405T	444TS	444T	445TS	445T	447TS	447T	449TS	449T	
PUMP	DISCH.	SUCT.	C	16 (406)	18 (457)	21 (533)	23 (584)	22 (559)	24 (610)	24 (610)	25 (635)	25 (635)	26 (660)	26 (660)	28 (711)	27 (686)	29 (737)	28 (711)	30 (762)	30 (762)	33 (838)	31 (787)	35 (889)	34 (864)	38 (965)	36 (914)	40 (914)	40 (914)	44 (1118)	45 (1143)	49 (1245)	
4" 1825	4	6	BASE																													
5" 1822A&C	5	6	BASE																													
5" 1823	5	6	BASE																													
5" 1824	5	6	BASE																													
6" 1822	6	8	BASE																													
8" 1822B	8	8	BASE																													
6" 1822HH	6	8	BASE																													
6" 1823HH	6	8	BASE																													
6" 1823	6	8	BASE																													
6" 1824ABC	6	8	BASE																													
6" 1825	6	8	BASE																													
8" 1822 & 8" 1822A	8	10	BASE																													
8" 1823A&C	8	10	BASE																													
8" 1824B	8	10	BASE																													

- NOTES:
- All dimensions in inches (mm).
 - Dimensions may vary ± 3/8" (10).
 - Not for construction purposes unless certified.

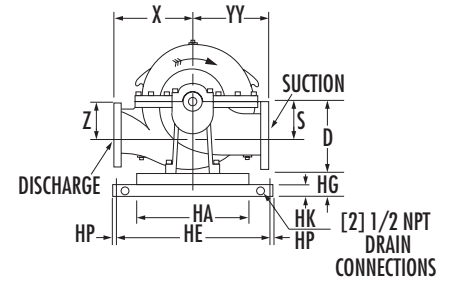
- Coupling gap may vary 1/8" (3) to 2-1/16" (52).
- Conduit box is shown in approximate location. Dimensions are not specified as they vary with each motor manufacturer.
- Discharge and suction flanges – ANSI Standard flat face.

** Dimension "D" is 12" (305) when using frames 404TS through 449T.
 † Dimension "D" is 14-1/2" (368) when using frames 404TS through 449T.

STD. 125# FLANGES	OPT. 250# FLANGES
-------------------	-------------------



RIGHT-HAND ROTATION



LEFT-HAND ROTATION

DRIP RIM BASE

PUMP SIZE			POWER SERIES	D	S	W	X	Z	CP	HY	YY
DISCH.	SUCT.	CASE BORE									
8	10	21 & 21A	6B	18-1/2 (470)	9-1/2 (241)	21-7/8 (556)	18 (457)	9-1/2 (241)	38 (965)	11-1/2 (279)	21 (533)
		12B		23 (584)	12 (305)		16 (406)	12 (305)			19 (483)
		15B & C		25 (635)	13-1/2 (343)		17 (432)	13-1/2 (343)			20 (508)
		18		25 (635)	13-1/2 (343)		18 (457)	13-1/2 (343)			22 (559)
10	12	18D	7A	25 (635)	12-1/4 (311)	24-5/16 (556)	20 (508)	12-1/4 (311)	42-15/16 (1091)	11 (279)	24 (610)
		15B		24 (610)	15 (381)	25-1/4 (641)	17 (432)	15 (381)	43-7/8 (1114)	11-1/2 (292)	22 (559)
14	16	18A	24 (610)	15 (381)	18 (457)		15 (381)	23 (584)			
		18	29-1/4 (743)	16 (406)	22 (559)		16 (406)	27 (686)			

BASE	SIZE	HA	HB	HE	HF	HG	HH	HK	HP
13	18 x 64	18 (457)	64-1/2 (1638)	25-1/8 (638)	62-7/8 (1597)	4 (102)	1-1/8 (29)	2 (51)	13/16 (21)
		22 (559)	74-1/2 (1892)	29-1/8 (740)	72-7/8 (1851)	4-1/2 (114)	1-1/8 (29)	2 (51)	13/16 (21)
17	22 x 74	22 (559)	82-1/2 (2096)	29-1/8 (740)	80-7/8 (2054)	4-1/2 (114)	1-1/8 (29)	2 (51)	13/16 (21)
		22 (559)	82-1/2 (2096)	29-1/8 (740)	80-7/8 (2054)	4-1/2 (114)	1-1/8 (29)	2 (51)	13/16 (21)

PUMP SIZE			FRAME	286TS	286T	324TS	324T	326TS	326T	364TS	364T	365TS	365T	404TS	404T	405TS	405T	444TS	444T	445TS	445T	447TS	447T	449TS	449T
PUMP	DISCH.	SUCT.	C	24 (610)	25 (635)	25 (635)	26 (660)	26 (660)	28 (711)	27 (686)	29 (737)	28 (711)	30 (762)	30 (762)	33 (838)	31 (787)	35 (889)	34 (864)	38 (965)	36 (914)	40 (1016)	40 (1016)	44 (1118)	45 (1143)	49 (1245)
8" 1825 & 8" 1825A	8	10	BASE	13										17					18						
10" 1822B	10	12	BASE																						
10" 1823B&C	10	12	BASE																						
10" 1824	10	12	BASE																						
10" 1824D	10	12	BASE																						
8" 1826	8	12	BASE	-										17					18						
12" 1823B	12	14	BASE																						
12" 1824A	12	14	BASE																						
14" 1824	14	16	BASE	-										17					18						

NOTES:

- All dimensions in inches (mm).
- Dimensions may vary ± 3/8" (10).
- Not for construction purposes unless certified.
- Coupling gap may vary 1/8" (3) to 2-1/16" (52).
- Conduit box is shown in approximate location. Dimensions are not specified as they vary with each motor manufacturer.
- Discharge and suction flanges – ANSI Standard flat face.

STD. 125# FLANGES	OPT. 250# FLANGES

THIS PAGE LEFT INTENTIONALLY BLANK