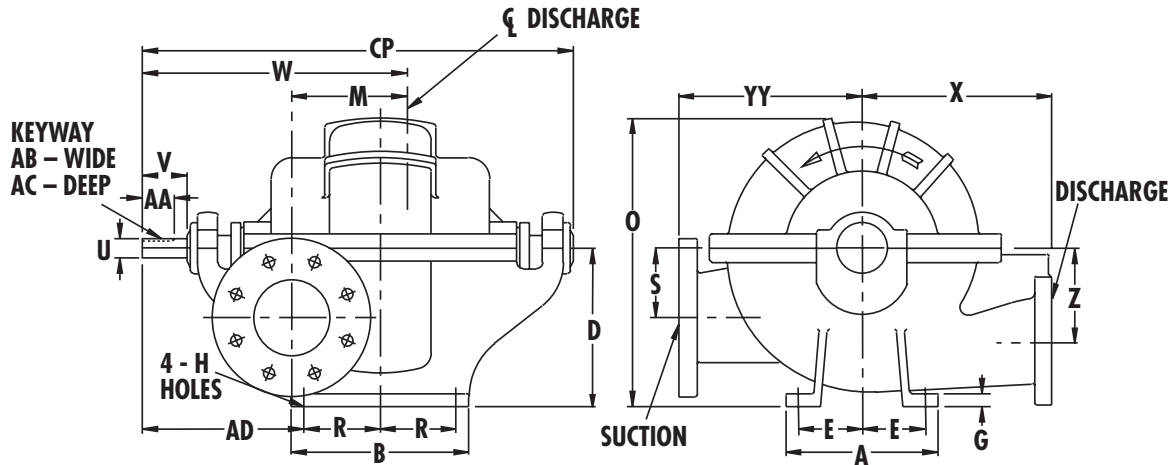


1900 Series Multi-Stage Split Case Pumps Technical Data

Table of Contents

Basic Pump Dimensions.....	034–035
Setting Plans	036–039

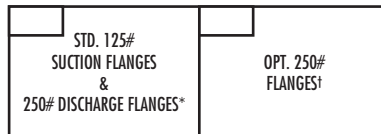


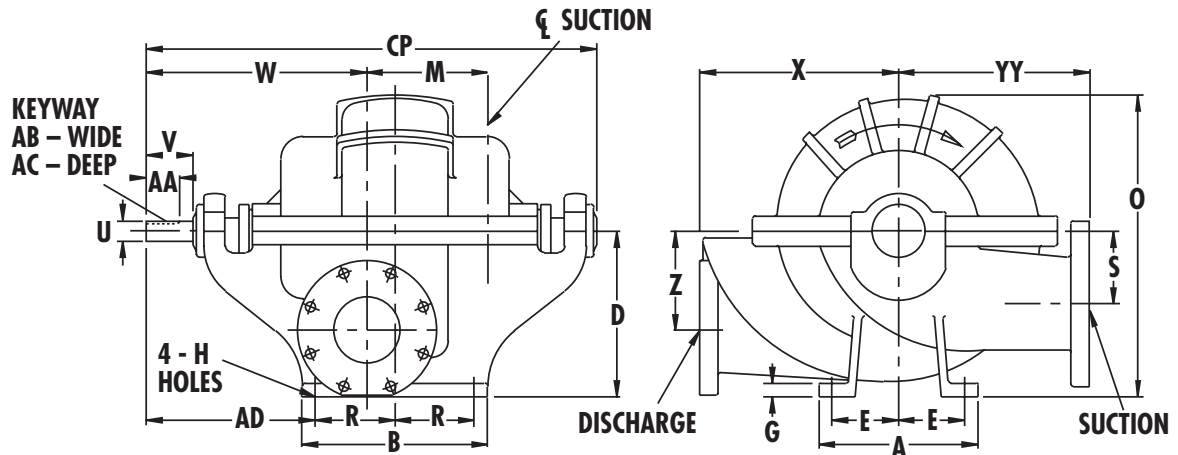
RIGHT-HAND PUMP DIMENSIONS

Model	Pump Size			Power Series	A	B	D	E	G	H	M	O	R	S	U	V	W	X	Z	AA	AB	AC	AD	CP	YY
	Disch.	Suction	Case Bore																						
2" 1923A/ 2" 1923B	2	2-1/2	12	2	8 (203)	10 (254)	9 (229)	3-1/2 (89)	3/4 (19)	5/8 (16)	4-3/4 (121)	19 (483)	4 (102)	4 (102)	1-1/8 (29)	2-3/4 (70)	15-3/4 (400)	10 (254)	5-1/2 (140)	2 (51)	1/4 (6)	1/8 (3)	10-1/2 (268)	26-1/4 (667)	10-1/4 (260)
2-1/2" 1922A	2-1/2	3	12	2	8 (203)	10 (254)	9 (229)	3-1/2 (89)	3/4 (19)	5/8 (16)	5-3/8 (137)	19 (483)	4 (102)	4 (102)	1-1/8 (29)	2-3/4 (70)	15-7/8 (403)	11 (279)	5-1/2 (140)	2 (51)	1/4 (6)	1/8 (3)	10-1/2 (268)	26-1/4 (667)	11 (279)
3" 1923A/ 3" 1923B	3	4	14	3	10 (254)	12 (305)	10 (254)	4-1/4 (108)	7/8 (22)	3/4 (19)	6-3/4 (171)	21 (533)	5 (127)	4-1/2 (114)	1-3/8 (35)	3 (76)	18-3/4 (476)	12 (305)	6 (152)	2 (51)	3/8 (10)	3/16 (5)	12 (305)	31 (787)	12-3/8 (314)
4" 1922	4	5	15	3	10 (254)	12 (305)	11 (279)	4-1/4 (108)	7/8 (22)	3/4 (19)	7-1/8 (181)	23 (584)	5 (127)	5 (127)	1-3/8 (35)	3 (76)	18-7/8 (479)	13 (330)	6-1/2 (165)	2 (51)	3/8 (10)	3/16 (5)	12 (305)	31 (787)	13-1/2 (343)
5" 1924	5	5	12	4A	15 (381)	16 (305)	14 (356)	6-1/2 (165)	1 (25)	7/8 (22)	6-5/8 (168)	24-1/4 (616)	7 (178)	7 (178)	1-1/2 (38)	3-5/8 (92)	20-7/8 (530)	13 (330)	7 (178)	2-1/2 (64)	3/8 (10)	3/16 (5)	12-1/2 (318)	35-3/8 (899)	13 (330)
5" 1922	5	6	15	4	12 (305)	14 (356)	12-1/2 (318)	5 (127)	1 (25)	7/8 (22)	9-1/8 (232)	24-1/2 (622)	6 (152)	5-1/2 (140)	1-1/2 (38)	3-1/2 (89)	21-1/8 (537)	15 (381)	7-1/2 (191)	2 (51)	3/8 (10)	3/16 (5)	13 (330)	34-1/2 (876)	15-7/16 (392)
6" 1924	6	6	12	5A	16 (406)	19 (483)	15 (381)	7 (178)	1 (25)	7/8 (22)	7-1/2 (191)	26-1/4 (667)	8-1/2 (216)	8 (203)	1-3/4 (44)	4 (102)	22-7/8 (581)	14 (356)	8 (203)	2-3/4 (70)	3/8 (10)	3/16 (5)	12-3/4 (324)	38-1/2 (978)	14 (356)
6" 1922A/ 6" 1922B	6	8	17	5	12 (305)	14 (356)	14-3/4 (375)	5 (127)	1 (25)	7/8 (22)	11 (279)	28-1/4 (718)	6 (152)	7 (178)	1-3/4 (44)	4 (102)	24-1/2 (622)	16 (406)	9 (229)	2-7/8 (73)	3/8 (10)	3/16 (5)	15 (381)	38 (965)	16-1/2 (419)
6" 1923/ 6" 1923B	6	8	16/ 16B	5	12 (305)	14 (356)	16-1/2 (419)	5 (127)	1 (25)	7/8 (22)	10-1/2 (267)	33-1/2 (851)	6 (152)	8-1/4 (210)	1-3/4 (44)	4 (102)	23-5/8 (600)	19 (483)	7-3/4 (197)	2-7/8 (73)	3/8 (10)	3/16 (5)	15 (381)	37-7/8 (962)	17 (432)

NOTES

- All dimensions are in inches (mm).
- Dimensions may vary ±3/8" (10).
- Not for construction purposes unless certified.
- Suction & discharge flanges – American Standard flat face.
- *5" 1924 and 6" 1924 standard 150# suction flanges & 300# discharge flanges.
- †5" 1924 and 6" 1924 opt. 300# flanges.





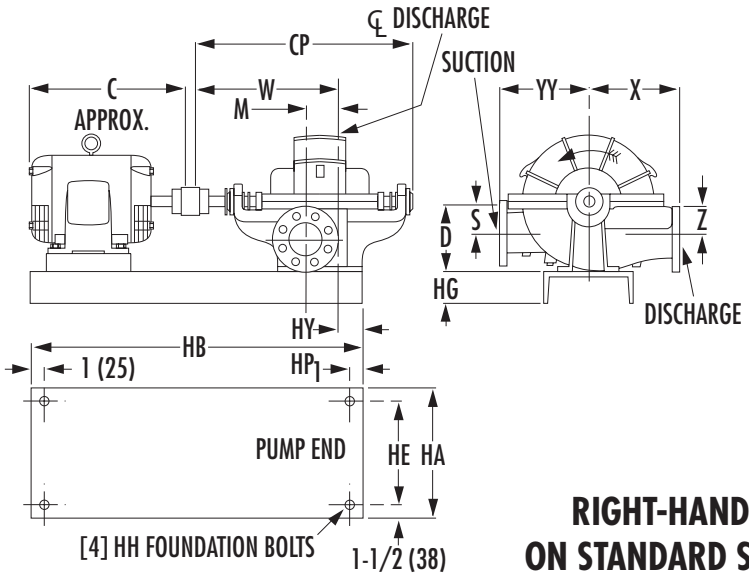
LEFT-HAND PUMP DIMENSIONS

Model	Pump Size			Power Series	A	B	D	E	G	H	M	O	R	S	U	V	W	X	Z	AA	AB	AC	AD	CP	YY
	Disch.	Suction	Case Bore																						
2" 1923A/ 2" 1923B	2	2-1/2	12	2	8 (203)	10 (254)	9 (229)	3-1/2 (89)	3/4 (19)	5/8 (16)	4-3/4 (121)	19 (483)	4 (102)	4 (102)	1-1/8 (29)	2-3/4 (70)	13-1/4 (337)	10 (254)	5-1/2 (140)	2 (51)	1/4 (6)	1/8 (3)	10-1/2 (268)	26-1/4 (667)	10-1/4 (260)
2-1/2" 1922A	2-1/2	3	12	2	8 (203)	10 (254)	9 (229)	3-1/2 (89)	3/4 (19)	5/8 (16)	5-3/8 (137)	19 (483)	4 (102)	4 (102)	1-1/8 (29)	2-3/4 (70)	13-1/8 (333)	11 (279)	5-1/2 (140)	2 (51)	1/4 (6)	1/8 (3)	10-1/2 (268)	26-1/4 (667)	11 (279)
3" 1923A/ 3" 1923B	3	4	14	3	10 (254)	12 (305)	10 (254)	4-1/4 (108)	7/8 (22)	3/4 (19)	6-3/4 (171)	21 (533)	5 (127)	4-1/2 (114)	1-3/8 (35)	3 (76)	15-1/4 (387)	12 (305)	6 (152)	2 (51)	3/8 (10)	3/16 (5)	12 (305)	31 (787)	12-3/8 (314)
4" 1922	4	5	15	3	10 (254)	12 (305)	11 (279)	4-1/4 (108)	7/8 (22)	3/4 (19)	7-1/8 (181)	23 (584)	5 (127)	5 (127)	1-3/8 (35)	3 (76)	15-1/8 (384)	13 (330)	6-1/2 (165)	2 (51)	3/8 (10)	3/16 (5)	12 (305)	31 (787)	13-1/2 (343)
5" 1924	5	5	12	4A	15 (381)	16 (305)	14 (356)	6-1/2 (165)	1 (25)	7/8 (22)	6-5/8 (168)	24-1/4 (616)	7 (178)	7 (178)	1-1/2 (38)	3-5/8 (92)	18-1/8 (460)	13 (330)	7 (178)	2-1/2 (64)	3/8 (10)	3/16 (5)	12-1/2 (318)	35-3/8 (899)	13 (330)
5" 1922	5	6	15	4	12 (305)	14 (356)	12-1/2 (318)	5 (127)	1 (25)	7/8 (22)	9-1/8 (232)	24-1/2 (622)	6 (152)	5-1/2 (140)	1-1/2 (38)	3-1/2 (89)	16-7/8 (429)	15 (381)	7-1/2 (191)	2 (51)	3/8 (10)	3/16 (5)	13 (330)	34-1/2 (876)	15-7/16 (392)
6" 1924	6	6	12	5A	16 (406)	19 (483)	15 (381)	7 (178)	1 (25)	7/8 (22)	7-1/2 (191)	26-1/4 (667)	8-1/2 (216)	8 (203)	1-3/4 (44)	4 (102)	19-5/8 (498)	14 (356)	8 (203)	2-3/4 (70)	3/8 (10)	3/16 (5)	12-3/4 (324)	38-1/2 (978)	14 (356)
6" 1922A/ 6" 1922B	6	8	17	5	12 (305)	14 (356)	14-3/4 (375)	5 (127)	1 (25)	7/8 (22)	11 (279)	28-1/4 (718)	6 (152)	7 (178)	1-3/4 (44)	4 (102)	17-1/2 (445)	16 (406)	9 (229)	2-7/8 (73)	3/8 (10)	3/16 (5)	15 (381)	38 (965)	16-1/2 (419)
6" 1923/ 6" 1923B	6	8	16/ 16B	5	12 (305)	14 (356)	16-1/2 (419)	5 (127)	1 (25)	7/8 (22)	10-1/2 (267)	33-1/2 (851)	6 (152)	8-1/4 (210)	1-3/4 (44)	4 (102)	23-5/8 (600)	19 (483)	7-3/4 (197)	2-7/8 (73)	3/8 (10)	3/16 (5)	15 (381)	37-7/8 (962)	17 (432)

NOTES

- All dimensions are in inches (mm).
- Dimensions may vary $\pm 3/8"$ (10).
- Not for construction purposes unless certified.
- Suction & discharge flanges – American Standard flat face.
- *5" 1924 and 6" 1924 standard 150# suction flanges & 300# discharge flanges.
- †5" 1924 and 6" 1924 opt. 300# flanges.

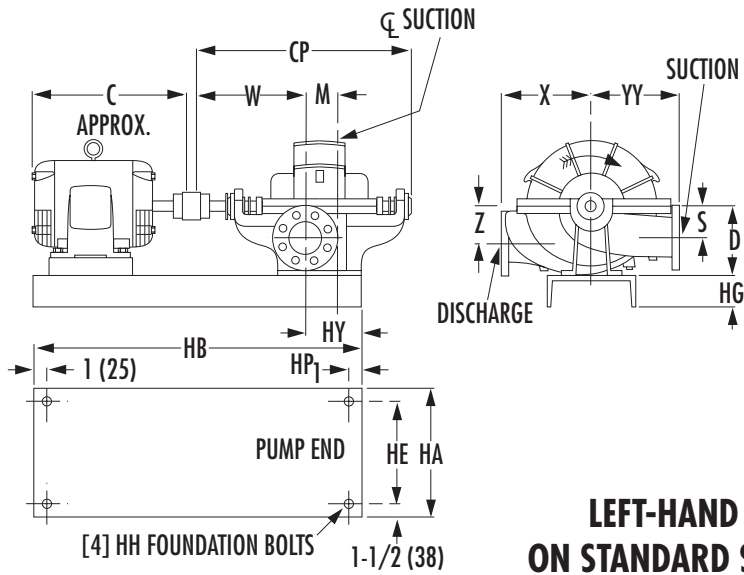




BASE	SIZE	HA	HB	HE	HG	HH	HP
4	12x34	12 (305)	34 (863)	9 (228)	3 (76)	1/2 (13)	20 (508)
5	12x38	12 (305)	38 (964)	9 (228)	3 (76)	1/2 (13)	20 (508)
7	13x42	13 (330)	42 (1066)	10 (254)	4 (102)	5/8 (16)	24 (609)
9	15x44	15 (381)	44 (1117)	12 (305)	3-3/8 (86)	5/8 (16)	24 (609)
11	18x48	18 (457)	48 (1218)	15 (381)	4 (102)	5/8 (16)	1 (25)
12	18x54	18 (457)	54 (1371)	15 (381)	4 (102)	5/8 (16)	1 (25)
13	18x60	18 (457)	60 (1523)	15 (381)	4 (102)	5/8 (16)	24 (609)
15	22x60	22 (558)	60 (1523)	19 (482)	4 (102)	5/8 (16)	1 (25)
16	22x72	22 (558)	72 (1827)	19 (482)	4 (102)	5/8 (16)	1 (25)
17	22x84	22 (558)	84 (2134)	19 (482)	4 (102)	5/8 (16)	1 (25)

Model	PUMP SIZE			POWER SERIES	D	M	S	W	Z	CP	HY	X	YY	C FRAME	145T	182T	184T	213T	215T	254T	256T	284T	286T	286TS	324TS	324T	326TS	326T	364TS	364T	365TS	404TS	404T	405TS	405T	444TS	444T	447TS	449TS			
	DISCH.	SUCTION	CASE BORE												125# SUCTION FLANGE, 250# DISCHARGE FLANGE	150# SUCTION FLANGE, 300# DISCHARGE FLANGE	125# SUCTION FLANGE, 250# DISCHARGE FLANGE	150# SUCTION FLANGE, 300# DISCHARGE FLANGE	125# SUCTION FLANGE, 250# DISCHARGE FLANGE	150# SUCTION FLANGE, 300# DISCHARGE FLANGE	125# SUCTION FLANGE, 250# DISCHARGE FLANGE	150# SUCTION FLANGE, 300# DISCHARGE FLANGE	125# SUCTION FLANGE, 250# DISCHARGE FLANGE	150# SUCTION FLANGE, 300# DISCHARGE FLANGE	125# SUCTION FLANGE, 250# DISCHARGE FLANGE	150# SUCTION FLANGE, 300# DISCHARGE FLANGE	125# SUCTION FLANGE, 250# DISCHARGE FLANGE	150# SUCTION FLANGE, 300# DISCHARGE FLANGE	125# SUCTION FLANGE, 250# DISCHARGE FLANGE	150# SUCTION FLANGE, 300# DISCHARGE FLANGE	125# SUCTION FLANGE, 250# DISCHARGE FLANGE	150# SUCTION FLANGE, 300# DISCHARGE FLANGE	125# SUCTION FLANGE, 250# DISCHARGE FLANGE	150# SUCTION FLANGE, 300# DISCHARGE FLANGE	125# SUCTION FLANGE, 250# DISCHARGE FLANGE	150# SUCTION FLANGE, 300# DISCHARGE FLANGE	125# SUCTION FLANGE, 250# DISCHARGE FLANGE	150# SUCTION FLANGE, 300# DISCHARGE FLANGE	125# SUCTION FLANGE, 250# DISCHARGE FLANGE	150# SUCTION FLANGE, 300# DISCHARGE FLANGE	125# SUCTION FLANGE, 250# DISCHARGE FLANGE	150# SUCTION FLANGE, 300# DISCHARGE FLANGE
2" 1923A/ 2" 1923B	2	2-1/2	12	2	9 (228)	4-3/4 (121)	4 (102)	15-3/4 (400)	5-1/2 (140)	26-1/4 (666)	3-3/4 (95)	10 (254)	10-1/4 (260)	BASE	4	4	4	5	5	9	9	9	9	9	11	11	11	11	11	11	11	11	11	11	11	11	11	11	11	11	11	
2-1/2" 1922A	2-1/2	3	12	2	9-3/4 (248)	5-3/8 (136)	4 (102)	15-7/8 (403)	5-1/2 (140)	26-1/4 (666)	3-5/8 (92)	11 (279)	11 (279)	BASE	4	4	4	5	5	9	9	9	9	9	11	11	11	11	11	11	11	11	11	11	11	11	11	11	11	11	11	11
3" 1923A/ 3" 1923B	3	4	14	3	11 (279)	6-3/4 (171)	4-1/2 (114)	18-3/4 (476)	6 (152)	31 (787)	4-1/4 (108)	12 (305)	12-3/8 (314)	BASE	5	5	7	7	9	11	11	11	11	11	11	12	12	12	12	12	12	12	12	15	15	15	15	15	15	15	15	
4" 1922	4	5	15	3	11 (279)	7-1/8 (181)	5 (130)	18-7/8 (479)	6-1/2 (165)	31 (787)	4-1/8 (105)	13 (330)	13-1/2 (343)	BASE					9	11	11	11	11	11	11	12	12	12	12	12	12	15	15	15	15	15	15	15	15	15		
5" 1924	5	5	12	4A	14 (356)	6-5/8 (168)	7 (178)	20-7/8 (530)	7 (178)	35-3/8 (899)	11-1/8 (283)	13 (330)	13 (330)	BASE																		16	16	16	16	16	17	17	17			
5" 1922	5	6	15	4	12-1/2 (317)	9-1/8 (232)	5-1/2 (140)	21-1/8 (536)	7-1/2 (190)	34-1/2 (876)	4-7/8 (124)	15 (381)	15-7/16 (392)	BASE					11	12	12	12	12	12	12	12	12	12	12	12	13	15	15	15	15	16	16	16	16	16		
6" 1924	6	6	12	5A	15 (381)	7-1/2 (191)	8 (203)	22-7/8 (581)	8 (203)	38-1/2 (978)	10-7/8 (276)	14 (356)	14 (356)	BASE																		16	16	16	16	16	16	16	16	17		
6" 1922A/ 6" 1922B	6	8	17	5	14-3/4 (374)	11 (279)	7 (178)	24-1/2 (622)	9 (228)	38 (964)	3-1/2 (89)	16 (406)	16-1/2 (419)	BASE					12	12	12	12	12	12	12	12	12	13	13	13	13	15	15	15	15	16	16	16	16	16		
6" 1923/ 6" 1923B	6	8	16/ 16B	5	16-1/2 (419)	10-1/2 (267)	8-1/4 (210)	23-5/8 (600)	7-3/4 (197)	37-7/8 (962)	5 (127)	19 (483)	17 (432)	BASE																	13	13	16	16	16	16	16	16	16	17		

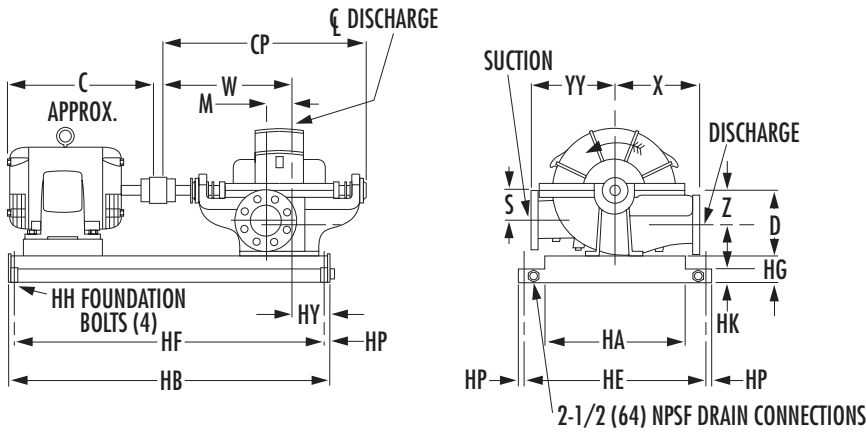
- NOTES
- All dimensions are in inches.
 - Dimensions may vary ±3/8".
 - Not for construction purposes unless certified.
 - Coupling gap may vary 1/8" through 1".
 - Conduit box is shown in approximate location. Dimensions are not specified as they vary with each motor manufacturer.
 - Suction and discharge flanges are ANSI standard flat face.



BASE	SIZE	HA	HB	HE	HG	HH	HP
4	12x34	12 (305)	34 (863)	9 (228)	3 (76)	1/2 (13)	20 (508)
5	12x38	12 (305)	38 (964)	9 (228)	3 (76)	1/2 (13)	20 (508)
7	13x42	13 (330)	42 (1066)	10 (254)	4 (102)	5/8 (16)	24 (609)
9	15x44	15 (381)	44 (1117)	12 (305)	3-3/8 (86)	5/8 (16)	24 (609)
11	18x48	18 (457)	48 (1218)	15 (381)	4 (102)	5/8 (16)	1 (25)
12	18x54	18 (457)	54 (1371)	15 (381)	4 (102)	5/8 (16)	1 (25)
13	18x60	18 (457)	60 (1523)	15 (381)	4 (102)	5/8 (16)	24 (609)
15	22x60	22 (558)	60 (1523)	19 (482)	4 (102)	5/8 (16)	1 (25)
16	22x72	22 (558)	72 (1827)	19 (482)	4 (102)	5/8 (16)	1 (25)
17	22x84	22 (558)	84 (2134)	19 (482)	4 (102)	5/8 (16)	1 (25)

Model	PUMP SIZE			POWER SERIES	D	M	S	W	Z	CP	HY	X	YY	C FRAME	145T	182T	184T	213T	215T	254T	256T	284TS	284T	286TS	286T	324TS	324T	326TS	326T	364TS	364T	365TS	365T	404TS	404T	405TS	405T	444TS	444T	447TS	447T	449TS	449T				
	DISCH.	SUCTION	CASE BORE												12 13 14 16 18 21 23 24 24 25 25 26 26 28 27 29 28 30 30 33 31 34 34 36 39 45																																
2" 1923A/ 2" 1923B	2	2-1/2	12	2	9 (228)	4-3/4 (121)	4 (102)	13-1/4 (337)	5-1/2 (140)	26-1/4 (666)	6-1/4 (159)	10 (254)	10-1/4 (260)	BASE	4	4	4	5	5	9	9	9	9	9	11	11	11	11	11	11	11	11	11	11	11	11	11	11	11	11	11	11	11	11	11		
2-1/2" 1922A	2-1/2	3	12	2	9-3/4 (248)	5-3/8 (136)	4 (102)	13-1/8 (333)	5-1/2 (140)	26-1/4 (666)	6-3/8 (162)	11 (279)	11 (279)	BASE	4	4	4	5	5	9	9	9	9	9	11	11	11	11	11	11	11	11	11	11	11	11	11	11	11	11	11	11	11	11	11	11	11
3" 1923A/ 3" 1923B	3	4	14	3	11 (279)	6-3/4 (171)	4-1/2 (114)	15-1/4 (387)	6 (152)	31 (787)	7-3/4 (197)	12 (305)	12-3/8 (314)	BASE	5	5	7	7	9	9	11	11	11	11	11	11	11	12	12	12	12	12	12	12	12	15	15	15	15	15	15	15	15	15	15	15	
4" 1922	4	5	15	3	11 (279)	7-1/8 (181)	5 (130)	15-1/8 (384)	6-1/2 (165)	31 (787)	7-7/8 (257)	13 (330)	13-1/2 (343)	BASE					9	11	11	11	11	11	11	11	12	12	12	12	12	12	12	12	15	15	15	15	15	15	15	15	15	15	15	15	
5" 1924	5	5	12	4A	14 (356)	6-5/8 (168)	7 (178)	18-1/8 (460)	7 (178)	35-3/8 (899)	13-7/8 (352)	13 (330)	13 (330)	BASE																				16	16	16	16	16	17	17	17	17	17	17			
5" 1922	5	6	15	4	12-1/2 (317)	9-1/8 (232)	5-1/2 (140)	16-7/8 (536)	7-1/2 (190)	34-1/2 (876)	9-1/8 (232)	15 (381)	15-7/16 (392)	BASE					11	12	12	12	12	12	12	12	12	12	12	12	12	12	13	15	15	15	15	15	15	15	15	15	15	15	15		
6" 1924	6	6	12	5A	15 (381)	7-1/2 (191)	8 (203)	19-5/8 (498)	8 (203)	38-1/2 (978)	14-1/8 (359)	14 (356)	14 (356)	BASE																					16	16	16	16	16	16	16	16	16	16	16		
6" 1922A/ 6" 1922B	6	8	17	5	14-3/4 (374)	11 (279)	7 (178)	17-1/2 (445)	9 (228)	38 (964)	10-1/2 (267)	16 (406)	16-1/2 (419)	BASE					12	12	12	12	12	12	12	12	12	12	13	13	13	13	13	15	15	15	15	15	15	15	15	15	15	15	15	15	
6" 1923/ 6" 1923B	6	8	16/ 16B	5	16-1/2 (419)	10-1/2 (267)	8-1/4 (210)	18-3/8 (467)	7-3/4 (197)	37-7/8 (962)	10-1/4 (260)	19 (483)	17 (432)	BASE																			13	13	16	16	16	16	16	16	16	16	16	16	16	16	

- NOTES
- All dimensions are in inches.
 - Dimensions may vary ±3/8".
 - Not for construction purposes unless certified.
 - Coupling gap may vary 1/8" through 1".
 - Conduit box is shown in approximate location. Dimensions are not specified as they vary with each motor manufacturer.
 - Suction and discharge flanges are ANSI standard flat face.

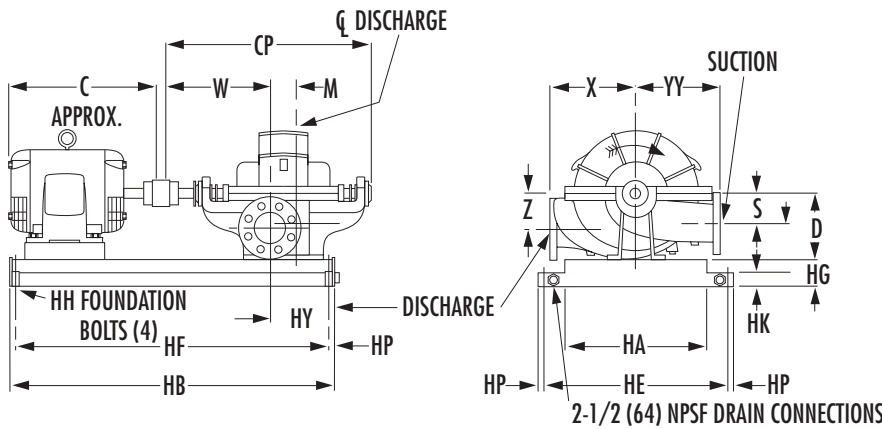


**RIGHT-HAND PUMP
ON STEEL DRIP RIM BASE**

BASE	SIZE	HA	HB	HE	HF	HG	HH	HK	HP
3	9x33	9 11x36 (851)	33-1/2 (851)	13-3/4 (349)	32-1/4 (826)	3 (76)	3/8 (10)	1-1/2 (38)	5/8 (16)
5	11x36	11 14x42 (927)	36-1/2 (927)	15-7/8 (403)	35-1/8 (892)	3 (76)	1/2 (13)	1-1/2 (38)	11/16 (17)
6	11x42	11 14x56 (1080)	42-1/2 (1080)	15-7/8 (403)	41-1/8 (1045)	3 (76)	1/2 (13)	1-1/2 (38)	11/16 (17)
8	14x42	14 18x54 (1080)	42-1/2 (1080)	19 (483)	41 (1041)	3 (76)	5/8 (16)	1-1/2 (38)	3/4 (19)
9	14x48	14 22x54 (1232)	48-1/2 (1232)	19 (483)	47 (1194)	3 (76)	5/8 (16)	1-1/2 (38)	3/4 (19)
10	14x56	14 22x74 (1435)	56-1/2 (1435)	19 (483)	55 (1397)	3 (76)	5/8 (16)	1-1/2 (38)	3/4 (19)
11	18x46	18 (457)	46-1/2 (1181)	25-1/8 (638)	44-7/8 (1140)	4 (102)	3/4 (19)	2 (51)	13/16 (21)
12	18x54	18 (457)	54-1/2 (1384)	25-1/8 (638)	52-7/8 (1343)	4 (102)	3/4 (19)	2 (51)	13/16 (21)
13	18x64	18 (457)	64-1/2 (1638)	25-1/8 (638)	62-7/8 (1597)	4 (102)	3/4 (19)	2 (51)	13/16 (21)
15	22x54	22 (559)	54-1/2 (1384)	29-1/8 (740)	52-7/8 (1343)	4-1/2 (114)	3/4 (19)	2 (51)	13/16 (21)
16	22x64	22 (559)	64-1/2 (1638)	29-1/8 (740)	62-7/8 (1597)	4-1/2 (114)	3/4 (19)	2 (51)	13/16 (21)
17	22x74	22 (559)	74-1/2 (1892)	29-1/8 (740)	72-7/8 (1851)	4-1/2 (114)	3/4 (19)	2 (51)	13/16 (21)
18	22x82	22 (559)	82-1/2 (2273)	29-1/8 (740)	80-7/8 (2054)	4-1/2 (114)	3/4 (19)	2 (51)	13/16 (21)

Model	PUMP SIZE			POWER SERIES	DIMENSIONS (INCHES)										C FRAME	
	DISCH.	SUCTION	CASE BORE		D	M	S	W	Z	CP	HY	X	YY	145T	182T	
2" 1923A/ 2" 1923B	2	2-1/2	12	2	9 (228)	4-3/4 (121)	4 (102)	15-3/4 (400)	5-1/2 (140)	26-1/4 (666)	4-1/4 (108)	10 (254)	10-1/4 (260)	BASE	BASE	
2-1/2" 1922A	2-1/2	3	12	2	9-3/4 (248)	5-3/8 (136)	4 (102)	15-7/8 (403)	5-1/2 (140)	26-1/4 (666)	4-1/8 (105)	11 (279)	11 (279)	BASE	BASE	
3" 1923A/ 3" 1923B	3	4	14	3	10-3/4 (273)	6-3/4 (171)	4-1/2 (114)	18-3/4 (476)	6 (152)	31 (787)	4-3/4 (121)	12 (305)	12-3/8 (314)	BASE	BASE	
4" 1922	4	5	15	3	11 (279)	7-1/8 (181)	5 (130)	18-7/8 (479)	6-1/2 (165)	31 (787)	4-5/8 (117)	13 (330)	13-1/2 (343)	BASE	BASE	
5" 1924	5	5	12	4A	14 (356)	6-5/8 (168)	7 (178)	20-7/8 (530)	7 (178)	35-3/8 (899)	11-1/8 (283)	13 (330)	13 (330)	BASE	BASE	
5" 1922	5	6	15	4	12-1/2 (317)	9-1/8 (232)	5-1/2 (140)	21-1/8 (536)	7-1/2 (190)	34-1/2 (876)	5-3/8 (137)	15 (381)	15-7/16 (392)	BASE	BASE	
6" 1924	6	6	12	5A	15 (381)	7-1/2 (191)	8 (203)	22-7/8 (581)	8 (203)	38-1/2 (978)	10-7/8 (276)	14 (356)	14 (356)	BASE	BASE	
6" 1922A/ 6" 1922B	6	8	17	5	14-3/4 (374)	11 (279)	7 (178)	24-1/2 (622)	9 (228)	38 (964)	4 (102)	16 (406)	16-1/2 (419)	BASE	BASE	
6" 1923/ 6" 1923B	6	8	16/ 16B	5	16-1/2 (419)	10-1/2 (267)	8-1/4 (210)	23-5/8 (600)	7-3/4 (197)	37-7/8 (962)	5 (127)	19 (483)	17 (432)	BASE	BASE	

- NOTES
1. All dimensions are in inches.
 2. Dimensions may vary ±3/8".
 3. Not for construction purposes unless certified.
 4. Coupling gap may vary 1/8" through 1".
 5. Conduit box is shown in approximate location. Dimensions are not specified as they vary with each motor manufacturer.
 6. Suction and discharge flanges are ANSI standard flat face.



**LEFT-HAND PUMP
ON STEEL DRIP RIM BASE**

BASE	SIZE	HA	HB	HE	HF	HG	HH	HK	HP
3	9x33	9 (229)	33-1/2 (851)	13-3/4 (349)	32-1/4 (826)	3 (76)	3/8 (10)	1-1/2 (38)	5/8 (16)
5	11x36	11 (279)	36-1/2 (927)	15-7/8 (403)	35-1/8 (892)	3 (76)	1/2 (13)	1-1/2 (38)	11/16 (17)
6	11x42	11 (279)	42-1/2 (1080)	15-7/8 (403)	41-1/8 (1045)	3 (76)	1/2 (13)	1-1/2 (38)	11/16 (17)
8	14x42	14 (356)	42-1/2 (1080)	19 (483)	41 (1041)	3 (76)	5/8 (16)	1-1/2 (38)	3/4 (19)
9	14x48	14 (356)	48-1/2 (1232)	19 (483)	47 (1194)	3 (76)	5/8 (16)	1-1/2 (38)	3/4 (19)
10	14x56	14 (356)	56-1/2 (1435)	19 (483)	55 (1397)	3 (76)	5/8 (16)	1-1/2 (38)	3/4 (19)
11	18x46	18 (457)	46-1/2 (1181)	25-1/8 (638)	44-7/8 (1140)	4 (102)	3/4 (19)	2 (51)	13/16 (21)
12	18x54	18 (457)	54-1/2 (1384)	25-1/8 (638)	52-7/8 (1343)	4 (102)	3/4 (19)	2 (51)	13/16 (21)
13	18x64	18 (457)	64-1/2 (1638)	25-1/8 (638)	62-7/8 (1597)	4 (102)	3/4 (19)	2 (51)	13/16 (21)
15	22x54	22 (559)	54-1/2 (1384)	29-1/8 (740)	52-7/8 (1343)	4-1/2 (114)	3/4 (19)	2 (51)	13/16 (21)
16	22x64	22 (559)	64-1/2 (1638)	29-1/8 (740)	62-7/8 (1597)	4-1/2 (114)	3/4 (19)	2 (51)	13/16 (21)
17	22x74	22 (559)	74-1/2 (1892)	29-1/8 (740)	72-7/8 (1851)	4-1/2 (114)	3/4 (19)	2 (51)	13/16 (21)
18	22x82	22 (559)	82-1/2 (2273)	29-1/8 (740)	80-7/8 (2054)	4-1/2 (114)	3/4 (19)	2 (51)	13/16 (21)

Model		PUMP SIZE			POWER SERIES	DIMENSIONS (INCHES)										FRAME																																				
		DISCH.	SUCTION	CASE BORE		D	M	S	W	Z	CP	HY	X	YY	C	145T	182T	184T	213T	215T	254T	256T	284TS	286TS	286TS	324TS	324T	326TS	326T	364TS	364T	365TS	365TS	404TS	404T	405TS	405T	444TS	444T	445TS	445T	447TS	447T	449TS	449T							
2" 1923A/ 2" 1923B	2	2-1/2	12	2	9 (228)	4-3/4 (121)	4 (102)	13-1/4 (337)	5-1/2 (140)	26-1/4 (666)	6-3/4 (171)	10 (254)	10-1/4 (260)	BASE	3	3	5	6	8	8	8	8	9	9	9	11	11	11	11	11	11	12	12	12																		
2-1/2" 1922A	2-1/2	3	12	2	9-3/4 (248)	5-3/8 (136)	4 (102)	13-1/8 (333)	5-1/2 (140)	26-1/4 (666)	6-7/8 (175)	11 (279)	11 (279)	BASE	3	3	5	6	8	8	8	8	9	9	9	11	11	11	11	11	12	12	12	12																		
3" 1923A/ 3" 1923B	3	4	14	3	10-3/4 (273)	6-3/4 (171)	4-1/2 (114)	15-1/4 (387)	6 (152)	31 (787)	8-1/4 (210)	12 (305)	12-3/8 (314)	BASE				6	9	9	9	9	9	9	12	12	12	12	12	12	12	15	16	15																		
4" 1922	4	5	15	3	11 (279)	7-1/8 (181)	5 (130)	15-1/8 (460)	6-1/2 (165)	31 (787)	8-3/8 (213)	13 (330)	13-1/2 (343)	BASE									9	9	9	12	12	12	12	12	12	15	16	15																		
5" 1924	5	5	12	4A	14 (356)	6-5/8 (168)	7 (178)	18-1/8 (460)	7 (178)	35-3/8 (899)	13-7/8 (352)	13 (330)	13 (330)	BASE																		17	17	17	17	17	17	17	18	18												
5" 1922	5	6	15	4	12-1/2 (317)	9-1/8 (232)	5-1/2 (140)	16-7/8 (429)	7-1/2 (190)	34-1/2 (876)	9-5/8 (244)	15 (381)	15-7/16 (392)	BASE										12	12	12	12	12	13	16	16	16	16	16	16	16	16	16	16	16	16											
6" 1924	6	6	12	5A	15 (381)	7-1/2 (191)	8 (203)	19-5/8 (498)	8 (203)	38-1/2 (978)	14-1/8 (359)	14 (356)	14 (356)	BASE																	17	17	17	17	17	17	17	17	17	18	18											
6" 1922A/ 6" 1922B	6	8	17	5	14-3/4 (374)	11 (279)	7 (178)	17-1/2 (445)	9 (228)	38 (964)	11 (279)	16 (406)	16-1/2 (419)	BASE									10	10	10	10	12	12	13	13	13	13	13	16	16	16	16	16	16	16	16	17	17									
6" 1923/ 6" 1923B	6	8	16/ 16B	5	16-1/2 (419)	10-1/2 (267)	8-1/4 (210)	18-3/8 (467)	7-3/4 (197)	37-7/8 (962)	10-1/4 (260)	19 (483)	17 (432)	BASE																16	16	16	16	16	16	16	16	16	17	17	17	17	18	18								

- NOTES
- All dimensions are in inches.
 - Dimensions may vary $\pm 3/8"$.
 - Not for construction purposes unless certified.
 - Coupling gap may vary 1/8" through 1".
 - Conduit box is shown in approximate location. Dimensions are not specified as they vary with each motor manufacturer.
 - Suction and discharge flanges are ANSI standard flat face.

THIS PAGE LEFT BLANK INTENTIONALLY