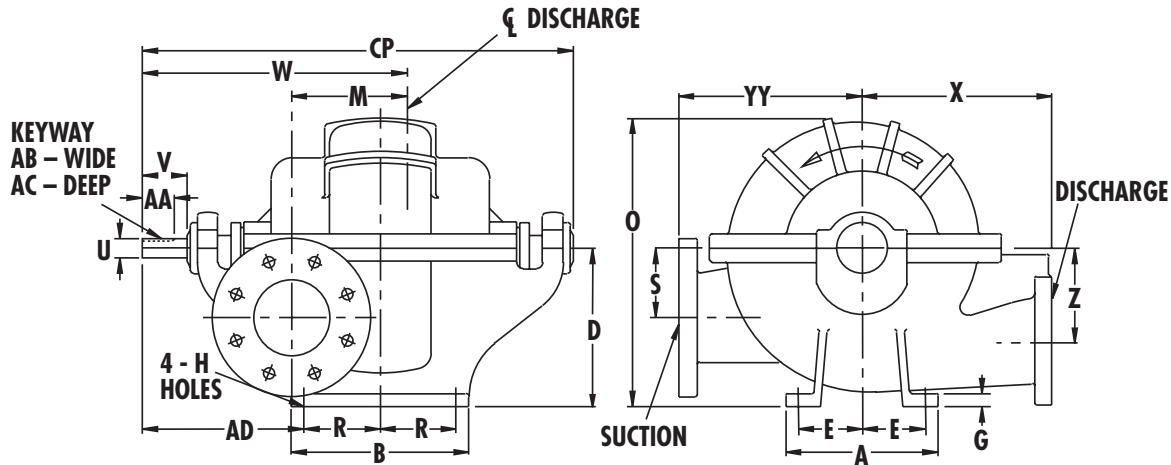


# 1900 Series Multi-Stage Split Case Pumps Technical Data

## Table of Contents

Basic Pump Dimensions.....	034–035
Setting Plans .....	036–039



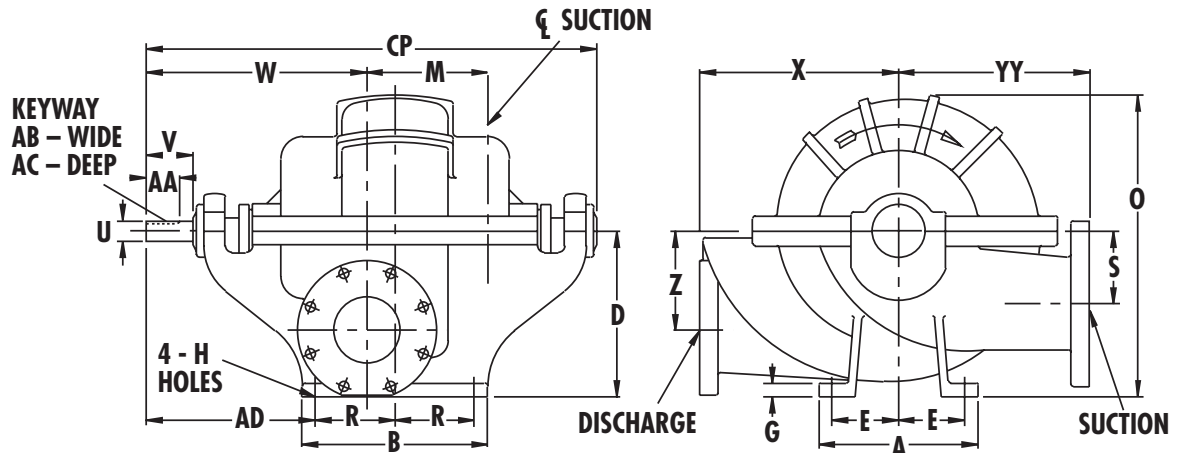
**RIGHT-HAND PUMP DIMENSIONS**

Model	Pump Size			Power Series	A	B	D	E	G	H	M	O	R	S	U	V	W	X	Z	AA	AB	AC	AD	CP	YY
	Disch.	Suction	Case Bore																						
2" 1923A/ 2" 1923B	2	2-1/2	12	2	8 (203)	10 (254)	9 (229)	3-1/2 (89)	3/4 (19)	5/8 (16)	4-3/4 (121)	19 (483)	4 (102)	4 (102)	1-1/8 (29)	2-3/4 (70)	15-3/4 (400)	10 (254)	5-1/2 (140)	2 (51)	1/4 (6)	1/8 (3)	10-1/2 (268)	26-1/4 (667)	10-1/4 (260)
2-1/2" 1922A	2-1/2	3	12	2	8 (203)	10 (254)	9 (229)	3-1/2 (89)	3/4 (19)	5/8 (16)	5-3/8 (137)	19 (483)	4 (102)	4 (102)	1-1/8 (29)	2-3/4 (70)	15-7/8 (403)	11 (279)	5-1/2 (140)	2 (51)	1/4 (6)	1/8 (3)	10-1/2 (268)	26-1/4 (667)	11 (279)
3" 1923A/ 3" 1923B	3	4	14	3	10 (254)	12 (305)	10 (254)	4-1/4 (108)	7/8 (22)	3/4 (19)	6-3/4 (171)	21 (533)	5 (127)	4-1/2 (114)	1-3/8 (35)	3 (76)	18-3/4 (476)	12 (305)	6 (152)	2 (51)	3/8 (10)	3/16 (5)	12 (305)	31 (787)	12-3/8 (314)
4" 1922	4	5	15	3	10 (254)	12 (305)	11 (279)	4-1/4 (108)	7/8 (22)	3/4 (19)	7-1/8 (181)	23 (584)	5 (127)	5 (127)	1-3/8 (35)	3 (76)	18-7/8 (479)	13 (330)	6-1/2 (165)	2 (51)	3/8 (10)	3/16 (5)	12 (305)	31 (787)	13-1/2 (343)
5" 1924	5	5	12	4A	15 (381)	16 (305)	14 (356)	6-1/2 (165)	1 (25)	7/8 (22)	6-5/8 (168)	24-1/4 (616)	7 (178)	7 (178)	1-1/2 (38)	3-5/8 (92)	20-7/8 (530)	13 (330)	7 (178)	2-1/2 (64)	3/8 (10)	3/16 (5)	12-1/2 (318)	35-3/8 (899)	13 (330)
5" 1922	5	6	15	4	12 (305)	14 (356)	12-1/2 (318)	5 (127)	1 (25)	7/8 (22)	9-1/8 (232)	24-1/2 (622)	6 (152)	5-1/2 (140)	1-1/2 (38)	3-1/2 (89)	21-1/8 (537)	15 (381)	7-1/2 (191)	2 (51)	3/8 (10)	3/16 (5)	13 (330)	34-1/2 (876)	15-7/16 (392)
6" 1924	6	6	12	5A	16 (406)	19 (483)	15 (381)	7 (178)	1 (25)	7/8 (22)	7-1/2 (191)	26-1/4 (667)	8-1/2 (216)	8 (203)	1-3/4 (44)	4 (102)	22-7/8 (581)	14 (356)	8 (203)	2-3/4 (70)	3/8 (10)	3/16 (5)	12-3/4 (324)	38-1/2 (978)	14 (356)
6" 1922A/ 6" 1922B	6	8	17	5	12 (305)	14 (356)	14-3/4 (375)	5 (127)	1 (25)	7/8 (22)	11 (279)	28-1/4 (718)	6 (152)	7 (178)	1-3/4 (44)	4 (102)	24-1/2 (622)	16 (406)	9 (229)	2-7/8 (73)	3/8 (10)	3/16 (5)	15 (381)	38 (965)	16-1/2 (419)
6" 1923/ 6" 1923B	6	8	16/ 16B	5	12 (305)	14 (356)	16-1/2 (419)	5 (127)	1 (25)	7/8 (22)	10-1/2 (267)	33-1/2 (851)	6 (152)	8-1/4 (210)	1-3/4 (44)	4 (102)	23-5/8 (600)	19 (483)	7-3/4 (197)	2-7/8 (73)	3/8 (10)	3/16 (5)	15 (381)	37-7/8 (962)	17 (432)

NOTES

- All dimensions are in inches (mm).
- Dimensions may vary ±3/8" (10).
- Not for construction purposes unless certified.
- Suction & discharge flanges – American Standard flat face.
- \*5" 1924 and 6" 1924 standard 150# suction flanges & 300# discharge flanges.
- †5" 1924 and 6" 1924 opt. 300# flanges.

STD. 125# SUCTION FLANGES & 250# DISCHARGE FLANGES*	OPT. 250# FLANGES†
--	-----------------------



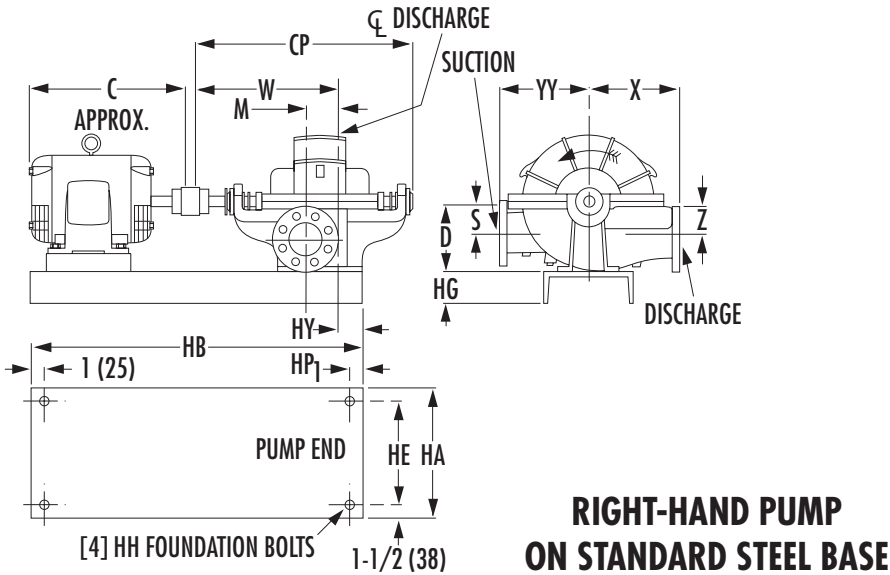
### LEFT-HAND PUMP DIMENSIONS

Model	Pump Size			Power Series	A	B	D	E	G	H	M	O	R	S	U	V	W	X	Z	AA	AB	AC	AD	CP	YY
	Disch.	Suction	Case Bore																						
2" 1923A/ 2" 1923B	2	2-1/2	12	2	8 (203)	10 (254)	9 (229)	3-1/2 (89)	3/4 (19)	5/8 (16)	4-3/4 (121)	19 (483)	4 (102)	4 (102)	1-1/8 (29)	2-3/4 (70)	13-1/4 (337)	10 (254)	5-1/2 (140)	2 (51)	1/4 (6)	1/8 (3)	10-1/2 (268)	26-1/4 (667)	10-1/4 (260)
2-1/2" 1922A	2-1/2	3	12	2	8 (203)	10 (254)	9 (229)	3-1/2 (89)	3/4 (19)	5/8 (16)	5-3/8 (137)	19 (483)	4 (102)	4 (102)	1-1/8 (29)	2-3/4 (70)	13-1/8 (333)	11 (279)	5-1/2 (140)	2 (51)	1/4 (6)	1/8 (3)	10-1/2 (268)	26-1/4 (667)	11 (279)
3" 1923A/ 3" 1923B	3	4	14	3	10 (254)	12 (305)	10 (254)	4-1/4 (108)	7/8 (22)	3/4 (19)	6-3/4 (171)	21 (533)	5 (127)	4-1/2 (114)	1-3/8 (35)	3 (76)	15-1/4 (387)	12 (305)	6 (152)	2 (51)	3/8 (10)	3/16 (5)	12 (305)	31 (787)	12-3/8 (314)
4" 1922	4	5	15	3	10 (254)	12 (305)	11 (279)	4-1/4 (108)	7/8 (22)	3/4 (19)	7-1/8 (181)	23 (584)	5 (127)	5 (127)	1-3/8 (35)	3 (76)	15-1/8 (384)	13 (330)	6-1/2 (165)	2 (51)	3/8 (10)	3/16 (5)	12 (305)	31 (787)	13-1/2 (343)
5" 1924	5	5	12	4A	15 (381)	16 (305)	14 (356)	6-1/2 (165)	1 (25)	7/8 (22)	6-5/8 (168)	24-1/4 (616)	7 (178)	7 (178)	1-1/2 (38)	3-5/8 (92)	18-1/8 (460)	13 (330)	7 (178)	2-1/2 (64)	3/8 (10)	3/16 (5)	12-1/2 (318)	35-3/8 (899)	13 (330)
5" 1922	5	6	15	4	12 (305)	14 (356)	12-1/2 (318)	5 (127)	1 (25)	7/8 (22)	9-1/8 (232)	24-1/2 (622)	6 (152)	5-1/2 (140)	1-1/2 (38)	3-1/2 (89)	16-7/8 (429)	15 (381)	7-1/2 (191)	2 (51)	3/8 (10)	3/16 (5)	13 (330)	34-1/2 (876)	15-7/16 (392)
6" 1924	6	6	12	5A	16 (406)	19 (483)	15 (381)	7 (178)	1 (25)	7/8 (22)	7-1/2 (191)	26-1/4 (667)	8-1/2 (216)	8 (203)	1-3/4 (44)	4 (102)	19-5/8 (498)	14 (356)	8 (203)	2-3/4 (70)	3/8 (10)	3/16 (5)	12-3/4 (324)	38-1/2 (978)	14 (356)
6" 1922A/ 6" 1922B	6	8	17	5	12 (305)	14 (356)	14-3/4 (375)	5 (127)	1 (25)	7/8 (22)	11 (279)	28-1/4 (718)	6 (152)	7 (178)	1-3/4 (44)	4 (102)	17-1/2 (445)	16 (406)	9 (229)	2-7/8 (73)	3/8 (10)	3/16 (5)	15 (381)	38 (965)	16-1/2 (419)
6" 1923/ 6" 1923B	6	8	16/ 16B	5	12 (305)	14 (356)	16-1/2 (419)	5 (127)	1 (25)	7/8 (22)	10-1/2 (267)	33-1/2 (851)	6 (152)	8-1/4 (210)	1-3/4 (44)	4 (102)	23-5/8 (600)	19 (483)	7-3/4 (197)	2-7/8 (73)	3/8 (10)	3/16 (5)	15 (381)	37-7/8 (962)	17 (432)

**NOTES**

- All dimensions are in inches (mm).
- Dimensions may vary  $\pm 3/8"$  (10).
- Not for construction purposes unless certified.
- Suction & discharge flanges – American Standard flat face.
- \*5" 1924 and 6" 1924 standard 150# suction flanges & 300# discharge flanges.
- †5" 1924 and 6" 1924 opt. 300# flanges.

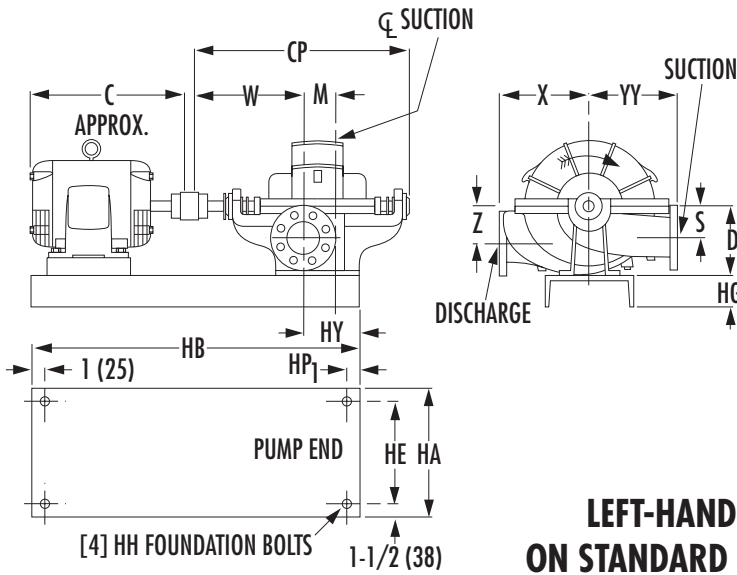




BASE	SIZE	HA	HB	HE	HG	HH	HP
4	12x34	12 (305)	34 (863)	9 (228)	3 (76)	1/2 (13)	20 (508)
5	12x38	12 (305)	38 (964)	9 (228)	3 (76)	1/2 (13)	20 (508)
7	13x42	13 (330)	42 (1066)	10 (254)	4 (102)	5/8 (16)	24 (609)
9	15x44	15 (381)	44 (1117)	12 (305)	3-3/8 (86)	5/8 (16)	24 (609)
11	18x48	18 (457)	48 (1218)	15 (381)	4 (102)	5/8 (16)	1 (25)
12	18x54	18 (457)	54 (1371)	15 (381)	4 (102)	5/8 (16)	1 (25)
13	18x60	18 (457)	60 (1523)	15 (381)	4 (102)	5/8 (16)	24 (609)
15	22x60	22 (558)	60 (1523)	19 (482)	4 (102)	5/8 (16)	1 (25)
16	22x72	22 (558)	72 (1827)	19 (482)	4 (102)	5/8 (16)	1 (25)
17	22x84	22 (558)	84 (2134)	19 (482)	4 (102)	5/8 (16)	1 (25)

Model	PUMP SIZE			POWER SERIES	D	M	S	W	Z	CP	HY	X	YY	C FRAME	145T	182T	184T	213T	215T	254T	256T	284T	286T	286TS	324TS	324T	326TS	326T	364TS	364T	365TS	404TS	404T	405TS	405T	444TS	444T	447TS	449TS				
	DISCH.	SUCTION	CASE BORE												125# SUCTION FLANGE, 250# DISCHARGE FLANGE	150# SUCTION FLANGE, 300# DISCHARGE FLANGE	12	13	14	16	18	21	23	24	24	25	25	26	26	28	28	29	29	30	30	33	33	34	34	34	34	36	36
2" 1923A/ 2" 1923B	2	2-1/2	12	2	9 (228)	4-3/4 (121)	4 (102)	15-3/4 (400)	5-1/2 (140)	26-1/4 (666)	3-3/4 (95)	10 (254)	10-1/4 (260)	BASE	4	4	4	5	5	9	9	9	9	9	11	11	11	11	11	11	11	11	11	11									
2-1/2" 1922A	2-1/2	3	12	2	9-3/4 (248)	5-3/8 (136)	4 (102)	15-7/8 (403)	5-1/2 (140)	26-1/4 (666)	3-5/8 (92)	11 (279)	11 (279)	BASE	4	4	4	5	5	9	9	9	9	9	11	11	11	11	11	11	11	11	11	11	11								
3" 1923A/ 3" 1923B	3	4	14	3	11 (279)	6-3/4 (171)	4-1/2 (114)	18-3/4 (476)	6 (152)	31 (787)	4-1/4 (108)	12 (305)	12-3/8 (314)	BASE	5	5	7	7	9	11	11	11	11	11	11	12	12	12	12	12	12	12	15	15	15	15							
4" 1922	4	5	15	3	11 (279)	7-1/8 (181)	5 (130)	18-7/8 (479)	6-1/2 (165)	31 (787)	4-1/8 (105)	13 (330)	13-1/2 (343)	BASE					9	11	11	11	11	11	11	12	12	12	12	12	12	15	15	15	15								
5" 1924	5	5	12	4A	14 (356)	6-5/8 (168)	7 (178)	20-7/8 (530)	7 (178)	35-3/8 (899)	11-1/8 (283)	13 (330)	13 (330)	BASE																			16	16	16	16	17	17					
5" 1922	5	6	15	4	12-1/2 (317)	9-1/8 (232)	5-1/2 (140)	21-1/8 (536)	7-1/2 (190)	34-1/2 (876)	4-7/8 (124)	15 (381)	15-7/16 (392)	BASE					11	12	12	12	12	12	12	12	12	12	12	12	13	15	15	15	16	16							
6" 1924	6	6	12	5A	15 (381)	7-1/2 (191)	8 (203)	22-7/8 (581)	8 (203)	38-1/2 (978)	10-7/8 (276)	14 (356)	14 (356)	BASE																			16	16	16	16	17	17					
6" 1922A/ 6" 1922B	6	8	17	5	14-3/4 (374)	11 (279)	7 (178)	24-1/2 (622)	9 (228)	38 (964)	3-1/2 (89)	16 (406)	16-1/2 (419)	BASE					12	12	12	12	12	12	12	12	13	13	13	13	15	15	15	16	16	16	16	16	16				
6" 1923/ 6" 1923B	6	8	16/ 16B	5	16-1/2 (419)	10-1/2 (267)	8-1/4 (210)	23-5/8 (600)	7-3/4 (197)	37-7/8 (962)	5 (127)	19 (483)	17 (432)	BASE																		13	13	16	16	16	16	16	16	16	17		

- NOTES
- All dimensions are in inches.
  - Dimensions may vary ±3/8".
  - Not for construction purposes unless certified.
  - Coupling gap may vary 1/8" through 1".
  - Conduit box is shown in approximate location. Dimensions are not specified as they vary with each motor manufacturer.
  - Suction and discharge flanges are ANSI standard flat face.



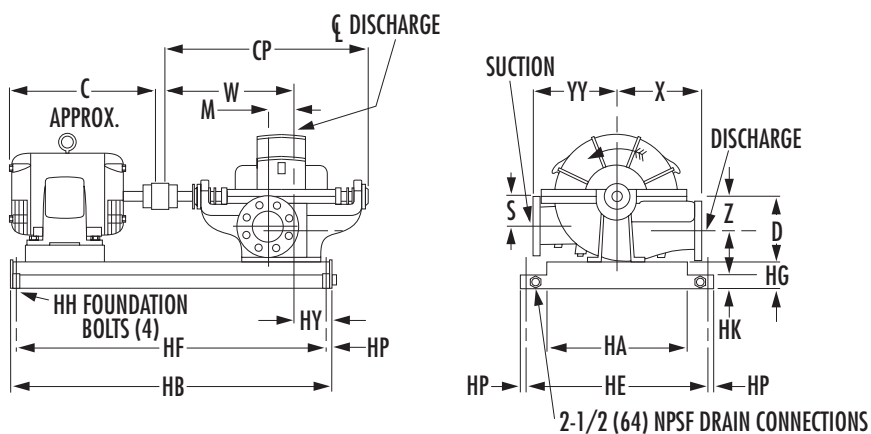
**LEFT-HAND PUMP  
ON STANDARD STEEL BASE**

BASE	SIZE	HA	HB	HE	HG	HH	HP
4	12x34	12 (305)	34 (863)	9 (228)	3 (76)	1/2 (13)	20 (508)
5	12x38	12 (305)	38 (964)	9 (228)	3 (76)	1/2 (13)	20 (508)
7	13x42	13 (330)	42 (1066)	10 (254)	4 (102)	5/8 (16)	24 (609)
9	15x44	15 (381)	44 (1117)	12 (305)	3-3/8 (86)	5/8 (16)	24 (609)
11	18x48	18 (457)	48 (1218)	15 (381)	4 (102)	5/8 (16)	25 (625)
12	18x54	18 (457)	54 (1371)	15 (381)	4 (102)	5/8 (16)	25 (625)
13	18x60	18 (457)	60 (1523)	15 (381)	4 (102)	5/8 (16)	24 (609)
15	22x60	22 (558)	60 (1523)	19 (482)	4 (102)	5/8 (16)	25 (625)
16	22x72	22 (558)	72 (1827)	19 (482)	4 (102)	5/8 (16)	25 (625)
17	22x84	22 (558)	84 (2134)	19 (482)	4 (102)	5/8 (16)	25 (625)

Model	PUMP SIZE			POWER SERIES	D	M	S	W	Z	CP	HY	X	YY	C FRAME	SIZES																																								
	DISCH.	SUCTION	CASE BORE												STANDARD 125# SUCTION FLANGE, 250# DISCHARGE FLANGE		OPTIONAL 250# SUCTION AND DISCHARGE FLANGES		STANDARD 5" 1924 & 6" 1924 150# SUCTION FLANGE, 300# DISCHARGE FLANGE		OPTIONAL 5" 1924 & 6" 1924 300# SUCTION AND DISCHARGE FLANGES		145T	182T	184T	213T	215T	254T	256T	284T	286T	286TS	286TS	324TS	324TS	326TS	326TS	364T	364TS	365TS	365TS	404TS	404T	405TS	405TS	444TS	444TS	447TS	447TS						
	DISCH.	SUCTION	CASE BORE												125#	250#	250#	250#	150#	300#	300#	300#	300#	300#	300#	300#	300#	300#	300#	300#	300#	300#	300#	300#	300#	300#	300#	300#	300#	300#	300#	300#	300#	300#	300#	300#	300#	300#	300#						
2" 1923A/ 2" 1923B	2	2-1/2	12	2	9 (228)	4-3/4 (121)	4 (102)	13-1/4 (337)	5-1/2 (140)	26-1/4 (666)	6-1/4 (159)	10 (254)	10-1/4 (260)	BASE	4	4	4	4	5	5	9	9	9	9	9	9	11	11	11	11	11	11	11	11	11	11	11	11	11	11	11	11	11	11											
2-1/2" 1922A	2-1/2	3	12	2	9-3/4 (248)	5-3/8 (136)	4 (102)	13-1/8 (333)	5-1/2 (140)	26-1/4 (666)	6-3/8 (162)	11 (279)	11 (279)	BASE	4	4	4	5	5	9	9	9	9	9	9	11	11	11	11	11	11	11	11	11	11	11	11	11	11	11	11	11	11	11	11	11	11								
3" 1923A/ 3" 1923B	3	4	14	3	11 (279)	6-3/4 (171)	4-1/2 (114)	15-1/4 (387)	6 (152)	31 (787)	7-3/4 (197)	12 (305)	12-3/8 (314)	BASE	5	5	7	7	9	9	11	11	11	11	11	11	11	11	11	11	11	11	11	11	11	11	11	11	11	11	11	11	11	11	11	11	11	11							
4" 1922	4	5	15	3	11 (279)	7-1/8 (181)	5 (130)	15-1/8 (384)	6-1/2 (165)	31 (787)	7-7/8 (257)	13 (330)	13-1/2 (343)	BASE						9	11	11	11	11	11	11	11	11	11	11	11	11	11	11	11	11	11	11	11	11	11	11	11	11	11	11	11	11	11						
5" 1924	5	5	12	4A	14 (356)	6-5/8 (168)	7 (178)	18-1/8 (460)	7 (178)	35-3/8 (899)	13-7/8 (352)	13 (330)	13 (330)	BASE																																									
5" 1922	5	6	15	4	12-1/2 (317)	9-1/8 (232)	5-1/2 (140)	16-7/8 (536)	7-1/2 (190)	34-1/2 (876)	9-1/8 (232)	15 (381)	15-7/16 (392)	BASE																																									
6" 1924	6	6	12	5A	15 (381)	7-1/2 (191)	8 (203)	19-5/8 (498)	8 (203)	38-1/2 (978)	14-1/8 (359)	14 (356)	14 (356)	BASE																																									
6" 1922A/ 6" 1922B	6	8	17	5	14-3/4 (374)	11 (279)	7 (178)	17-1/2 (445)	9 (228)	38 (964)	10-1/2 (267)	16 (406)	16-1/2 (419)	BASE																																									
6" 1923/ 6" 1923B	6	8	16/16B	5	16-1/2 (419)	10-1/2 (267)	8-1/4 (210)	18-3/8 (467)	7-3/4 (197)	37-7/8 (962)	10-1/4 (260)	19 (483)	17 (432)	BASE																																									

NOTES

- 1. All dimensions are in inches.
- 2. Dimensions may vary ±3/8".
- 3. Not for construction purposes unless certified.
- 4. Coupling gap may vary 1/8" through 1".
- 5. Conduit box is shown in approximate location. Dimensions are not specified as they vary with each motor manufacturer.
- 6. Suction and discharge flanges are ANSI standard flat face.

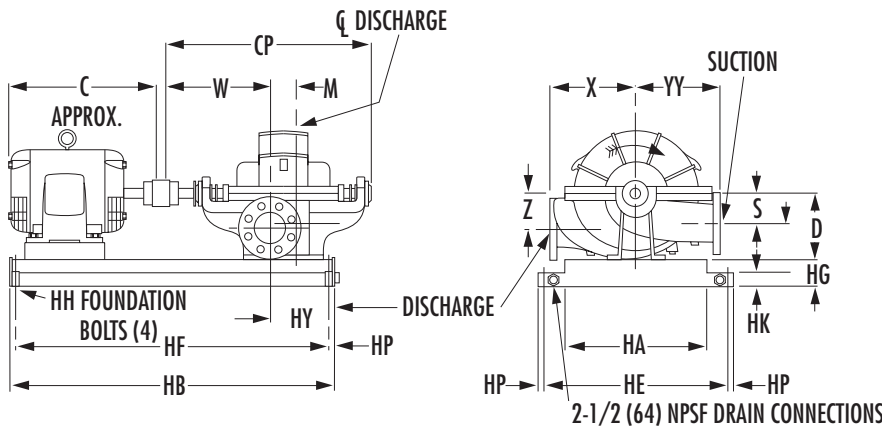


### RIGHT-HAND PUMP ON STEEL DRIP RIM BASE

BASE	SIZE	HA	HB	HE	HF	HG	HH	HK	HP
3	9x33	9	33-1/2	13-3/4	32-1/4	3	3/8	1-1/2	5/8
		11x36	(851)	(349)	(826)	(76)	(10)	(38)	(16)
5	11x36	11	36-1/2	15-7/8	35-1/8	3	1/2	1-1/2	11/16
		14x42	(927)	(403)	(892)	(76)	(13)	(38)	(17)
6	11x42	11	42-1/2	15-7/8	41-1/8	3	1/2	1-1/2	11/16
		14x56	(1080)	(403)	(1045)	(76)	(13)	(38)	(17)
8	14x42	14	42-1/2	19	41	3	5/8	1-1/2	3/4
		18x54	(1080)	(483)	(1041)	(76)	(16)	(38)	(19)
9	14x48	14	48-1/2	19	47	3	5/8	1-1/2	3/4
		22x54	(1232)	(483)	(1194)	(76)	(16)	(38)	(19)
10	14x56	14	56-1/2	19	55	3	5/8	1-1/2	3/4
		22x74	(1435)	(483)	(1397)	(76)	(16)	(38)	(19)
11	18x46	18	46-1/2	25-1/8	44-7/8	4	3/4	2	13/16
		(457)	(1181)	(638)	(1140)	(102)	(19)	(51)	(21)
12	18x54	18	54-1/2	25-1/8	52-7/8	4	3/4	2	13/16
		(457)	(1384)	(638)	(1343)	(102)	(19)	(51)	(21)
13	18x64	18	64-1/2	25-1/8	62-7/8	4	3/4	2	13/16
		(457)	(1638)	(638)	(1597)	(102)	(19)	(51)	(21)
15	22x54	22	54-1/2	29-1/8	52-7/8	4-1/2	3/4	2	13/16
		(559)	(1384)	(740)	(1343)	(114)	(19)	(51)	(21)
16	22x64	22	64-1/2	29-1/8	62-7/8	4-1/2	3/4	2	13/16
		(559)	(1638)	(740)	(1597)	(114)	(19)	(51)	(21)
17	22x74	22	74-1/2	29-1/8	72-7/8	4-1/2	3/4	2	13/16
		(559)	(1892)	(740)	(1851)	(114)	(19)	(51)	(21)
18	22x82	22	82-1/2	29-1/8	80-7/8	4-1/2	3/4	2	13/16
		(559)	(2273)	(740)	(2054)	(114)	(19)	(51)	(21)

Model	PUMP SIZE			POWER SERIES	STANDARD 5" 1924 & 6" 1924								C FRAME		DISCHARGE FLANGES																									
	DISCH.	SUCTION	CASE BORE		D	M	S	W	Z	CP	HY	X	YY	145T	182T	184T	213T	254T	256T	284T	284T	286T	324T	326T	326T	326T	364T	365T	365T	404T	404T	405T	405T	444T	444T	445T	445T	447T	447T	
2" 1923A/ 2" 1923B	2	2-1/2	12	2	9 (228)	4-3/4 (121)	4 (102)	15-3/4 (400)	5-1/2 (140)	26-1/4 (666)	4-1/4 (108)	10 (254)	10-1/4 (260)	BASE	13 (330)	13 (330)	14 (355)	16 (406)	18 (457)	21 (533)	23 (584)	22 (558)	24 (609)	25 (609)	25 (635)	26 (660)	26 (660)	28 (711)	27 (685)	29 (736)	28 (711)	30 (761)	30 (838)	31 (787)	34 (863)	38 (965)	36 (914)	40 (1016)	39 (991)	45 (1143)
2-1/2" 1922A	2-1/2	3	12	2	9-3/4 (248)	5-3/8 (136)	4 (102)	15-7/8 (403)	5-1/2 (140)	26-1/4 (666)	4-1/8 (105)	11 (279)	BASE	13 (330)	14 (355)	16 (406)	18 (457)	21 (533)	23 (584)	22 (558)	24 (609)	25 (609)	25 (635)	26 (660)	26 (660)	28 (711)	27 (685)	29 (736)	28 (711)	30 (761)	30 (838)	31 (787)	34 (863)	38 (965)	36 (914)	40 (1016)	39 (991)	45 (1143)		
3" 1923A/ 3" 1923B	3	4	14	3	10-3/4 (273)	6-3/4 (171)	4-1/2 (114)	18-3/4 (476)	6 (152)	31 (787)	4-3/4 (121)	12 (305)	12-3/8 (314)	BASE	13 (330)	14 (355)	16 (406)	18 (457)	21 (533)	23 (584)	22 (558)	24 (609)	25 (609)	25 (635)	26 (660)	26 (660)	28 (711)	27 (685)	29 (736)	28 (711)	30 (761)	30 (838)	31 (787)	34 (863)	38 (965)	36 (914)	40 (1016)	39 (991)	45 (1143)	
4" 1922	4	5	15	3	11 (279)	7-1/8 (181)	5 (130)	18-7/8 (479)	6-1/2 (165)	31 (787)	4-5/8 (117)	13 (330)	13-1/2 (343)	BASE	13 (330)	14 (355)	16 (406)	18 (457)	21 (533)	23 (584)	22 (558)	24 (609)	25 (609)	25 (635)	26 (660)	26 (660)	28 (711)	27 (685)	29 (736)	28 (711)	30 (761)	30 (838)	31 (787)	34 (863)	38 (965)	36 (914)	40 (1016)	39 (991)	45 (1143)	
5" 1924	5	5	12	4A	14 (356)	6-5/8 (168)	7 (178)	20-7/8 (530)	7 (178)	35-3/8 (899)	11-1/8 (283)	13 (330)	13 (330)	BASE	13 (330)	14 (355)	16 (406)	18 (457)	21 (533)	23 (584)	22 (558)	24 (609)	25 (609)	25 (635)	26 (660)	26 (660)	28 (711)	27 (685)	29 (736)	28 (711)	30 (761)	30 (838)	31 (787)	34 (863)	38 (965)	36 (914)	40 (1016)	39 (991)	45 (1143)	
5" 1922	5	6	15	4	12-1/2 (317)	9-1/8 (232)	5-1/2 (140)	21-1/8 (536)	7-1/2 (190)	34-1/2 (876)	5-3/8 (137)	15 (381)	15-7/16 (392)	BASE	13 (330)	14 (355)	16 (406)	18 (457)	21 (533)	23 (584)	22 (558)	24 (609)	25 (609)	25 (635)	26 (660)	26 (660)	28 (711)	27 (685)	29 (736)	28 (711)	30 (761)	30 (838)	31 (787)	34 (863)	38 (965)	36 (914)	40 (1016)	39 (991)	45 (1143)	
6" 1924	6	6	12	5A	15 (381)	7-1/2 (191)	8 (203)	22-7/8 (581)	8 (203)	38-1/2 (978)	10-7/8 (276)	14 (356)	14 (356)	BASE	13 (330)	14 (355)	16 (406)	18 (457)	21 (533)	23 (584)	22 (558)	24 (609)	25 (609)	25 (635)	26 (660)	26 (660)	28 (711)	27 (685)	29 (736)	28 (711)	30 (761)	30 (838)	31 (787)	34 (863)	38 (965)	36 (914)	40 (1016)	39 (991)	45 (1143)	
6" 1922A/ 6" 1922B	6	8	17	5	14-3/4 (374)	11 (279)	7 (178)	24-1/2 (622)	9 (228)	38 (964)	4 (102)	16 (406)	16-1/2 (419)	BASE	13 (330)	14 (355)	16 (406)	18 (457)	21 (533)	23 (584)	22 (558)	24 (609)	25 (609)	25 (635)	26 (660)	26 (660)	28 (711)	27 (685)	29 (736)	28 (711)	30 (761)	30 (838)	31 (787)	34 (863)	38 (965)	36 (914)	40 (1016)	39 (991)	45 (1143)	
6" 1923/ 6" 1923B	6	8	16/ 16B	5	16-1/2 (419)	10-1/2 (267)	8-1/4 (210)	23-5/8 (600)	7-3/4 (197)	37-7/8 (962)	5 (127)	19 (483)	17 (432)	BASE	13 (330)	14 (355)	16 (406)	18 (457)	21 (533)	23 (584)	22 (558)	24 (609)	25 (609)	25 (635)	26 (660)	26 (660)	28 (711)	27 (685)	29 (736)	28 (711)	30 (761)	30 (838)	31 (787)	34 (863)	38 (965)	36 (914)	40 (1016)	39 (991)	45 (1143)	

- NOTES
- All dimensions are in inches.
  - Dimensions may vary  $\pm 3/8"$ .
  - Not for construction purposes unless certified.
  - Coupling gap may vary  $1/8"$  through  $1"$ .
  - Conduit box is shown in approximate location. Dimensions are not specified as they vary with each motor manufacturer.
  - Suction and discharge flanges are ANSI standard flat face.



**LEFT-HAND PUMP  
ON STEEL DRIP RIM BASE**

BASE	SIZE	HA	HB	HE	HF	HG	HH	HK	HP
3	9x33	9 (229)	33-1/2 (851)	13-3/4 (349)	32-1/4 (826)	3 (76)	3/8 (10)	1-1/2 (38)	5/8 (16)
5	11x36	11 (279)	36-1/2 (927)	15-7/8 (403)	35-1/8 (892)	3 (76)	1/2 (13)	1-1/2 (38)	11/16 (17)
6	11x42	11 (279)	42-1/2 (1080)	15-7/8 (403)	41-1/8 (1045)	3 (76)	1/2 (13)	1-1/2 (38)	11/16 (17)
8	14x42	14 (356)	42-1/2 (1080)	19 (483)	41 (1041)	3 (76)	5/8 (16)	1-1/2 (38)	3/4 (19)
9	14x48	14 (356)	48-1/2 (1232)	19 (483)	47 (1194)	4 (76)	5/8 (16)	1-1/2 (38)	3/4 (19)
10	14x56	14 (356)	56-1/2 (1435)	19 (483)	55 (1397)	3 (76)	5/8 (16)	1-1/2 (38)	3/4 (19)
11	18x46	18 (457)	46-1/2 (1181)	25-1/8 (638)	44-7/8 (1140)	4 (102)	3/4 (19)	2 (51)	13/16 (21)
12	18x54	18 (457)	54-1/2 (1384)	25-1/8 (638)	52-7/8 (1343)	4 (102)	3/4 (19)	2 (51)	13/16 (21)
13	18x64	18 (457)	64-1/2 (1638)	25-1/8 (638)	62-7/8 (1597)	4 (102)	3/4 (19)	2 (51)	13/16 (21)
15	22x54	22 (559)	54-1/2 (1384)	29-1/8 (740)	52-7/8 (1343)	4-1/2 (114)	3/4 (19)	2 (51)	13/16 (21)
16	22x64	22 (559)	64-1/2 (1638)	29-1/8 (740)	62-7/8 (1597)	4-1/2 (114)	3/4 (19)	2 (51)	13/16 (21)
17	22x74	22 (559)	74-1/2 (1892)	29-1/8 (740)	72-7/8 (1851)	4-1/2 (114)	3/4 (19)	2 (51)	13/16 (21)
18	22x82	22 (559)	82-1/2 (2273)	29-1/8 (740)	80-7/8 (2054)	4-1/2 (114)	3/4 (19)	2 (51)	13/16 (21)

Model	PUMP SIZE			POWER SERIES	D	M	S	W	Z	CP	HY	X	YY	C FRAME	145T	182T	184T	213T	215T	254T	256T	284TS	286TS	286TS	324TS	324T	326TS	326T	364TS	364T	365TS	365T	404TS	404T	405TS	405T	444TS	444T	445TS	445T	447TS	447T	449TS										
	DISCH.	SUCTION	CASE BORE												125# SUCTION FLANGE, 250# DISCHARGE FLANGE	250# SUCTION AND DISCHARGE FLANGES	STANDARD 5" 1924 & 6" 1924 150# SUCTION FLANGE, 300# DISCHARGE FLANGE	OPTIONAL 5" 1924 & 6" 1924 300# SUCTION AND DISCHARGE FLANGES	(330)	(330)	(355)	(406)	(457)	(533)	(584)	(558)	(609)	(609)	(635)	(635)	(660)	(660)	(711)	(685)	(736)	(711)	(761)	(838)	(787)	(863)	(863)	(965)	(914)	(1016)	(991)	(1143)							
2" 1923A/ 2" 1923B	2	2-1/2	12	2	9 (228)	4-3/4 (121)	4 (102)	13-1/4 (337)	5-1/2 (140)	26-1/4 (666)	6-3/4 (171)	10 (254)	10-1/4 (260)	BASE	3	3	5	6	8	8	8	9	9	9	11	11	11	11	12	12																							
2-1/2" 1922A	2-1/2	3	12	2	9-3/4 (248)	5-3/8 (136)	4 (102)	13-1/8 (333)	5-1/2 (140)	26-1/4 (666)	6-7/8 (175)	11 (279)	11 (279)	BASE	3	3	5	6	8	8	8	9	9	9	11	11	11	11	12	12																							
3" 1923A/ 3" 1923B	3	4	14	3	10-3/4 (273)	6-3/4 (171)	4-1/2 (114)	15-1/4 (387)	6 (152)	31 (787)	8-1/4 (210)	12 (305)	12-3/8 (314)	BASE				6	9	9	9	9	9	9	12	12	12	12	12	12	15	16	15																				
4" 1922	4	5	15	3	11 (279)	7-1/8 (181)	5 (130)	15-1/8 (460)	6-1/2 (165)	31 (787)	8-3/8 (213)	13 (330)	13-1/2 (343)	BASE											9	12	12	12	12	12	15	16	15	16	16	16	16	16	16	16	16												
5" 1924	5	5	12	4A	14 (356)	6-5/8 (168)	7 (178)	18-1/8 (460)	7 (178)	35-3/8 (899)	13-7/8 (352)	13 (330)	13 (330)	BASE																	17	17	17	17	17	17	17	17	18	18													
5" 1922	5	6	15	4	12-1/2 (317)	9-1/8 (232)	5-1/2 (140)	16-7/8 (429)	7-1/2 (190)	34-1/2 (876)	9-5/8 (244)	15 (381)	15-7/16 (392)	BASE												12	12	12	12	13	16	16	16	16	16	16	16	16	16	16	16	16											
6" 1924	6	6	12	5A	15 (381)	7-1/2 (191)	8 (203)	19-5/8 (498)	8 (203)	38-1/2 (978)	14-1/8 (359)	14 (356)	14 (356)	BASE																	17	17	17	17	17	17	17	17	18	18													
6" 1922A/ 6" 1922B	6	8	17	5	14-3/4 (374)	11 (279)	7 (178)	17-1/2 (445)	9 (228)	38 (964)	11 (279)	16 (406)	16-1/2 (419)	BASE									10	10	10	10	12	12	13	13	13	13	13	16	16	16	16	16	16	16	16	16	16	17	17								
6" 1923/ 6" 1923B	6	8	16/ 16B	5	16-1/2 (419)	10-1/2 (267)	8-1/4 (210)	18-3/8 (467)	7-3/4 (197)	37-7/8 (962)	10-1/4 (260)	19 (483)	17 (432)	BASE																	16	16	16	16	16	16	16	16	16	16	17	17	17	17	18	18							

- NOTES
- All dimensions are in inches.
  - Dimensions may vary  $\pm 3/8"$ .
  - Not for construction purposes unless certified.
  - Coupling gap may vary 1/8" through 1".
  - Conduit box is shown in approximate location. Dimensions are not specified as they vary with each motor manufacturer.
  - Suction and discharge flanges are ANSI standard flat face.

**THIS PAGE LEFT BLANK INTENTIONALLY**