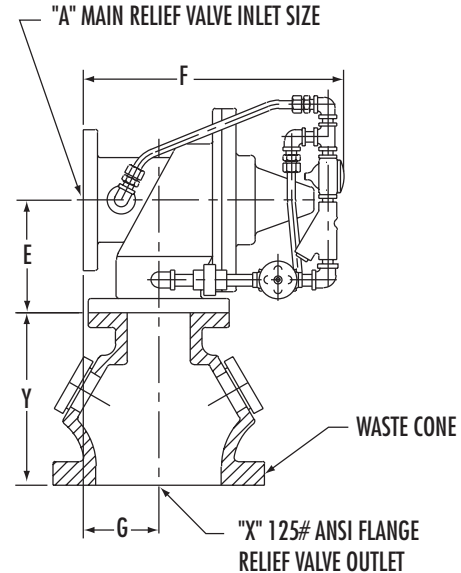
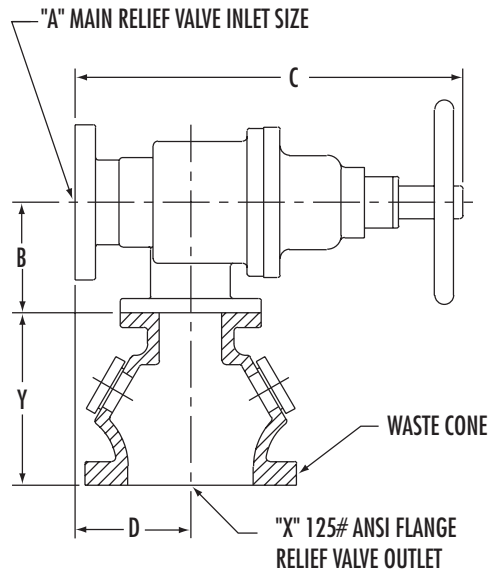


OPTION 79 - MAIN RELIEF VALVE

Date **April 2012**

OPTION 80 - WASTE CONE



Spring-Operated Main Relief Valve

- 125# INLET FLANGE
- 250# INLET FLANGE

Pilot-Operated Main Relief Valve

- 125# INLET FLANGE
- 250# INLET FLANGE

Enclosed Waste Cone

Enclosed Waste Cone

PUMP RATING G.P.M.	A	INLET FLANGE RATING	SPRING-OPERATED MAIN RELIEF VALVE			PILOT OPERATED MAIN RELIEF VALVE			WASTE CONE VALVE			
			B	C	D	E	F	G	X	Y		
250 500	3	125#	5-7/8 (149)	21-1/4 (540)	6-1/8 (155)	6 (152)	14-7/8 (378)	4 (102)	5 (111)	11 (279)		
		250#				6 (152)	15-1/4 (387)	4-3/8				
750	4	125#	6-7/16 (163)	22-5/8 (575)	6-5/8 (168)	7-5/8 (194)	16-15/16 (430)	5-1/16 (129)	6	11 (279)		
1000		250#				7-15/16 (202)	17-1/4 (438)	5-3/8 (137)	8	11-1/2 (292)		
1250 1500	6	125#	8-1/2 (216)	36 (914)	9-3/8 (238)	10 (254)	19-7/8 (505)	6 (152)	8	14 (356)		
2000		250#				10 (254)	20-3/8 (518)	6-1/2 (195)			10	11-1/2 (292)
2500												
3000 3500	8	125#	Not Available			12-3/4 (324)	22-7/8 (581)	8 (203)	12 (216)	12 (305)		
		250#				12-3/4 (324)	22-7/8 (581)	8-1/2				

NOTES:

1. All dimensions are in inches (mm) and may vary  $\pm 1/4$  (6).
2. Valves are available with inlet flange ratings of 125# or 250#. All waste cones have 125# flange ratings.
3. Dimensions for conventional relief valves are not affected by flange rating.

4. Relief valve discharge is intended to be piped to waste. Refer to factory if discharge is to be piped to a line where back pressure is present.
5. Maximum operating pressure for valves rated for 125# is 175 PSI.
6. Maximum operating pressure for valves rated for 250# is 300 PSI.

