

MODEL 933				
PUMP SIZE	D03	E03	F03	G03
RELIEF VALVE SIZE	1/2 (13)	1/2 (13)	1/2 (13)	1/2 (13)

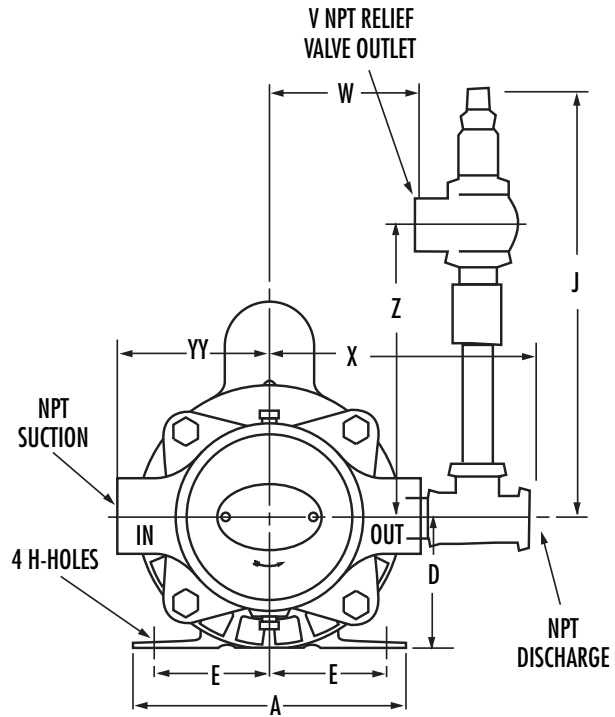
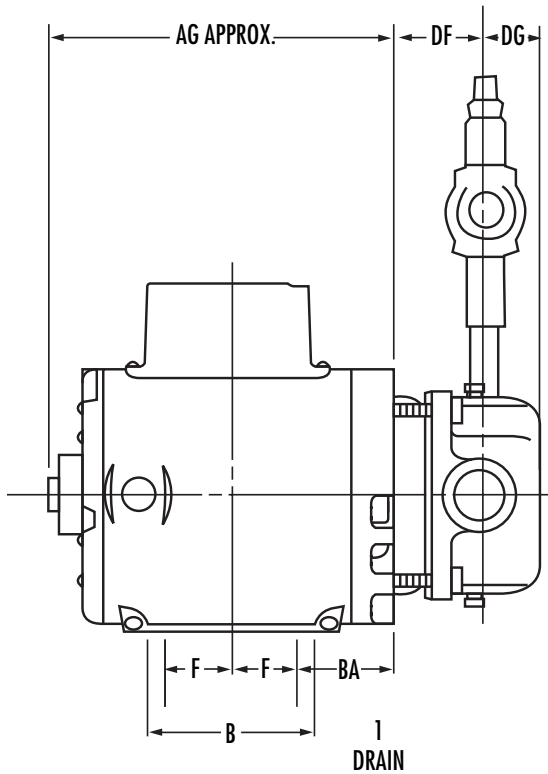
**NOTES**

1. All dimensions are in inches (mm).
2. Dimensions may vary  $\pm 1/4"$  (6).
3. Not for construction purposes unless certified.
4. Capacitor when furnished normally appears on top of motor.  
Dimensions are not specified as they vary with each motor manufacturer.
5. Motor frame 56

Date July 2013

Supersedes Section 932 Page 202

Dated November 2005



MODEL	SUCTION	DISCH.	DF	DG
934	1	1	2 (51)	1-11/16 (43)
935	2	1-1/2	2-1/4 (57)	2-1/4 (57)

HP	RPM	FRAME
1-1/2 to 2	3500	56
1-1/2 to 2	1750	56
3	3500	145T
5	3500	182T
7-1/2	3500	184T
10	3500	213T

MODEL	V	J	YY	W	X	Z
934	1/2 (13)	10-15/16 (278)	3-3/4 (95)	3-3/16 (81)	6-3/8 (162)	7-3/4 (197)
	1-1/4 (32)	12-1/8 (308)		3-1/4 (83)	7-1/8 (181)	7-1/2 (191)
935	1/2 (13)	11-1/4 (286)	4-1/2 (114)	4-5/16 (110)	7-5/8 (194)	8-1/16 (205)
	3/4 (19)	13-3/16 (335)		4-7/16 (113)	7-7/8 (200)	10 (254)
	1-1/4 (32)	12-3/8 (314)		4-7/16 (113)	8-1/2 (216)	7-3/4 (197)

GPM	PSI	RELIEF VALVE SIZE
2.5	45 - 100	1/2
	135 - 215	1/2
5	45 - 130	1/2
	135 - 210	1/2
7.5	45 - 130	1/2
	135 - 210	1/2
10	45 - 130	1/2
	135 - 205	1/2
15	45 - 130	1/2
	135 - 170	1/2
20	70 - 130	1/2
	135 - 155	1/2
25	80 - 130	3/4
	135	3/4
30	105 - 155	3/4
35	105 - 155	3/4
40	105 - 155	1
45	105 - 155	1

FRAME	A	B	D	E	F	H	AG	BA
56	6-3/4 (171)	4 (102)	3-1/2 (89)	2-7/16 (43)	1-1/2 (38)	11/32 SLOT (8)	11 (279)	2-9/16 (65)
145T	7 (178)	6 (152)	3-1/2 (89)	2-3/4 (57)	2-1/2 (64)	11/32 SLOT (8)	11 (279)	2-7/8 (73)
182T	9 (229)	6-1/2 (165)	4-1/4 (108)	3-3/4 (95)	2-1/4 (57)	13/32 (10)	11 (279)	3-5/8 (92)
184T	9 (229)	7-1/2 (191)	4-1/2 (114)	3-3/4 (95)	2-3/4 (70)	13/32 (10)	12 (305)	3-5/8 (92)
213T	9-1/2 (241)	8 (203)	5-1/4 (133)	4-1/4 (108)	2-3/4 (70)	7/16 (11)	14 (356)	4-1/2 (114)

PUMP	MODEL	935						
	SIZE	D04	F05	G05	H05	I05	J05	K05
	934							

NOTES

1. All dimensions are in inches (mm).
2. Dimensions may vary ± 1/4" (6).
3. Not for construction purposes unless certified.
4. Capacitor when furnished normally appears on top of motor. Dimensions are not specified as they vary with each motor manufacturer.

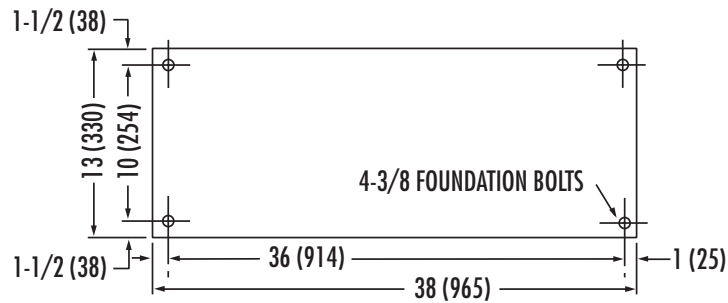
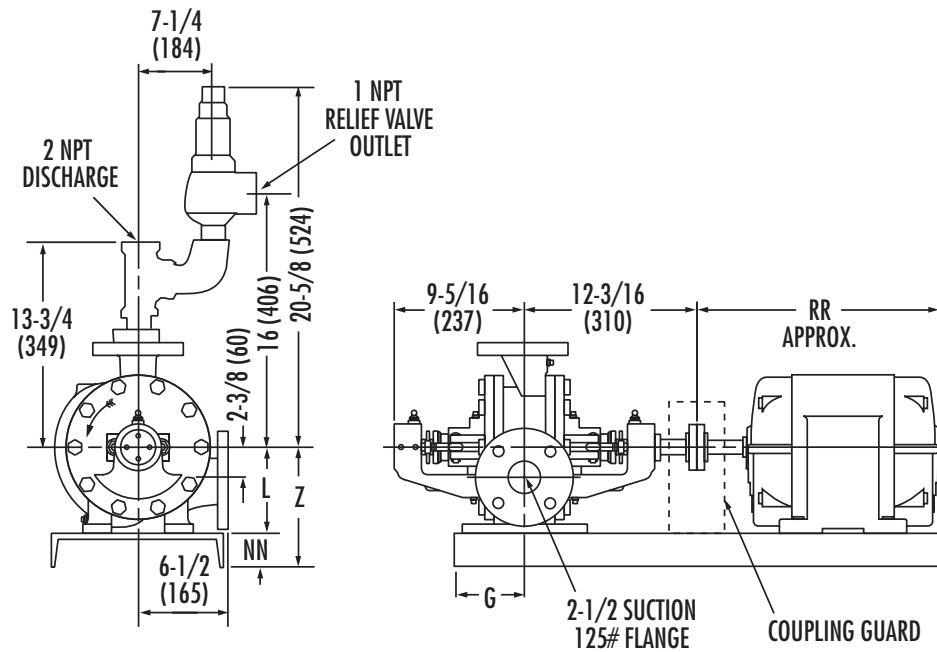
# FAIRBANKS NIJHUIS™ TWO STAGE JOCKEY PUMP

Section **932** Page **251**

Date **March 2014**

Supersedes Section 932 Page 251

Dated July 2013



PUMP MODEL	E6T	F6T
RELIEF VALVE SIZE	1	1

HP	RPM	FRAME	G	L	Z	NN	RR
10	1750	215T	6-1/2 (165)	6-1/4 (159)	10-1/4 (260)	4 (102)	18 (457)
15	1750	254T	5 (127)	6-1/4 (159)	10-1/4 (260)	4 (102)	21 (533)

**NOTES**

1. All dimensions are in inches (mm).
2. Dimensions may vary  $\pm 1/4"$  (6).
3. Not for construction purposes unless certified.
4. Coupling gap may vary  $1/8"$  to  $1"$ .
5. Flange in accordance with 125# American std.
6. Conduit box is located on the opposite side of the motor shown.  
Dimensions are not specified as they vary with each motor manufacturer.

**THIS PAGE LEFT INTENTIONALLY BLANK**

CURVE INFORMATION FOR JOCKEY PUMPS

AVAILABLE ON WEB SITE

WWW.FMPUMP.COM

JOCKEY PUMPS	LOCATION FOR CURVES
933, 934, 935	<ul style="list-style-type: none"> <li>•Products (tab)                             <ul style="list-style-type: none"> <li>•Regenerative Turbine                                     <ul style="list-style-type: none"> <li>•130 Series   <ul style="list-style-type: none"> <li>•133 Performance Curves   <ul style="list-style-type: none"> <li>E03, F03, G03, B04, D04, F05</li> <li>G05, H05, I05, J05, K05</li> </ul> </li> </ul> </li> </ul> </li> </ul> </li> </ul>

CURVE INFORMATION, SELECTION TABLES AND DIMENSION DATA FOR

PVM JOCKEY PUMPS

AVAILABLE ON WEB SITE

WWW.FMPUMP.COM

JOCKEY PUMPS PVM	LOCATION
	<ul style="list-style-type: none"> <li>•Products (tab)                             <ul style="list-style-type: none"> <li>•Multi Stage Vertical Inline Pump- Series PVM</li> <li>• Series PVM</li> </ul> </li> </ul>

**THIS PAGE LEFT INTENTIONALLY BLANK**