

## SINGLE AND MULTISTAGE SPLIT CASE FIRE PUMPS

MODELS: 1800, 1900, 2800, 5800, AND 5900

# DIMENSION DATA GUIDE

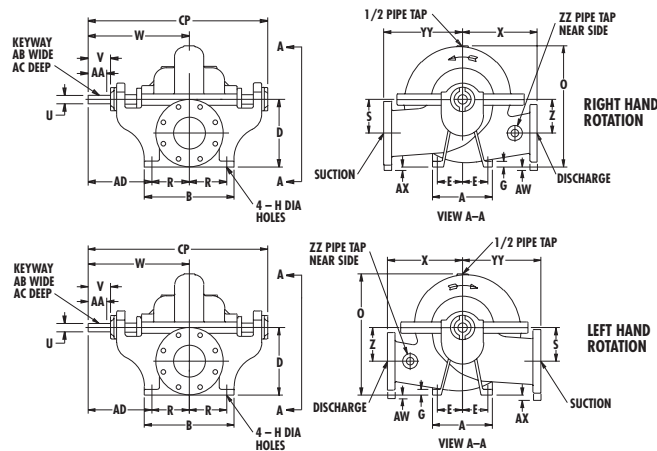
[pentair.com](https://www.pentair.com)

# TABLE OF CONTENTS

---

Model 1800 Single Stage Fire Pumps .....	3
Model 1900 Multi-Stage Fire Pumps .....	5
Model 2800 Single Stage Fire Pumps .....	6
Model 5800 Single Stage Fire Pumps .....	7
Model 5900 Multi-Stage Fire Pumps .....	8
Model 1800 On Standard Steel Base.....	9
Model 1900 On Standard Steel Base .....	10
Model 2800 On Standard Steel Base.....	11
Model 5800 On Standard Steel Base.....	12
Model 5900 On Standard Steel Base.....	13
Model 1800 Pumps On Steel Drip Rim Base.....	14
Model 1900 Pumps On Steel Drip Rim Base.....	15
Model 2800 Pumps On Steel Drip Rim Base .....	16
Model 5800 Pumps On Steel Drip Rim Base .....	17
Model 5900 Pumps On Steel Drip Rim Base .....	18

# MODEL 1800 SINGLE STAGE FIRE PUMPS



PUMP SIZE		CASE																														
DISCH	MODEL	BORE	A	B	D	E	G	H	O	R	S	U	V	W	X	Z	AA	AB	AC	AD	AW	AX	CP	YY	ZZ							
2-1/2	2.5*1823BF	10B	3	2	8	10	8	3-1/2	3/4	5/8	16	4	4	1-1/8	2-7/8	13-1/2	9-3/4	4	2-1/8	1/4	1/8	9-1/2	-	-	24	10						
					(203)	(254)	(203)	(89)	(19)	(16)	(406)	(102)	(102)	(29)	(73)	(343)	(248)	(102)	(54)	(6)	(3)	(241)	-	-	(610)	(254)						
3	3*1824F	10	4	2	8	10	9	3-1/2	3/4	5/8	16-1/4	4	4-1/2	1-1/8	2-7/8	13-1/2	10	4-1/2	2-1/8	1/4	1/8	9-1/2	-	1/2	24	11						
					(203)	(254)	(229)	(89)	(19)	(16)	(413)	(102)	(114)	(29)	(73)	(343)	(254)	(114)	(54)	(6)	(3)	(241)	-	(13)	(610)	(279)						
4	4*1823AF	11	5	3	10	12	10	4-1/4	7/8	3/4	18-3/8	5	5	1-3/8	3	14-1/2	11-1/4	5	2-3/8	3/8	3/16	9-1/2	-	1/2	26	12-3/4						
	-CF				(254)	(305)	(254)	(108)	(22)	(19)	(467)	(127)	(127)	(35)	(76)	(368)	(286)	(127)	(60)	(10)	(5)	(241)	-	(13)	(660)	(324)						
4	4*1823DF	11	5	3	10	12	10	4-1/4	7/8	3/4	18-3/8	5	5	1-3/8	3	14-1/2	12	5	2-3/8	3/8	3/16	9-1/2	---	1/2	26	12-3/4						
	-EF				(254)	(305)	(254)	(108)	(22)	(19)	(467)	(127)	(127)	(35)	(76)	(368)	(305)	(127)	(60)	(10)	(5)	(241)	--	(13)	(660)	(324)						
4	4*1824F	15	5	3	10	12	11	4-1/4	7/8	3/4	21-1/8	5	5-1/2	1-3/8	3	14-1/2	13	5-1/2	2-3/8	3/8	3/16	9-1/2	-	-	26	14						
					(254)	(305)	(279)	(108)	(22)	(19)	(537)	(127)	(140)	(35)	(76)	(368)	(330)	(140)	(60)	(10)	(5)	(241)	-	-	(660)	(356)						
5	5*1822BF	11	6	4	10	12	11	4-1/4	7/8	3/4	19-3/4	5	5-1/2	1-1/2	3-1/2	16	11-1/4	5-1/2	2-7/8	3/8	3/16	11	-	3/4	28-1/2	13-1/4						
	-CF,-DF				(254)	(305)	(279)	(108)	(22)	(19)	(502)	(127)	(140)	(38)	(89)	(406)	(286)	(140)	(73)	(10)	(5)	(279)	-	(19)	(724)	(337)						
5	5*1823F	15	6	4	10	12	12-1/2	4-1/4	7/8	3/4	22-1/2	5	6-1/4	1-1/2	3-1/2	16	13-1/4	6-1/4	2-7/8	3/8	3/16	11	-	-	28-1/2	15	1-1/4					
	-AF,-BF				(254)	(305)	(318)	(108)	(22)	(19)	(572)	(127)	(159)	(38)	(89)	(406)	(337)	(159)	(73)	(10)	(5)	(279)	-	-	(724)	(381)	(32)					
5	5*1824F	17	6	4	10	12	12-1/2	4-1/4	7/8	3/4	22-1/2	5	6-1/4	1-1/2	3-1/2	16	14	6-1/4	2-7/8	3/8	3/16	11	-	-	28-1/2	15						
					(254)	(305)	(318)	(108)	(22)	(19)	(572)	(127)	(159)	(38)	(89)	(406)	(356)	(159)	(73)	(10)	(5)	(279)	-	-	(724)	(381)						
6	6*1822F	11	8	4	10	12	12-1/2	4-1/4	7/8	3/4	21-7/8	5	6-1/4	1-1/2	3-1/2	16	11-3/4	6-1/4	2-7/8	3/8	3/16	11	-	1-1/4	28-1/2	14-1/2						
					(254)	(305)	(318)	(108)	(22)	(19)	(556)	(127)	(159)	(38)	(89)	(406)	(298)	(159)	(73)	(10)	(5)	(279)	-	(32)	(724)	(368)						
6	6*1822HHF	11	8	4A	12	14-1/2	16-1/2	5	1-1/4	7/8	25-3/4	6	8-5/8	1-1/2	3-3/8	18-1/8	10	8-5/8	2-7/8	3/8	3/16	12-1/8	-	-	32-7/8	15						
					(305)	(368)	(419)	(127)	(32)	(22)	(654)	(152)	(219)	(38)	(86)	(460)	(254)	(219)	(73)	(10)	(5)	(308)	-	-	(835)	(381)						
6	6*1823HHF	14	8	5A	12	14-1/2	16-1/2	5	1-1/4	7/8	27	6	7-1/2	1-3/4	4-1/8	20-1/2	15	7-1/2	2-7/8	3/8	3/16	14-1/2	-	-	36-3/4	17						
	-HHBF				(305)	(368)	(419)	(127)	(32)	(22)	(686)	(152)	(191)	(44)	(105)	(519)	(381)	(191)	(73)	(10)	(5)	(368)	-	-	(933)	(432)						
6	6*1823F	15	8	5	12	14	13-1/2	5	1	7/8	24--7/8	6	6-3/4	1-3/4	4	18	14-1/4	6-3/4	2-7/8	3/8	3/16	12	-	3/4	32	16-3/4						
	-BF,-CF,-EF				(305)	(356)	(343)	(127)	(25)	(22)	(632)	(152)	(171)	(44)	(102)	(457)	(362)	(171)	(73)	(10)	(5)	(305)	-	(19)	(813)	(425)						
6	6*1824BF	18	8	5	12	14	14-3/4	5	3/4	7/8	27-1/4	6	8	1-3/4	4	18	16	8	2-7/8	3/8	3/16	12	-	3/4	32	18						
	-CF,-DF				(305)	(356)	(375)	(127)	(19)	(22)	(692)	(152)	(203)	(44)	(102)	(457)	(406)	(203)	(73)	(10)	(5)	(305)	-	(19)	(813)	(457)						
6	6*1825F	20	8	5	12	14	14-3/4	5	1	7/8	27-3/4	6	8	1-3/4	4	18	15-3/4	8	2-7/8	3/8	3/16	12	-	3/4	32	18						
					(305)	(356)	(375)	(127)	(25)	(22)	(705)	(152)	(203)	(44)	(102)	(457)	(400)	(203)	(73)	(10)	(5)	(305)	-	(19)	(813)	(457)						
8	8*1822F	12	10	5	12	14	14-3/4	5	1-1/4	7/8	26-3/8	6	8	1-3/4	4	18	17	9	2-7/8	3/8	3/16	12	1-3/4	2	32	17-3/4						
					(305)	(356)	(375)	(127)	(32)	(22)	(670)	(152)	(203)	(44)	(102)	(457)	(432)	(229)	(73)	(10)	(5)	(305)	(44)	(51)	(813)	(451)						
8	8*1824BF	17	10	5	12	14	14-3/4	5	1-1/4	7/8	27-1/8	6	8	1-3/4	4	18	17	8	2-7/8	3/8	3/16	12	3/4	2	32	17-3/4						
					(305)	(356)	(375)	(127)	(32)	(22)	(689)	(152)	(203)	(44)	(102)	(457)	(432)	(203)	(73)	(10)	(5)	(305)	(19)	(51)	(813)	(451)						
8	8*1825F	21	10	6B	20	17	18-1/2	9	1	15/16	32-1/2	7-1/2	9-1/2	2-1/8	5-7/16	21-7/8	18	9-1/2	4-3/4	1/2	1/4	14-3/8	-	-	38	21						
	-AF				(508)	(432)	(470)	(229)	(25)	(24)	(826)	(191)	(241)	(54)	(138)	(556)	(457)	(241)	(121)	(13)	(6)	(365)	-	-	(965)	(533)	2					
					(381)	(559)	(660)	(165)	(29)	(22)	(1114)	(254)	(381)	(64)	(168)	(641)	(508)	(381)	(127)	(16)	(8)	(387)	-	-	(1114)	(635)	(32)					
8	8*1826F	24	12	7	15	22	26	6-1/2	1-1/8	7/8	43-7/8	10	15	2-1/2	6-5/8	25-1/4	20	15	5	5/8	5/16	15-1/4	-	-	43-7/8	25	1-1/4					
					(381)	(559)	(660)	(165)	(25)	(22)	(1003)	(254)	(343)	(54)	(138)	(556)	(457)	(343)	(121)	(13)	(6)	(301)	-	-	(965)	(559)						
10	10*1823CF	15	12	6B	15	22	25	6-1/2	1	7/8	38-1/2	10	13-1/2	2-1/8	5-7/16	21-7/8	17	13-1/2	4-3/4	1/2	1/4	11-7/8	-	-	38	20	1-1/4					
					(381)	(559)	(635)	(165)	(25)	(22)	(978)	(254)	(343)	(54)	(138)	(556)	(432)	(343)	(121)	(13)	(6)	(301)	-	-	(965)	(508)	(32)					
10	10*1824F	18	12	6B	15	22	25	6-1/2	1	7/8	39-1/2	10	13-1/2	2-1/8	5-7/16	21-7/8	18	13-1/2	4-3/4	1/2	1/4	11-7/8	-	-	38	22						
					(381)	(559)	(635)	(165)	(25)	(22)	(1003)	(254)	(343)	(54)	(138)	(556)	(457)	(343)	(121)	(13)	(6)	(301)	-	-	(965)	(559)						
10	10*1824DF	18D	12	7A	15	22	25	6-1/2	1-1/4	7/8	40-1/2	10	12-1/4	2-1/8	5	24-1/4	20	12-1/4	6-5/8	1/2	1/4	14-1/4	-	-	43	24	2					
					(381)	(559)	(635)	(165)	(32)	(22)	(1029)	(254)	(311)	(54)	(127)	(616)	(508)	(311)	(168)	(13)	(6)	(362)	-	-	(1092)	(610)	(51)					
12	12*1824AF	18	14	7	15	22	24	6-1/2	1	7/8	40-1/8	10	15	2-1/2	6-5/8	25-1/4	18	15	5	5/8	5/16	15-1/4	-	-	43-7/8	23						
					(381)	(559)	(610)	(165)	(25)	(22)	(1019)	(254)	(381)	(64)	(168)	(641)	(457)	(381)	(127)	(16)	(8)	(387)	-	-	(1114)	(584)						

## NOTES

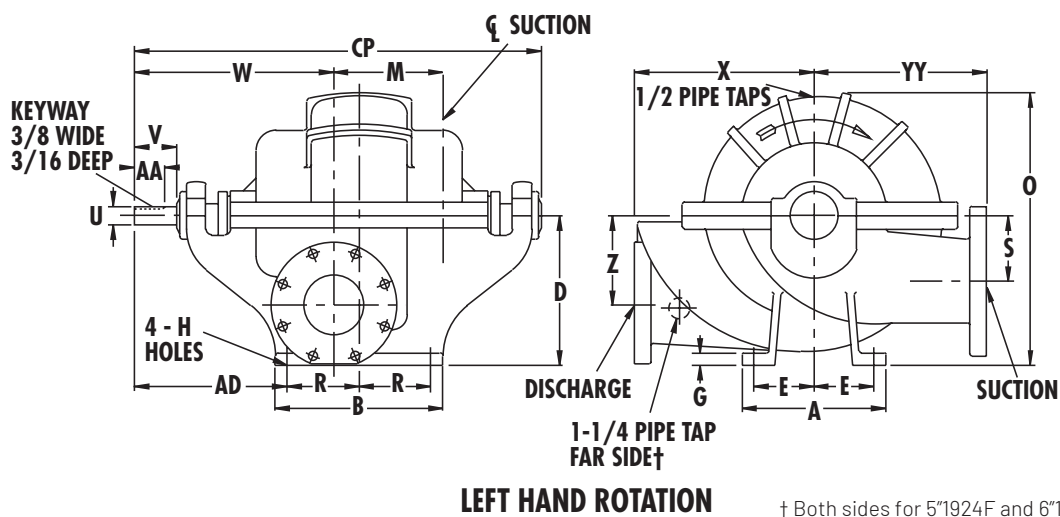
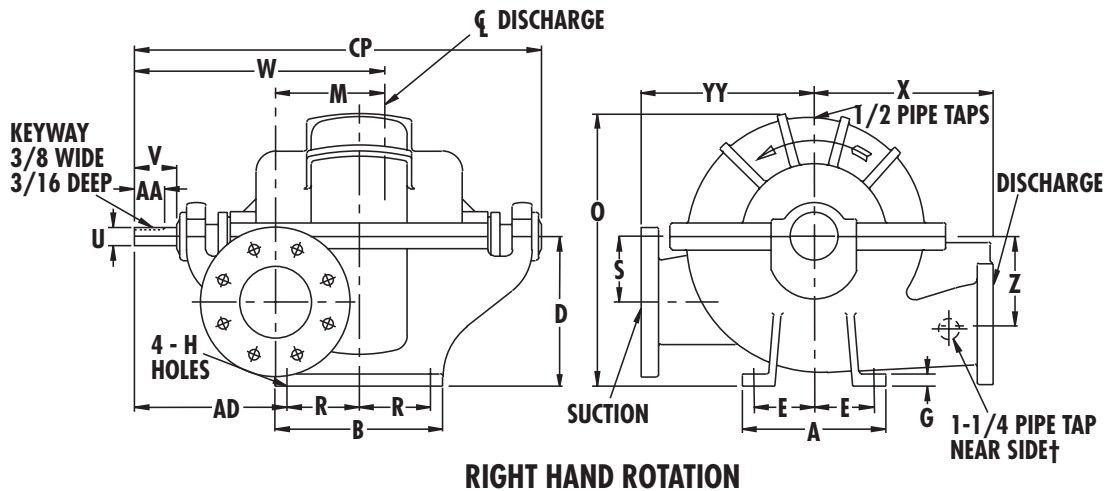
- All dimensions are in inches (mm).
- Dimensions may vary  $\pm 3/8"$  (10).
- Not for construction purposes unless certified.
- Suction & discharge flanges ANSI Standard flat face.

STD. 125# SUCTION AND DIS- CHARGE FLANGES	OPT. 125# SUCTION FLANGE, 250# DISCHARGE FLANGE	OPT. 250# SUCTION AND DIS- CHARGE FLANGES

\* Pump sizes 6" 1822HHF & 6" 1823HHF are furnished as standard with 125# suction flange and 250# discharge flange.



# MODEL 1900 MULTI-STAGE FIRE PUMPS



† Both sides for 5"1924F and 6"1924F

PUMP SIZE		SUCTION BORE	POWER SERIES	A	B	D	E	G	H	M	O	R	S	U	V	RIGHT HAND ROTATION	LEFT HAND ROTATION	X	Z	AA	AD	CP	YY	
DISCH	MODEL															W	W							
4	4"1922F	15	5	3	10 (254)	12 (304)	11 (279)	4-1/4 (108)	7/8 (22)	3/4 (19)	7-1/8 (181)	23 (584)	5 (127)	5 (127)	1-3/8 (35)	3 (76)	18-7/8 (479)	15-1/8 (384)	13 (330)	6-1/2 (165)	2 (51)	12 (304)	31 (787)	13-1/2 (343)
5	5"1924F	12	5	4A	15 (381)	16 (406)	14 (356)	6-1/2 (165)	1 (25)	7/8 (22)	6-5/8 (168)	24-1/4 (616)	7 (179)	7 (179)	1-1/2 (38)	3-5/8 (92)	20-7/8 (530)	18-1/8 (460)	13 (330)	7 (179)	2-1/2 (64)	12-1/2 (318)	35-3/8 (899)	13 (330)
5	5"1922F	15	6	4	12 (304)	14 (356)	12-1/2 (318)	5 (127)	1 (25)	7/8 (22)	9-1/8 (232)	24-1/2 (622)	6 (152)	5-1/2 (140)	1-1/2 (38)	3-1/2 (89)	21-1/8 (537)	16-7/8 (429)	15 (381)	7-1/2 (191)	2 (51)	13 (330)	34-1/2 (876)	15-7/16 (392)
6	6"1924F	12	6	5A	16 (406)	19 (483)	15 (381)	7 (179)	1 (25)	7/8 (22)	7-1/2 (191)	26-1/4 (667)	8-1/2 (216)	8 (203)	1-3/4 (44)	4 (102)	22-7/8 (581)	19-5/8 (498)	14 (356)	8 (203)	2-3/4 (70)	12-3/4 (324)	38-1/2 (978)	14 (356)
6	6"1923F	16	8	5	12 (305)	14 (356)	16.50 (419)	5 (127)	1 (25)	.88 (22)	10.50 (267)	33.50 (851)	6 (152)	8.25 (44)	1.75 (102)	4 (600)	23.63 (467)	18.38 (483)	19 (197)	7.75 (197)	2.88 (73)	15 (381)	37.88 (962)	17 (432)
6	6"1922AF	17	8	5	12 (304)	14 (356)	14-3/4 (375)	5 (127)	1 (25)	7/8 (22)	11 (279)	28-1/4 (718)	6 (152)	7 (179)	1-3/4 (44)	4 (102)	24-1/2 (622)	17-1/2 (445)	16 (406)	9 (229)	2-7/8 (73)	15 (381)	38 (965)	16-1/2 (419)

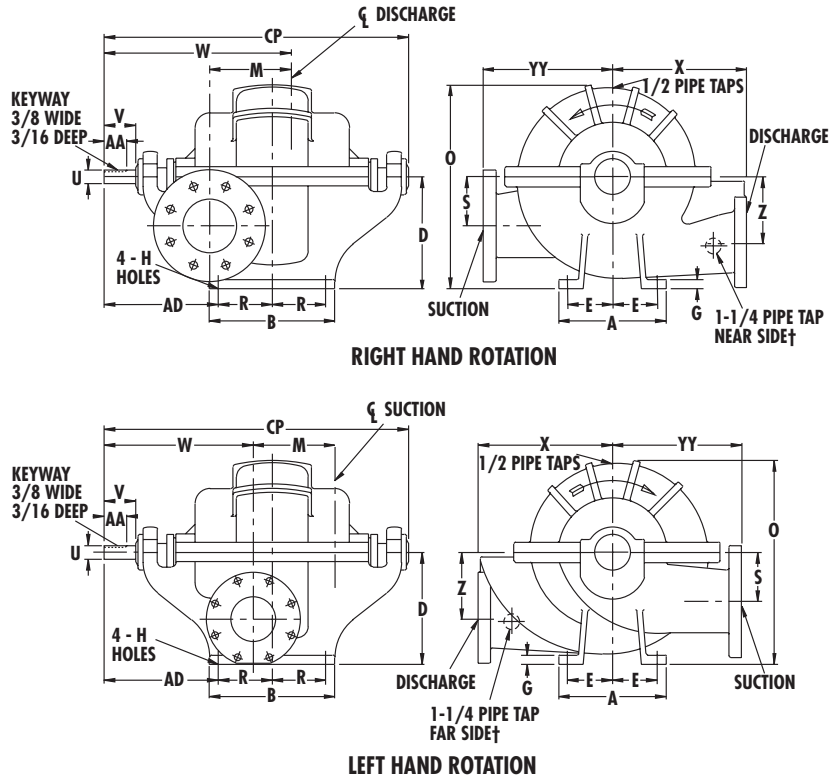
## NOTES

- All dimensions are in inches (mm).
- Dimensions may vary  $\pm 3/8"$  (10).
- Not for construction purposes unless certified.
- Suction & discharge flanges ANSI Standard flat face.

STD. *125# SUCTION FLANGE, *250#	OPT. *250# SUCTION AND DISCHARGE FLANGES
--	---

\* 150# AND 300# OR 300# AND 300# SUCTION AND DISCHARGE DUCTILE IRON FOR 5" 1924F AND 6" 1924F

# MODEL 2800 SINGLE STAGE FIRE PUMPS



PUMP SIZE		CASE BORE	SUCTION	A	B	D	E	G	H	O	R	S	U	V	W	X	Z	AA		AC	AD	AW	AX	CP	YY	ZZ	
DISCH AB	MODEL																										
3	3"	2874AF-CF	9	5	14-1/2 (368)	14-1/2 (368)	12 (304)	6-1/4 (159)	1 (25)	7/8 (22)	18-7/8 (479)	6-1/4 (159)	6-1/8 (156)	1-1/8 (28)	3-5/16 (84)	14-5/8 (371)	11 (279)	6-1/8 (155)	2-1/2 (63)	1/4 (6)	1/8 (3)	8-3/8 (212)	-	-	25-15/16 (658)	12 (304)	
4	4"	2873AF	8	6	11 (279)	11 (279)	9-3/4 (245)	4-5/8 (117)	3/4 (25)	5/8 (16)	16-1/8 (410)	4-5/8 (117)	5-3/4 (146)	1-1/8 (28)	3-1/4 (83)	14-5/8 (371)	10 (254)	5-1/2 (140)	2-1/2 (63)	1/4 (6)	1/8 (3)	10 (254)	3/4 (19)	2-1/4 (57)	25-15/16 (658)	11-1/4 (285)	
4	4"	2876AF-CF	11	6	14-1/2 (368)	14-1/2 (368)	13-3/4 (349)	6-1/4 (159)	1 (25)	7/8 (22)	22 (559)	6-1/4 (159)	6-7/8 (174)	1-1/2 (38)	3-1/2 (88)	16-5/8 (422)	11-1/4 (285)	7-1/8 (180)	2-3/8 (60)	3/8 (9)	3/16 (4)	10-3/8 (263)	-	-	29-11/16 (754)	14 (355)	3/4
4	4"	2823CF	14	6	18 (457)	18 (457)	13-3/4 (349)	8 (203)	1-1/8 (28)	7/8 (22)	23-5/8 (600)	8 (203)	6-7/8 (174)	1-1/2 (38)	3-1/2 (88)	17-5/8 (447)	13 (330)	8-3/8 (212)	2-3/8 (60)	3/8 (9)	3/16 (4)	9-5/8 (244)	-	-	31-11/16 (804)	15-1/4 (387)	
5	5"	2823AF	14	8	18 (457)	18 (457)	16-1/4 (412)	8 (203)	1-1/8 (28)	7/8 (22)	27-1/16 (687)	8 (203)	8-1/4 (209)	1-1/2 (38)	3-1/2 (88)	17-5/8 (447)	13-1/2 (342)	9-3/4 (247)	2-3/8 (60)	3/8 (9)	3/16 (4)	9-5/8 (244)	-	-	31-11/16 (804)	17-1/4 (438)	
5	5"	2824AF	18	8	18 (457)	18 (457)	16-1/4 (412)	8 (203)	1-1/8 (28)	7/8 (22)	28-3/8 (720)	8 (203)	8-1/8 (206)	2-1/8 (53)	4-3/8 (111)	18-7/8 (479)	15 (381)	10-5/8 (268)	3-1/2 (88)	1/2 (12)	1/4 (6)	10-7/8 (276)	-	-	33-3/8 (847)	18-3/4 (476)	
6	6"	2876AF	12	6	14-1/2 (368)	14-1/2 (368)	13-3/4 (349)	6-1/4 (159)	1 (25)	7/8 (22)	22 (559)	6-1/4 (159)	6-7/8 (174)	1-1/2 (38)	3-1/2 (88)	16-5/8 (422)	20-1/2 (520)	7-1/8 (180)	2-3/8 (60)	3/8 (9)	3/16 (4)	10-3/8 (263)	-	-	29-11/16 (754)	14 (355)	
6	6"	2823AF-CF	14	10	18 (457)	18 (457)	18-3/4 (476)	8 (203)	1-1/8 (28)	7/8 (22)	30-1/16 (763)	8 (203)	9-3/8 (238)	2-1/8 (53)	4-3/8 (111)	20-1/8 (511)	13-1/4 (337)	10 (254)	3-1/2 (88)	1/2 (12)	1/4 (6)	12-1/8 (308)	-	-	35-7/8 (911)	18 (457)	
6	6"	2824CF	18	10	22 (558)	22 (558)	18-3/4 (476)	10 (254)	1-1/8 (28)	7/8 (22)	32 (813)	10 (254)	9-3/8 (238)	2-1/8 (53)	4-3/8 (111)	20-1/8 (511)	16 (406)	11-3/4 (295)	3-1/2 (88)	1/2 (12)	1/4 (6)	10-1/8 (263)	-	-	35-7/8 (911)	20 (508)	
6	6"	2825AF	19	10	22 (558)	22 (558)	18-3/4 (476)	10 (254)	1-1/8 (28)	7/8 (22)	33-5/16 (846)	10 (254)	9-3/8 (238)	2-1/2 (63)	6 (152)	22-5/8 (574)	18 (457)	12-1/8 (307)	4 (101)	5/8 (15)	5/16 (7)	12-5/8 (320)	-	-	39-1/4 (996)	22 (558)	1
8	8"	2823AF	14A	12	22 (558)	22 (558)	21-1/2 (546)	10 (254)	1-1/8 (28)	7/8 (22)	33-5/8 (854)	10 (254)	10-3/4 (273)	2-1/8 (53)	4-3/8 (111)	20-1/2 (520)	16 (406)	10-3/4 (273)	3-1/2 (88)	1/2 (12)	1/4 (6)	10-1/2 (266)	-	-	36-5/8 (930)	22 (558)	
8	8"	2824AF	18A	12	22 (558)	22 (558)	21-1/2 (546)	10 (254)	1-1/8 (28)	7/8 (22)	36 (914)	10 (254)	10-3/4 (273)	2-1/2 (63)	6 (152)	23-3/4 (603)	16 (406)	12-1/2 (317)	4 (101)	5/8 (15)	5/16 (7)	13-3/4 (349)	-	-	41-1/2 (1054)	22 (558)	
10	10"	2825AF	20	16	22 (558)	22 (558)	24 (609)	10 (254)	1-1/4 (31)	7/8 (22)	40-3/8 (1025)	10 (254)	13 (330)	2-3/4 (69)	6-1/2 (165)	25-9/16 (649)	23 (584)	14-1/4 (361)	5 (127)	5/8 (15)	5/16 (7)	15-9/16 (395)	-	1-3/4 (44)	44-9/16 (1131)	25 (635)	

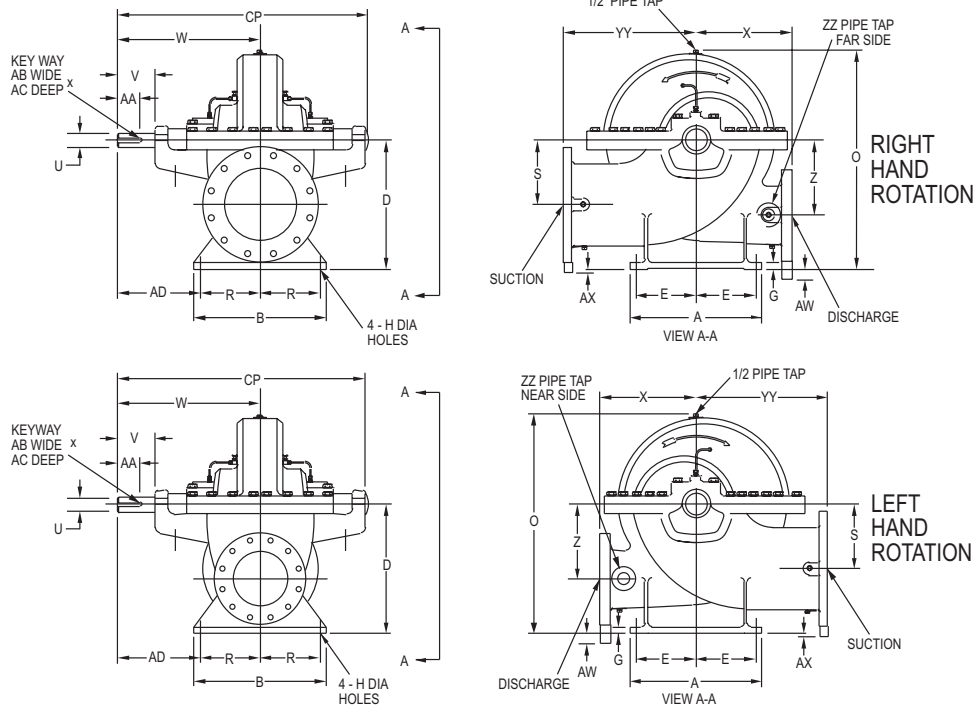
## NOTES

- All dimensions are in inches.
- Dimensions may vary  $\pm 3/8"$ .
- Not for construction purposes unless certified.
- Suction & discharge flanges ANSI Standard flat face.

\*STD. 125# SUCTION FLANGE, 250# DISCHARGE FLANGE FOR 6" 2876AF AND 10" 2825AF

STD. 125# SUCTION AND DISCHARGE FLANGES*	OPT. 125# SUCTION FLANGE, 250# DISCHARGE FLANGE	OPT. 250# SUCTION AND DISCHARGE FLANGES
---	---	--

# MODEL 5800 SINGLE STAGE FIRE PUMPS



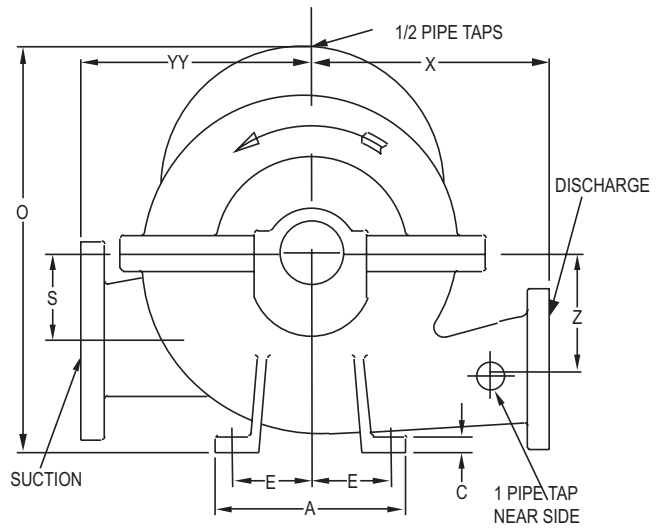
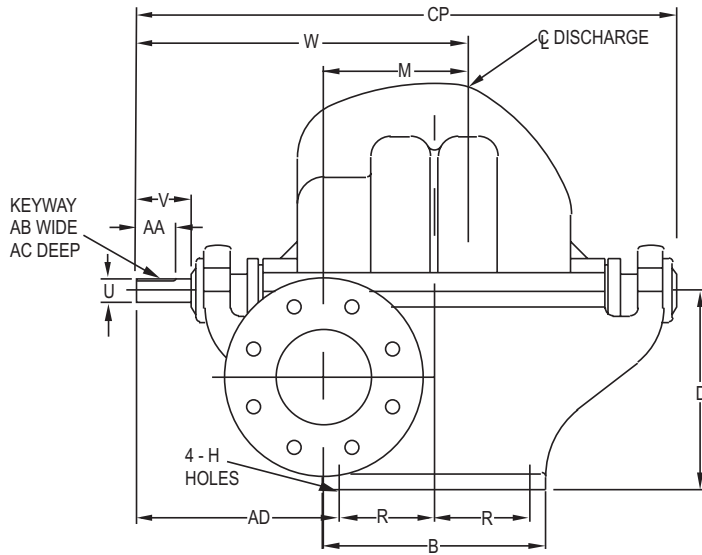
PUMP SIZE				A	B	D	E	G	H	O	R	S	U	V	W	X	Z	AA	AC	AD	AW	AX	CP	YY	ZZ
DISCH AB	MODEL	CASE BORE	SUCTION																						
3	3"5876F	10	4	12 (305)	11-1/2 (292)	10-1/2 (267)	5-1/8 (130)	2 (50)	5/8 (16)	17 (432)	4-7/8 (124)	5-1/2 (140)	1-1/16 (27)	3-7/8 (98)	16-1/2 (419)	10 (254)	5-1/2 (140)	3-3/8 (86)	1/4 (6)	1/8 (3)	11-5/8 (295)	-	29-3/16 (741)	10 (254)	1
4	4"5876F	10	6	13 (330)	14 (355)	13 (330)	5-1/2 (139)	1 (25)	7/8 (22)	20-5/16 (515)	6 (152)	6-1/2 (165)	1-1/4 (31)	4 (101)	16-7/8 (428)	10-1/4 (260)	6-1/2 (165)	2-1/4 (57)	1/4 (6)	1/8 (3)	10-7/8 (276)	-	29-13/16 (757)	11 (279)	
4	4"5823F	14	5	14 (355)	15 (381)	12-1/2 (317)	6 (152)	2 (50)	7/8 (22)	21-3/4 (552)	6-1/2 (165)	7-3/8 (187)	1-1/4 (31)	3-5/8 (92)	18-3/8 (466)	13-1/2 (342)	7-3/8 (187)	2-5/8 (66)	1/4 (6)	1/8 (3)	11-7/8 (301)	-	33-3/16 (842)	14 (355)	3/4
4	4"5824F	18	5	15 (381)	16 (406)	14-3/4 (374)	6-1/2 (165)	2 (50)	7/8 (22)	25-3/4 (654)	7 (177)	9-1/2 (241)	1-1/4 (31)	3-1/2 (88)	18-3/8 (466)	14 (355)	9-1/2 (241)	2-5/8 (66)	1/4 (6)	1/8 (3)	11-3/8 (288)	-	33-1/4 (844)	14 (355)	
5	5"5876F	10	8	16-1/2 (419)	16-1/2 (419)	16 (406)	7 (177)	1 (25)	1-1/4 (31)	23-5/8 (600)	7 (177)	8 (203)	1-5/8 (41)	4-5/8 (117)	20 (508)	12-1/2 (317)	7 (177)	4-3/16 (104)	3/8 (9)	3/16 (4)	13 (355)	-	35-1/2 (902)	13 (330)	
5	5"5824F	18	6	18 (457)	16 (406)	16 (406)	8 (203)	2-1/4 (57)	1 (25)	27-3/4 (704)	7 (177)	10 (254)	1-11/16 (42)	4-15/16 (125)	21 (533)	14 (355)	10 (254)	4-1/8 (104)	3/8 (9)	3/16 (4)	14 (355)	-	37-1/8 (942)	14 (355)	
6	6"5876F	10	10	16-1/2 (419)	16-1/2 (419)	18 (457)	7 (177)	3/4 (19)	1-1/4 (31)	26-7/16 (671)	7 (177)	9 (228)	1-5/8 (41)	4-5/8 (117)	20-5/8 (523)	13 (330)	7-1/2 (190)	4-3/16 (106)	3/8 (9)	3/16 (4)	13-5/8 (346)	-	36-3/4 (933)	15 (381)	
6	6"5823F	15	8	17-1/2 (444)	20 (508)	15-1/2 (394)	7-3/4 (197)	2-1/2 (63)	1 (25)	25-3/4 (654)	9 (228)	8-3/4 (222)	1-11/16 (42)	4-3/16 (106)	22-1/2 (571)	15.5 (394)	8-3/4 (222)	4-1/8 (104)	3/8 (9)	3/16 (4)	13-5/8 (346)	-	40-1/4 (1022)	15 (381)	1
8	8"5823F	15	10	17-1/2 (444)	20 (508)	17-1/2 (444)	7-3/4 (196)	2-1/2 (63)	1 (25)	28-1/8 (714)	9 (228)	9-1/4 (234)	1-11/16 (42)	4-13/16 (122)	22-1/2 (571)	17 (431)	9-1/4 (234)	4-1/8 (104)	3/8 (9)	3/16 (4)	13-1/2 (342)	-	40-1/4 (1022)	17 (431)	
10	10"5824F	18	12	26 (660)	24 (609)	21-3/4 (552)	10-1/2 (266)	1-1/4 (31)	1-1/4 (31)	35-1/4 (895)	9-1/2 (241)	11-1/2 (292)	2 (50)	5-5/16 (134)	25-9/16 (649)	21 (533)	11-1/2 (292)	5 (127)	1/2 (6)	1/4 (6)	16-1/16 (407)	-	45-13/16 (1163)	21 (533)	

**NOTES**

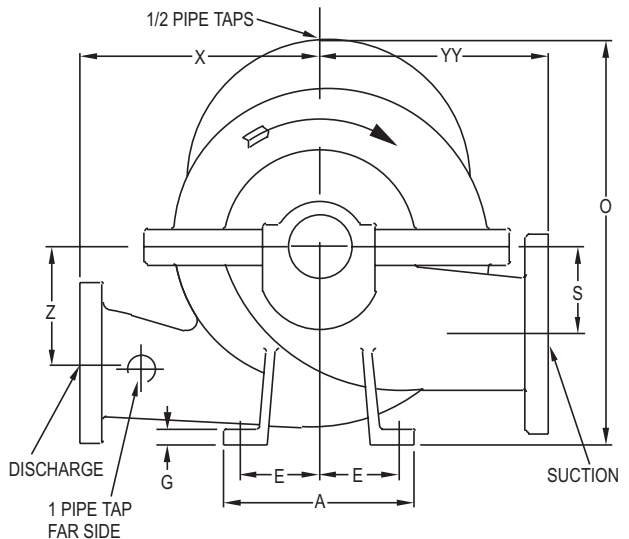
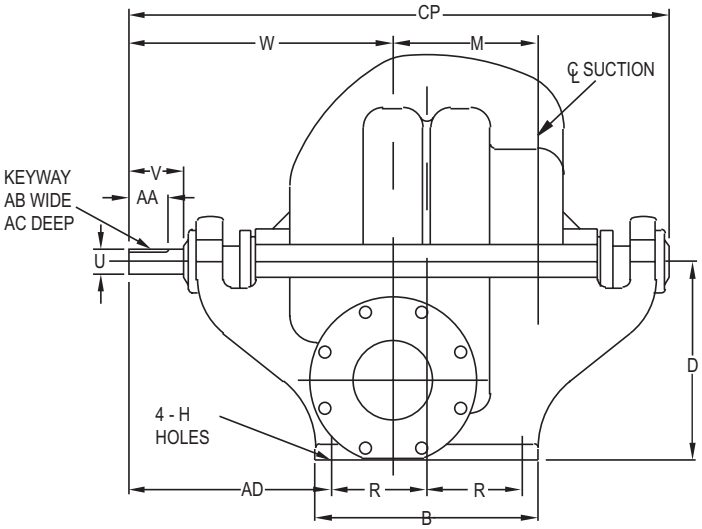
1. All dimensions are in inches.
2. Dimensions may vary ± 3/8".
3. Not for construction purposes unless certified.
4. Suction & discharge flanges ANSI Standard flat face.

 STD. 125# SUCTION AND DISCHARGE FLANGES	 OPT. 125# SUC- TION FLANGE, 250# DISCHARGE FLANGE	 OPT. 250# SUCTION AND DIS- CHARGE FLANGES
--	---	---

# MODEL 5900 MULTI-STAGE FIRE PUMPS



RIGHT HAND ROTATION



LEFT HAND ROTATION

PUMP SIZE			SUCTION	RIGHT HAND ROTATION													LEFT HAND ROTATION								
DISCH	MODEL	CASE BORE		A	B	D	E	G	H	M	O	R	S	U	V	W	X	Z	AA	AB	AC	AD	CP	YY	
5	5"5922F	15	6	20 (508)	24 (609)	17 (431)	9 (228)	2 (50)	7/8 (22)	11 (279)	27-3/4 (704)	11 (279)	9 (228)	1-11/16 (42)	5-7/16 (138)	28-3/8 (720)	23-3/8 (593)	15 (381)	9 (228)	4 (101)	3/8 (9)	3/16 (4)	14-7/8 (377)	46-7/8 (1190)	15 (381)
6	6"5922F	17	8	22 (558)	27 (685)	17-1/2 (444)	9-3/4 (247)	2-1/2 (63)	1-1/8 (28)	13 (330)	35-3/8 (898)	12 (304)	9 (228)	2-1/4 (57)	4-5/8 (117)	31-5/8 (803)	25-1/8 (638)	16-1/2 (419)	10-1/2 (266)	4-1/4 (107)	1/2 (12)	1/4 (6)	16-3/8 (415)	52-1/2 (1333)	16-1/2 (419)

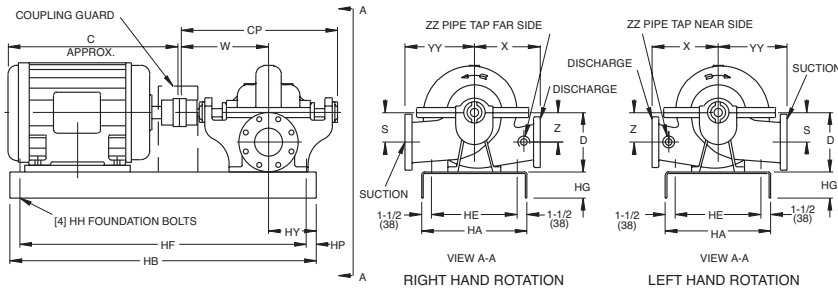
NOTES

1. All dimensions are in inches.
2. Dimensions may vary  $\pm 3/8"$ .
3. Not for construction purposes unless certified.
4. Suction & discharge flanges ANSI Standard flat face.

STD. 125# SUCTION FLANGE, 250# DISCHARGE FLANGE	OPT. 250# SUCTION AND DISCHARGE FLANGES
---	--



# MODEL 1800 ON STANDARD STEEL BASE



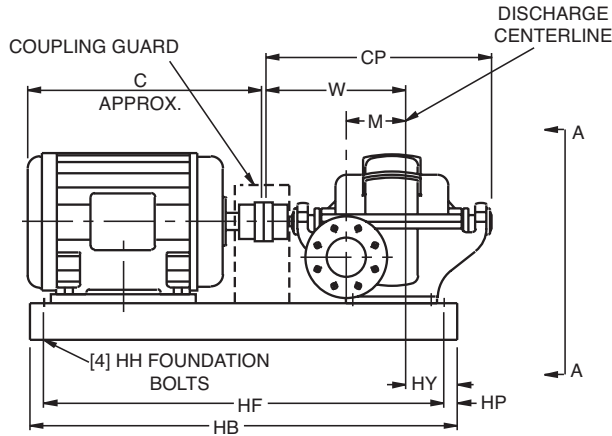
STANDARD 125# SUCTION AND DISCHARGE FLANGES				OPTIONAL 125# SUCTION FLANGE, 250# DISCHARGE FLANGE					OPTIONAL 250# SUCTION AND DISCHARGE FLANGES					MOTOR FRAME	C APPROX																													
PUMP SIZE			SUCTION POWER SERIES	D	S	W	X	Z	CP	HY	YY	ZZ	C APPROX	18	21	23	22	23	24	24	25	25	26	26	28	29	28	30	30	33	32	35	34	38	36	40	40	44	44	45	49			
DISCH	MODEL	CASE BORE												(457)	(533)	(584)	(558)	(609)	(609)	(635)	(635)	(660)	(660)	(711)	(736)	(736)	(711)	(761)	(761)	(838)	(812)	(888)	(863)	(964)	(914)	(1015)	(1015)	(1117)	(1117)	(1143)	(1143)	(1245)	(1245)	
2-1/2	2.5" 1823BF	10	3	8 (203)	4 (102)	13-1/2 (343)	9-3/4 (247)	4 (102)	20 (609)	5 (127)	10 (254)		18	21	23	22	23	24	24	25	25	26	26	28	29	28	30	30	33	32	35	34	38	36	40	40	44	44	45	49				
3	3" 1824F	10	4	9* (228)	4-1/2 (114)	13-1/2 (343)	10 (254)	4-1/2 (114)	24 (609)	5 (127)	11 (279)		BASE	5	7	9	9	9	9	9	11	11	11	11	11	11	12	12																
4	4" 1823AF-CF	11	5	10+ (254)	5 (127)	14-1/2 (368)	11-1/4 (286)	5 (124)	26 (660)	6 (152)	12-3/4 (324)		BASE	7	7	9	11	11	11	11	11	11	11	11	12	12	12	12	15	15	15	15	15	15	15	15								
4	4" 1823DF	11	5	10+ (254)	5-1/2 (140)	14-1/2 (368)	12 (305)	5 (124)	26 (660)	6 (152)	12-3/4 (324)		BASE	7	7	9	11	11	11	11	11	11	11	11	12	12	12	12	15	15	15	15	-	-	-	-	-							
4	4" 1824F	15	5	11 (279)	5-1/2 (140)	14-1/2 (368)	13 (330)	5-1/2 (140)	26 (660)	6 (152)	14 (355)		BASE	-	7	9	11	11	11	11	11	11	11	11	12	12	12	12	15	15	15	15	-	-	-	-	-							
5	5" 1822BF-CF	11	6	11** (279)	5-1/2 (140)	16 (406)	11-1/4 (286)	5-1/2 (140)	28-1/2 (723)	6 (152)	13-1/4 (336)		BASE	7	9	10	11	11	11	11	12	12	12	12	12	12	12	12	15	16	15	16	15	16	15	16	15	16	16					
5	5" 1823F	15	6	12-1/2 (217)	6-1/4 (159)	16 (406)	13-1/4 (336)	6-1/4 (159)	26-1/2 (673)	6 (152)	15 (381)		BASE	7	9	10	11	11	11	11	12	12	12	12	12	12	12	15	16	15	16	15	16	15	16	16	16	16	16					
5	5" 1824F	17	6	12-1/2 (217)	6-1/4 (159)	16 (406)	14 (355)	6-1/4 (159)	28-1/2 (723)	6 (152)	15 (381)		BASE	7	9	10	11	11	11	11	12	12	12	12	12	12	12	15	16	15	16	15	16	15	16	16	16	16	16					
6	6" 1822F	11	8	12-1/2 (217)	8-5/8 (219)	16 (406)	11-3/4 (298)	6-1/4 (159)	28-1/2 (723)	6 (152)	14-1/2 (368)		BASE	7	9	10	11	11	11	11	12	12	12	12	12	12	12	15	16	15	16	15	16	15	16	15	16							
6	6" 1822HHF	11	8	16-1/2 (419)	8-5/8 (219)	18-1/2 (460)	10 (254)	8-5/8 (219)	32-7/8 (835)	8 (203)	15 (381)		BASE														13	15	-	-	-	-	-	-	-	-	-	-						
6	6" 1823HHF	14	8	16-1/2 (419)	7-1/2 (191)	20-1/2 (519)	15 (381)	7-1/2 (191)	36-3/4 (933)	8 (203)	17 (431)		BASE															15	-	-	-	-	-	-	-	-	-	-	-	-	-			
6	6" 1823F -BF, -CF	15	8	13-1/2 (343)	6-3/4 (171)	18 (457)	14-1/4 (368)	6-3/4 (171)	32 (812)	7 (178)	16-3/4 (425)		BASE			11	12	12	12	12	12	12	12	12	12	13	13	15	15	16	16	16	16	16	16	16	16	16						
6	6" 1824BF-CF	18	8	14-3/4 (374)	8 (203)	18 (457)	16 (406)	8 (203)	32 (812)	7 (178)	18 (457)		BASE	10	11	12	12	12	12	12	12	12	12	12	12	13	13	15	15	16	16	16	16	16	16	16	16	16	16					
6	6" 1825F	20	8	14-3/4 (374)	8 (203)	18 (457)	15-3/4 (400)	8 (203)	32 (812)	7 (178)	18 (457)		BASE	10	11	12	12	12	12	12	12	12	12	12	12	13	13	15	15	16	16	16	16	16	16	16	16	16	16	16	16			
8	8" 1822F	12	10	14-3/4 (374)	8 (203)	18 (457)	17 (431)	9 (228)	32 (812)	7 (178)	17-3/4 (450)		BASE	10	11	12	12	12	12	12	12	12	12	12	12	13	13	15	15	16	16	16	16	16	16	16	16	16	16	16	16			
8	8" 1824BF	17	10	14-3/4 (374)	8 (203)	18 (457)	17 (431)	8 (228)	32 (812)	7 (178)	17-3/4 (450)		BASE	10	11	12	12	12	12	12	12	12	12	12	12	13	13	15	15	16	16	16	16	16	16	16	16	16	16	16	16			
8	8" 1825F-AF	21	10	18-1/2 (470)	9-1/2 (241)	21-7/8 (555)	18 (457)	9-1/2 (241)	38 (964)	11 (279)	21 (533)		BASE													14	14	16	16	16	16	16	16	16	16	16	17	17						
8	8" 1826F	24	12	26 (660)	15 (381)	25-1/4 (641)	20 (508)	15 (381)	43-7/8 (1114)	11 (279)	25 (635)		BASE														14	14	16	16	16	16	16	16	17	17								
10	10" 1823CF	15	12	25 (635)	13-1/2 (343)	21-7/8 (555)	17 (431)	13-1/2 (343)	38 (964)	11 (279)	20 (508)		BASE													14	14	14	14	16	16	16	16	16	16	16	16	17						
10	10" 1824F	18	12	25 (635)	13-1/2 (343)	21-7/8 (555)	18 (457)	13-1/2 (343)	38 (964)	11 (279)	22 (558)		BASE													14	14	16	16	16	16	16	16	16	16	16	17							
10	10" 1824DF	18	12	25 (635)	12-1/4 (311)	24-1/4 (616)	20 (508)	12-1/4 (311)	43 (1092)	11-1/2 (292)	24 (610)		BASE																															
12	12" 1824AF	18	14	24 (609)	15 (381)	25-1/4 (615)	18 (457)	15 (381)	44 (1117)	11 (279)	23 (584)		BASE															16	16	16	16	16	17	17										

BASE	HA	HB	HE	HG	HH	HF	HP
5	12 (305)	38 (964)	9 (228)	3 (76)	1/2 (13)	17 (431)	20 (508)
7	13 (330)	42 (1066)	10 (254)	4 (101)	5/8 (15)	17 (431)	24 (609)
9	15 (381)	44 (1117)	12 (305)	3-3/8 (86)	5/8 (15)	19 (482)	24 (609)
10	18 (457)	44 (1117)	15 (381)	4 (101)	5/8 (15)	42 (1066)	1 (25)
11	18 (457)	48 (1219)	15 (381)	4 (101)	5/8 (15)	46 (1168)	1 (25)
12	18 (457)	54 (1371)	15 (381)	4 (101)	5/8 (15)	52 (1320)	1 (25)
13	18 (457)	60 (1524)	15 (381)	4 (101)	5/8 (15)	35 (888)	24 (609)
14	18 (457)	65 (1651)	15 (381)	4 (101)	5/8 (15)	40 (1015)	24 (609)
15	22 (558)	60 (1524)	19 (482)	4 (101)	5/8 (15)	58 (1473)	1 (25)
16	22 (558)	72 (1828)	19 (482)	4 (101)	5/8 (15)	70 (1778)	1 (25)
17	22 (558)	84 (2133)	19 (482)	4 (101)	5/8 (15)	82 (2082)	1 (25)

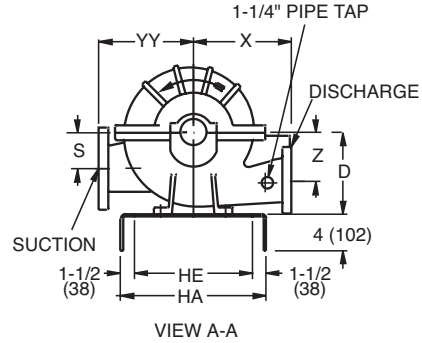
- NOTES
1. All dimensions are in inches.
  2. Dimensions may vary  $\pm 3/8"$ .
  3. Not for construction purposes unless certified.
  4. Coupling gap may vary  $1/8"$  thru  $2-1/16"$ .
  5. Conduit box is shown in approximate location. Dimensions are not specified as they vary with each motor manufacturer.
  6. Suction and discharge flanges are ANSI standard flat face.
    - D is 9.0" when using frames 364TS and 365TS.
    - \* D is 10-1/2" when using frames 324TS - 365TS.
    - \*\* D is 12 when using frames 404TS - 449TS.

445TS.  
 \*\*\* Pump sizes 6"1822HHF & 6"1823HHF are furnished as standard with 125# suction flange & 250# discharge flange.  
 + D is 10-1/2" when using frames 404TS - 405TS and D is 11 when using frames 444TS - 445TS.

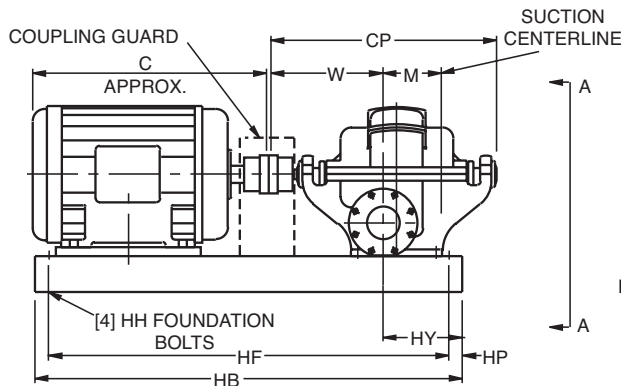
# MODEL 1900 ON STANDARD STEEL BASE



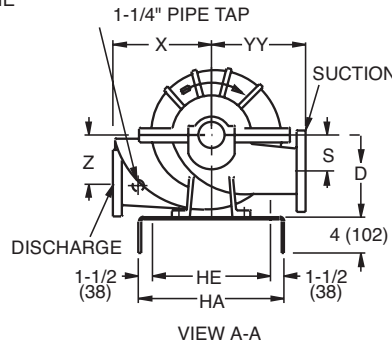
RIGHT HAND ROTATION



PIPE TAP ON BOTH SIDES OF 5\"/>



LEFT HAND ROTATION



PUMP SIZE		CASE BORE	STANDARD* 125# SUCTION AND 250# DISCHARGE FLANGE				OPTIONAL* 250# SUCTION AND DISCHARGE FLANGES				CP	RIGHT HAND ROTATION HY	LEFT HAND ROTATION HY	YY	C	MOTOR FRAME	26	27	28	29	30	31	32	33	34	35	36	37	38	39	40	41	42	43	44	45			
DISCH	MODEL		SUCTION	POWER SERIES	D	M	S	RIGHT HAND ROTATION W	LEFT HAND ROTATION W	X																											Z	RIGHT HAND ROTATION W	LEFT HAND ROTATION W
4	4"1922F	15	5	3	11 (279)	7-1/8 (181)	5 (127)	18-7/8 (479)	15-1/8 (384)	13 (330)	6-1/2 (165)	31 (787)	4-1/8 (105)	7-7/8 (200)	13-1/2 (343)	BASE	12	12	12	12	12	12	12	12	12	12	12	12	12	12	12	12	12	12	12	12	12	12	
5	5"1924F	12	5	4A	14 (356)	6-5/8 (168)	7 (178)	20-7/8 (530)	18-1/8 (460)	13 (330)	7 (178)	35-3/8 (889)	11-1/8 (283)	13-7/8 (352)	13 (330)	BASE																							
5	5"1922F	15	6	4	12-1/2 (317)	9-1/8 (232)	5-1/2 (140)	21-1/8 (536)	16-7/8 (428)	15 (381)	7-1/2 (190)	34-1/2 (876)	4-7/8 (124)	9-1/8 (232)	15-7/16 (392)	BASE	12	12	12	12	12	13	15	15	15	15	15	16	16	16	16	16	16	16	16	16	16	16	
6	6"1924F	12	6	5A	15 (381)	7-1/2 (191)	8 (203)	22-7/8 (581)	19-5/8 (498)	14 (356)	8 (203)	38-1/2 (978)	10-7/8 (276)	14-1/8 (359)	14 (356)	BASE																							
6	6"1923F	16	8	5	16.5 (419)	10.5 (210)	8.25 (600)	23.63 (467)	18.38 (483)	19 (197)	7.75 (962)	37.88 (127)	5 (260)	10.25 (432)	17	BASE																							
6	6"1922AF	17	8	5	14-3/4 (374)	11 (279)	7 (622)	24-1/2 (444)	17-1/2 (406)	16 (228)	9 (964)	38 (89)	3-1/2 (266)	10-1/2 (419)	16-1/2	BASE	13	13	13	13	13	13	13	15	15	15	16	16	16	16	16	16	16	16	16	16	16	16	16

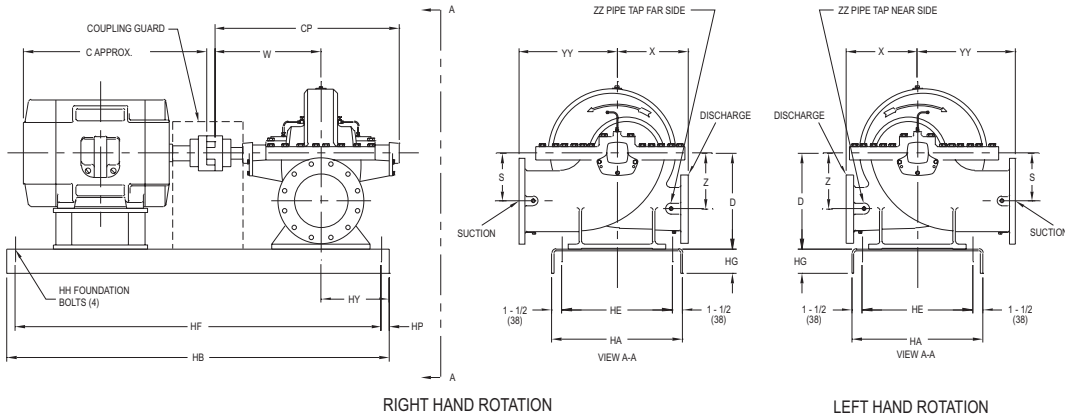
BASE	SIZE	HA	HB	HE	HF	HH	HP
12	18x54 (558)	18 (457)	54 (1372)	15 (381)	52 (1321)	5/8 (16)	1 (25)
13	18x60 (660)	18 (457)	60 (1524)	15 (381)	35 (889)	5/8 (16)	24 (609)
15	22x60 (660)	22 (559)	60 (1524)	19 (483)	58 (1473)	3/4 (19)	1 (25)
16	22x72 (660)	22 (559)	72 (1829)	19 (483)	70 (1777)	5/8 (16)	1 (25)
17	22x84 (660)	22 (559)	84 (2134)	19 (483)	80 (2083)	5/8 (16)	1 (25)

**NOTES**

- All dimensions are in inches (mm).
- Dimensions may vary ±3/8" (10).
- Not for construction purposes unless certified.
- Coupling gap may vary 1/8" thru 1".
- Conduit box is shown in approximate location. Dimensions are not specified as they vary with each motor manufacturer.
- Suction and discharge flanges are ANSI standard flat face.

\* 150# AND 300# OR 300# AND 300# SUCTION AND DISCHARGE DUCTILE IRON FOR 5"1924F AND 6"1924F

# MODEL 2800 ON STANDARD STEEL BASE



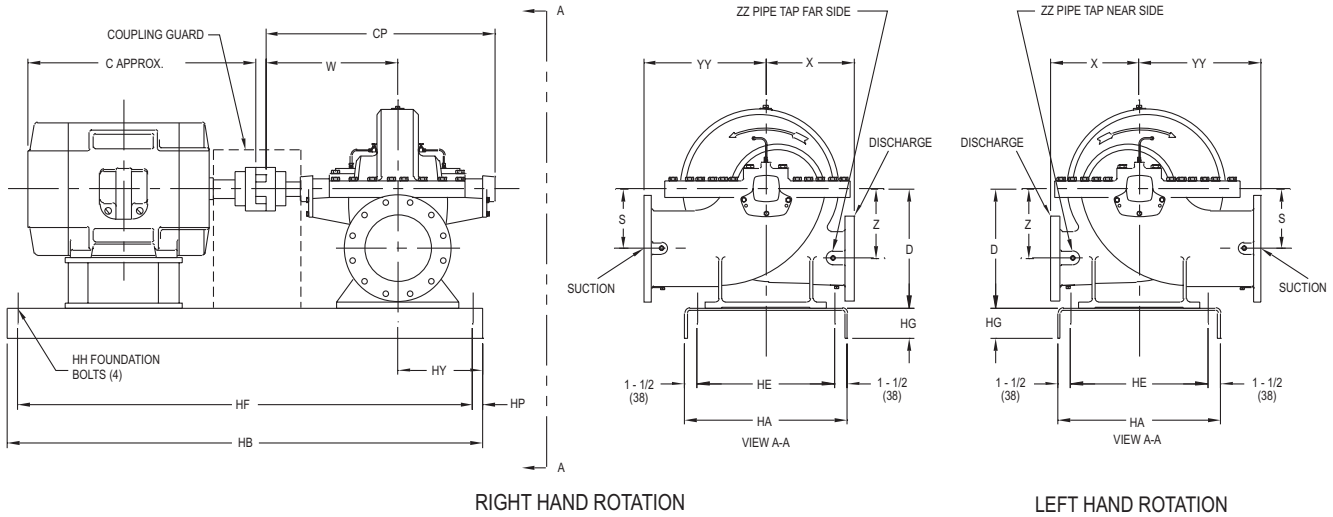
STANDARD*			OPTIONAL			OPTIONAL			MOTOR FRAME																																
125# SUCTION AND DISCHARGE FLANGES			125# SUCTION FLANGE, 250# DISCHARGE FLANGE			250# SUCTION AND DISCHARGE FLANGES			254T	256T	284TS	284T	286T	324TS	324T	326TS	326T	364TS	364T	365TS	365T	404TS	404T	405TS	405T	444TS	444T	445TS	445T	447TS	447T	449TS	449T								
PUMP SIZE		CASE	SUCTION	D	S	W	X	Z	CP	HY	YY	ZZ	APPROX	C																											
DISCH	MODEL													BORE																											
25	3	3	2874AF-CF	9	5	12 (304)	6-1/8 (155)	14-5/8 (371)	11 (279)	6-1/8 (155)	25-15/16 (658)	10 (254)	12 (304)	3/4	BASE	11 (533)	11 (584)	11 (558)	11 (609)	12 (609)	12 (635)	12 (635)	12 (660)	12 (660)	12 (711)	12 (711)	12 (736)	12 (711)	12 (762)	12 (762)	12 (838)	12 (812)	12 (889)	12 (863)	12 (965)	12 (914)	12 (1016)	12 (1016)	12 (1117)	12 (1143)	12 (1244)
	4	4	2873AF	8	6	11 (279)	5-3/4 (146)	14-5/8 (371)	10 (254)	5-1/2 (140)	25-15/16 (698)	8 (254)	11-1/4 (286)	3/4	BASE	11 (533)	11 (584)	11 (558)	11 (609)	11 (609)	12 (635)	12 (635)	12 (660)	12 (660)	12 (711)	12 (711)	12 (736)	12 (711)	12 (762)	12 (762)	12 (838)	12 (812)	12 (889)	12 (863)	12 (965)	12 (914)	12 (1016)	12 (1016)	12 (1117)	12 (1143)	12 (1244)
	4	4	2876AF-CF	11	6	13-3/4 (349)	6-7/8 (174)	16-5/8 (422)	11-1/4 (285)	7-1/8 (180)	29-11/16 (754)	10 (254)	14 (355)	3/4	BASE	12 (635)	12 (635)	12 (660)	12 (660)	12 (711)	12 (711)	12 (736)	12 (711)	12 (762)	12 (762)	12 (838)	12 (812)	12 (889)	12 (863)	12 (965)	12 (914)	12 (1016)	12 (1016)	12 (1117)	12 (1143)	12 (1244)	12 (1244)	12 (1244)	12 (1244)	12 (1244)	
	4	4	2823CF	14	6	13-3/4 (349)	6-7/8 (174)	17-5/8 (447)	13 (330)	8-3/8 (212)	31-11/16 (804)	12 (304)	15-1/4 (387)	3/4	BASE	-	-	-	-	-	15 (635)	15 (635)	15 (660)	15 (660)	15 (711)	15 (711)	15 (736)	15 (711)	15 (762)	15 (762)	15 (838)	15 (812)	15 (889)	15 (863)	15 (965)	15 (914)	15 (1016)	15 (1016)	15 (1117)	15 (1143)	15 (1244)
	5	5	2823AF	14	8	16-1/4 (412)	8-1/4 (209)	17-5/8 (447)	13-1/2 (342)	9-3/4 (247)	31-11/16 (804)	12 (304)	17-1/4 (438)	1	BASE	-	-	-	15 (609)	15 (609)	15 (635)	15 (635)	15 (660)	15 (660)	15 (711)	15 (711)	15 (736)	15 (711)	15 (762)	15 (762)	15 (838)	15 (812)	15 (889)	15 (863)	15 (965)	15 (914)	15 (1016)	15 (1016)	15 (1117)	15 (1143)	15 (1244)
	5	5	2824AF	18	8	16-1/4 (412)	8-1/8 (206)	18-7/8 (479)	15 (381)	10-5/8 (269)	33-3/8 (847)	12 (304)	18-3/4 (476)	1	BASE	-	-	-	-	-	15 (635)	15 (635)	15 (660)	15 (660)	15 (711)	15 (711)	15 (736)	15 (711)	15 (762)	15 (762)	15 (838)	15 (812)	15 (889)	15 (863)	15 (965)	15 (914)	15 (1016)	15 (1016)	15 (1117)	15 (1143)	15 (1244)
	6	6	2876AF	12	6	13-3/4 (349)	6-7/8 (174)	16-5/8 (422)	20-1/2 (520)	7-1/8 (180)	29-11/16 (754)	10 (254)	14 (355)	1	BASE	12 (635)	12 (635)	12 (660)	12 (660)	12 (711)	12 (711)	12 (736)	12 (711)	12 (762)	12 (762)	12 (838)	12 (812)	12 (889)	12 (863)	12 (965)	12 (914)	12 (1016)	12 (1016)	12 (1117)	12 (1143)	12 (1244)	12 (1244)	12 (1244)	12 (1244)		
	6	6	2823CF	14	10	18-3/4 (476)	9-3/8 (238)	20-1/8 (511)	13-1/4 (336)	10 (254)	35-7/8 (911)	12 (304)	18 (457)	1	BASE	-	15 (635)	15 (635)	15 (635)	15 (635)	15 (635)	15 (635)	15 (635)	15 (635)	15 (635)	15 (635)	15 (635)	15 (635)	15 (635)	15 (635)	15 (635)	15 (635)	15 (635)	15 (635)	15 (635)	15 (635)	15 (635)	15 (635)	15 (635)	15 (635)	15 (635)
	6	6	2824CF	18	10	18-3/4 (476)	9-3/8 (238)	20-1/8 (511)	16 (406)	11-3/4 (298)	35-7/8 (911)	13-1/2 (342)	20 (508)	1	BASE	-	-	-	21 (609)	21 (609)	21 (635)	21 (635)	21 (660)	21 (660)	21 (711)	21 (711)	21 (736)	21 (711)	21 (762)	21 (762)	21 (838)	21 (812)	21 (889)	21 (863)	21 (965)	21 (914)	21 (1016)	21 (1016)	21 (1117)	21 (1143)	21 (1244)
	6	6	2825AF	19	10	18-3/4 (476)	9-3/8 (238)	22-5/8 (574)	18 (457)	12-1/8 (307)	39-1/4 (996)	13-1/2 (342)	22 (558)	1	BASE	-	-	-	-	-	21 (635)	21 (635)	21 (660)	21 (660)	21 (711)	21 (711)	21 (736)	21 (711)	21 (762)	21 (762)	21 (838)	21 (812)	21 (889)	21 (863)	21 (965)	21 (914)	21 (1016)	21 (1016)	21 (1117)	21 (1143)	21 (1244)
	8	8	2823AF	14	12	21-1/2 (546)	10-3/4 (273)	20-1/2 (520)	16 (406)	10-3/4 (273)	36-5/8 (930)	13-1/2 (342)	22 (558)	1	BASE	-	-	-	-	-	22 (635)	22 (635)	22 (660)	22 (660)	22 (711)	22 (711)	22 (736)	22 (711)	22 (762)	22 (762)	22 (838)	22 (812)	22 (889)	22 (863)	22 (965)	22 (914)	22 (1016)	22 (1016)	22 (1117)	22 (1143)	22 (1244)
	8	8	2824AF	18	12	21-1/2 (546)	10-3/4 (273)	23-3/4 (603)	16 (406)	12-1/2 (317)	41-1/2 (1054)	13-1/2 (342)	22 (558)	1	BASE	-	-	-	-	-	22 (635)	22 (635)	22 (660)	22 (660)	22 (711)	22 (711)	22 (736)	22 (711)	22 (762)	22 (762)	22 (838)	22 (812)	22 (889)	22 (863)	22 (965)	22 (914)	22 (1016)	22 (1016)	22 (1117)	22 (1143)	22 (1244)
	10	10	2825AF	20	16	24 (609)	13 (330)	25-9/16 (649)	23 (584)	14-1/4 (361)	44-9/16 (1131)	15 (381)	25 (635)	1	BASE	-	-	-	-	-	23 (635)	23 (635)	23 (660)	23 (660)	23 (711)	23 (711)	23 (736)	23 (711)	23 (762)	23 (762)	23 (838)	23 (812)	23 (889)	23 (863)	23 (965)	23 (914)	23 (1016)	23 (1016)	23 (1117)	23 (1143)	23 (1244)

BASE	HA	HB	HE	HG	HH	HF	HP
11	18 (457)	48 (1219)	15 (381)	4 (101)	5/8 (15)	46 (1168)	1 (25)
12	18 (457)	54 (1371)	15 (381)	4 (101)	5/8 (15)	52 (1320)	1 (25)
13A	18 (457)	60 (1524)	15 (381)	4 (101)	5/8 (15)	58 (1473)	1 (25)
14A	18 (457)	65 (1651)	15 (381)	4 (101)	5/8 (15)	63 (1600)	1 (25)
15	22 (558)	60 (1524)	19 (482)	4 (101)	5/8 (15)	58 (1473)	1 (25)
16	22 (558)	72 (1828)	19 (482)	4 (101)	5/8 (15)	70 (1778)	1 (25)
21	24 (609)	66 (1676)	21 (533)	4 (101)	5/8 (15)	64 (1625)	1 (25)
22	24 (609)	78 (1981)	21 (533)	4 (101)	5/8 (15)	76 (1930)	1 (25)
23	26 (660)	84 (2133)	23 (584)	4-1/2 (114)	5/8 (15)	82 (2082)	1 (25)
24	26 (660)	96 (2438)	23 (584)	4-1/2 (114)	5/8 (15)	94 (2387)	1 (25)

- NOTES
- All dimensions are in inches.
  - Dimensions may vary ± 3/8".
  - Not for construction purposes unless certified.
  - Coupling gap may vary 1/8" thru 3".
  - Conduit box is shown in approximate location. Dimensions are not specified as they vary with each motor manufacturer.
  - Suction and discharge flanges are ANSI standard flat face.
  - Structural steel bases are used for pumps with motor frames larger than 449T (refer to factory)

\*STD 125# SUCTION FLANGE AND 250# DISCHARGE FLANGE FOR 6"2876AF AND 10"2825AF

# MODEL 5800 ON STANDARD STEEL BASE



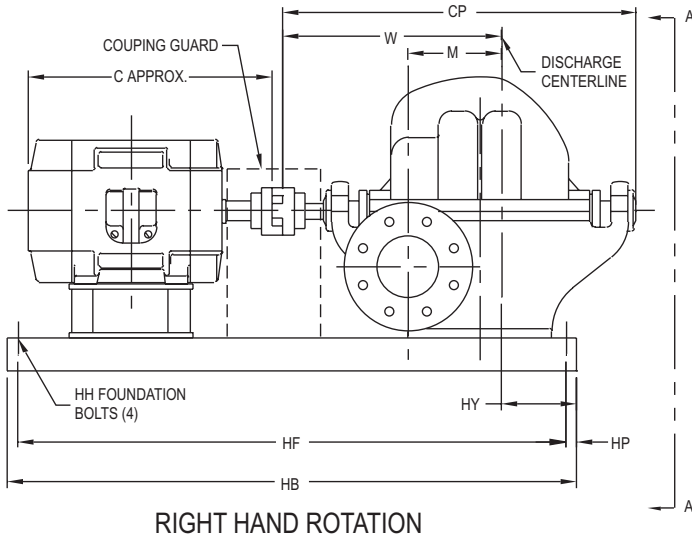
STANDARD 125# SUCTION AND DISCHARGE FLANGES			OPTIONAL 125# SUCTION FLANGE, 250# DISCHARGE FLANGE					OPTIONAL 250# SUCTION AND DISCHARGE FLANGES				MOTOR FRAME																																
PUMP SIZE	DISCH	MODEL	CASE BORE	SUCTION	D	S	W	X	Z	CP	HY	YY	ZZ	C APPROX	254T (533)	256T (584)	284TS (558)	284T (609)	286TS (609)	286T (635)	324TS (635)	324T (660)	326TS (660)	326T (711)	364TS (736)	364T (736)	365TS (711)	365T (762)	404TS (838)	404T (812)	405TS (889)	405T (889)	444TS (965)	444T (914)	445TS (1016)	445T (1016)	447TS (1117)	447T (1143)	449TS (1244)	449T (1244)				
49	3	3"5876F	10	4	10-1/2 (267)	5-1/2 (140)	16-1/2 (419)	10 (254)	5-1/2 (140)	29-3/16 (757)	7 (178)	10 (254)	1	BASE	11	11	11	11	11	11	12	12	12	12	12	12	12	12	-	-	-	-	-	-	-	-	-	-	-	-	-			
	4	4"5876F	10	6	13 (330)	6-1/2 (165)	16-7/8 (428)	10-1/4 (260)	6-1/2 (165)	29-13/16 (757)	10 (254)	11 (279)	3/4	BASE	-	-	-	-	-	3A	3A	3A	3A	3A	3A	3A	3A	3A	15	15	15	16	-	-	-	-	-	-	-	-	-			
	4	4"5823F	14	5	12-1/2 (317)	7-3/8 (187)	18-3/8 (466)	13-1/2 (342)	7-3/8 (187)	33-3/16 (842)	10 (254)	14 (355)	3/4	BASE	-	12	12	12	3A	3A	3A	3A	3A	3A	3A	3A	3A	3A	14A	14A	16	16	-	-	-	-	-	-	-	-	-			
	4	4"5824F	18	5	14-3/4 (374)	9-1/2 (241)	18-3/8 (466)	14 (355)	9-1/2 (241)	33-1/4 (844)	11 (279)	14 (355)	3/4	BASE	-	-	-	-	-	-	3A	3A	3A	3A	3A	3A	3A	14A	14A	16	16	-	-	-	-	-	-	-	-	-	-			
	5	5"5876F	10	8	16 (406)	8 (203)	20 (508)	12-1/2 (317)	7 (178)	35-1/2 (902)	11 (279)	13 (330)	1	BASE	12	12	15	15	15	15	15	15	15	15	15	15	15	15	15	16	16	16	16	16	16	16	16	16	16	16	-	-	-	
	5	5"5824F	18	6	16 (406)	10 (254)	21 (533)	14 (355)	10 (254)	37-1/8 (942)	11 (279)	14 (355)	1	BASE	-	-	-	-	-	-	-	15	15	15	15	15	15	16	16	16	16	16	16	16	16	16	16	16	16	16	16	-	-	
	6	6"5876F	10	10	18 (457)	9 (228)	20-5/8 (523)	13 (330)	7-1/2 (190)	36-3/4 (933)	11 (279)	15 (381)	1	BASE	-	-	-	-	-	-	-	-	-	-	-	-	-	16	16	16	16	16	16	16	16	16	16	16	16	16	16	16	-	-
	6	6"5823F	15	8	15-1/2	8-3/4	22-1/2	15	8-3/4	40-1/4	13	15-1/2	1	BASE	-	-	-	15	15	16	16	16	16	16	16	16	16	16	16	16	16	16	16	16	16	16	16	16	16	16	16	16	-	-

BASE	HA	HB	HE	HG	HH	HF	HP
11	18 (457)	48 (1219)	15 (381)	4 (101)	5/8 (15)	46 (1168)	1 (25)
12	18 (457)	54 (1371)	15 (381)	4 (101)	5/8 (15)	52 (1320)	1 (25)
13A	18 (457)	60 (1524)	15 (381)	4 (101)	5/8 (15)	58 (1473)	1 (25)
14A	18 (457)	65 (1651)	15 (381)	4 (101)	5/8 (15)	63 (1600)	1 (25)
15	22 (558)	60 (1524)	19 (482)	4 (101)	5/8 (15)	58 (1473)	1 (25)
16	22 (558)	72 (1828)	19 (482)	4 (101)	5/8 (15)	70 (1778)	1 (25)
17	22 (558)	84 (2133)	19 (482)	4 (101)	5/8 (15)	82 (2082)	1 (25)
23	26 (660)	84 (2133)	23 (584)	4-1/2 (114)	5/8 (15)	82 (2082)	1 (25)
24	26 (660)	96 (2438)	23 (584)	4-1/2 (114)	5/8 (15)	94 (2387)	1 (25)

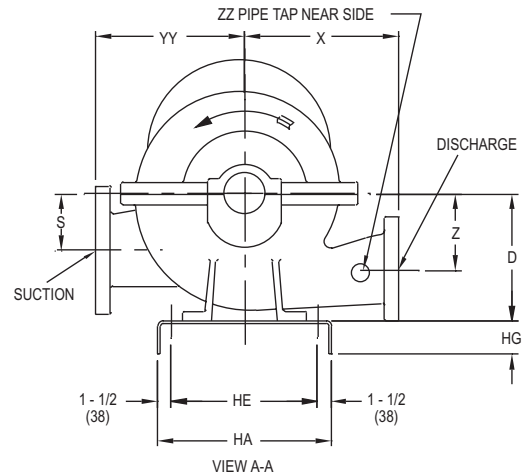
## NOTES

1. All dimensions are in inches.
2. Dimensions may vary  $\pm 3/8"$ .
3. Not for construction purposes unless certified.
4. Coupling gap may vary 1/8" thru 3".
5. Conduit box is shown in approximate location.  
Dimensions are not specified as they vary with each motor manufacturer.
6. Suction and discharge flanges are ANSI standard flat face.
7. Structural steel bases are used for pumps with motor frames larger than 449T (refer to factory)

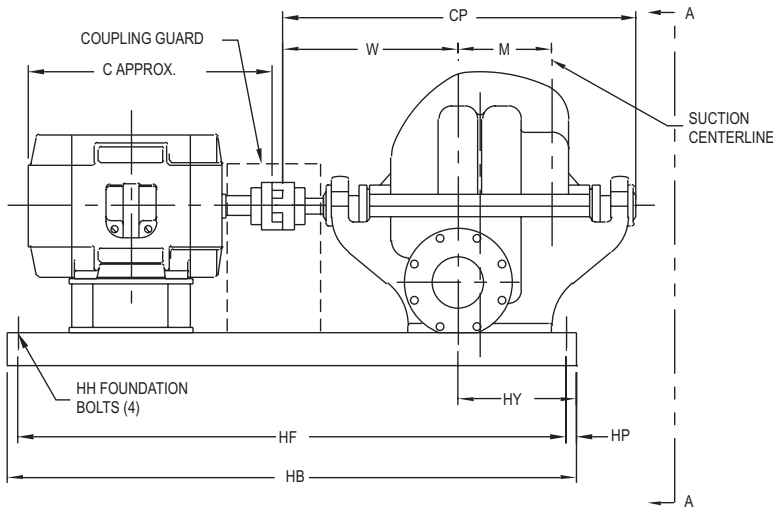
# MODEL 5900 ON STANDARD STEEL BASE



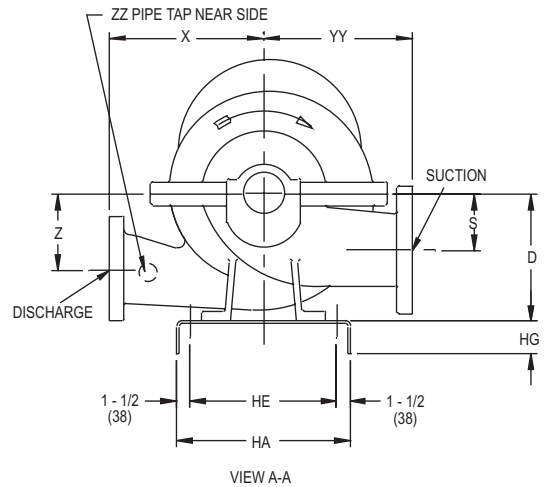
RIGHT HAND ROTATION



VIEW A-A



LEFT HAND ROTATION



VIEW A-A

PUMP SIZE		STANDARD 125# SUCTION FLANGE, 250# DISCHARGE FLANGE			OPTIONAL 250# SUCTION AND DISCHARGE FLANGE			MOTOR FRAME																					
DISCH	MODEL	CASE BORE	SUCTION	D	M	S	RIGHT HAND W	LEFT HAND W	X	Z	CP	RIGHT HAND HY	LEFT HAND HY	YY	ZZ	C APPROX	404TIS (762)	404T (838)	405TIS (812)	405T (889)	444TIS (863)	444T (965)	445TIS (914)	445T (1016)	447TIS (1016)	447T (1117)	449TIS (1143)	449T (1244)	
5	5	5922F	15	6	17 (431)	11 (279)	9 (228)	28-3/8 (720)	23-3/8 (593)	15 (381)	9 (228)	46-7/8 (1190)	13-1/2 (342)	18-1/2 (469)	15 (381)	1 (25)	BASE	17	17	17	17	-	-	-	-	-	-	-	-
6	6	5922F	17	8	17-1/2 (444)	13 (330)	9 (228)	31-5/8 (803)	25-1/8 (638)	16-1/2 (419)	10-1/2 (266)	52-1/2 (1333)	12-3/4 (323)	19-1/4 (488)	16-1/2 (419)	1 (25)	BASE	-	-	-	-	23	23	23	23	24	24	24	24

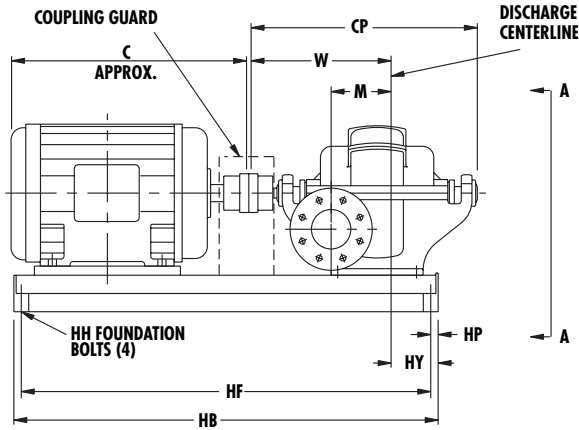
**NOTES**

- All dimensions are in inches.
- Dimensions may vary  $\pm 3/8"$ .
- Not for construction purposes unless certified.
- Coupling gap may vary 1/8" thru 3".
- Conduit box is shown in approximate location. Dimensions are not specified as they vary with each motor manufacturer.
- Suction and discharge flanges are ANSI standard flat face.

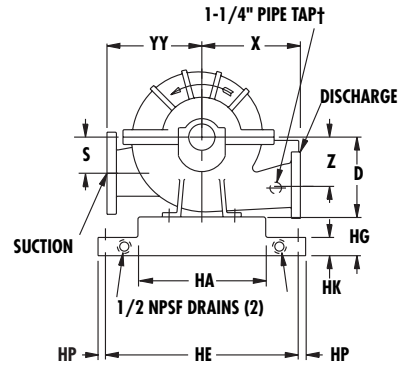
BASE	HA	HB	HE	HG	HH	HF	HP
17	22 (558)	84 (2133)	19 (482)	4 (101)	5/8 (15)	82 (2082)	1 (25)
23	26 (660)	84 (2133)	23 (584)	4-1/2 (114)	5/8 (15)	82 (2082)	1 (25)
24	26 (660)	96 (2438)	23 (584)	4-1/2 (114)	5/8 (15)	94 (2387)	1 (25)



# MODEL 1900 ON STEEL DRIP RIM BASE

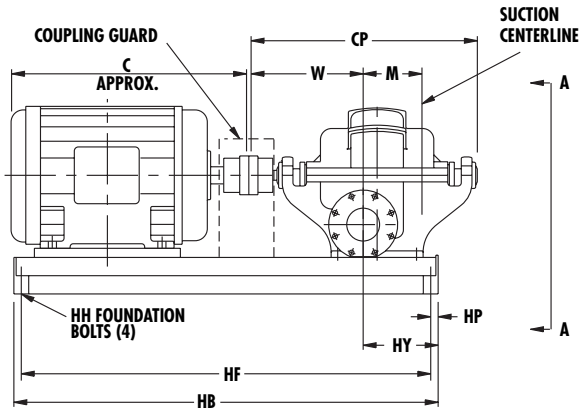


RIGHT HAND ROTATION

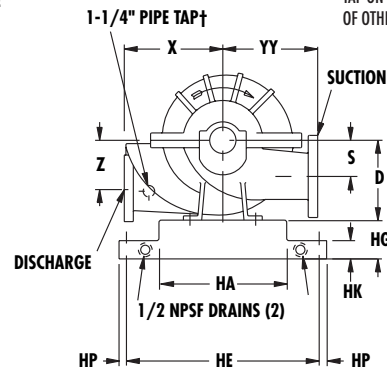


VIEW A-A

† PIPE TAP ON BOTH SIDES OF 5\"/>



LEFT HAND ROTATION



VIEW A-A

\* 150# AND 300# OR 300# AND 300#  
SUCTION AND DISCHARGE DUCTILE IRON  
FOR 5\"/>

PUMP SIZE	DISCH	MODEL	CASE BORE	SUCTION	POWER SERIES	STANDARD*		OPTIONAL*		RIGHT HAND ROTATION	LEFT HAND ROTATION	RIGHT HAND ROTATION	LEFT HAND ROTATION	C	MOTOR FRAME														
						125# SUCTION AND 250# DISCHARGE FLANGE	250# SUCTION AND DISCHARGE FLANGES	W	X							Z	CP	HY	HY	YY	26	28	27	29	28	30	30	33	32
45	4	4\"/>																											

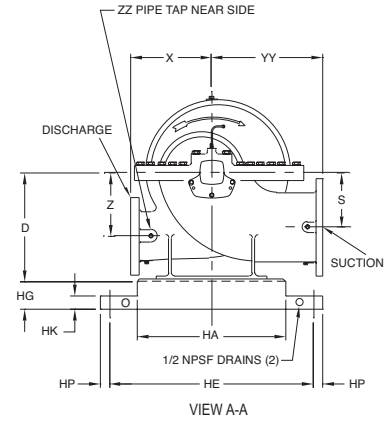
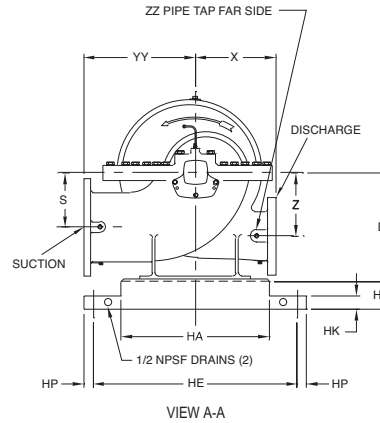
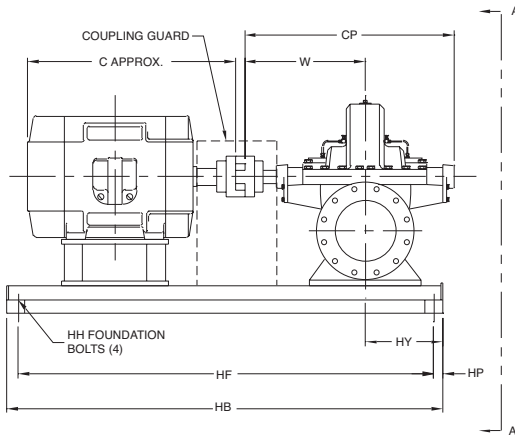
BASE SIZE	HA	HB	HE	HF	HG	HH	HK	HP
12	18x54 (457)	18 (457)	54-1/2 (1383)	25-1/8 (638)	52-7/8 (1342)	4 (102)	3/4 (19)	2 (51)
13	18x64	18 (457)	64-1/2 (1637)	25-1/8 (638)	62-7/8 (1593)	4 (102)	3/4 (19)	2 (51)
15	22x54	22 (559)	54-1/2 (1383)	29-1/8 (740)	52-7/8 (1342)	4-1/2 (114)	3/4 (19)	2 (51)
16	22x64	22 (559)	64-1/2 (1637)	29-1/8 (740)	62-7/8 (1593)	4-1/2 (114)	3/4 (19)	2 (51)
17	22x74	22 (559)	74-1/2 (1892)	29-1/8 (740)	72-7/8 (1851)	4-1/2 (114)	3/4 (19)	2 (51)
18	22x82	22 (559)	82-1/2 (2096)	29-1/8 (740)	80-7/8 (2054)	4-1/2 (114)	3/4 (19)	2 (51)

### NOTES

- All dimensions are in inches (mm) and may vary ± 3/8" (10).
- Not for construction purposes unless certified.
- Coupling gap may vary 1/8" (3) thru 1" (25).
- Conduit box is shown in approximate location.  
Dimensions are not specified as they vary with each motor manufacturer.
- Suction and discharge flanges are ANSI standard flat face.
- Three grout holes are provided in top of base.



# MODEL 2800 ON STEEL DRIP RIM BASE



RIGHT HAND ROTATION

LEFT HAND ROTATION

PUMP SIZE		STANDARD*	OPTIONAL	OPTIONAL	MOTOR FRAME																														
DISC	MODEL	CASE BORE	125# SUCTION AND DISCHARGE FLANGES	125# SUCTION FLANGE, 250# DISCHARGE FLANGE	250# SUCTION AND DISCHARGE FLANGES	254T	256T	284TS	284T	286TS	286T	324TS	324T	326TS	326T	364TS	364T	365TS	365T	404TS	404T	405TS	405T	444TS	444T	445TS	445T	447TS	447T	449TS	449T				
PUMP SIZE			SUCTION	D	S	W	X	Z	CP	HY	YY	ZZ	C APPROX																						
33	2874AF-CF	9	5	12 (304)	6-1/8 (155)	14-5/8 (371)	11 (279)	6-1/8 (155)	25-15/16 (658)	10 (254)	12 (304)	3/4	BASE	12	12	12	12	12	12	-	-	-	-	-	-	-	-	-	-	-	-				
4	4"2873AF	8	6	11 (279)	5-3/4 (146)	14-5/8 (371)	10 (254)	5-1/2 (140)	25-15/16 (658)	8 (203)	11-1/4 (286)	3/4	BASE	12	12	12	12	12	12	12	12	12	12	12	12	12	12	12	12	12	12	12			
4	4"2876AF-CF	11	6	13-3/4 (349)	6-7/8 (174)	16-3/8 (415)	11-1/4 (285)	7-1/8 (180)	29-11/16 (804)	10 (254)	14 (355)	3/4	BASE	12	12	12	12	12	12	12	12	12	12	13	13	16	16	16	16	16	16	16			
4	4"2823CF	14	6	13-3/4 (349)	6-7/8 (174)	17-5/8 (447)	13 (330)	8-3/8 (212)	31-11/16 (804)	12 (304)	15-1/4 (387)	3/4	BASE	-	-	-	-	-	16	16	16	16	16	16	16	16	16	16	16	16	16	16			
5	5"2823AF	14	8	16-1/4 (412)	8-1/4 (209)	17-5/8 (447)	13-1/2 (342)	9-3/4 (247)	31-11/16 (804)	12 (304)	17-1/4 (438)	1	BASE	-	-	-	-	-	16	16	16	16	16	16	16	16	16	16	16	16	16	16			
5	5"2824AF	18	8	16-1/4 (412)	8-1/8 (206)	18-7/8 (479)	15 (381)	10-5/8 (269)	33-3/8 (847)	12 (304)	18-3/4 (476)	1	BASE	-	-	-	-	-	-	-	-	-	-	16	16	16	16	16	16	16	16	16	16		
6	6"2876AF	12	6	13-3/4 (349)	6-7/8 (174)	16-5/8 (422)	20-1/2 (520)	7-1/8 (180)	29-11/16 (804)	10 (254)	14 (355)	1	BASE	12	12	12	12	12	12	12	12	12	12	13	13	13	13	16	16	16	16	16	16		
6	6"2823CF	14	10	18-3/4 (476)	9-3/8 (238)	20-1/8 (511)	13-1/4 (336)	10 (254)	35-7/8 (911)	12 (304)	18 (457)	1	BASE	-	16	16	16	16	16	16	16	16	16	16	16	17	17	17	17	17	17	17			
6	6"2824CF	18	10	18-3/4 (476)	9-3/8 (238)	20-1/8 (511)	11-3/4 (406)	11-3/4 (298)	35-7/8 (911)	13-1/2 (343)	20 (508)	1	BASE	-	-	-	-	21	21	21	21	21	21	21	21	21	21	21	21	21	21	23	23	23	23
6	6"2825AF	19	10	18-3/4 (476)	9-3/8 (238)	22-5/8 (574)	18 (457)	12-1/8 (307)	39-1/8 (996)	13-1/2 (342)	22 (558)	1	BASE	-	-	-	-	-	-	-	-	-	-	-	-	-	23	23	23	23	23	23			
8	8"2823AF	14	12	21-1/2 (546)	10-3/4 (273)	20-1/2 (520)	16 (406)	10-3/4 (273)	36-5/8 (930)	13-1/2 (342)	22 (558)	1	BASE	-	-	-	-	-	-	-	-	-	21	21	21	21	21	21	21	21	21	21	21		
8	8"2824AF	18	12	21-1/2 (546)	10-3/4 (273)	23-3/4 (603)	16 (406)	12-1/2 (317)	41-1/2 (1054)	13-1/2 (342)	22 (558)	1	BASE	-	-	-	-	-	-	-	-	-	21	21	21	21	23	23	23	23	23	23			
10	10"2825AF	20	16	24 (609)	13 (330)	25-9/16 (649)	23 (584)	14-1/4 (361)	44-9/16 (1131)	15 (381)	25 (635)	1	BASE	-	-	-	-	-	-	-	-	-	-	-	-	-	23	23	20	20	20	20			

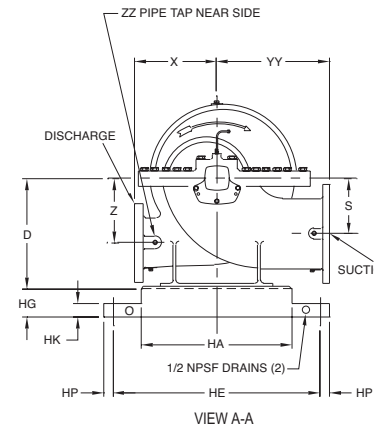
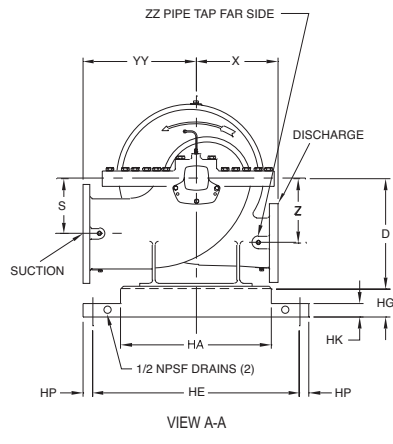
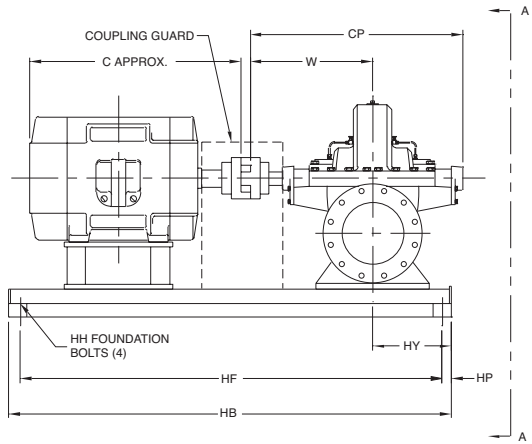
\*STD 125# SUCTION FLANGE AND 250# DISCHARGE FLANGE FOR 6"2876AF AND 10"2825AF

- NOTES
- All dimensions are in inches.
  - Dimensions may vary  $\pm 3/8"$ .
  - Not for construction purposes unless certified.
  - Coupling gap may vary 1/8" thru 3/8".
  - Conduit box is shown in approximate location. Dimensions are not specified as they vary with each motor manufacturer.
  - Suction and discharge flanges are ANSI standard flat face.
  - Structural steel bases are used for pumps with motor frames larger than 449T (refer to factory)

BASE	SIZE	HA	HB	HE	HF	HG	HH	HK	HP
12	18x54	18 (457)	54-1/2 (1384)	25-1/8 (638)	52-7/8 (1343)	4 (101)	3/4 (19)	2 (50)	13/16 (20)
13	18x64	18 (457)	64-1/2 (1638)	25-1/8 (638)	62-7/8 (1597)	4 (101)	3/4 (19)	2 (50)	13/16 (20)
16	22x64	22 (558)	64-1/2 (1638)	29-1/8 (739)	62-7/8 (1597)	4-1/2 (114)	3/4 (19)	2 (50)	13/16 (20)
17	22x74	22 (558)	74-1/2 (1892)	29-1/8 (739)	72-7/8 (1851)	4-1/2 (114)	3/4 (19)	2 (50)	13/16 (20)
20	26x90	26 (660)	90-1/2 (2298)	33-1/8 (841)	88-7/8 (2257)	4-1/2 (114)	3/4 (19)	2 (50)	13/16 (20)
21	26x72	26 (660)	72-1/2 (1841)	33-1/8 (841)	70-7/8 (1800)	4-1/2 (114)	3/4 (19)	2 (50)	13/16 (20)
23	26x84	26 (660)	84-1/2 (2146)	33-1/8 (841)	82-7/8 (2105)	4-1/2 (114)	3/4 (19)	2 (50)	13/16 (20)



# MODEL 5800 ON STEEL DRIP RIM BASE



RIGHT HAND ROTATION

LEFT HAND ROTATION

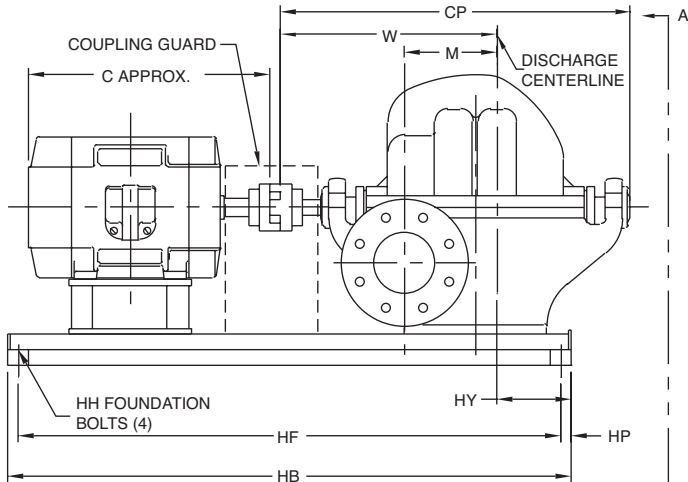
STANDARD 125# SUCTION AND DISCHARGE FLANGES				OPTIONAL 125# SUCTION FLANGE, 250# DISCHARGE FLANGE				OPTIONAL 250# SUCTION AND DISCHARGE FLANGES				MOTOR FRAME																																						
PUMP SIZE		CASE BORE	SUCTION	D	S	W	X	Z	CP	HY	YY	ZZ	C APPROX	BASE	254T	256T	284TS	284T	286TS	286T	324TS	324T	326TS	326T	364TS	364T	365TS	365T	404TS	404T	405TS	405T	444TS	444T	445TS	445T	447TS	447T	449TS	449T	449T									
DISCH	MODEL														533	584	558	609	635	635	660	660	711	736	736	762	762	838	889	863	965	914	1016	1016	1117	1117	1143	1244	1244	1244	1244	1244	1244	1244	1244	1244	1244	1244	1244	1244
3	3"5876F	10	4	10-1/2 (267)	5-1/2 (140)	16-1/2 (419)	10 (254)	5-1/2 (140)	29-3/16 (738)	7 (178)	10 (254)	1	BASE	12	12	12	12	12	12	12	12	12	12	12	12	12	12	12	12	12	12	12	12	12	12	12	12	12	12	12	12	12	12	12	12	12				
4	4"5876F	10	6	13 (330)	6-1/2 (165)	16-7/8 (428)	10-1/4 (260)	6-1/2 (165)	29-13/16 (757)	10 (254)	11 (279)	3/4	BASE	-	-	-	-	-	12	12	12	12	12	12	12	13	13	13	13	16	16	16	16	-	-	-	-	-	-	-	-	-	-	-	-	-	-			
4	4"5823F	14	5	12-1/2 (317)	7-3/8 (187)	18-3/8 (466)	13-1/2 (342)	7-3/8 (187)	33-3/16 (842)	10 (254)	14 (355)	3/4	BASE	-	12	12	12	12	12	12	12	12	-	-	-	-	-	-	-	-	-	-	-	-	-	-	-	-	-	-	-	-	-	-	-	-	-	-		
4	4"5824F	18	5	14-3/4 (374)	9-1/2 (241)	18-3/8 (466)	14 (355)	9-1/2 (241)	33-1/4 (844)	11 (279)	14 (355)	3/4	BASE	-	-	-	-	-	-	-	-	13	13	13	13	13	13	13	13	16	16	-	-	-	-	-	-	-	-	-	-	-	-	-	-	-	-			
5	5"5876F	10	8	16 (406)	8 (203)	20 (508)	12-1/2 (317)	7 (118)	35-1/2 (901)	11 (279)	13 (330)	1	BASE	12	12	13	13	13	13	13	13	13	13	13	13	13	13	13	13	13	16	16	16	16	17	17	17	17	-	-	-	-	-	-	-	-	-			
5	5"5824F	18	6	16 (406)	10 (254)	21 (533)	14 (355)	10 (254)	37-1/8 (942)	11 (279)	14 (355)	1	BASE	-	-	-	-	-	-	-	-	16	16	16	16	16	16	16	16	16	16	16	16	16	16	16	16	16	16	16	16	16	16	16	16	16	16	16	16	
6	6"5876F	10	10	18 (457)	9 (228)	20-5/8 (523)	13 (330)	7-1/2 (190)	36-3/4 (933)	11 (279)	15 (381)	1	BASE	-	-	-	-	-	-	-	-	-	-	-	-	-	-	-	16	16	16	16	16	16	16	16	17	17	17	17	17	17	17	17	17	17	17	17	17	
6	6"5823F	15	8	15-1/2 (394)	8-3/4 (222)	22-1/2 (571)	15 (381)	8-3/4 (222)	40-1/4 (1022)	13 (330)	15-1/2 (394)	1	BASE	-	-	-	-	-	13	13	13	13	13	13	13	13	13	13	13	13	13	13	13	13	13	13	13	13	13	13	13	13	13	13	13	13	13	13	13	13
8	6"5823F	15	10	17-1/2	9-1/4	22-1/2	17	9-1/4	40-1/4	13	17	1	BASE	-	-	-	-	-	-	-	16	16	16	16	16	16	16	16	16	16	16	16	16	16	16	16	16	16	16	16	16	16	16	16	16	16	16	16	16	

BASE	SIZE	HA	HB	HE	HF	HG	HH	HK	HP
12	18x54	18 (457)	54-1/2 (1384)	25-1/8 (638)	52-7/8 (1343)	4 (101)	3/4 (19)	2 (50)	13/16 (20)
13	18x64	18 (457)	64-1/2 (1638)	25-1/8 (638)	62-7/8 (1597)	4 (101)	3/4 (19)	2 (50)	13/16 (20)
16	22x64	22 (558)	64-1/2 (1638)	29-1/8 (739)	62-7/8 (1597)	4-1/2 (114)	3/4 (19)	2 (50)	13/16 (20)
17	22x74	22 (558)	74-1/2 (1892)	29-1/8 (739)	72-7/8 (1851)	4-1/2 (114)	3/4 (19)	2 (50)	13/16 (20)
18	22x82	22 (558)	82-1/2 (2095)	29-1/8 (739)	80-7/8 (2054)	4-1/2 (114)	3/4 (19)	2 (50)	13/16 (20)
20	26x90	26 (660)	90-1/2 (2298)	33-1/8 (841)	88-7/8 (2257)	4-1/2 (114)	3/4 (19)	2 (50)	13/16 (20)
21	26x72	26 (660)	72-1/2 (1841)	33-1/8 (841)	70-7/8 (1800)	4-1/2 (114)	3/4 (19)	2 (50)	13/16 (20)
23	26x84	26 (660)	84-1/2 (2146)	33-1/8 (841)	82-7/8 (2105)	4-1/2 (114)	3/4 (19)	2 (50)	13/16 (20)

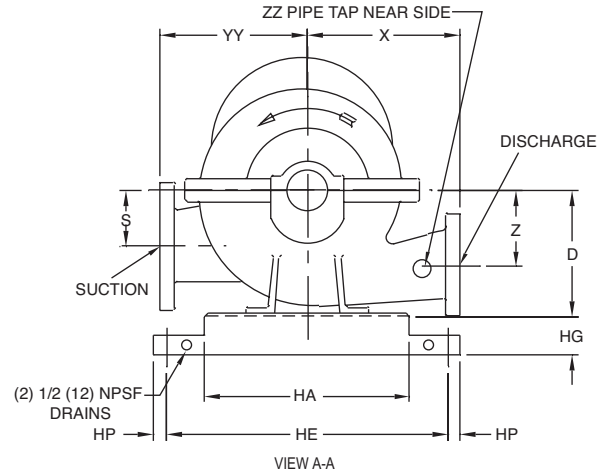
NOTES

- All dimensions are in inches.
- Dimensions may vary ± 3/8".
- Not for construction purposes unless certified.
- Coupling gap may vary 1/8" thru 3".
- Conduit box is shown in approximate location. Dimensions are not specified as they vary with each motor manufacturer.
- Suction and discharge flanges are ANSI standard flat face.
- Structural steel bases are used for pumps with motor frames larger than 449T (refer to factory)

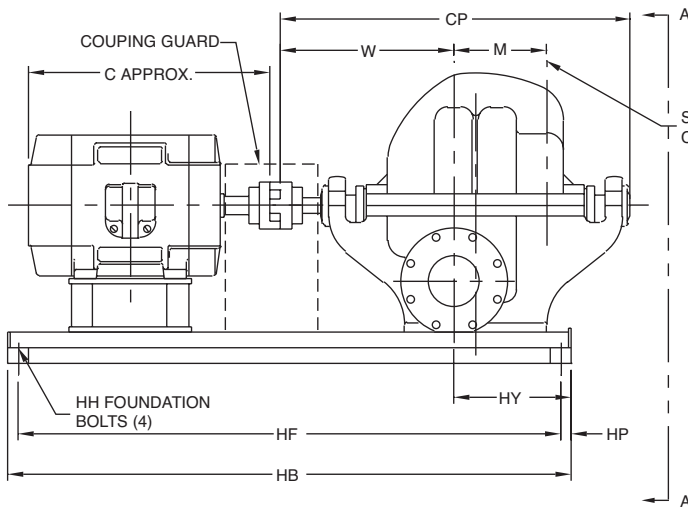
# MODEL 5900 ON STEEL DRIP RIM BASE



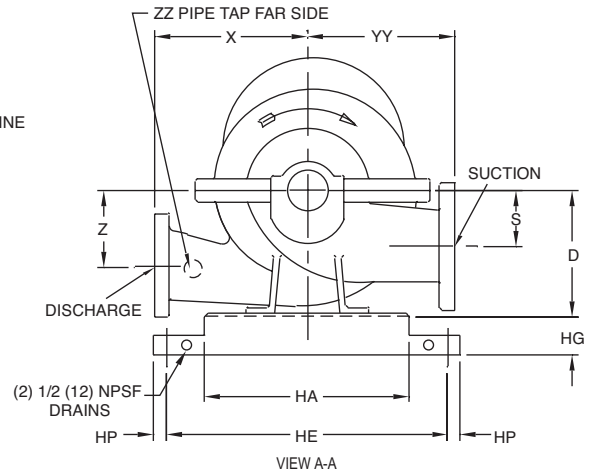
RIGHT HAND ROTATION



VIEW A-A



LEFT HAND ROTATION



VIEW A-A

PUMP SIZE	CASE	DISCH	MODEL	BORE	SUCTION	D	S	STANDARD 125# SUCTION FLANGE, 250# DISCHARGE FLANGE				OPTIONAL 250# SUCTION AND DISCHARGE FLANGE				C APPROX	MOTOR FRAME	404TS	404T	405TS	405T	444TS	444T	445TS	445T	40	40	44	45	46	
								RIGHT HAND W	LEFT HAND W	X	Z	CP	RIGHT HAND HY	LEFT HAND HY	YY																ZZ
5	495	15	6	17 (431)	9 (228)	28-3/8 (720)	23-3/8 (593)	15 (381)	9 (228)	46-7/8 (1190)	13-1/2 (342)	18-1/2 (469)	15 (381)	1 (25)	BASE	17	17	17	17	-	-	-	-	-	-	-	-	-	-	-	-
6	495	17	8	17-1/2 (444)	9 (228)	31-5/8 (803)	25-1/8 (638)	16-1/2 (419)	10-1/2 (266)	52-1/2 (1333)	12-3/4 (3238)	19-1/4 (488)	16-1/2 (419)	1 (25)	BASE	-	-	-	-	23	23	23	23	24	24	24	24	24	24	24	

BASE	HA	HB	HE	HG	HH	HF	HP
17	22 (558)	84 (2133)	19 (482)	4 (101)	5/8 (15)	82 (2082)	1 (25)
23	26 (660)	84 (2133)	23 (584)	4-1/2 (114)	5/8 (15)	82 (2082)	1 (25)
24	26 (660)	96 (2438)	23 (584)	4-1/2 (114)	5/8 (15)	94 (2387)	1 (25)

NOTES

1. All dimensions are in inches.
2. Dimensions may vary  $\pm 3/8"$ .
3. Not for construction purposes unless certified.
4. Coupling gap may vary 1/8" thru 3".
5. Conduit box is shown in approximate location. Dimensions are not specified as they vary with each motor manufacturer.
6. Suction and discharge flanges are ANSI standard flat face.

PAGE INTENTIONALLY LEFT BLANK



**800 Airport Road | North Aurora, Illinois 60542 | Ph: 630.859.7000 | [pentair.com](http://pentair.com)**

All indicated Pentair trademarks and logos are property of Pentair. Third party registered and unregistered trademarks and logos are the property of their respective owners. Because we are continuously improving our products and services, Pentair reserves the right to change specifications without prior notice. Pentair is an equal opportunity employer.

©2021 Pentair. All Rights Reserved.

FN-01-10-912-201-274 (09-01-2021)