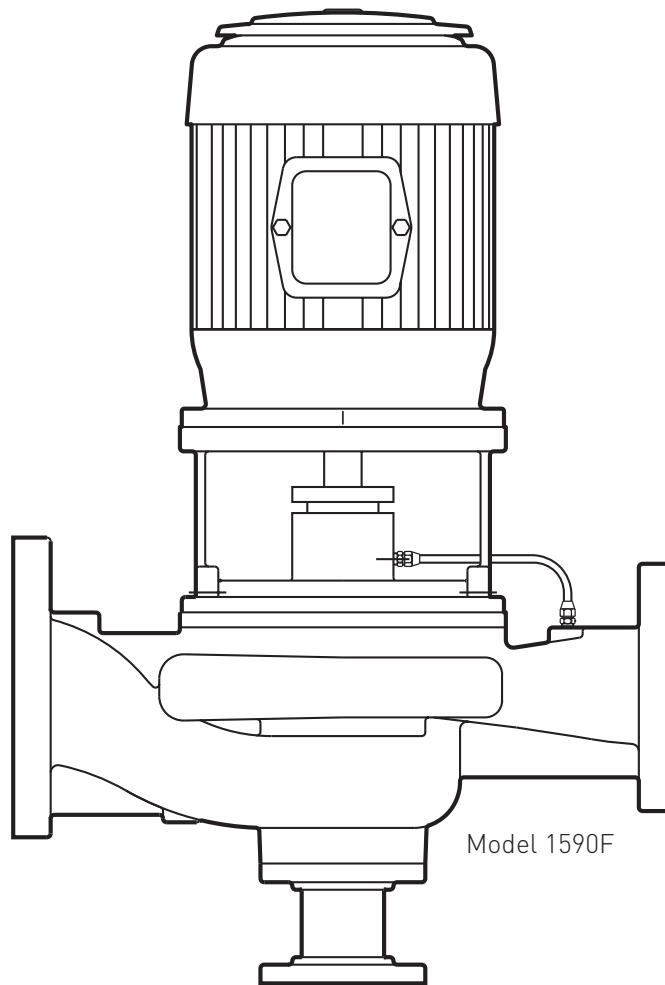




FAIRBANKS NIJHUIS™

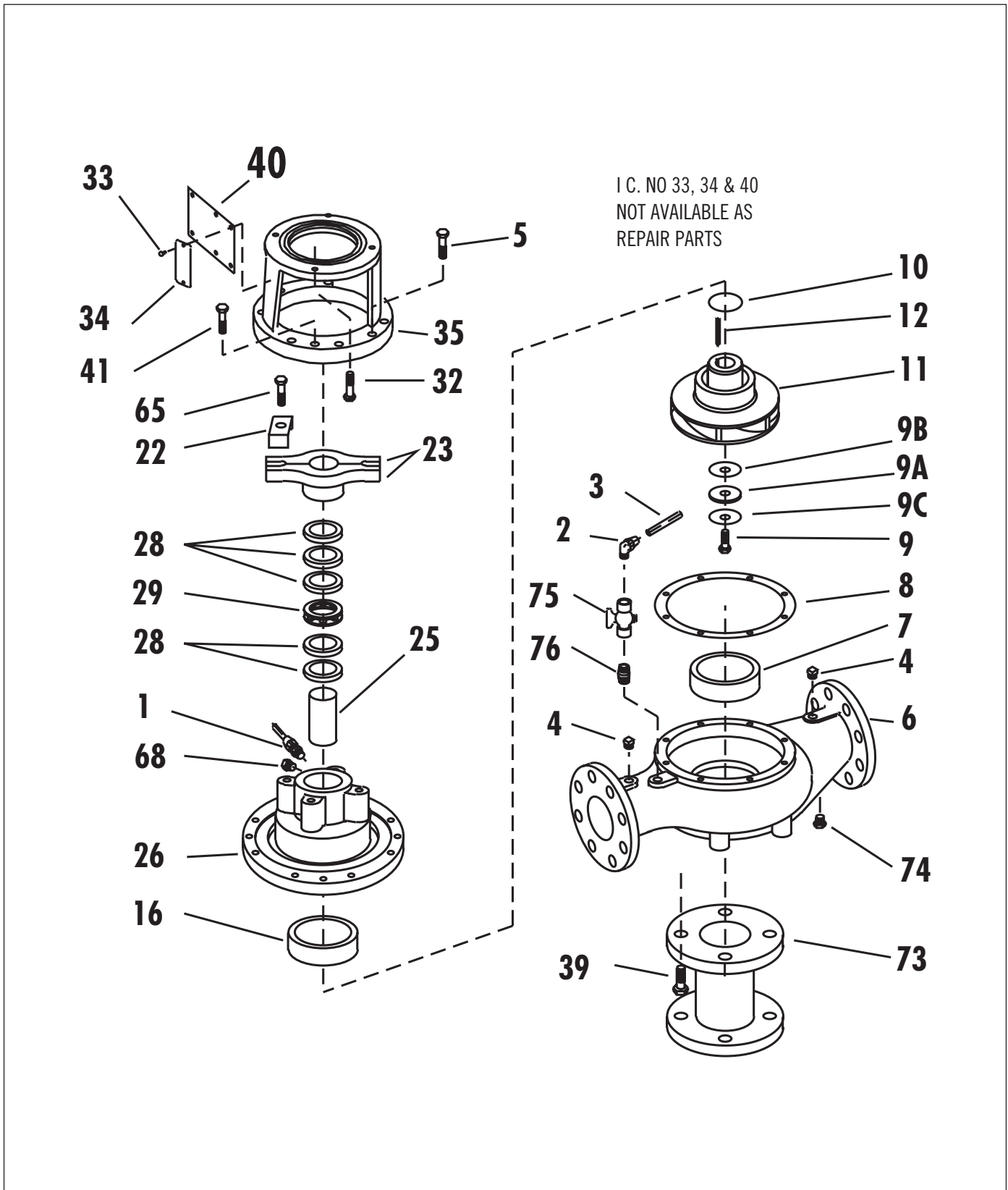


1590F SERIES SINGLE STAGE INLINE FIRE PUMP

REPAIR PARTS INDEX

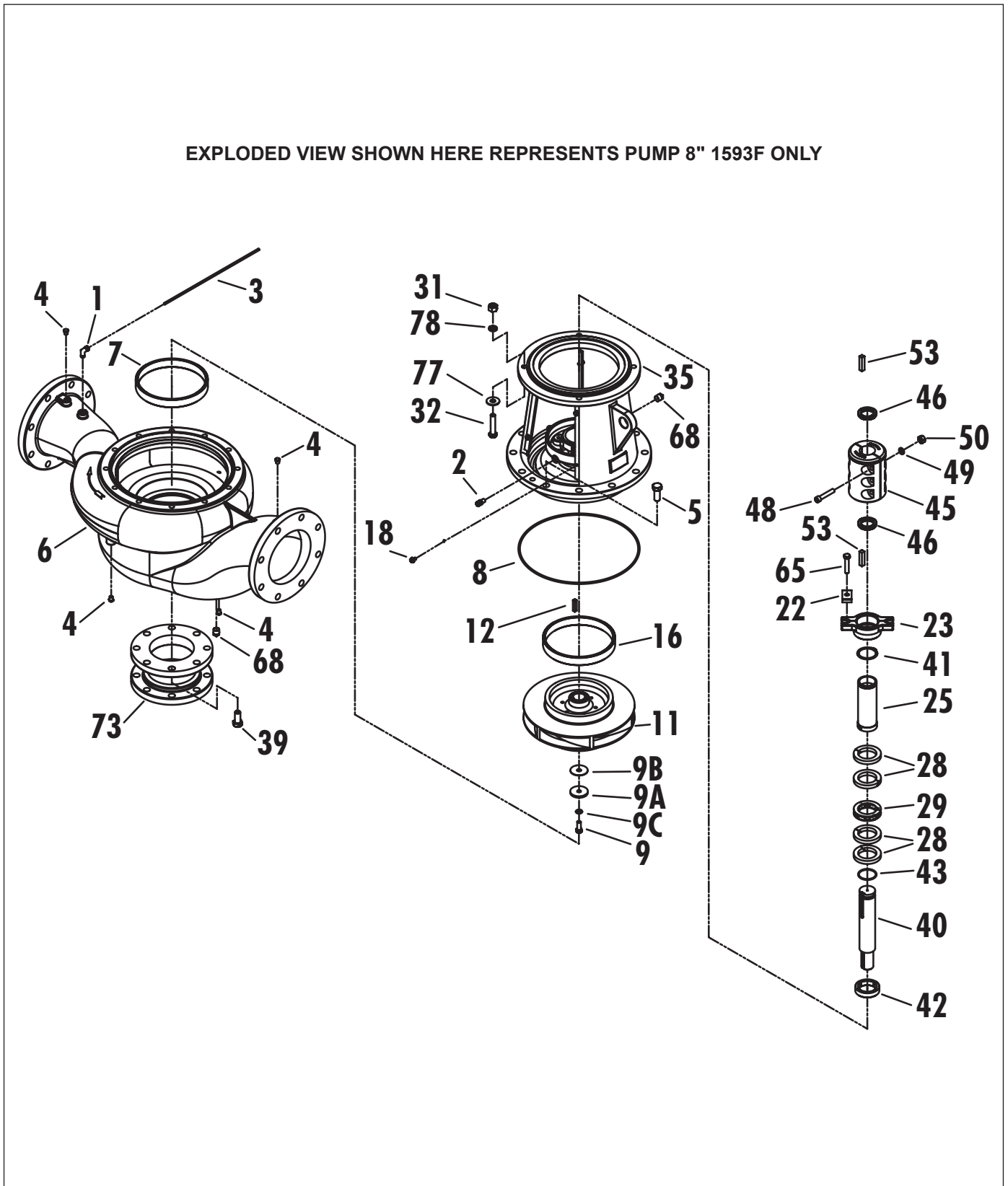
NOTE! To the installer: Please make sure you provide this manual to the owner of the equipment or to the responsible party who maintains the system.

MODEL 1590F



MODEL 8" 1593F

EXPLODED VIEW SHOWN HERE REPRESENTS PUMP 8" 1593F ONLY



PARTS LIST:

Pc. No.	Description	Qty.	Pump Size		
			3" 1591AF Part Number	3" 1591BF Part Number	4" 1591BF Part Number
1	COMPRESSION FITTING	1	868-3359-190	868-3359-190	868-3359-190
2	COMPRESSION ELBOW	1	868-3360-190	868-3360-190	868-3360-190
3	TUBING (10 INCHES LONG)	1	872-0124-175	872-0124-175	872-0124-175
4	PIPE PLUG	4	600-0002-087	600-0002-087	600-0002-087
5	CAPSCREW (143JP – 184JP FRAMES)	8	168-0391-082	168-0391-082	168-0391-082
	CAPSCREW (213JP – 256JP FRAMES)	8	168-0389-082	168-0389-082	168-0389-082
	CAPSCREW (284JP – 326JP FRAMES)	8	168-0391-082	168-0391-082	168-0391-082
6	CASING – 125#SUCTION/250#DISCHARGE	1	N/A	N/A	N/A
	CASING – 125#SUCTION/125#DISCHARGE	1	180-2560-010	180-2560-010	180-2561-010
	CASING – 250#SUCTION/250#DISCHARGE	1	N/A	N/A	N/A
7	FRONT CASE WEAR RING	1	676-1152-208	676-1152-208	676-1154-208
8	CASING GASKET	1	364-1014-603	364-1014-603	364-1014-603
9	IMPELLER CAPSCREW – SM BORE	1	168-0382-104	N/A	N/A
	IMPELLER CAPSCREW – LG BORE	1	168-0490-104	168-0490-104	168-0490-104
9A	IMPELLER WASHER – SM BORE	1	908-0603-104	N/A	N/A
	IMPELLER WASHER – LG BORE	1	908-0604-101	908-0604-101	908-0604-101
9B	IMPELLER GASKET – SM BORE	1	364-2034-603	N/A	N/A
	IMPELLER GASKET – LG BORE	1	364-2035-603	364-2035-603	364-2035-603
9C	IMPELLER SEAL – SM BORE	1	908-1290-118	N/A	N/A
	IMPELLER SEAL – LG BORE	1	908-1292-118	908-1292-118	908-1292-118
10	SLEEVE GASKET – SM BORE	1	364-0409-457	N/A	N/A
	SLEEVE GASKET – LG BORE	1	364-0414-457	364-0414-457	364-0414-457
11	IMPELLER – SM BORE	1	443-2034-225	N/A	N/A
	IMPELLER – LG BORE	1	443-2035-225	443-0419-225	443-0472-225
12	IMPELLER KEY – SM BORE	1	472-0201-087	N/A	N/A
	IMPELLER KEY – LG BORE	1	472-0247-087	472-0247-087	472-0247-087
16	BACK CASE WEAR RING – SM BORE	1	676-0003-208	N/A	N/A
	BACK CASE WEAR RING – LG BORE	1	676-1148-208	676-1148-208	676-1148-208
22	GLAND CLAMP	2	204-0116-360	204-0116-360	204-0116-360
23	PACKING GLAND – SM BORE	1	372-0376-208	N/A	N/A
	PACKING GLAND – LG BORE	1	372-0377-208	372-0377-208	372-0377-208
25	SHAFT SLEEVE – SM BORE	1	756-0517-208	N/A	N/A
	SHAFT SLEEVE – LG BORE	1	756-0524-208	756-0524-208	756-0524-208
26	PACKING COVER – SM SHAFT	1	812-1102-010	N/A	N/A
	PACKING COVER – LG SHAFT	1	812-1103-010	812-1103-010	812-1103-010
28	PACKING – SM BORE	6	564-0113-802	N/A	N/A
	PACKING – LG BORE	6	564-0110-802	564-0110-802	564-0110-802
29	LANTERN RING – SM BORE	1	676-0008-512	N/A	N/A
	LANTERN RING – LG BORE	1	676-0009-512	676-0009-512	676-0009-512
32	CAPSCREW (143JP – 184JP FRAMES)	4	168-0386-082	N/A	N/A
	CAPSCREW (213JP – 256JP FRAMES)	4	168-0492-082	168-0492-082	168-0492-082
	CAPSCREW (284JP – 326JP FRAMES)	4	168-0566-082	168-0566-082	168-0566-082
35	BRACKET (143JP – 184JP FRAMES)	1	116-0530-010	N/A	N/A
	BRACKET (213JP – 256JP FRAMES)	1	116-0531-010	116-0531-010	116-0531-010
	BRACKET (284JP – 326JP FRAMES)	1	116-0532-010	116-0532-010	116-0532-010
39	CAPSCREW	4	168-0560-082	168-0560-082	168-0560-082
41	CAPSCREW (143JP – 184JP FRAMES)	4	168-0385-082	N/A	N/A
	CAPSCREW (213JP – 256JP FRAMES)	4	168-0381-082	168-0381-082	168-0381-082
	CAPSCREW (284JP – 326JP FRAMES)	4	168-0383-082	168-0383-082	168-0383-082
65	CAPSCREW	2	168-0496-190	168-0496-190	168-0496-190
68	PIPE PLUG	1	600-0002-087	600-0002-087	600-0002-087
73	PUMP SUPPORT	1	820-1728-087	820-1728-087	820-1728-087
74	PIPE PLUG	1	600-0004-028	600-0004-028	600-0004-028
75	BALL VALVE	1	896-4360-644	896-4360-644	896-4360-644
76	NIPPLE	1	600-1103-387	600-1103-387	600-1103-387

SM BORE = MOTOR FRAME 143JP – 184JP
LG BORE = MOTOR FRAME 213JP – 326JP

N/A = NOT AVAILABLE
N/R = NOT REQUIRED

PARTS LIST:

Pc. No.	Description	Qty.	Pump Size		
			2" 1591CF Part Number	3" 1592AF Part Number	3" 1593F Part Number
1	COMPRESSION FITTING	1	868-3359-190	868-3359-190	868-3359-190
2	COMPRESSION ELBOW	1	868-3360-190	868-3360-190	868-3360-190
3	TUBING (10 INCHES LONG)	1	872-0124-175	872-0124-175	872-0124-175
4	PIPE PLUG	4	600-0002-087	600-0002-087	600-0002-087
5	CAPSCREW (143JP – 184JP FRAMES)	8	168-0489-082	168-0489-082	168-0489-082
	CAPSCREW (213JP – 326JP FRAMES)	8	168-0495-082	168-0495-082	168-0495-082
6	CASING – 125#SUCTION/250#DISCHARGE	1	180-2526-010	180-2525-010	180-2527-010
	CASING – 125#SUCTION/125#DISCHARGE	1	180-2517-010	180-2523-010	180-2518-010
	CASING – 250#SUCTION/250#DISCHARGE	1	180-2520-010	180-2524-010	180-2521-010
7	FRONT CASE WEAR RING	1	676-1151-208	676-1152-208	676-2104-208
8	CASING GASKET	1	364-1015-603	364-1015-603	364-1015-603
9	IMPELLER CAPSCREW – SM BORE	1	168-0382-104	168-0382-104	168-0382-104
	IMPELLER CAPSCREW – LG BORE	1	168-0490-104	168-0490-104	168-0490-104
9A	IMPELLER WASHER – SM BORE	1	908-0603-104	908-0603-104	908-0603-104
	IMPELLER WASHER – LG BORE	1	908-0604-101	908-0604-101	908-0604-101
9B	IMPELLER GASKET – SM BORE	1	364-2034-603	364-2034-603	364-2034-603
	IMPELLER GASKET – LG BORE	1	364-2035-603	364-2035-603	364-2035-603
9C	IMPELLER SEAL – SM BORE	1	908-1290-118	908-1290-118	908-1290-118
	IMPELLER SEAL – LG BORE	1	908-1292-118	908-1292-118	908-1292-118
10	SLEEVE GASKET – SM BORE	1	364-0409-457	364-0409-457	364-0409-457
	SLEEVE GASKET – LG BORE	1	364-0414-457	364-0414-457	364-0414-457
11	IMPELLER – SM BORE	1	443-0437-225	443-0441-225	443-2748-225
	IMPELLER – LG BORE	1	443-0439-225	443-0443-225	443-2749-225
12	IMPELLER KEY – SM BORE	1	472-0206-087	472-0206-087	472-0206-087
	IMPELLER KEY – LG BORE	1	472-0247-087	472-0247-087	472-0247-087
16	BACK CASE WEAR RING – SM BORE	1	N/R	676-0003-208	N/R
	BACK CASE WEAR RING – LG BORE	1	N/R	676-1148-208	676-1149-208
22	GLAND CLAMP	2	204-0116-360	204-0116-360	204-0116-360
23	PACKING GLAND – SM BORE	1	372-0376-208	372-0376-208	372-0376-208
	PACKING GLAND – LG BORE	1	372-0377-208	372-0377-208	372-0377-208
25	SHAFT SLEEVE – SM BORE	1	756-0517-208	756-0517-208	756-0517-208
	SHAFT SLEEVE – LG BORE	1	756-0524-208	756-0524-208	756-0524-208
26	PACKING COVER – SM SHAFT	1	812-1095-010	812-1095-010	812-1095-010
	PACKING COVER – LG SHAFT	1	812-1096-010	812-1096-010	812-1096-010
28	PACKING – SM BORE	6	564-0113-802	564-0113-802	564-0113-802
	PACKING – LG BORE	6	564-0110-802	564-0110-802	564-0110-802
29	LANTERN RING – SM BORE	1	676-0008-512	676-0008-512	676-0008-512
	LANTERN RING – LG BORE	1	676-0009-512	676-0009-512	676-0009-512
32	CAPSCREW (143JP – 184JP FRAMES)	4	168-0384-080	168-0384-080	168-0384-080
	CAPSCREW (213JP – 256JP FRAMES)	4	168-0492-082	168-0492-082	168-0492-082
	CAPSCREW (284JP – 326JP FRAMES)	4	168-0564-082	168-0564-082	168-0564-082
35	BRACKET (143JP – 184JP FRAMES)	1	116-0078-010	116-0078-010	116-0078-010
	BRACKET (213JP – 256JP FRAMES)	1	116-0503-010	116-0503-010	116-0503-010
	BRACKET (284JP – 326JP FRAMES)	1	116-0504-010	116-0504-010	116-0504-010
39	CAPSCREW	4	168-0560-082	168-0560-082	168-0560-082
41	CAPSCREW (143JP – 184JP FRAMES)	8	168-0382-082	168-0382-082	168-0382-082
	CAPSCREW (213JP – 326JP FRAMES)	4	168-0487-082	168-0487-082	168-0487-082
65	CAPSCREW	2	168-0496-190	168-0496-190	168-0496-190
68	PIPE PLUG	1	600-0002-087	600-0002-087	600-0002-087
73	PUMP SUPPORT	1	820-1727-087	820-1728-087	820-1728-087
74	PIPE PLUG	1	600-0004-028	600-0004-028	600-0004-028
75	BALL VALVE	1	896-4360-644	896-4360-644	896-4360-644
76	NIPPLE	1	600-1103-387	600-1103-387	600-1103-387

SM BORE = MOTOR FRAME 143JP – 184JP N/A = NOT AVAILABLE
 LG BORE = MOTOR FRAME 213JP – 326JP N/R = NOT REQUIRED

PARTS LIST:

Pc. No.	Description	Qty.	Pump Size		
			3" 1591CF Part Number	3" 1593BF Part Number	4" 1591CF Part Number
1	COMPRESSION FITTING	1	868-3359-190	868-3359-190	868-3359-190
2	COMPRESSION ELBOW	1	868-3360-190	868-3360-190	868-3360-190
3	TUBING (10 INCHES LONG)	1	872-0124-175	872-0124-175	872-0124-175
4	PIPE PLUG	4	600-0002-104	600-0002-104	600-0002-104
5	CAPSCREW (143JP – 184JP FRAMES)	8	N/A	N/A	N/A
	CAPSCREW (213JP – 256JP FRAMES)	8	168-0391-082	N/A	N/A
	CAPSCREW (284JP – 326JP FRAMES)	8	N/A	168-0497-082	168-0391-082
6	CASING – 125#SUCTION/250#DISCHARGE	1	N/A	N/A	N/A
	CASING – 125#SUCTION/125#DISCHARGE	1	180-2750-055	180-2751-055	180-2561-010
	CASING – 250#SUCTION/250#DISCHARGE	1	N/A	N/A	N/A
7	FRONT CASE WEAR RING	1	676-2153-208	676-2153-208	676-1154-208
8	CASING GASKET	1	364-1014-603	364-1015-603	364-1014-603
9	IMPELLER CAPSCREW – SM BORE	1	N/A	N/A	N/A
	IMPELLER CAPSCREW – LG BORE	1	168-0490-104	168-0490-104	168-0490-104
9A	IMPELLER WASHER – SM BORE	1	N/A	N/A	N/A
	IMPELLER WASHER – LG BORE	1	908-0604-101	908-0604-101	908-0604-101
9B	IMPELLER GASKET – SM BORE	1	N/A	N/A	N/A
	IMPELLER GASKET – LG BORE	1	364-2035-603	364-2035-603	364-2035-603
9C	IMPELLER SEAL – SM BORE	1	N/A	N/A	N/A
	IMPELLER SEAL – LG BORE	1	908-1292-118	908-1292-118	908-1292-118
10	SLEEVE GASKET – SM BORE	1	N/A	N/A	N/A
	SLEEVE GASKET – LG BORE	1	364-0414-457	364-0414-457	364-0414-457
11	IMPELLER – SM BORE	1	N/A	N/A	N/A
	IMPELLER – LG BORE	1	444-3168-208	444-3169-208	444-3167-208
12	IMPELLER KEY – SM BORE	1	N/A	N/A	N/A
	IMPELLER KEY – LG BORE	1	472-0247-087	472-0247-087	472-0247-087
16	BACK CASE WEAR RING – SM BORE	1	N/A	N/A	N/A
	BACK CASE WEAR RING – LG BORE	1	676-1148-208	676-1149-208	676-1148-208
22	GLAND CLAMP	2	204-0116-104	204-0116-104	204-0116-104
23	PACKING GLAND – SM BORE	1	N/A	N/A	N/A
	PACKING GLAND – LG BORE	1	372-0377-208	372-0377-208	372-0377-208
25	SHAFT SLEEVE – SM BORE	1	N/A	N/A	N/A
	SHAFT SLEEVE – LG BORE	1	756-0524-208	756-0524-208	756-0524-208
26	PACKING COVER – SM SHAFT	1	N/A	N/A	N/A
	PACKING COVER – LG SHAFT	1	812-1103-010	812-1096-010	812-1103-010
28	PACKING – SM BORE	6	N/A	N/A	N/A
	PACKING – LG BORE	6	564-0110-802	564-0110-802	564-0110-802
29	LANTERN RING – SM BORE	1	N/A	N/A	N/A
	LANTERN RING – LG BORE	1	676-0009-512	676-0009-512	676-0009-512
32	CAPSCREW (143JP – 184JP FRAMES)	4	N/A	N/A	N/A
	CAPSCREW (213JP – 256JP FRAMES)	4	168-0492-082	N/A	N/A
	CAPSCREW (284JP – 326JP FRAMES)	4	N/A	168-0562-082	168-0562-082
35	BRACKET (143JP – 184JP FRAMES)	1	N/A	N/A	N/A
	BRACKET (213JP – 256JP FRAMES)	1	116-0531-010	N/A	N/A
	BRACKET (284JP – 326JP FRAMES)	1	N/A	116-0504-010	116-0532-010
39	CAPSCREW	4	168-0560-082	168-0560-082	168-0560-082
41	CAPSCREW (143JP – 184JP FRAMES)	4	N/A	N/A	N/A
	CAPSCREW (213JP – 256JP FRAMES)	4	168-0385-082	N/A	N/A
	CAPSCREW (284JP – 326JP FRAMES)	4	N/A	168-0489-082	168-0385-082
65	CAPSCREW	2	168-0496-190	168-0496-190	168-0496-190
68	PIPE PLUG	1	600-0002-104	600-0002-104	600-0002-104
73	PUMP SUPPORT	1	820-1728-087	820-1728-087	820-1728-087
74	PIPE PLUG	1	600-0004-104	600-0004-104	600-0004-104
75	BALL VALVE	1	896-4360-644	896-4360-644	896-4360-644
76	NIPPLE	1	600-1103-387	600-1103-387	600-1103-387

SM BORE = MOTOR FRAME 143JP – 184JP
LG BORE = MOTOR FRAME 213JP – 326JPN/A = NOT AVAILABLE
N/R = NOT REQUIRED

PARTS LIST:

Pc. No.	Description	Qty.	Pump Size		
			4" 1592F Part Number	4" 1593BF Part Number	4" 1593CF Part Number
1	COMPRESSION FITTING	1	868-3359-190	868-3359-190	868-3359-190
2	COMPRESSION ELBOW	1	868-3360-190	868-3360-190	868-3360-190
3	TUBING (10 INCHES LONG)	1	872-0124-175	872-0124-175	872-0124-175
4	PIPE PLUG	4	600-0002-087	600-0002-087	600-0002-087
5	CAPSCREW (143JP – 184JP FRAMES)	8	168-0489-082	168-0489-082	168-0489-082
	CAPSCREW (213JP – 326JP FRAMES)	8	168-0495-082	168-0495-082	168-0495-082
6	CASING – 125#SUCTION/250#DISCHARGE	1	180-2528-010	180-2528-010	N/A
	CASING – 125#SUCTION/125#DISCHARGE	1	180-2519-010	180-2519-010	180-2563-010
	CASING – 250#SUCTION/250#DISCHARGE	1	180-2522-010	180-2522-010	N/A
7	FRONT CASE WEAR RING	1	676-1154-208	676-2115-208	676-2115-208
8	CASING GASKET	1	364-1015-603	364-1015-603	364-1015-603
9	IMPELLER CAPSCREW – SM BORE	1	168-0382-104	N/A	N/A
	IMPELLER CAPSCREW – LG BORE	1	168-0490-104	168-0490-104	168-0490-104
9A	IMPELLER WASHER – SM BORE	1	908-0603-104	N/A	N/A
	IMPELLER WASHER – LG BORE	1	908-0604-101	908-0604-101	908-0604-101
9B	IMPELLER GASKET – SM BORE	1	364-2034-603	N/A	N/A
	IMPELLER GASKET – LG BORE	1	364-2035-603	364-2035-603	364-2035-603
9C	IMPELLER SEAL – SM BORE	1	908-1290-118	N/A	N/A
	IMPELLER SEAL – LG BORE	1	908-1292-118	908-1292-118	908-1292-118
10	SLEEVE GASKET – SM BORE	1	364-0409-457	N/A	N/A
	SLEEVE GASKET – LG BORE	1	364-0414-457	364-0414-457	364-0414-457
11	IMPELLER – SM BORE	1	443-2750-225	N/A	N/A
	IMPELLER – LG BORE	1	443-2751-225	443-2957-225	443-2962-225
12	IMPELLER KEY – SM BORE	1	472-0206-087	N/A	N/A
	IMPELLER KEY – LG BORE	1	472-0247-087	472-0247-087	472-0247-087
16	BACK CASE WEAR RING – SM BORE	1	N/R	N/A	N/A
	BACK CASE WEAR RING – LG BORE	1	676-1149-208	676-1149-208	676-1148-208
22	GLAND CLAMP	2	204-0116-360	204-0116-360	204-0116-360
23	PACKING GLAND – SM BORE	1	372-0376-208	N/A	N/A
	PACKING GLAND – LG BORE	1	372-0377-208	372-0377-208	372-0377-208
25	SHAFT SLEEVE – SM BORE	1	756-0517-208	N/A	N/A
	SHAFT SLEEVE – LG BORE	1	756-0524-208	756-0524-208	756-0524-208
26	PACKING COVER – SM SHAFT	1	812-1095-010	N/A	N/A
	PACKING COVER – LG SHAFT	1	812-1096-010	812-1096-010	812-1096-010
28	PACKING – SM BORE	6	564-0113-802	N/A	N/A
	PACKING – LG BORE	6	564-0110-802	564-0110-802	564-0110-802
29	LANTERN RING – SM BORE	1	676-0008-512	N/A	N/A
	LANTERN RING – LG BORE	1	676-0009-512	676-0009-512	676-0009-512
32	CAPSCREW (143JP – 184JP FRAMES)	4	168-0384-080	N/A	N/A
	CAPSCREW (213JP – 256JP FRAMES)	4	168-0492-082	168-0492-082	168-0492-082
	CAPSCREW (284JP – 326JP FRAMES)	4	168-0564-082	168-0564-082	168-0564-082
35	BRACKET (143JP – 184JP FRAMES)	1	116-0078-010	N/A	N/A
	BRACKET (213JP – 256JP FRAMES)	1	116-0503-010	116-0503-010	116-0503-010
	BRACKET (284JP – 326JP FRAMES)	1	116-0504-010	116-0504-010	116-0504-010
39	CAPSCREW	4	168-0560-082	168-0560-082	168-0560-082
41	CAPSCREW (143JP – 184JP FRAMES)	8	168-0382-082	N/A	N/A
	CAPSCREW (213JP – 326JP FRAMES)	4	168-0487-082	168-0487-082	168-0487-082
65	CAPSCREW	2	168-0496-190	168-0496-190	168-0496-190
68	PIPE PLUG	1	600-0002-087	600-0002-087	600-0002-087
73	PUMP SUPPORT	1	820-1728-087	820-1728-087	820-1728-087
74	PIPE PLUG	1	600-0004-028	600-0004-028	600-0004-028
75	BALL VALVE	1	896-4360-387	896-4360-387	896-4360-387
76	NIPPLE	1	600-1103-387	600-1103-387	600-1103-387

SM BORE = MOTOR FRAME 143JP – 184JP N/A = NOT AVAILABLE
 LG BORE = MOTOR FRAME 213JP – 326JP N/R = NOT REQUIRED

PARTS LIST:

Pc. No.	Description	Qty.	Pump Size		
			4" 1594F Part Number	4" 1594BF Part Number	4" 1593F Part Number
1	COMPRESSION FITTING	1	868-3359-190	868-3359-190	868-3359-190
2	COMPRESSION ELBOW	1	868-3360-190	868-3360-190	868-3360-190
3	TUBING (10 INCHES LONG)	1	872-0124-175	872-0124-175	872-0124-175
4	PIPE PLUG	4	600-0002-087	600-0002-087	600-0002-087
5	CAPSCREW (284JP – 326JP FRAMES)	8	168-0495-082	168-0495-082	168-0495-082
	CAPSCREW (364JP – 365JP FRAMES)	8	168-0495-082	168-0495-082	168-0493-082
6	CASING – 125#SUCTION/250#DISCHARGE	1	180-2556-010	180-2587-010	N/A
	CASING – 125#SUCTION/125#DISCHARGE	1	180-2554-010	180-2585-010	180-2557-010
	CASING – 250#SUCTION/250#DISCHARGE	1	180-2555-010	180-2586-010	N/A
7	FRONT CASE WEAR RING	1	676-2113-208	676-2117-208	676-2114-208
8	CASING GASKET	1	364-2128-603	364-2128-603	364-2129-603
9	IMPELLER CAPSCREW – LG BORE	1	168-0490-104	168-0490-104	168-0490-104
	IMPELLER CAPSCREW – X LG BORE	1	168-0490-104	168-0490-104	168-0490-104
9A	IMPELLER WASHER – LG BORE	1	908-0604-101	908-0604-101	908-0604-101
	IMPELLER WASHER – X LG BORE	1	908-1326-104	908-1326-104	908-1326-104
9B	IMPELLER GASKET – LG BORE	1	364-2035-603	364-2035-603	364-2035-603
	IMPELLER GASKET – X LG BORE	1	364-2046-603	364-2046-603	364-2046-603
9C	IMPELLER SEAL – LG BORE	1	908-1292-118	908-1292-118	908-1292-118
	IMPELLER SEAL – X LG BORE	1	908-1292-118	908-1292-118	908-1292-118
10	SLEEVE GASKET – LG BORE	1	364-0414-457	364-0414-457	364-0414-457
	SLEEVE GASKET – X LG BORE	1	364-0419-457	364-0419-457	364-0419-457
11	IMPELLER – LG BORE	1	443-2955-225	443-2964-225	443-2953-225
	IMPELLER – X LG BORE	1	443-2956-225	443-2965-225	443-2954-225
12	IMPELLER KEY – LG BORE	1	472-0247-087	472-0247-087	472-0247-087
	IMPELLER KEY – X LG BORE	1	472-0318-087	472-0318-087	472-0318-087
16	BACK CASE WEAR RING – LG BORE	1	676-1149-208	676-1149-208	676-1149-208
	BACK CASE WEAR RING – X LG BORE	1	676-1149-208	676-1149-208	676-1149-208
22	GLAND CLAMP	2	204-0116-360	204-0116-360	204-0116-360
23	PACKING GLAND – LG BORE	1	372-0377-208	372-0377-208	372-0377-208
	PACKING GLAND – X LG BORE	1	372-0544-208	372-0544-208	372-0544-208
25	SHAFT SLEEVE – LG BORE	1	756-0524-208	756-0524-208	756-0524-208
	SHAFT SLEEVE – X LG BORE	1	756-0687-208	756-0687-208	756-0687-208
26	PACKING COVER – LG BORE	1	812-1101-010	812-1101-010	812-1099-010
	PACKING COVER – X LG BORE	1	812-1100-010	812-1100-010	812-1098-010
28	PACKING – LG BORE	6	564-0110-802	564-0110-802	564-0110-802
	PACKING – X LG BORE	6	564-0154-802	564-0154-802	564-0154-802
29	LANTERN RING – LG BORE	1	676-0009-512	676-0009-512	676-0009-512
	LANTERN RING – X LG BORE	1	676-0972-512	676-0972-512	676-0972-512
32	CAPSCREW (284JP – 365JP FRAMES)	4	168-0564-082	168-0564-082	168-0564-082
35	BRACKET (284JP – 326JP FRAMES)	1	116-0524-010	116-0524-010	116-0524-010
	BRACKET (364JP – 365JP FRAMES)	1	116-0524-010	116-0524-010	116-0524-010
39	CAPSCREW	4	168-0560-082	168-0560-082	168-0560-082
41	CAPSCREW (284JP – 365JP FRAMES)	4	168-0490-082	168-0490-082	168-0490-082
65	CAPSCREW	2	168-0496-190	168-0496-190	168-0496-190
68	PIPE PLUG	1	600-0002-087	600-0002-087	600-0002-087
73	PUMP SUPPORT	1	820-1754-087	820-1754-087	820-1754-087
74	PIPE PLUG	1	600-0004-028	600-0004-028	600-0004-028
75	BALL VALVE	1	896-4360-644	896-4360-644	896-4360-644
76	NIPPLE	1	600-1103-387	600-1103-387	600-1103-387

SM BORE = MOTOR FRAME 143JP – 184JP
 LG BORE = MOTOR FRAME 213JP – 326JP

N/A = NOT AVAILABLE
 N/R = NOT REQUIRED

PARTS LIST:

Pc. No.	Description	Qty.	Pump Size	
			8" 1595F Part Number	8" 1595AF Part Number
1	COMPRESSION FITTING	1	868-3359-190	868-3359-190
2	COMPRESSION ELBOW	1	868-3360-190	868-3360-190
3	TUBING (10 INCHES LONG)	1	872-0124-175	872-0124-175
4	PIPE PLUG	4	600-0002-104	600-0002-104
5	CAPSCREW (364 – 405 TCZ FRAMES)	12	168-0642-082	168-0642-082
	CAPSCREW (444 & LARGER FRAMES)	12	168-0642-082	168-0642-082
6	CASING – 125#SUCTION/250#DISCHARGE	1	N/A	N/A
	CASING – 125#SUCTION/125#DISCHARGE	1	180-2755-055	180-2755-055
	CASING – 250#SUCTION/250#DISCHARGE	1	N/A	N/A
7	FRONT CASE WEAR RING	1	676-2036-222	676-2036-222
8	CASING GASKET	1	364-7529-603	364-7529-603
9	IMPELLER CAPSCREW – LG BORE	1	N/A	N/A
	IMPELLER CAPSCREW – X LG BORE	1	168-0492-104	168-0492-104
9A	IMPELLER WASHER – LG BORE	1	N/A	N/A
	IMPELLER WASHER – X LG BORE	1	908-1326-104	908-1326-104
9B	IMPELLER GASKET – LG BORE	1	N/A	N/A
	IMPELLER GASKET – X LG BORE	1	364-2046-603	364-2046-603
9C	IMPELLER SEAL – LG BORE	1	N/A	N/A
	IMPELLER SEAL – X LG BORE	1	908-1292-118	908-1292-118
10	SLEEVE GASKET – LG BORE	1	N/A	N/A
	SLEEVE GASKET – X LG BORE	1	364-0419-457	364-0419-457
11	IMPELLER – LG BORE	1	N/A	N/A
	IMPELLER – X LG BORE	1	444-3177-208	444-3178-208
12	IMPELLER KEY – LG BORE	1	N/A	N/A
	IMPELLER KEY – X LG BORE	1	472-0318-087	472-0318-087
16	BACK CASE WEAR RING – LG BORE	1	N/A	N/A
	BACK CASE WEAR RING – X LG BORE	1	676-2036-222	676-2036-222
22	GLAND CLAMP	2	204-0116-104	204-0116-104
23	PACKING GLAND – LG BORE	1	N/A	N/A
	PACKING GLAND – X LG BORE	1	372-0544-208	372-0544-208
25	SHAFT SLEEVE – LG BORE	1	N/A	N/A
	SHAFT SLEEVE – X LG BORE	1	756-0687-208	756-0687-208
26	PACKING COVER – LG SHAFT	1	N/A	N/A
	PACKING COVER – X LG SHAFT	1	812-1115-010	812-1115-010
28	PACKING – LG BORE	6	N/A	N/A
	PACKING – X LG BORE	6	564-0154-802	564-0154-802
29	LANTERN RING – LG BORE	1	N/A	N/A
	LANTERN RING – X LG BORE	1	676-0972-512	676-0972-512
32	CAPSCREW (364 – 405 TCZ FRAMES)	4	168-0564-082	168-0564-082
	CAPSCREW (444 & LARGER FRAMES)	8	168-0564-082	168-0564-082
35	BRACKET (364 – 405 TCZ FRAMES)	1	116-0664-010	116-0664-010
	BRACKET (444 & LARGER TCZ FRAMES)	1	116-0660-010	116-0660-010
39	CAPSCREW	4	168-0634-082	168-0634-082
41	CAPSCREW (364 – 405 TCZ FRAMES)	4	168-0636-082	168-0636-082
	CAPSCREW (444 & LARGER TCZ FRAMES)	4	168-0636-082	168-0636-082
65	CAPSCREW	2	168-0496-190	168-0496-190
68	PIPE PLUG	1	600-0002-104	600-0002-104
73	PUMP SUPPORT	1	820-1755-087	820-1755-087
74	PIPE PLUG	1	600-0004-104	600-0004-104
75	BALL VALVE	1	896-4360-644	896-4360-644
76	NIPPLE	1	600-1103-387	600-1103-387

SM BORE = MOTOR FRAME 143JP – 184JP N/A = NOT AVAILABLE
 LG BORE = MOTOR FRAME 213JP – 326JP N/R = NOT REQUIRED

PARTS LIST:

Pc. No.	Description	Qty.	Pump Size
			8" 1593F Part Number
1	COMPRESSION ELBOW	1	868-3660-190
2	COMPRESSION CONNECTOR	1	868-3359-190
3	TUBING	1	872-0124-175
4	PIPE PLUG	4	600-0002-087
5	CAPSCREW	12	168-0636-082
6	CASING – 125#SUCTION/250#DISCHARGE	1	N/A
	CASING – 125#SUCTION/125#DISCHARGE	1	180-2595-010
	CASING – 250#SUCTION/250#DISCHARGE	1	N/A
7	FRONT CASE WEAR RING	1	676-2036-208
8	O-RING	1	364-0557-457
9	IMPELLER CAPSCREW	1	168-0490-113
9A	IMPELLER WASHER	1	908-1326-104
9B	IMPELLER GASKET	1	364-2046-603
9C	IMPELLER SEAL	1	908-1292-118
11	IMPELLER	1	443-3088-208
12	IMPELLER KEY	1	472-0318-087
16	BACK CASE WEAR RING	1	676-2036-208
17	COUPLING GUARD	2	392-0677-114
18	GUARD MOUNTING SCREW	8	168-1000-080
22	GLAND CLAMP	2	204-0121-190
23	PACKING GLAND	1	372-0065-208
25	SHAFT SLEEVE	1	756-0829-107
28	PACKING	4	564-0179-802
29	LANTERN RING	1	676-1462-512
31	HEX NUT	4	544-0115-080
32	CAPSCREW	4	168-0574-082
35	BRACKET	1	116-0592-010
39	CAPSCREW	4	168-0634-082
40	SHAFT	1	728-7501-063
41	RETAINING RING	1	676-0294-088
42	THROTTLE BUSHING	1	136-1674-560
43	GLAND O-RING	1	364-0419-457
45	SPLIT COUPLING	1	256-2865-320
46	ANNULAR KEY	2	472-1161-087
48	CAPSCREW	6	168-0169-082
49	LOCK WASHER	6	908-0163-088
50	HEX NUT	6	544-0113-080
53	PUMP COUPLING KEY	2	472-0357-087
65	CAPSCREW	2	168-0500-104
68	PIPE PLUG	2	600-0004-028
73	PUMP SUPPORT	1	820-1755-079
77	PLAIN WASHER	4	908-0116-080
78	SPRING LOCK WASHER	4	908-0165-088

*Refer to exploded view on page 3 for pump 8" 1593F.

THIS PAGE INTENTIONALLY LEFT BLANK

THIS PAGE INTENTIONALLY LEFT BLANK