



## FLECK 2850S

### SERVICE MANUAL



## TABLE OF CONTENTS

JOB SPECIFICATION SHEET .....	2
INSTALLATION .....	3
START-UP INSTRUCTIONS .....	3
3200 TIMER SETTING PROCEDURE .....	4
3210 TIMER SETTING PROCEDURE .....	4
3200, 3210, 3220, 3230 REGENERATION CYCLE SETTING PROCEDURE .....	5
3200 TIME CLOCK TIMER ASSEMBLY.....	6
3210 METER DELAYED TIMER ASSEMBLY.....	8
3220 METER IMMEDIATE TIMER ASSEMBLY .....	10
3230 REMOTE START TIMER ASSEMBLY .....	12
CONTROL VALVE ASSEMBLY .....	14
POWERHEAD ASSEMBLY.....	16
MANUAL DRIVE ASSEMBLY.....	18
1600 SERIES BRINE SYSTEM .....	19
1650 BRINE SYSTEM ASSEMBLY.....	21
1700 BRINE SYSTEM ASSEMBLY.....	23
1710 BRINE SYSTEM ASSEMBLY.....	25
1600 SERVICE VALVE OPERATOR ASSEMBLY (OLD STYLE).....	26
1-INCH METER ASSEMBLY.....	27
1-1/2 INCH METER ASSEMBLY .....	28
2300 SAFETY BRINE VALVE .....	30
2310 SAFETY BRINE VALVE .....	31
2350 SAFETY BRINE VALVE .....	33
SEAL & SPACER TOOLS & REPLACEMENT .....	34
GENERAL SERVICE HINTS FOR METER CONTROL .....	35
TROUBLESHOOTING.....	36
WATER CONDITIONER FLOW DIAGRAMS .....	37
FLOW DATA & INJECTOR DRAW RATES - DOWNFLOW ....	38
DIMENSIONAL DRAWING.....	39
SYSTEM #4 .....	40
SYSTEM #5 INTERLOCK .....	40
SYSTEM #6 .....	41
SYSTEM #7.....	41
SYSTEM #4 WIRING .....	42
SYSTEM #5 WIRING .....	44
SYSTEM #6 WIRING .....	45
SYSTEM #7 WIRING .....	46
SERVICE ASSEMBLIES .....	48

## CALIFORNIA PROPOSITION 65 WARNING

**⚠ WARNING:** This product contains chemicals known to the State of California to cause cancer or birth defects or other reproductive harm.

## JOB SPECIFICATION SHEET

Job Number: \_\_\_\_\_  
 Model Number: \_\_\_\_\_  
 Water Hardness: \_\_\_\_\_ ppm or gpg  
 Capacity Per Unit: \_\_\_\_\_  
 Mineral Tank Size: \_\_\_\_\_ Diameter: \_\_\_\_\_ Height: \_\_\_\_\_  
 Salt Setting per Regeneration: \_\_\_\_\_

### 1. Type of Timer:

- A. 7 Day or 12 Day
- B. Meter Initiated

### 2. Downflow:                      Upflow                      Upflow Variable

### 3. Meter Size:

- A. 3/4-inch Std Range (125 - 2,100 gallon setting)
- B. 3/4-inch Ext Range (625 - 10,625 gallon setting)
- C. 1-inch Std Range (310 - 5,270 gallon setting)
- D. 1-inch Ext Range (1,150 - 26,350 gallon setting)
- E. 1-1/2 inch Std Range (625 - 10,625 gallon setting)
- F. 1-1/2 inch Ext Range (3,125 - 53,125 gallon setting)
- G. 2-inch Std Range (1,250 - 21,250 gallon setting)
- H. 2-inch Ext Range (6,250 - 106,250 gallon setting)
- I. 3-inch Std Range (3,750 - 63,750 gallon setting)
- J. 3-inch Ext Range (18,750 - 318,750 gallon setting)
- K. Electronic \_\_\_\_ Pulse Count \_\_\_\_ Meter Size \_\_\_\_\_

### 4. System Type:

- A. System #4: 1 Tank, 1 Meter, Immediate, or Delayed Regeneration
- B. System #4: Time Clock
- C. System #4: Twin Tank
- D. System #5: 2-5 Tanks, Interlock Mechanical  
2-4 Tanks, Interlock Electronic  
Meter per unit for Mechanical and Electronic
- E. System #6: 2-5 Tanks, 1 Meter, Series Regeneration, Mechanical  
2-4 Tanks, 1 Meter, Series Regeneration, Electronic
- F. System #7: 2-5 Tanks, 1 Meter, Alternating  
Regeneration, Mechanical  
2 Tanks only, 1 Meter, Alternating  
Regeneration, Electronic
- G. System #9: Electronic Only, 2-4 Tanks, Meter per Valve, Alternating
- H. System #14: Electronic Only, 2-4 Tanks, Meter per Valve.  
Brings units on and offline based on flow.

### 5. Timer Program Settings:

- A. Backwash: \_\_\_\_\_ Minutes
- B. Brine and Slow Rinse: \_\_\_\_\_ Minutes
- C. Rapid Rinse: \_\_\_\_\_ Minutes
- D. Brine Tank Refill: \_\_\_\_\_ Minutes
- E. Pause Time: \_\_\_\_\_ Minutes
- F. Second Backwash: \_\_\_\_\_ Minutes

### 6. Drain Line Flow Control:                      gpm

### 7. Brine Line Flow Controller:                      gpm

### 8. Injector Size#:

### 9. Piston Type:

- A. Hard Water Bypass
- B. No Hard Water Bypass

## INSTALLATION

### Water Pressure

A minimum of 20 pounds (1.4 bar) of water pressure is required for regeneration valve to operate effectively.

### Electrical Facilities

An uninterrupted alternating current (A/C) supply is required.

**NOTE: Other voltages are available. Please make sure your voltage supply is compatible with your unit before installation.**

### Existing Plumbing

Condition of existing plumbing should be free from lime and iron buildup. Piping that is built up heavily with lime and/or iron should be replaced. If piping is clogged with iron, a separate iron filter unit should be installed ahead of the water softener.

### Location Of Softener And Drain

The softener should be located close to a drain to prevent air breaks and back flow.

### By-Pass Valves

Always provide for the installation of a by-pass valve if unit is not equipped with one.

**CAUTION** Water pressure is not to exceed 125 psi (8.6 bar), water temperature is not to exceed 110°F (43°C), and the unit cannot be subjected to freezing conditions.

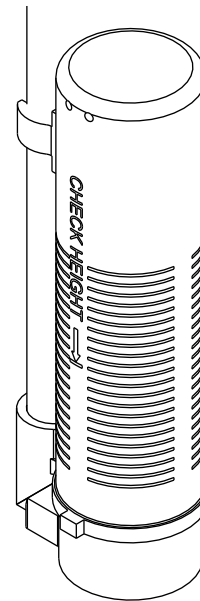
### Installation Instructions

1. Place the softener tank where you want to install the unit making sure the unit is level and on a firm base.
2. During cold weather, the installer should warm the valve to room temperature before operating.
3. All plumbing should be done in accordance with local plumbing codes. The pipe size for residential drain line should be a minimum of 1/2-inch (13 mm). Backwash flow rates in excess of 7 gpm (26.5 Lpm) or length in excess of 20 feet (6 m) require 3/4-inch (19 mm) drain line. Commercial drain lines should be the same size as the drain line flow control.
4. Refer to the dimensional drawing for cutting height of the distributor tube. If there is no dimensional drawing, cut the distributor tube flush with the top of the tank.
5. Lubricate the distributor o-ring seal and tank o-ring seal. Place the main control valve on tank.

**NOTE: Only use silicone lubricant.**

6. **▲ IMPORTANT:** For valves equipped with electromechanical timers and stainless steel meters, refer to the Meter Dome and Union Orientation section.
7. Solder joints near the drain must be done prior to connecting the Drain Line Flow Control fitting (DLFC). Leave at least 6 inches (15 cm) between the DLFC and solder joints when soldering pipes that are connected on the DLFC. Failure to do this could cause interior damage to the DLFC.
8. Plumber tape is the only sealant to be used on the drain fitting. The drain from twin tank units may be run through a common line.
9. Make sure that the floor is clean beneath the salt storage tank and that it is level.

10. Place approximately 1 inch (25 mm) of water above the grid plate. If a grid is not utilized, fill to the top of the air check (Figure 1) in the salt tank. Do not add salt to the brine tank at this time.
11. On units with a by-pass, place in by-pass position. Turn on the main water supply. Open a cold soft water tap nearby and let run a few minutes or until the system is free from foreign material (usually solder) that may have resulted from the installation. Once clean, close the water tap.
12. Slowly place the by-pass in service position and let water flow into the mineral tank. When water flow stops, slowly open a cold water tap nearby and let run until the air is purged from the unit.
13. Plug unit into an electrical outlet. Note: All electrical connections must be connected according to local codes. Be certain the outlet is uninterrupted.



60002 Rev E

Figure 1 Residential Air Check Valve

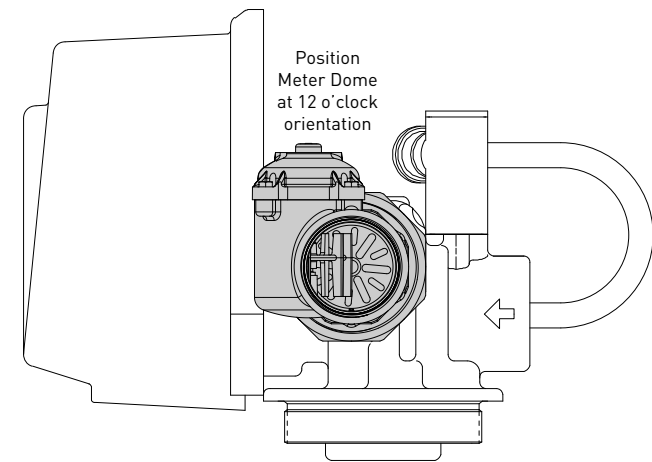
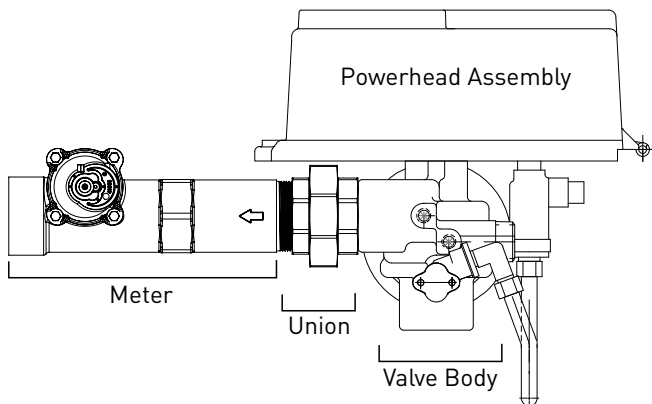
## INSTALLATION *CONTINUED*

### Meter Dome and Union Orientation

Control valves outfitted with an electromechanical timer and stainless steel water meter include a special male x female threaded stainless steel union to insure proper installation and operation of the water meter.

**⚠ WARNING:** The location of this union in relation to the control valve and water meter is critical for proper operation. DO NOT omit or substitute this special union; it positions the meter dome at the correct distance from the control valve and allows re-positioning the water meter dome for proper operation.

1. Apply a suitable thread sealant to the male threads of the union and meter body.
2. Thread the union into the OUTLET port of the control valve, then thread the meter into the union. See illustrations below.
3. Rotate the water meter body so the meter dome is at the 12 o'clock position. Loosen the nut on the union to facilitate this if required. Once in position, tighten the union nut.
4. Connect the meter cable to the open port in the center of the meter dome.
5. Continue with the installation of the control valve.



## START-UP INSTRUCTIONS

The water softener should be installed with the inlet, outlet, and drain connections made in accordance with the manufacturer's recommendations, and to meet applicable plumbing codes.

1. Turn the manual regeneration knob slowly in a clockwise direction until the program micro switch lifts on top of the first set of pins. Allow the drive motor to move the piston to the first regeneration step and stop. Each time the program switch position changes, the valve will advance to the next regeneration step. Always allow the motor to stop before moving to the next set of pins or spaces.

**NOTE:** For electronic valves, please refer to the manual regeneration part of the timer operation section. If the valve came with a separate electronic timer service manual, refer to the timer operation section of the electronic timer service manual.

2. Position the valve to backwash. Ensure the drain line flow remains steady for 10 minutes or until the water runs clear (see above).
3. Position the valve to the brine / slow rinse position. Ensure the unit is drawing water from the brine tank (this step may need to be repeated).
4. Position the valve to the rapid rinse position. Check the drain line flow, and run for 5 minutes or until the water runs clear.
5. Position the valve to the start of the brine tank fill cycle. Ensure water goes into the brine tank at the desired rate. The brine valve drive cam will hold the valve in this position to fill the brine tank for the first regeneration.
6. Replace control box cover.
7. Put salt in the brine tank.

**NOTE:** Do not use granulated or rock salt.

## 3200 TIMER SETTING PROCEDURE

### How To Set Days On Which Water Conditioner Is To Regenerate (Figure 2)

Rotate the skipper wheel until the number "1" is at the red pointer. Set the days that regeneration is to occur by sliding tabs on the skipper wheel outward to expose trip fingers. Each tab is one day. Finger at red pointer is tonight. Moving clockwise from the red pointer, extend or retract fingers to obtain the desired regeneration schedule.

### How To Set The Time Of Day

1. Press and hold the red button in to disengage the drive gear.
2. Turn the large gear until the actual time of day is at the time of day pointer.
3. Release the red button to again engage the drive gear.

### How To Manually Regenerate Your Water Conditioner At Any Time

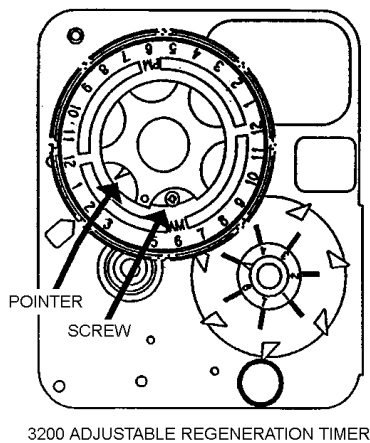
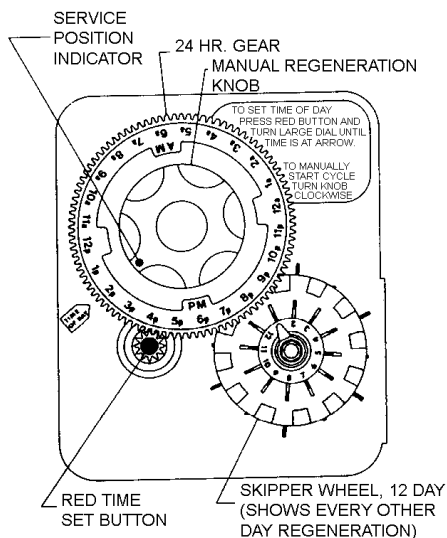
1. Turn the manual regeneration knob clockwise.
2. This slight movement of the manual regeneration knob engages the program wheel and starts the regeneration program.
3. The black center knob will make one revolution in the following approximately three hours and stop in the position shown in the drawing.
4. Even though it takes three hours for this center knob to complete one revolution, the regeneration cycle of your unit might be set for only one half of this time.

## STARTUP INSTRUCTIONS *CONTINUED*

- In any event, conditioned water may be drawn after rinse water stops flowing from the water conditioner drain line.

### How to Adjust Regeneration Time

- Disconnect the power source.
- Locate the three screws behind the manual regeneration knob by pushing the red button in and rotating the 24 hour dial until each screw appears in the cut out portion of the manual regeneration knob.
- Loosen each screw slightly to release the pressure on the time plate from the 24-hour gear.
- Locate the regeneration time pointer on the inside of the 24 hour dial in the cut out.
- Turn the time plate so the desired regeneration time aligns next to the raised arrow.
- Push the red button in and rotate the 24 hour dial. Tighten each of the three screws.
- Push the red button and locate the pointer one more time to ensure the desired regeneration time is correct.
- Reset the time of day and restore power to the unit.



**IMPORTANT!**  
SALT LEVEL MUST ALWAYS BE ABOVE  
WATER LEVEL IN BRINE TANK

61502-3200 Rev A

Figure 2

## 3210 TIMER SETTING PROCEDURE

### Typical Programming Procedure

Calculate the gallon capacity of the system, subtract the necessary reserve requirement and set the gallons available opposite the small white dot on the program wheel gear (Figure 4).

**NOTE: Drawing shows 8,750 gallon setting. The capacity (gallons) arrow (15) shows zero gallons remaining. The unit will regenerate tonight at the set regeneration time.**

### How To Set The Time Of Day

- Press and hold the red button in to disengage the drive gear.
- Turn the large gear until the actual time of day is opposite the time of day pointer.
- Release the red button to again engage the drive gear.

### How To Manually Regenerate Your Water Conditioner At Any Time

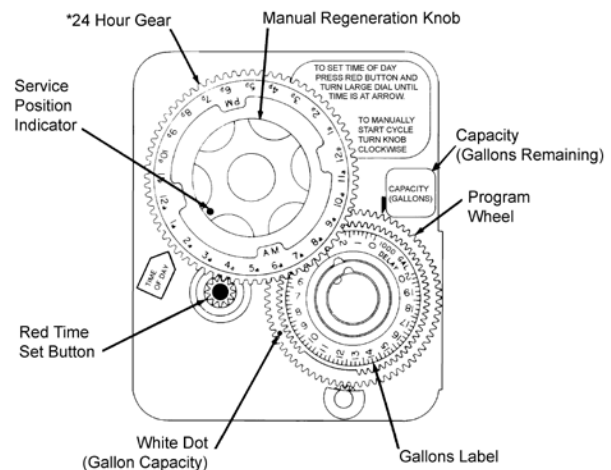
- Turn the manual regeneration knob clockwise.
- This slight movement of the manual regeneration knob engages the program wheel and starts the regeneration program.
- The black center knob will make one revolution in the following approximately three hours and stop in the position shown in the drawing.
- Even though it takes three hours for this center knob to complete one revolution, the regeneration cycle of your unit might be set for only one half of this time.
- In any event, conditioned water may be drawn after rinse water stops flowing from the water conditioner drain line.

### Immediate Regeneration Timers

These timers do not have a 24 hour gear. Setting the gallons on the program wheel and manual regeneration procedure are the same as previous instructions. The timer will regenerate as soon as the capacity gallons reaches zero.

**NOTE: The program wheel to the left may be different than the program wheel on the product.**

**NOTE: To set meter capacity rotate manual knob one - 360° revolution to set gallonage.**



\*Immediate regeneration timers do not have a 24-hour gear. No time of day can be set.

61502-3200 Rev A

Figure 3

## 3200, 3210, 3220, 3230 REGENERATION CYCLE SETTING PROCEDURE

### How To Set The Regeneration Cycle Program

The regeneration cycle program on your water conditioner has been factory preset, however, portions of the cycle or program may be lengthened or shortened in time to suit local conditions.

### 3200 Series Timers (Figure 4)

1. To expose cycle program wheel, grasp timer in upper left-hand corner and pull, releasing snap retainer and swinging timer to the right.
2. To change the regeneration cycle program, the program wheel must be removed. Grasp program wheel and squeeze protruding lugs toward center, lift program wheel off timer. Switch arms may require movement to facilitate removal.
3. Return timer to closed position engaging snap retainer in back plate. Make certain all electrical wires locate above snap retainer post.

### Timer Setting Procedure

#### How To Change The Length Of The Backwash Time

The program wheel as shown in the drawing is in the service position. As you look at the numbered side of the program wheel, the group of pins starting at zero determines the length of time your unit will backwash.

For example, if there are six pins in this section, the time of backwash will be 12 min. (2 min. per pin). To change the length of backwash time, add or remove pins as required. The number of pins times two equals the backwash time in minutes.

#### How To Change The Length Of Brine And Rinse Time

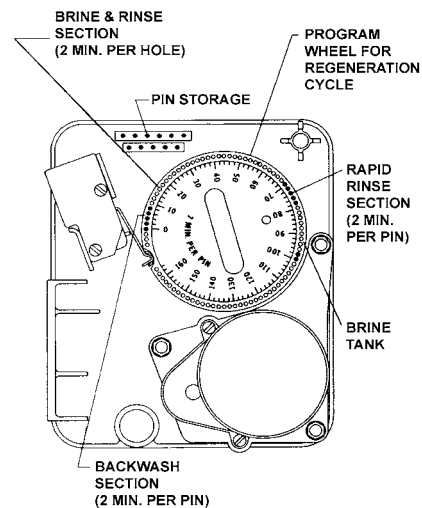
1. The group of holes between the last pin in the backwash section and the second group of pins determines the length of time that your unit will brine and rinse (2 min. per hole).
2. To change the length of brine and rinse time, move the rapid rinse group of pins to give more or fewer holes in the brine and rinse section. Number of holes times two equals brine and rinse time in minutes.

#### How To Change The Length Of Rapid Rinse

1. The second group of pins on the program wheel determines the length of time that your water conditioner will rapid rinse (2 min. per pin).
2. To change the length of rapid rinse time, add or remove pins at the higher numbered end of this section as required. The number of pins times two equals the rapid rinse time in minutes.

### How To Change The Length Of Brine Tank Refill Time

1. The second group of holes in the program wheel determines the length of time that your water conditioner will refill the brine tank (2 min. per hole).
2. To change the length of refill time, move the two pins at the end of the second group of holes as required.
3. The regeneration cycle is complete when the outer microswitch is tripped by the two pin set at end of the brine tank refill section.
4. The program wheel, however, will continue to rotate until the inner micro switch drops into the notch on the program wheel.

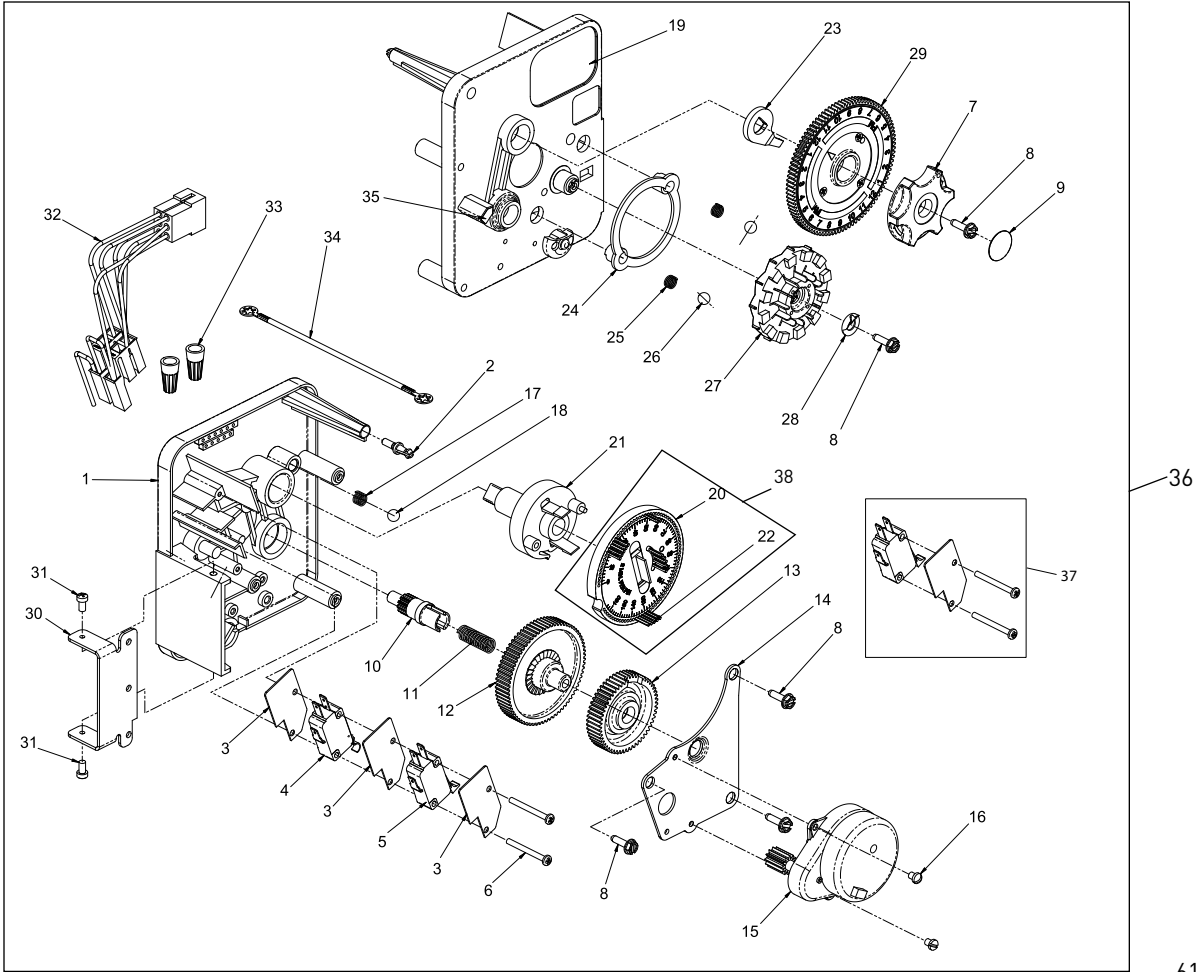


61502-3210 Rev A

Figure 4

[ THIS PAGE LEFT INTENTIONALLY BLANK ]

# 3200 TIME CLOCK TIMER ASSEMBLY



615023200 Rev A



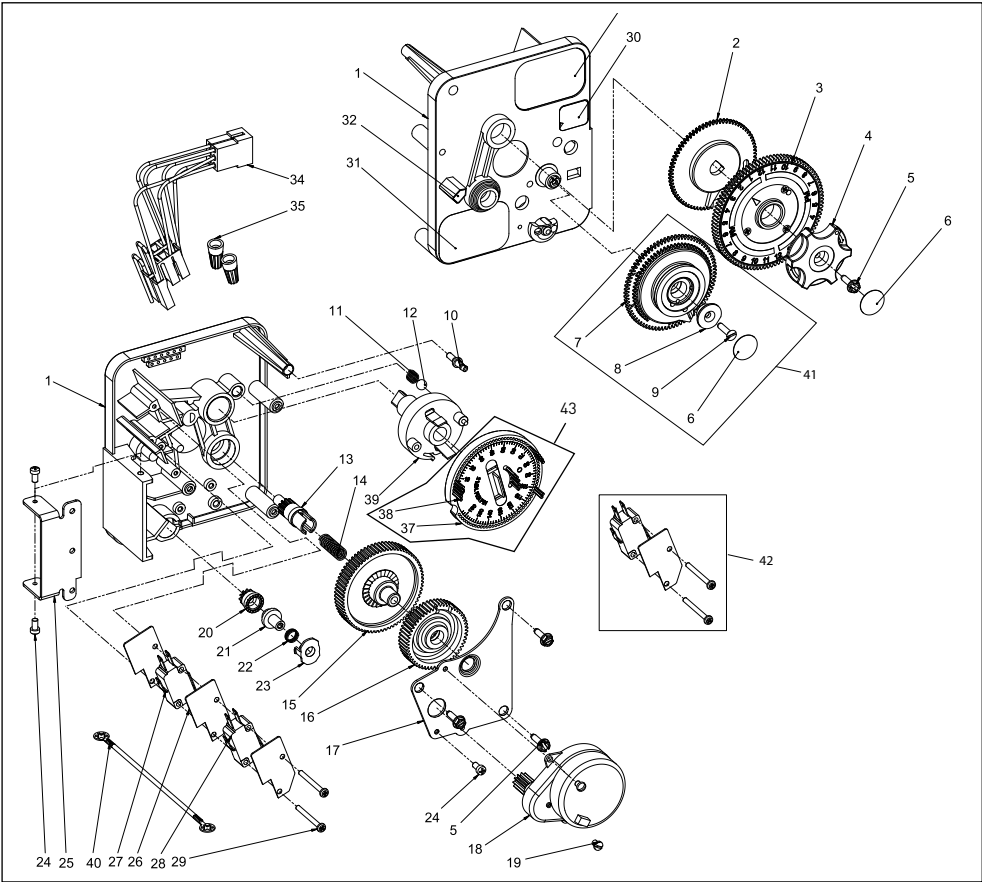
# 3200 TIME CLOCK TIMER ASSEMBLY

*CONTINUED*

Item No.	QTY	Part No.	Description	Item No.	QTY	Part No.	Description
1	1	13870	Housing, Timer, 3200	24	1	13864	Ring, Skipper Wheel
2	1	14265	Clip, Sping	25	2	13311	Spring, Detent, Timer
3	3	14087	Insulator	26	2	13300	Ball, 1/4-inch, SS
4	1	10896	Switch, Micro	27	1	14381	Skipper Wheel Assy, 12 Day
5	1	15320	Switch, Micro, Timer		1	14860	Skipper Wheel Assy, 7 Day
6	2	11413	Screw, Pan Hd Mach, 4-40 x 1-1/8	28	1	13014	Pointer, Regeneration
7	1	13886	Knob, 3200	29	1	40096-24	Dial, 12 AM Regen Assy, Black
8	5	13296	Screw, Hex Wsh, 6-20 x 1/2			40096-02	Dial, 2 AM Regen Assy, Black
9	1	11999	Label, Button	30	1	13881	Bracket, Hinger Timer
10	1	13018	Pinion, Idler	31	2	11384	Screw, Phil, 6-32 x 1/4 Zinc
11	1	13312	Spring, Idler Shaft	32	1	13902	Harness, 3200
12	1	13017	Gear, Idler	33	2	40422	Nut, Wire, Tan
13	1	13164	Gear, Drive	34	1	15354-01	Wire, Ground, 4 inches
14	1	13887	Plate, Motor Mounting	35	1	14007	Label, Time of Day
15	1	18743-1	Motor, 120V, 60Hz, 1/30 RPM	36	1	*	Complete 3200 Time Clock Timer Assembly
		18752-1	Motor, 100V, 50Hz, 1/30 RPM	37		60320-02	Switch Kit, 3200/9000 Timer Auxiliary, Optional
		18824-1	Motor, 230V, 50Hz, 1/30 RPM	38		61420-03	Program Wheel, Gear Assy, Filter 2 Min Per Pin
		18826-1	Motor, 24V, 50Hz, 1/30 RPM			61420-04	Program Wheel, Gear Assy, Softener, 2 Min Per Pin
		19659-1	Motor, 24V, 60Hz, 1/30 RPM			61420-06	Program Wheel, Gear Assy, Soft Immed, 2 Min Per Pin
		19660-1	Motor, 230V, 60Hz, 1/30 RPM			61420-42	Program Wheel, Gear Assy, Filter Immed, 2 Min Per Pin
16	2	13278	Screw, Sltd Fillister Hd 6-32 x .156				
17	1	15424	Spring, Detent, Timer				
18	1	15066	Ball, 1/4-inch, Delrin				
19	1	15465	Label, Caution				
20	1	19210	Program Wheel Assy				
21	1	13911	Gear, Main Drive, Timer				
22	17	41754	Pin, Spring, 1/16 x 5/8 SS, Timer				
23	1	13011	Arm, Cycle Actuator				

\*Call your distributor for Part Number

**3210 METER DELAYED TIMER ASSEMBLY**



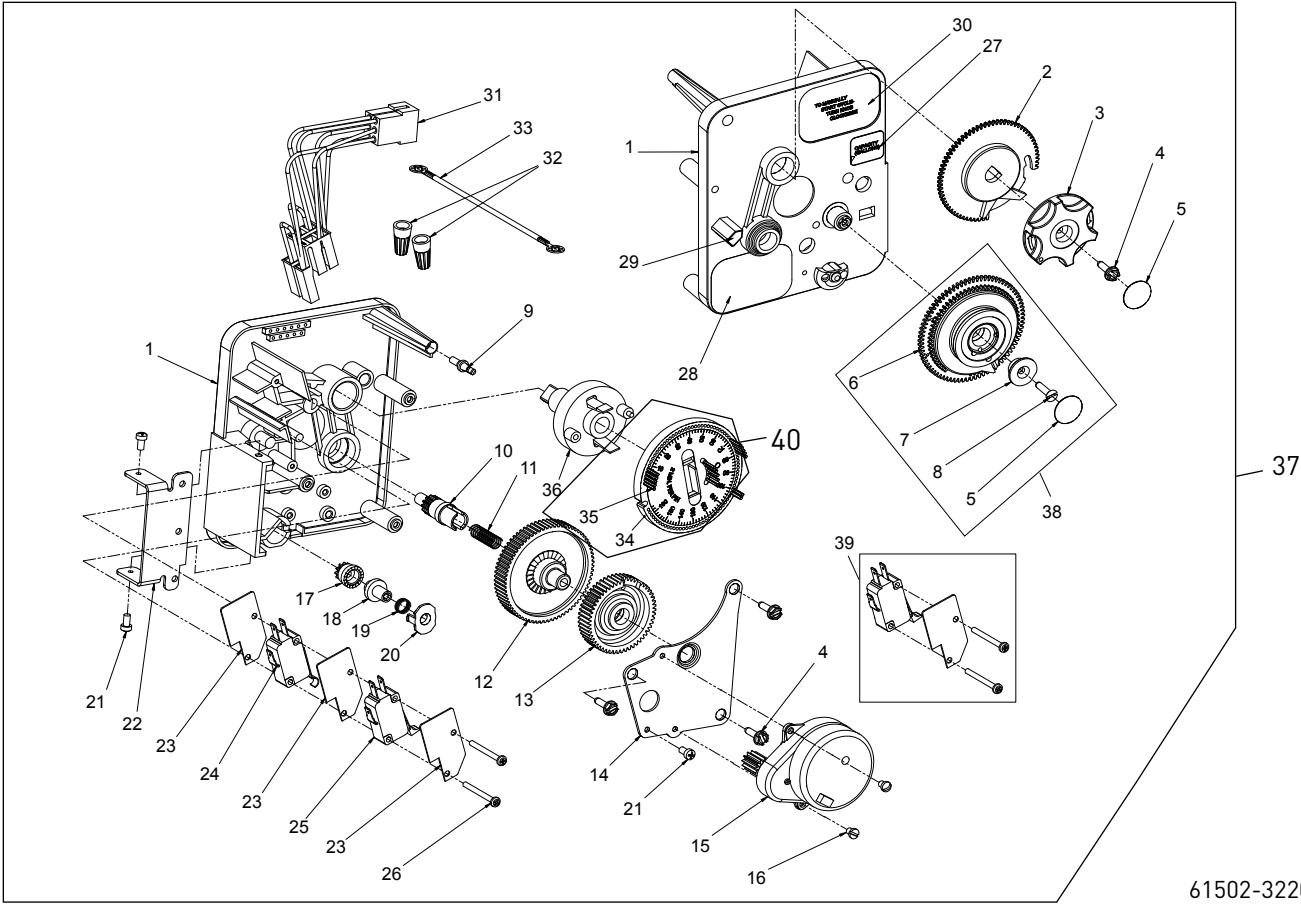
61502-3210 Rev A

# 3210 METER DELAYED TIMER ASSEMBLY

*CONTINUED*

Item No.	QTY	Part No.	Description	Item No.	QTY	Part No.	Description
1	1	13870	Housing, Timer, 3200	33	1	14045	Label, Instruction
2	1	13802	Gear, Cycle Actuator	34	1	13902	Harness, 3200
3	1	40096-02	Dial 2 AM Regen Assy, Black	35	2	40422	Nut, Wire, Tan
4	1	13886	Knob, 3200	36	1	15354-01	Wire, Ground, 4 inches
5	4	13296	Screw, Hex Wsh, 6-20 x 1/2	37	1	19210	Program Wheel Assy
6	2	11999	Label, Button	38	17	41754	Pin, Spring, 1/16 x 5/8 SS, Timer
7	1	13803	Gear, Program Drive Wheel	39	1	13911	Gear, Main Drive, Timer
8	1	13806	Retainer, Program Wheel	40	1	*	Complete 3210 Meter Delayed Timer Assembly
9	1	13748	Screw, Flat Head St, 6-20 x 1/2	41		60405-10	Program Wheel, w/3/4-inch STD Label 0-2,100 gal
10	1	14265	Clip, Spring			60405-20	Program Wheel, w/3/4-inch EXT Label 0-10,000 gal
11	1	15424	Spring, Detent, Timer			60405-11	Program Wheel, w/3/4-inch STD Metric Label 0-8 m <sup>3</sup>
12	1	15066	Ball, 1/4-inch Delrin			60405-21	Program Wheel, w/3/4-inch EXT Range 0-40 m <sup>3</sup>
13	1	13018	Pinion, Idler			60405-70	Program Wheel, w/1-1/2 inch EXT Range Label, 0-50,000
14	1	13312	Spring, Idler Shaft	42		60320-02	Switch Kit, 3200/9000 Timer Auxiliary, Optional
15	1	13017	Gear, Idler	43		61420-03	Program Wheel, Gear Assy, Filter 2 Min Per Pin
16	1	13164	Gear, Drive			61420-04	Program Wheel, Gear Assy, Softener, 2 Min Per Pin
17	1	13887	Plate, Motor Mounting			61420-06	Program Wheel, Gear Assy, Soft Immed, 2 Min Per Pin
18	1	18743-1	Motor, 120V, 60Hz, 1/30 RPM			61420-42	Program Wheel, Gear Assy, Filter Immed, 2 Min Per Pin
		18752-1	Motor, 100V, 50Hz, 1/30 RPM	*Call your distributor for Part Number			
		18824-1	Motor, 230V, 50Hz, 1/30 RPM				
		18826-1	Motor, 24V, 50Hz, 1/30 RPM				
		19659-1	Motor, 24V, 60Hz, 1/30 RPM				
		19660-1	Motor, 230V, 60Hz, 1/30 RPM				
19	1	13278	Screw, Fillister Hd, 6-32 x .156				
20	1	13830	Pinion, Program Wheel Drive				
21	1	13831	Clutch, Drive Pinion				
22	1	14276	Spring, Meter, Clutch				
23	1	14253	Retainer, Clutch Spring				
24	3	11384	Screw, Phil, 6-32 x 1/4				
25	1	13881	Bracket, Hinge Timer				
26	3	14087	Insulator				
27	1	10896	Switch, Micro				
28	1	15320	Switch, Micro, Timer				
29	2	11413	Screw, Pan Hd Mach, 4-40 x 1 1/8				
30	1	14198	Label, Indicator				
31	1	15465	Label, Caution				
32	1	14007	Label, Time of Day				

# 3220 METER IMMEDIATE TIMER ASSEMBLY



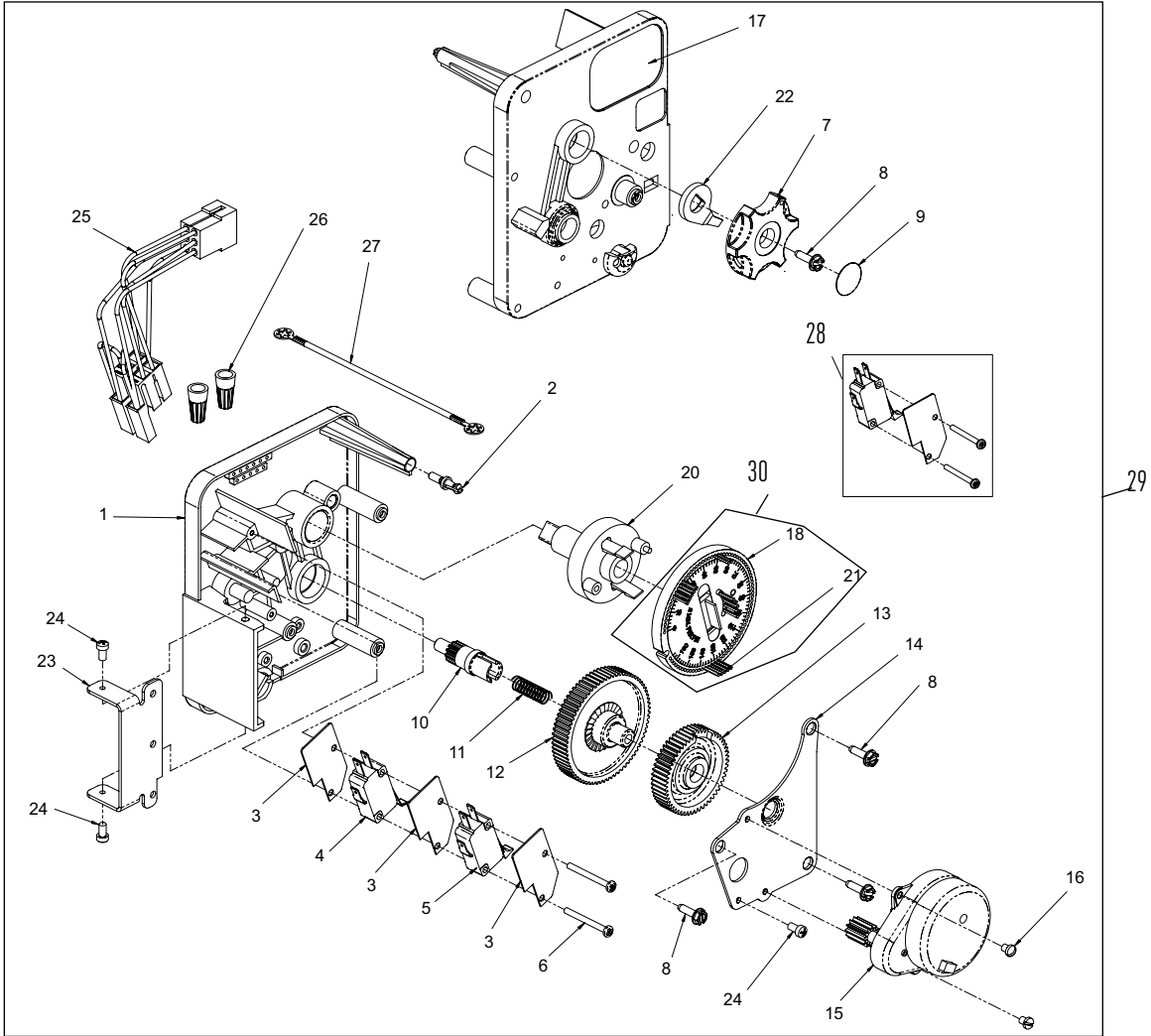
61502-3220 Rev B

# 3220 METER IMMEDIATE TIMER

## ASSEMBLY *CONTINUED*

Item No.	QTY	Part No.	Description	Item No.	QTY	Part No.	Description
1	1	13870	Housing, Timer	36	1	15055	Gear, Main Drive
2	1	15431	Gear, Cycle Actuator, System #5	37	1	*	Complete 3220 Meter Immediate Timer Assy
3	1	13886	Knob, 3200	38		60405-10	Program Wheel, w/3/4-inch STD Label 0-2,100 gal
4	4	13296	Screw, Hex Wsh, 6-20 x 1/2			60405-20	Program Wheel, w/3/4-inch EXT Label 0-10,000 gal
5	2	11999	Label, Button			60405-11	Program Wheel, w/3/4-inch STD Metric Label 0-8 m <sup>3</sup>
6	1	13807	Gear, Program Drive Wheel			60405-21	Program Wheel, w/3/4-inch EXT Range 0-40 m <sup>3</sup>
7	1	13806	Retainer, Program Wheel			60405-70	Program Wheel, w/1-1/2 inch EXT Range Label, 0-50,000
8	1	13748	Screw, Flt Hd St, 6-20 x 1/2	39		60320-02	Switch Kit, 3200/9000 Timer Auxiliary, Optional
9	1	14265	Spring Clip	40		61420-06	Program Wheel, Gear Assy, Softener Immediate 2 Min Per Pin
10	1	13018	Pinion, Idler			61420-42	Program Wheel, Gear Assy, Filter Immediate 2 Min Per Pin
11	1	18563	Idler Shaft Spring	*Call your distributor for Part Number			
12	1	13017	Gear, Idler				
13	1	13164	Drive Gear				
14	1	13887	Plate, Motor Mounting				
15	1	18743-1	Motor, 120V, 60 Hz, 1/30 RPM				
		18752-1	Motor, 100V, 50Hz, 1/30 RPM				
		18824-1	Motor, 230V, 50Hz, 1/30 RPM				
		18826-1	Motor, 24V, 50Hz, 1/30 RPM				
		19659-1	Motor, 24V, 60Hz, 1/30 RPM				
		19660-1	Motor, 230V, 60Hz, 1/30 RPM				
16	2	13278	Screw, Sltd Fillister Hd				
17	1	14502	Pinion, Program Wheel				
18	1	14501	Clutch, Drive Pinion				
19	1	14276	Meter Clutch Spring				
20	1	14253	Retainer, Clutch Spring				
21	3	11384	Screw, Phil, 6-32 x 1/4 Zinc				
22	1	13881	Bracket, Hinge Timer				
23	3	14087	Insulator				
24	1	15414-00	Micro Switch				
25	1	15320	Switch, Micro, Timer				
26	2	11413	Screw, Pan Hd Mach, 4-40 x 1-1/8				
27	1	14198	Label, Indicator				
28	1	15465	Label, Caution				
29	1	14007	Label, Time of Day				
30	1	15148	Label, Instruction				
31	1	40617	Harness, 3220				
32	2	40422	Nut, Wire, Tan				
33	1	15354-01	Wire, Ground, 4 inches				
34	1	19210-05	Program Wheel Assembly, 9000/3230				
35	17	41754	Pin, Spring, 1/16 x 5/8 Stainless Steel, Timer				

**3230 REMOTE START TIMER ASSEMBLY**



61502-3230R REV A

# 3230 REMOTE START TIMER ASSEMBLY

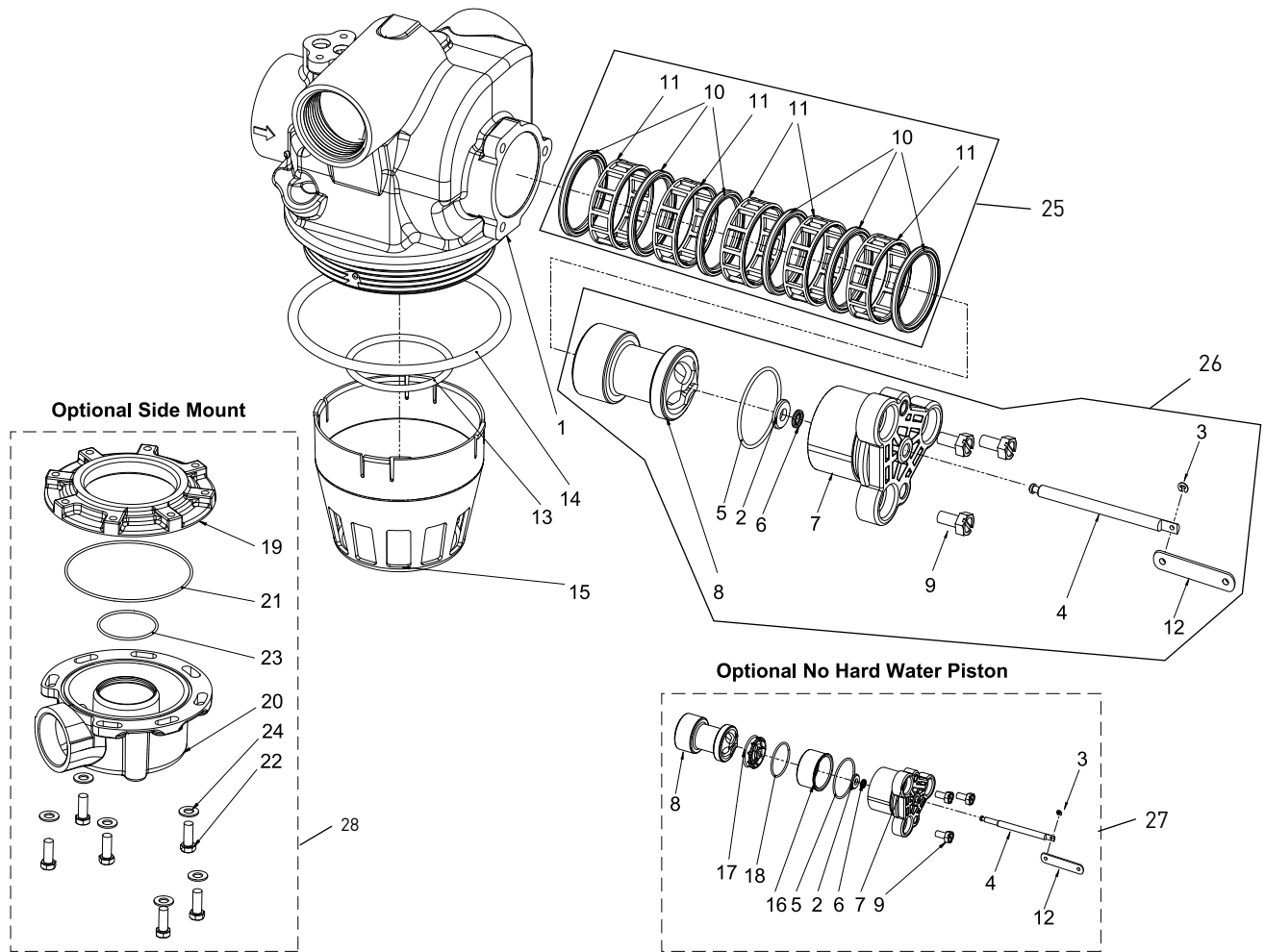
*CONTINUED*

Item No.	QTY	Part No.	Description
1	1	13870	Housing, Timer
2	1	14265	Spring Clip
3	3	14087	Insulator
4	1	15314	Micro Switch
5	1	15320	Switch, Micro, Timer
6	2	11413	Screw, Pan Hd Mach, 4-40 x 1-1/8
7	1	13886	Knob, 3200
8	4	13296	Screw, Hex Wsh, 6-20 x 1/2
9	1	11999	Label, Button
10	1	13018	Pinion, Idler
11	1	18563	Idler Shaft Spring
12	1	13017	Gear, Idler
13	1	15055	Drive Gear
14	1	13887	Plate, Motor Mounting
15	1	18743-1	Motor, 120V, 60 Hz, 1/30 RPM
		18752-1	Motor, 100V, 50Hz, 1/30 RPM
		18824-1	Motor, 23V, 50Hz, 1/30 RPM
		18826-1	Motor, 24V, 50Hz, 1/30 RPM
		19659-1	Motor, 24V, 60Hz, 1/30 RPM
		19660-1	Motor, 230V, 60Hz, 1/30 RPM
16	2	13278	Screw, Sltd Fillister Hd
17	1	15313	Label, Caution
18	1	19210-05	Program Wheel Assembly, 3200
20	1	15055	Main Drive Gear
21	17	41754	Pin, Spring, 1/16 x 5/8 Stainless Steel, Timer

Item No.	QTY	Part No.	Description
22	1	13011	Cycle Actuator Arm
23	1	13881	Bracket, Hinge Timer
24	3	11384	Screw, Phil, 6-32 x 1/4 Zinc
25	1	16336	Harness, 3230R
26	2	40422	Nut, Wire, Tan
27	1	15354-01	Wire, Ground, 4 inches
28		60320-02	Switch Kit, 3200/9000 Timer Auxiliary, Optional
29		*	3230 Timer Assy
30		61420-06	Program Wheel, Gear Assy, Softener Immediate 2 Min Per Pin
		61420-42	Program Wheel, Gear Assy, Filter Immediate 2 Min Per Pin

\*Call your distributor for Part Number

# CONTROL VALVE ASSEMBLY



61500-2850s Rev C

Item No.	QTY	Part No.	Description
1	1	42176-01	Valve Body, 2850s, Machd
2	1	13008	Retainer, End Plug Seal
3	1	42302	Ring, Retaining, .074
4	1	42178	Rod, NHWBP
	1	42394	Rod, Piston, 2850s, Std
	1	42394-01	Rod, Manual Valve
5	1	40952	O-ring, -030
6	1	10209	Quad Ring, -010
7	1	42181	Plug, End, 2850s, 3 Bolt, Black
		42181-02	Plug, End, 2850s, 3 Bolt, White
8	1	42177	Piston, 2850s
9	3	10231	Screw, Slot Hex, 1/4 - 20 x 1/2
10	6	42172	Seal, 2850s, LDF
11	5	42175	Spacer, 2850s, LDF
12	1	42179	Link, Drive, 2850s
*13	1	13577	O-ring, -226
14	1	16455	O-ring, -347

Item No.	QTY	Part No.	Description
15	1	19608-15	Disperser, Commercial, 1-1/2 inch 2850/2900/9500
16	1	42174	Piston, 2850s, NHWBP
17	1	42182	Retainer, NHWBP Piston, O-ring, 2850s
18	1	17242	O-ring, -026
19	1	40316	Adapter, Side Mount
20	1	40310	Base, 2850/2900/2930, Rotating
21	1	40368	O-ring, -160, Sidemount, Flange
22	7	19768	Screw, Hex Hd, 3/8 - 16 x 1
23	1	40372	O-ring, -142
24	7	40375	Washer, Flat, 3/8-inch, Type A
25		61632	Seal & Spacer Kit, 2850s
		61632-30	Seal & Spacer Kit, 2850s, 559PE
		61632-20	Seal & Spacer Kit, 2850s, Hot

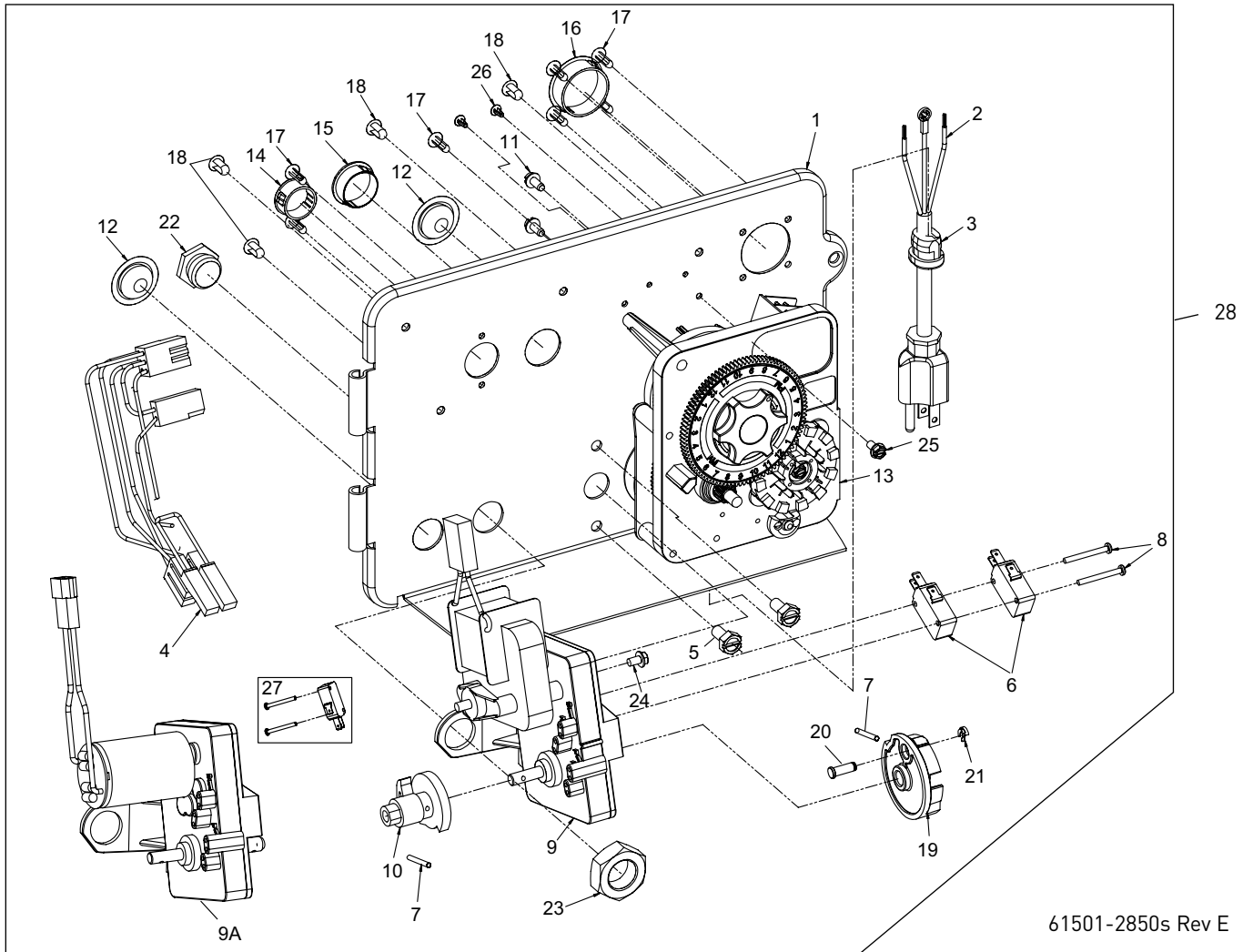


## CONTROL VALVE ASSEMBLY *CONTINUED*

Item No.	QTY	Part No.	Description	Item No.	QTY	Part No.	Description
			Water	.....	61640-75.....		DLFC, Plastic, 75 gpm
26	.....	61630-00.....	Piston Assy, 2850s, STD, HWBP	.....	40565-11.....		Connector Assy, 1-1/4 inch BSP, Plastic, DLFC to Valve
	.....	61630-02.....	Piston Assy, 2850s, Manual Valve	.....	40565-01.....		Connector Assy, 1-1/4 inch NPT, Plastic, DLFC to Valve
	.....	61630-01HW.....	Piston Assy, 2850s, Hot Water, HWBP	.....	61561-10.....		Connector Assy, 1-inch BSP, Brass, DLFC to Drain Piping
27	.....	61631-00.....	Piston Assy, 2850s, NHWBP	.....	40563-11.....		Connector Assy, 1-inch BSP, Plastic, DLFC to Drain Piping
28	.....	61415.....	Adapter Assy, Rotating 2850s/2850/2900s	.....	61561.....		Connector Assy, 1-inch NPT, Brass, DLFC to Drain piping
	.....	61415-20.....	Adapter Assy, BSP, Rotating 2850s/2850/2900s	.....	40563-01.....		Connector Assy, 1-inch NPT, Plastic, DLFC to Drain
<b>Not Shown:</b>				.....	41242-01.....		Connector Assy, 1-inch & 1-1/4 inch, Sweat, DLFC to Drain Piping
2	.....	15137.....	Screw, Hex, Wsh, Mach, 10-24 x 3/8	.....	61562-10.....		Connector Assy, 1-1/2 inch BSP, Brass, DLFC to Drain Piping
1	.....	11893.....	Cap, Injector, Stainless Steel	.....	42241-11.....		Connector Assy, 1-1/2 inch BSP, Plastic, DLFC to Drain Piping
1	.....	14805.....	Gasket, Injector Body	.....	61562.....		Connector Assy, 1-1/2 inch NPT, Brass, DLFC to Drain Piping
	.....	61643-00.....	DLFC Assy, 1-1/4 inch, Brass, Blank	.....	42241-01.....		Connector Assy, 1-1/2 inch NPT, Plastic, DLFC to Drain Piping
	.....	61643-8.0.....	DLFC Assy, 1-1/4 inch, Brass, 8.0 gpm	.....	41243-01.....		Connector Assy, 1-1/4 inch and 1-1/2 inch, DLFC to Drain Piping
	.....	61643-9.0.....	DLFC Assy, 1-1/4 inch, Brass, 9.0 gpm	.....	42414-11.....		Connector Assy, 3/4-inch BSP, DLFC to Drain Piping
	.....	61643-10.....	DLFC Assy, 1-1/4 inch, Brass, 10.0 gpm	.....	42414-01.....		Connector Assy, 3/4-inch NPT, DLFC to Drain Piping
	.....	61643-12.....	DLFC Assy, 1-1/4 inch, Brass, 12.0 gpm	.....	61626.....		Connector Assy, 3/4-inch and 1-inch, DLFC to Drain Piping
	.....	61643-15.....	DLFC Assy, 1-1/4 inch, Brass, 15.0 gpm	.....	41596.....		Connector, Brass, 1-inch NPT, DLFC to Drain Piping
	.....	61643-20.....	DLFC Assy, 1-1/4 inch, Brass, 20.0 gpm				
	.....	61643-25.....	DLFC Assy, 1-1/4 inch, Brass, 25.0 gpm				
	.....	61640-00.....	DLFC, Plastic, Less Buttons				
	.....	61640-000.....	DLFC, Plastic, Less Buttons				
	.....	61640-01.....	DLFC, Plastic, Less Button				
	.....	61640-08.....	DLFC, Plastic, 8 gpm				
	.....	61640-09.....	DLFC, Plastic, 9 gpm				
	.....	61640-10.....	DLFC, Plastic, 10 gpm				
	.....	61640-15.....	DLFC, Plastic, 15 gpm				
	.....	61640-20.....	DLFC, Plastic, 20 gpm				
	.....	61640-25.....	DLFC, Plastic, 25 gpm				
	.....	61640-30.....	DLFC, Plastic, 30 gpm				
	.....	61640-35.....	DLFC, Plastic, 35 gpm				
	.....	61640-40.....	DLFC, Plastic, 40 gpm				
	.....	61640-45.....	DLFC, Plastic, 45 gpm				
	.....	61640-50.....	DLFC, Plastic, 50 gpm				
	.....	61640-55.....	DLFC, Plastic, 55 gpm				
	.....	61640-60.....	DLFC, Plastic, 60 gpm				
	.....	61640-65.....	DLFC, Plastic, 65 gpm				
	.....	61640-70.....	DLFC, Plastic, 70 gpm				

\*Do not use o-ring if control is side mounted

# POWERHEAD ASSEMBLY



61501-2850s Rev E

## POWERHEAD ASSEMBLY *CONTINUED*

Item No.	QTY	Part No.	Description
1	1	18697-15	Back Plate, Hinged
2	1	11839	Power Cord, 12-foot US, Flat, 120V
		40084-12	Power Cord, 12-foot Round, 120V
		40085-12	Power Cord, 12-foot Round, 240V
		19303	Power Cord, 8-foot Australian
		11545-01	Power Cord, 4-foot, Black, European
		19885-01	Power Cord Assy Japanese
3	1	13547	Strain Relief, Flat Cord
		13547-02	Strain Relief, Round Cord
4	1	40400	Harness, Drive, Designr/Envirmtl
5	2	10231	Screw, Slot, Hex 1/4 - 20 x 1/2
6	2	10218	Switch, Micro
7	2	10338	Pin, Roll, 3/32 x 7/8
8	2	14923	Screw, Pan Hd, Mach 4-40 x 1
9	1	41543	Motor, Drive, 115V, 50/60 Hz
		41545	Motor, Drive, 230V, 50/60 Hz
9A	1	42579	Motor, Drive, 24Vac/Dc, 50/60 Hz
10	1	12777	Cam, Shut-off Valve
11	2	10300	Screw, Hex Wash Hd, 8 x 3/8
12	2	19691	Plug, .750 Dia, Hole, Flush
13	1		Timer Assy, 3200
14	1	15806	Plug, Hole (Heyco)

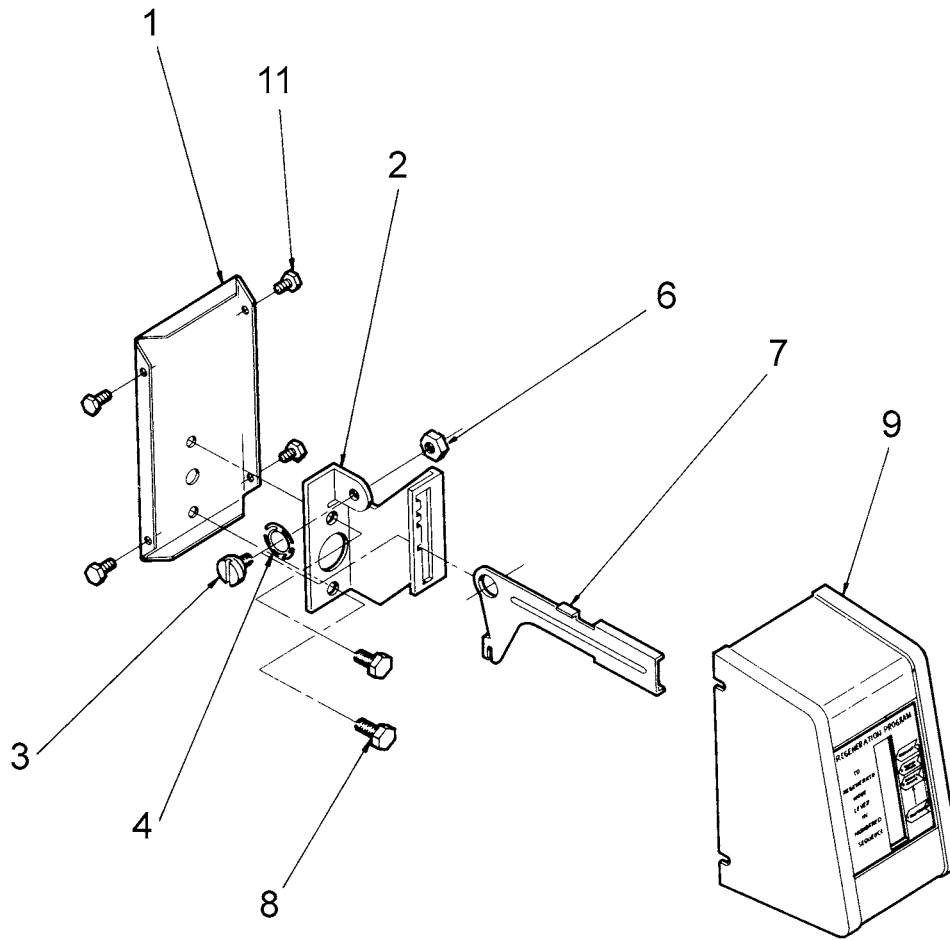
Item No.	QTY	Part No.	Description
15	1	16493	Plug, Hole, (Heyco) .88 Dia
16	1	17421	Plug, 1.20 Hole
17	7	19800	Plug, Hole, .140 Dia
18	4	19801	Plug, .190 Dia
19	1	60160-40	Cam, Drive, 2850s, STF, Gray
20	1	13366	Connecting Rod Bearing
21	1	42761	Ring, Retaining, 2850s, Clip
22	1	43560	Fitting, Brine Valve
23	1	10269	Nut, Jam, 3/4-16
24	1	10872	Screw, Hex Wsh, 8-32 x 17/64
25	1	14202-01	Screw, Hex Wsh, 8-32 x 5/16
26	2	41581	Plug, Hole, .125 Dia, White
27	1		Switch Kit Assy, 1500 thru 2850s
28	*		Powerhead Assy, 2850s

### Not Shown:

1		60219-02	Cover Assy, Enviromental, Black with Clear Window
1		17741	Meter Cable, 16.5 inch long, 1-1/2 inch Brass Meter
1		15513	Meter Cable, 17.5-inch long, 1-1/2 inch Stainless Steel Meter
1		17470	Cable Guide Assy, 2850/3150

\*Call your distributor for Part Number

# MANUAL DRIVE ASSEMBLY



60409 Rev G

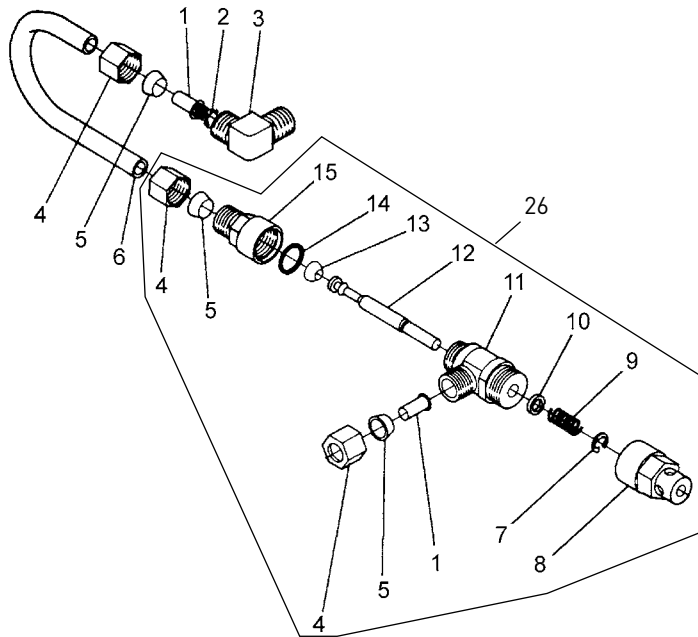
Item No.	QTY	Part No.	Description
1	1	12593	Backplate, Manual
2	1	42186	Bracket, 2850s, manual
3	1	12596	Screw, Spec Mach, 1/4 - 20 x 1/2
4	1	12707	Washer, Spring
6	1	11235	Nut, Hex, 1/4 - 20, Mach Screw, Zinc
7	1	42185	Lever, 2850s, Manual
8	2	10231	Screw, Slot Hex, 1/4 - 20 x 1/2 18-8 SS
9	1	60224-32	Cover Assy, Manual, Filter
	1	60224-33	Cover Assy, Manual, Softener
11	4	10300	Screw, Slot Hex Wsh, 8-18 x 3/8 Type "B" RC44-47

**Not Shown:**

1	10909	Pin, Link
---	-------	-----------

[ THIS PAGE LEFT INTENTIONALLY BLANK ]

# 1600 SERIES BRINE SYSTEM



60029 Rev C

Item No.	QTY	Part No.	Description
1	2	10332	Fitting, Insert, 3/8
2	1	12767	Screen, Brine
3	1	10328	Fitting, Elbow, 90 Deg. 1/4 PT x 3/8 Tube
4	3	10329	Fitting, Tube, 3/8 Nut, Brass
5	3	10330	Fitting, Sleeve, 3/8 Celcon
6	1	16508	Tube, Brine, 1600, PVC
		16508-01	Tube, Brine Valve, 2850/2900s
		12774	Tube, Brine Valve, 1500
		40027	Tube, Brine Valve, 2510
		15221	Tube, Brine Valve, 2750/2900
		42184	Tube, Brine Valve, 2850s
		41683*	Tube, Brine Valve, UF, 1600/1650
7	1	10250	Ring, Retaining
8	1	11749	Guide, Brine Valve Stem
9	1	10249	Spring, Brine Valve
10	1	12550	Quad Ring, -009
11	1	12748	Brine Valve Body Assy, 1600 w/Quad Ring
12	1	12552-02	Brine Valve Stem, 1600, with seat
13	1	12626	Seat, Brine Valve

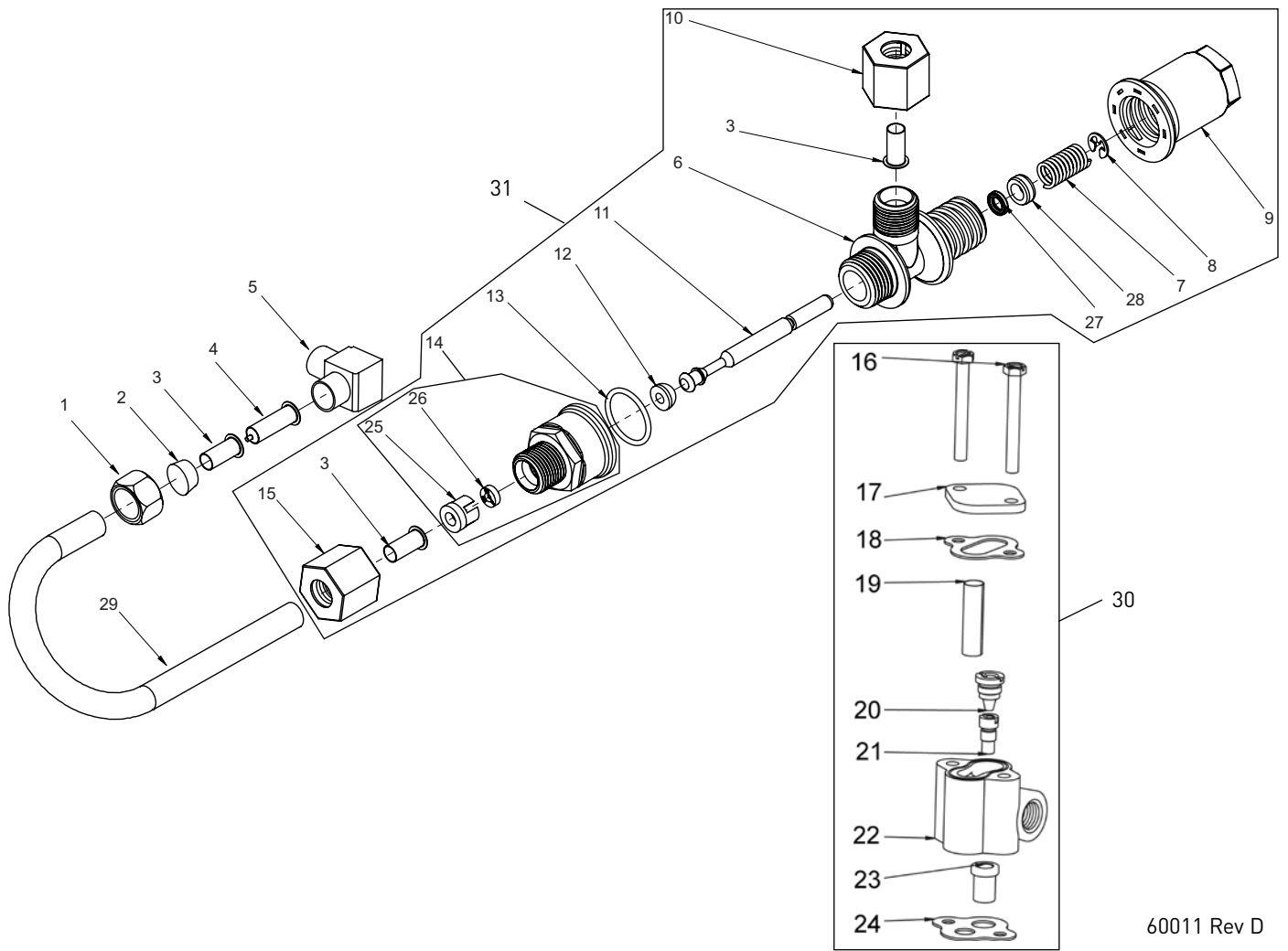
Item No.	QTY	Part No.	Description
14	1	11982	O-ring, -016
15	1	60020-25	BLFC, .25 GPM, 1600
		60020-50	BLFC, .50 GPM, 1600
		60020-100	BLFC, 1.0 GPM, 1600
16	2	10692	Screw, Slot Hex Hd, 10 - 24X 18-8 Stainless Steel
17	1	11893	Cap, Injector, SS
18	1	10229	Gasket, Injector Cap, 1600
19	1	10227	Screen, Injector
20	1	10913-000	Nozzle, Injector, #000, Brown
		10913-00	Nozzle, Injector, #00, Violet
		10913-0	Nozzle, Injector, #0, Red
		10913-1	Nozzle, Injector, #1, White
		10913-2	Nozzle, Injector, #2, Blue
		10913-3	Nozzle, Injector, #3, Yellow
		10913-4	Nozzle, Injector, #4, Green
		12973-0	Nozzle, Injector, #0, PVC Grey
		12973-1	Nozzle, Injector, #1, PVC Grey
		12973-2	Nozzle, Injector, #2, PVC Grey
		12973-3	Nozzle, Injector, #3, PVC Grey
		12973-4	Nozzle, Injector, #4, PVC Grey
		10225-0	Nozzle, Injector, #0, Stainless Steel
		10225-1	Nozzle, Injector, #1, Stainless

## 1600 SERIES BRINE SYSTEM *CONTINUED*

Item No.	QTY	Part No.	Description
			Steel
		10225-2	Nozzle, Injector, #2, Stainless Steel
		10225-3	Nozzle, Injector, #3, Stainless Steel
		10225-4	Nozzle, Injector, #4, Stainless Steel
21	1	10914-000	Throat, Injector, #000, Brown
		10914-00	Throat, Injector, #00, Violet
		10914-0	Throat, Injector, #0, Red
		10914-1	Throat, Injector, #1, White
		10914-2	Throat, Injector, #2, Blue
		10914-3	Throat, Injector, #3, Yellow
		10914-4	Throat, Injector, #4, Green
		12974-0	Throat, Injector, #0, PVC Grey
		12974-1	Throat, Injector, #1, PVC Grey
		12974-2	Throat, Injector, #2, PVC Grey
		12974-3	Throat, Injector, #3, PVC Grey
		12974-4	Throat, Injector, #4, PVC Grey
		10226-0	Throat, Injector, #0, Stainless Steel
		10226-1	Throat, Injector, #1, Stainless Steel
		10226-2	Throat, Injector, #2, Stainless Steel
		10226-3	Throat, Injector, #3, Stainless Steel
		10226-4	Throat, Injector, #4, Stainless Steel
22	1	17776	Body, Injector, 1600
	1	17776-02*	Body, Injector, 1600 Upflow
23	1	16221	Dispenser, Air
24	1	14805	Gasket, Injector Body, 1600/1700
25		60480-01	Injector Assy, 1600, #1 Plastic
		60480-02	Injector Assy, 1600, #2 Plastic
		60480-03	Injector Assy, 1600, #3 Plastic
		60480-04	Injector Assy, 1600, #4 Plastic
		60481-21	Injector Assy, 1600, #1, S.S. Brass
		60481-22	Injector Assy, 1600, #2, S.S. Brass
		60481-23	Injector Assy, 1600, #3, S.S. Brass
		60080-11	Injector Assy, 1600, #1, PVC
		60080-12	Injector Assy, 1600, #2, PVC
		60080-14	Injector Assy, 1600, #4, PVC
26		60029-010	Brine Valve, 1600, 0.25 gpm
		60029-020	Brine Valve, 1600, 0.50 gpm
		60029-030	Brine Valve, 1600, 1.0 gpm

\*Upflow Only

# 1650 BRINE SYSTEM ASSEMBLY



60011 Rev D

Item No.	QTY	Part No.	Description
1	1	10329	Fitting, Tube, 3/8 Nut, Brass
2	1	10330	Fitting, Sleeve, 3/8 Celcon
3	3	10332	Fitting, Insert, 3/8
4	1	12767	Screen, Brine
5	1	10328	Fitting, Elbow, 90 Deg 1/4 NPT x 3/8T
6	1	17884	Brine Valve Body Assy, 1650
7	1	10249	Spring, Brine Valve
8	1	10250	Ring, Retaining
9	1	17906	Guide, Brine Valve Stem
10	1	19625	Nut Assy, 3/8-inch, Plastic
11	1	12552-02	Brine Valve Stem, 1600
12	1	12626	Seat, Brine Valve
13	1	16924	O-ring, -018
14**	1	60010-25	BLFC, 1650, .25 GPM, Plastic

Item No.	QTY	Part No.	Description
1	1	60010-50	BLFC, 1650, .50 GPM, Plastic
1	1	60010-100	BLFC, 1650, 1.0 GPM, Plastic
15	1	19625	Nut Assy, 3/8-inch, Plastic
16	2	10692	Screw, Slot Hex Hd, 10 - 24X 18-8 Stainless Steel
17	1	11893	Cap, Injector, Stainless Steel
18	1	10229	Gasket, Injector Cap, 1600
19	1	10227	Screen, Injector
20	1	10913-000	Nozzle, Injector, #000, Brown
		10913-00	Nozzle, Injector, #00, Violet
		10913-0	Nozzle, Injector, #0, Red
		10913-1	Nozzle, Injector, #1, White
		10913-2	Nozzle, Injector, #2, Blue
		10913-3	Nozzle, Injector, #3, Yellow
		10913-4	Nozzle, Injector, #4, Green
		12973-0	Nozzle, Injector, #0, PVC Grey
		12973-1	Nozzle, Injector, #1, PVC Grey
		12973-2	Nozzle, Injector, #2, PVC Grey
		12973-3	Nozzle, Injector, #3, PVC Grey



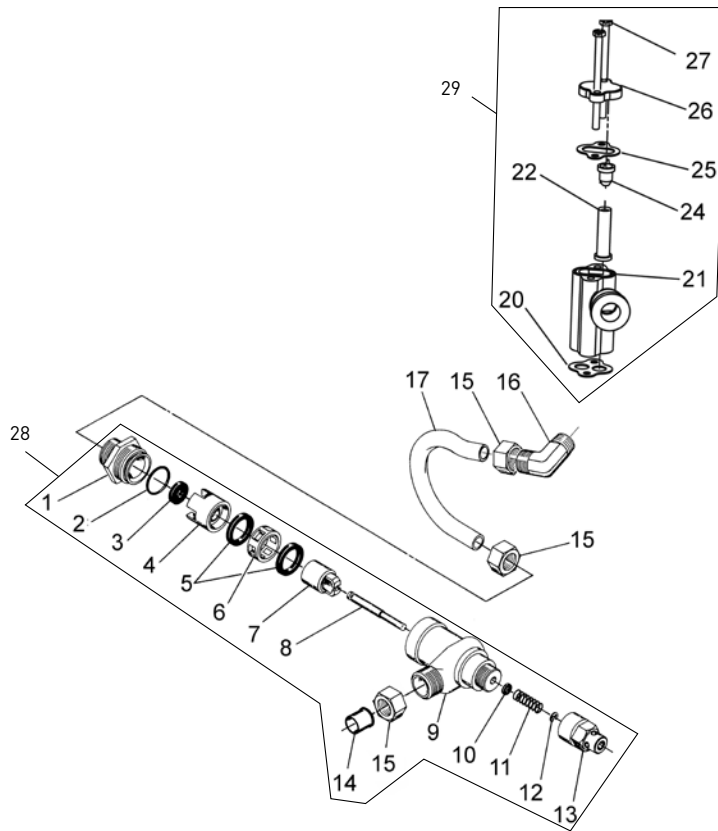
# 1650 BRINE SYSTEM ASSEMBLY *CONTINUED*

Item No.	QTY	Part No.	Description	Item No.	QTY	Part No.	Description
		12973-4	Nozzle, Injector, #4, PVC Grey	1		12094	Washer, Flow Control .25 GPM
		10225-0	Nozzle, Injector, #0, Stainless Steel	1		12097	Washer, Flow Control 1.0 GPM
		10225-1	Nozzle, Injector, #1, Stainless Steel	27	1	12550	Quad Ring -009
		10225-2	Nozzle, Injector, #2, Stainless Steel		1	12550-01	Quad Ring -009 560CD
		10225-3	Nozzle, Injector, #3, Stainless Steel	28	1	17908	Sleeve, Brine Valve Stem
		10225-4	Nozzle, Injector, #4, Stainless Steel	29	1	16508-01	Tube, Brine Valve, 2850/1600
21	1	10914-000	Throat, Injector, #000, Brown		1	40027	Tube, Brine Valve, 2510
		10914-00	Throat, Injector, #00, Violet		1	42184	Tube, Brine Valve, 2850s
		10914-0	Throat, Injector, #0, Red		1	12774	Tube, Brine Valve, 1500
		10914-1	Throat, Injector, #1, White		1	15221	Tube, Brine Valve, 2750
		10914-2	Throat, Injector, #2, Blue		1	41683*	Tube, Brine Valve, UF, 1600/1650
		10914-3	Throat, Injector, #3, Yellow	30		60480-01	Injector Assy, 1600, #1 Plastic
		10914-4	Throat, Injector, #4, Green			60480-02	Injector Assy, 1600, #2 Plastic
		12974-0	Throat, Injector, #0, PVC Grey			60480-03	Injector Assy, 1600, #3 Plastic
		12974-1	Throat, Injector, #1, PVC Grey			60480-04	Injector Assy, 1600, #4 Plastic
		12974-2	Throat, Injector, #2, PVC Grey			60481-21	Injector Assy, 1600, #1, S.S. Brass
		12974-3	Throat, Injector, #3, PVC Grey			60481-22	Injector Assy, 1600, #2, S.S. Brass
		12974-4	Throat, Injector, #4, PVC Grey			60481-23	Injector Assy, 1600, #3, S.S. Brass
		10226-0	Throat, Injector, #0, Stainless Steel			60080-11	Injector Assy, 1600, #1, PVC
		10226-1	Throat, Injector, #1, Stainless Steel			60080-12	Injector Assy, 1600, #2, PVC
		10226-2	Throat, Injector, #2, Stainless Steel			60080-14	Injector Assy, 1600, #4, PVC
		10226-3	Throat, Injector, #3, Stainless Steel	31		60011-010	Brine Valve, 1650, 0.25 gpm
		10226-4	Throat, Injector, #4, Stainless Steel			60011-020	Brine Valve, 1650, 0.50 gpm
22	1	17776	Body, Injector, 1600			60011-030	Brine Valve, 1650, 1.0 gpm
	1	17776-02*	Body, Injector, 1600 Upflow				
23	1	16221	Dispenser, Air				
24	1	14805	Gasket, Injector Body, 1600/1700				
25	1	12098	Retainer, Flow Control				
26	1	12095	Washer, Flow Control .50 GPM				

\*Upflow Only

\*\*Item 14 includes Items 25 and 26

# 1700 BRINE SYSTEM ASSEMBLY

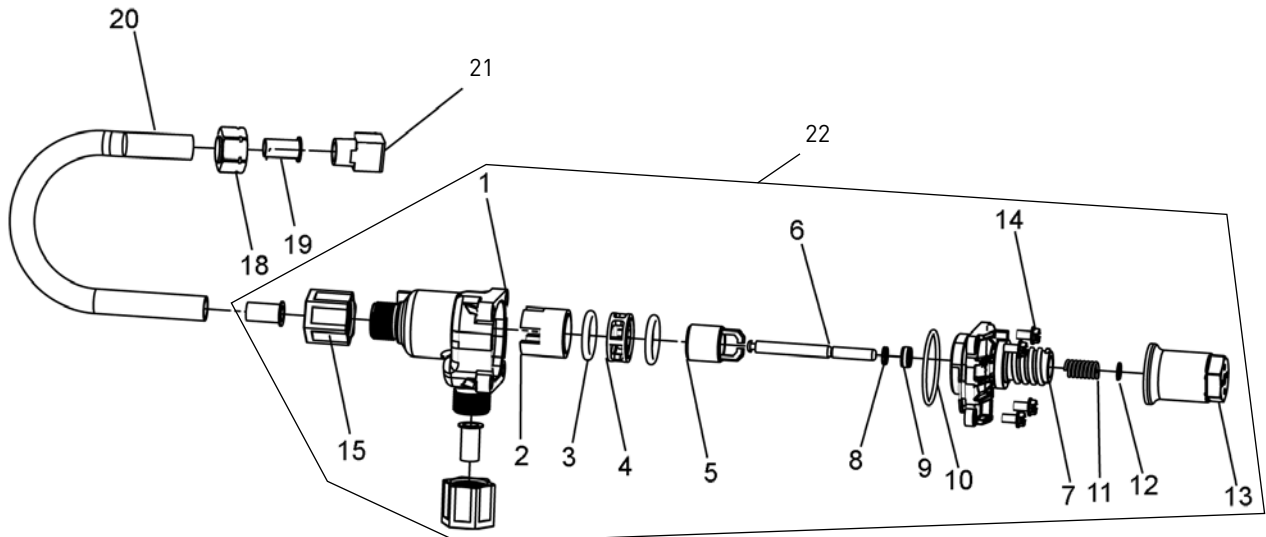


60034 Rev D

## 1700 BRINE SYSTEM ASSEMBLY *CONTINUED*

Item No.	QTY	Part No.	Description	Item No.	QTY	Part No.	Description
1	1	14792	Plug, End, Brine Valve	28	1	60034-00	Brine Valve, 1700, Blank
2	1	13201	Quad Ring, -020			60034-10	Brine Valve, 1700, 1.0 gpm
3	1	12085	Washer, Flow, 1.2 GPM			60034-12	Brine Valve, 1700, 1.2 gpm
		12086	Washer, Flow, 1.5 GPM			60034-15	Brine Valve, 1700, 1.5 gpm
		12087	Washer, Flow, 2.0 GPM			60034-20	Brine Valve, 1700, 2.0 gpm
		12088	Washer, Flow, 2.4 GPM			60034-24	Brine Valve, 1700, 2.4 gpm
		12089	Washer, Flow, 3.0 GPM			60034-30	Brine Valve, 1700, 3.0 gpm
		12090	Washer, Flow, 3.5 GPM			60034-40	Brine Valve, 1700, 4.0 gpm
		12091	Washer, Flow, 4.0 GPM			60034-50	Brine Valve, 1700, 5.0 gpm
		12092	Washer, Flow, 5.0 GPM	29	1	60381-03	Injector Assy, 1700, #3c, Complete
4	1	14785	Retainer, Flow Control			60381-04	Injector Assy, 1700, #4c, Complete
5	3	14811	O-ring, -210, 560CD, Brine			60381-05	Injector Assy, 1700, #5c, Complete
6	1	14798	Spacer, 1700, Brine			60381-06	Injector Assy, 1700, #6c, Complete
7	1	14795	Piston, Brine Valve	<b>Not Shown:</b>			
8	1	14797	Brine Valve Stem	1	16974	Fitting, Plastic, Female, 3/4 x 3/4 Slip	
9	1	14790	Brine Valve Body	1	17996	Dispenser, Air, Injector	
10	1	12550	Quad Ring, -009	*Upflow Only			
11	1	15310	Spring, Brine Valve	<b>NOTE: Item number 26 (11893) is used on injector sizes 2 through 5C. Part number 10228 is used on injector sizes 6C.</b>			
12	1	10250	Retaining Ring				
13	1	15517	Guide, Stem				
14	1	15415	Fitting, Insert, 1/2-inch, Tube				
15	3	15414	Nut, 2900, w/Sleeve				
16	1	15413	Fitting, Elbow, Male, 1/2T x 3/8 NPT				
17	1	15416	Tube, Brine, 2900/2750				
		16460	Tube, Brine, 2850/2900s				
		41447*	Tube, Brine, 2900s, U/F				
		42183	Tube, Brine, 1700, 2850s				
20	1	14805	Gasket, Injector Body 1600/1700				
21	1	17777	Body, Injector, 1700				
		17777-02*	Body, Injector, 1700 U/F				
22	1	14802-03c	Throat, Injector, #3c, Yellow				
		14802-04c	Throat, Injector, #4c, Green				
		14802-05c	Throat, Injector, #5c, White				
		14802-06c	Throat, Injector, #6c, Red				
24		14801-03c	Nozzle, Injector, #3c, Yellow				
		14801-04c	Nozzle, Injector, # 4c, Green				
		14801-05c	Nozzle, Injector, # 5c, White				
		14801-06c	Nozzle, Injector, # 6c, Red				
25	1	10229	Gasket, Injector Cap, 1600				
26	1	11893	Cap, Injector, Stainless Steel				
		10228	Cap, Injector				
27	2	14804	Screw, Hex Hd Mach, 10 - 24 x 2-3/4 inch 18-8 Stainless Steel				

# 1710 BRINE SYSTEM ASSEMBLY



60604 Rev F

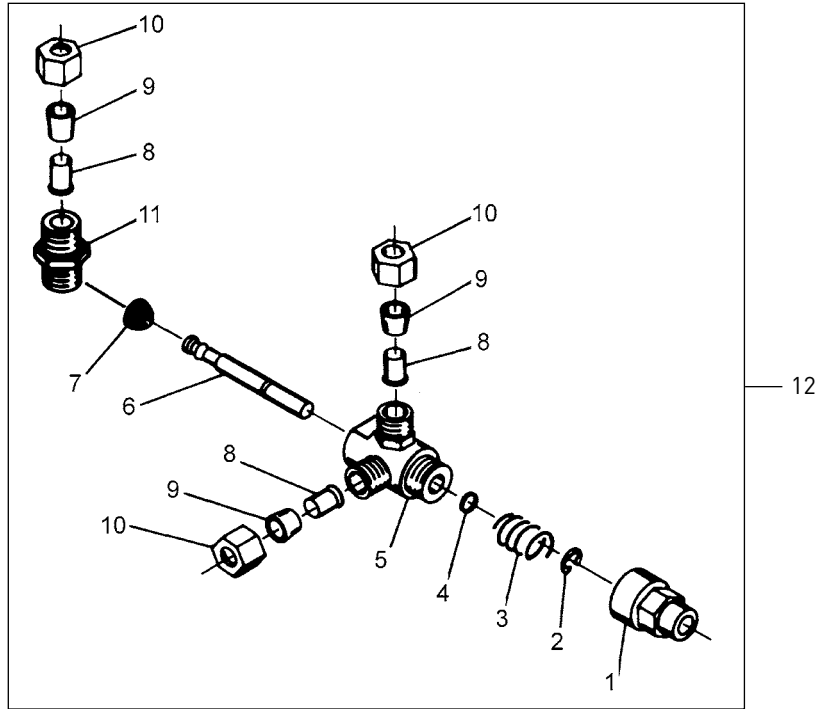
Item No.	QTY	Part No.	Description
1	1	41202	Brine Valve, 1700, Plastic, Top
2	1	14785-01	Retainer, Flow Control
3	1	14811	O-Ring, -210, 560CD, Brine
4	1	14798	Spacer, 1700, Brine
5	1	14795	Piston, Brine Valve
6	1	41203	Stem, Brine, 1710, Plastic, 2900
7	1	41201	Brine Valve, 1700, Plastic, Bottom
8	5	17908	Sleeve, Brine Valve Stem
9	1	12550	Quad Ring, -009
10	3	41547	O-Ring, 2mmx35mm
11	2	15310	Spring, Brine Valve
12	2	10250	Ring, Retaining
13	1	17906	Guide, Brine Valve Stem
14	2	14202-01	Screw, Hex Wsh Mach, 8-32 X 5/16
15	2	41056	Nut Assembly, 1/2-inch Plastic
18	1	15414	Nut, 2900, w/Sleeve
19	1	15415	Fitting, Insert, 1/2-inch, Tube
20	1	16460	Tube, Brine, 2850, 2900s
	1	42183	Tube, Brine, 1700/2850s
	1	15416	Tube, Brine, 2900/2750
	1	41447*	Tube, Brine, 2900s U/F
21	1	15413	Fitting, Elbow, Male, 1/2T X

Item No.	QTY	Part No.	Description
22		60605-00	Brine Valve, 1710, 2750, Blank
		60605-10	Brine Valve, 1710, 2750, 1.0 gpm
		60605-12	Brine Valve, 1710, 2750, 1.2 gpm
		60605-15	Brine Valve, 1710, 2750, 1.5 gpm
		60605-20	Brine Valve, 1710, 2750, 2.0 gpm
		60605-24	Brine Valve, 1710, 2750, 2.4 gpm
		60605-30	Brine Valve, 1710, 2750, 3.0 gpm
		60605-40	Brine Valve, 1710, 2750, 4.0 gpm
		60605-50	Brine Valve, 1710, 2750, 5.0 gpm

### Not Shown

1		19151	Washer, Flow, 1.0 gpm
1		17996	Dispenser, Air, Injector
1		414193-00	Label, Blank, BLFC, 1710

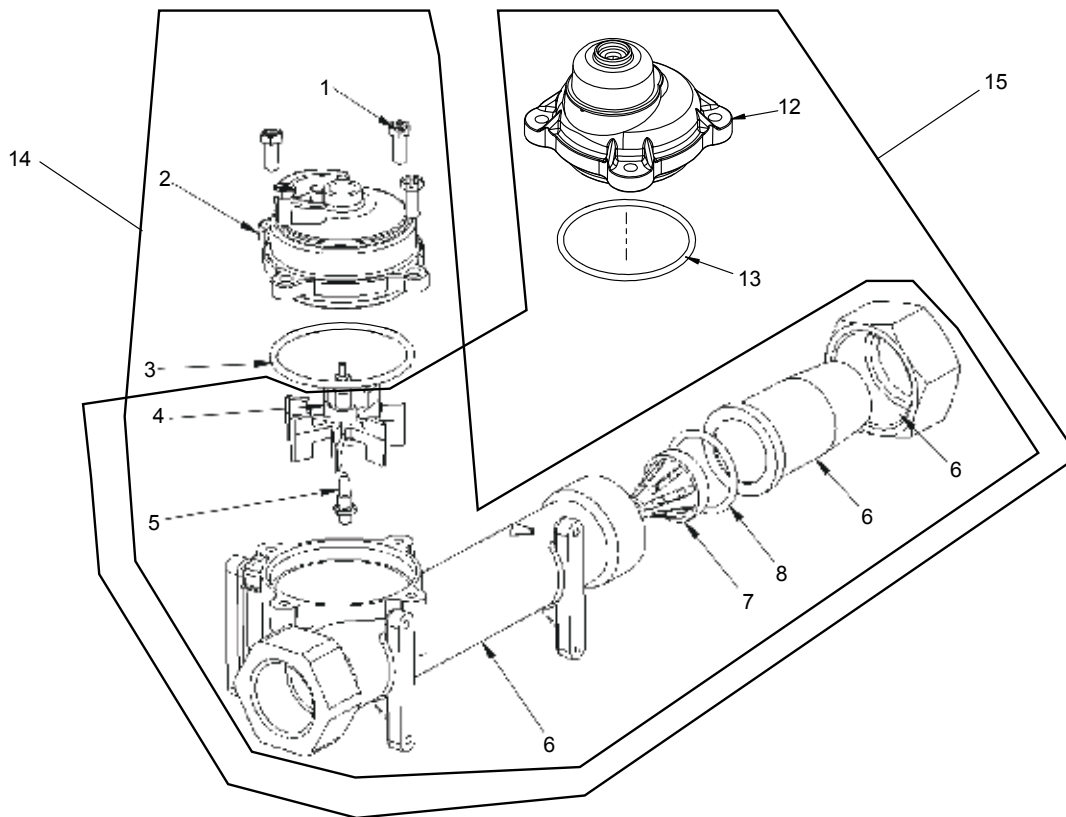
# 1600 SERVICE VALVE OPERATOR ASSEMBLY (OLD STYLE)



60150 Rev A

Item No.	QTY	Part No.	Description
1	1	11749	Guide, Brine Valve Stem
2	1	10250	Ring, Retaining
3	1	10249	Spring, Brine Valve
4	1	12550	Quad Ring, -009
5	1	10785	SVO Body Assy Brass Valves
6	1	12552-02	Brine Valve Stem, 1600, w/ Seat
7	1	12626	Seat, Brine Valve
8	3	10332	Fitting, Insert, 3/8
9	3	10330	Fitting, Sleeve, 3/8 Celcon
10	3	10329	Fitting, Tube, 3/8 Nut, Brass
11	1	10331	Fitting, Compression, 1/4- inch x 3/8-inch
12	1	60150	Service Valve Operator, Assy, 1600, Old Style, Complete

# 1-INCH BRASS METER ASSEMBLY



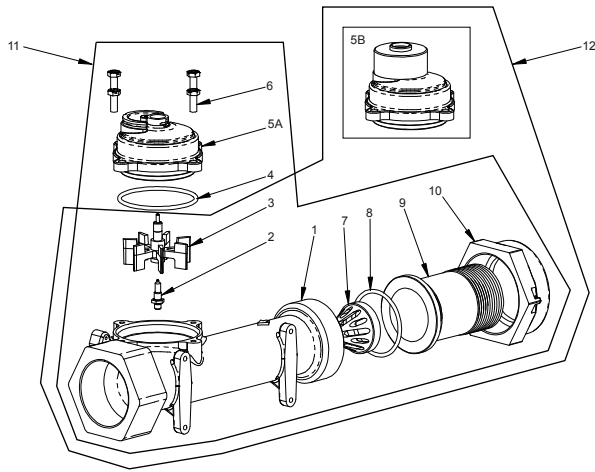
Item No.	QTY	Part No.	Description
1	4	12112	Screw, Slotted Hex Head, #10 - 24 x .50
2	1	14038	Cap, Meter, STD Range, Plastic
3	1	13847	O-ring, -137
4	1	13509	Impeller, Meter
	1	13509-01	Impeller, Celcon, Hot Water
5	1	13882	Post, Meter Impeller
6	1	14959	Body, Meter, 27550
	1	60628NP	Meter Assy, 1-inch, NP
		14959	Body, Meter, 2750
		14961	Fitting, Nipple, 1-inch, Quick Connect
		14962	Nut, 1-inch Meter, Quick Connect
7	1	14960	Flow Straightener
8	1	13287	O-ring, 123
12	1	15150	Meter Cap Assy, Ext, Range, Plastic
13	1	13847	O-ring, -137
14		60391	Meter Assy, 1-inch, NPT, STD Range, Brass, Paddlewheel
		60391NP	Meter Assy, 1-inch Inline, NPT, STD Nickel Plated, Paddlewheel
		60391HW	Meter Assy, 1-inch Inline, NPT, STD, Brass, Hot Water, Paddlewheel

Item No.	QTY	Part No.	Description
15		60392	Meter Assy, 1-inch Inline, NPT EXT Range
		60392NP	Meter Assy, 1-inch Inline, NPT, EXT Brass Body, Nickel Plated, Paddlewheel

### Not Shown

1		15218	Meter Cap Assy, STD Range, Brass, Hot Water
1		15237	Meter Cap Assy, EXT Range, Brass, Hot Water

# 1-1/2 INCH BRASS METER ASSEMBLY



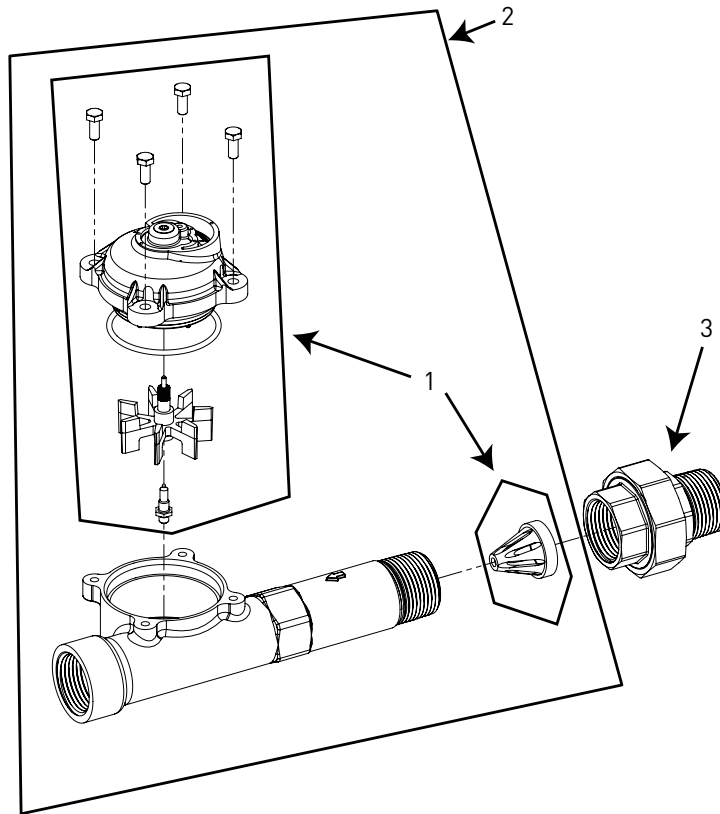
Item No.	QTY	Part No.	Description
1	1	17569	Body, Meter, 2850/9500
2	1	13882	Post, Meter Impeller
3	1	13509	Impeller, Meter
	1	13509-01	Impeller, Celcon, Hot Water
4	1	13847	O-Ring, -137, Std/560CD, Meter
5A	1	14038	Meter Cap Assy, STD Range, Plastic
5B	1	15150	Meter Cap Assy, Ext Range, Plastic
6	4	12112	Screw, Hex Hd Mach, 10-24 x 1/2 18-8 Stainless Steel
7	1	17542	Flow Straightener, 1-1/2 inch
8	1	12733	O-Ring, -132
9	1	17544	Fitting, 1-1/2 inch Quick Connector
10	1	17543	Nut, 1-1/2 inch, Q/C
11		60610-01	Meter Assy, 1-1/2 inch, NPT, STD, Brass, Paddlewheel
		60610-01NP	Meter Assy, 1-1/2 inch Inline, NPT, STD Brass Body, Nickel Plated, Paddlewheel
		60610-01HW	Meter Assy, 1-1/2 inch Inline, NPT, STD Brass, Hot Water, Paddlewheel
		60610-21	Meter Assy, 1-1/2 inch, BSP, STD, Brass, Paddlewheel
		60610-21NP	Meter Assy, 1-1/2 inch Inline, BSP, STD, Brass Body, Nickel Plated, Paddlewheel
		60611-01	Meter Assy, 1-1/2 inch Inline, NPT, STD, Brass Body, Paddlewheel, Sleeve to 1-inch
		60611-01NP	Meter Assy, 1-1/2 inch Inline, NPT, STD Nickel Plated, Paddlewheel, Sleeve to 1-inch

Item No.	QTY	Part No.	Description
		60611-23	Meter Assy, 1-1/2 inch Inline, BSP, STD, Paddlewheel, Sleeve to 1-inch
		60611-23NP	Meter Assy, 1-1/2 inch Inline, BSP/MET STD, Nickel Plated, Paddlewheel, 1-inch Sleeve
12		60610-02	Meter Assy, 1-1/2 inch, NPT, STD, Brass Paddlewheel
		60610-02NP	Meter Assy, 1-1/2 inch Inline, NPT, EXT Nickel Plate, Paddlewheel
		60610-02HW	Meter Assy, 1-1/2 inch Inline, NPT, EXT Brass, Hot Water, Paddlewheel
		60610-22	Meter Assy, 1-1/2 inch, BSP, EXT, Brass, Paddlewheel
		60610-22NP	Meter Assy, 1-1/2 inch Inline, BSP EXT, Brass Body, Nickel Plate, Paddlewheel
		60611-02	Meter Assy, 1-1/2 inch Inline, NPT, EXT Brass Body, Paddlewheel, Sleeve to 1-inch
		60611-02NP	Meter Assy, 1-1/2 inch Inline, NPT, EXT Nickel Plated, Paddlewheel, Sleeve to 1-inch
		60611-22	Meter Assy, 1-1/2 inch Inline, BSP, EXT Brass Body, Paddlewheel, Sleeve to 1-inch
		60611-22NP	Meter Assy, 1-1/2 inch Inline, BSP, EXT, Nickel, Paddlewheel, Sleeve to 1-inch

## Not Shown

1		17790	Sleeve, Meter, 1 1/2 inch x 1-inch
1		15218	Meter Cap Assy, STD Range, Brass, Hot Water
1		15237	Meter Cap Assy, EXT Range, Brass, Hot Water

# 1-1/2 INCH STAINLESS STEEL METER ASSEMBLY



**⚠ IMPORTANT:** For valves equipped with electromechanical timers and stainless steel meters, refer to the Meter Dome and Union Orientation section.

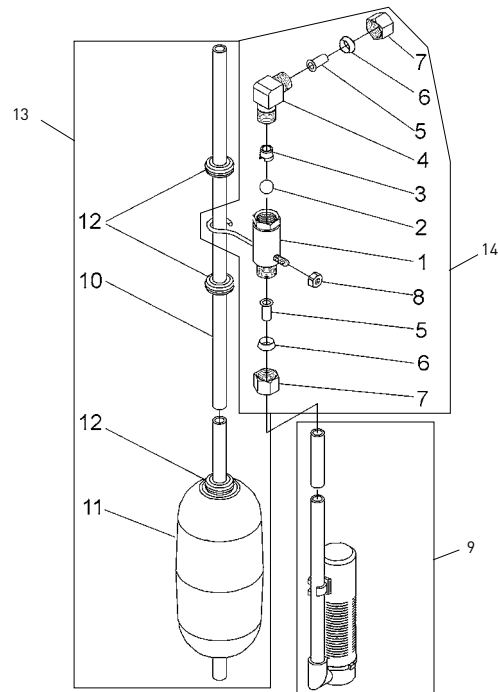
Item No.	QTY	Part No.	Description
1	1	62049-01	Service Kit, 1 inch & 1-1/2 inch Meter, Standard Range
1	1	62049-02	Service Kit, 1 inch & 1-1/2 inch Meter, Extended Range
2	1	61933-10	Meter Assy, 1-1/2 inch, Inline, Stainless Steel, NPT, Standard Range
1	1	61933-11	Meter Assy, 1-1/2 inch, Inline, Stainless Steel, NPT, Extended Range
1	1	61933-20	Meter Assy, 1-1/2 inch, Inline, Stainless Steel, BSP, Standard Range
1	1	61933-21	Meter Assy, 1-1/2 inch, Inline, Stainless Steel, BSP, Extended Range
3	1	44024	Union, 1-1/2 inch, NPT (Optional on models with electronic controls)
1	1	44025	Union, 1-1/2 inch, BSP (Optional on models with electronic controls)

**Not Shown (optional)**

1	1	62072	Meter Sleeve, 1-1/2 inch to 1 inch (optional)
---	---	-------	---



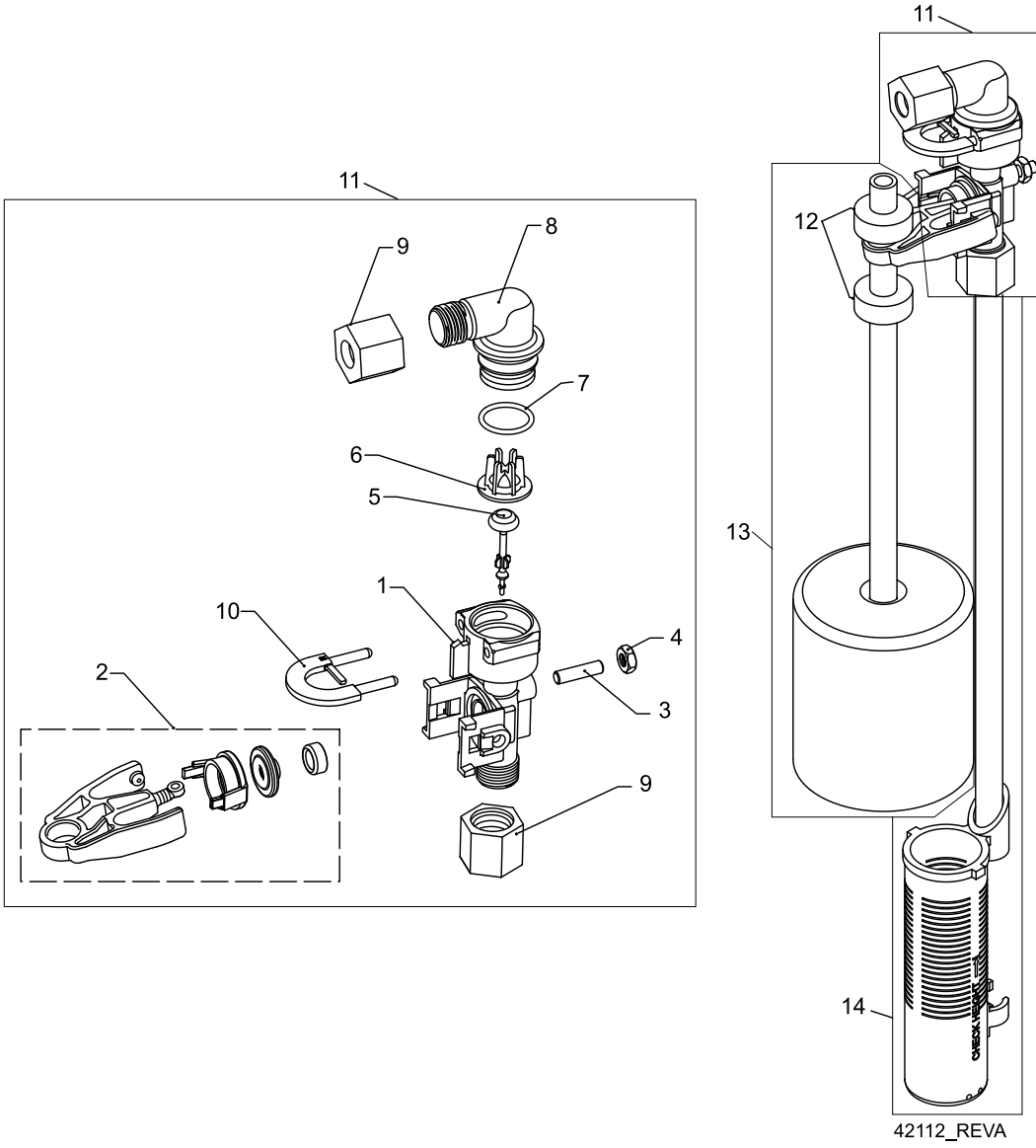
# 2300 SAFETY BRINE VALVE



60027 Rev D

Item No.	QTY	Part No.	Description	Item No.	QTY	Part No.	Description
1	1	60027-00	Safety Brine Valve, 2300, Less Elbow	10	1	10149	Rod, Float, 30-inch
2	1	10138	Ball, 3/8-inch, Brass	11	1	10700	Float Assy, White
3	1	11566	Ball Stop, Slow Fill	12	3	10150	Grommet, .30 Dia
4	1	10328	Fitting, Elbow, 90 Deg. 1/4 NPT x 3/8 Tube	13	1	60028-30	Float Assy, 2300, 30-inch White
5	1	10332	Fitting, Insert, 3/8	14	1	60027-FFA	Safety Brine Valve, 2300, Fitting Facing Arm
6	1	10330	Fitting, Sleeve, 3/8 Celcon	1	1	60027-FFS	Safety Brine Valve, 2300 Fitting Facing Stud
7	1	10329	Fitting, Tube, 3/8 Nut, Brass				
8	1	10186	Nut, Hex, 10-32				
9	1	60002-10	Air Check, #500, American Hydro				
		60002-11.38	Air Check, #500, 11.38 inches Long				
		60002-24	Air Check, #500, 24 inches Long				
		60002-27	Air Check, #500, 27 inches Long				
		60002-32	Air Check, #500, 32 inches Long				
		60002-34	Air Check, #500, 34 inches Long				
		60002-36	Air Check, #500, 36 inches Long				
		60002-48	Air Check, #500, 48 inches Long				
		60002-26.25	Air Check, #500, 26.25 inches Long				
		60002-33.25	Air Check, #500, 33.25 inches Long				

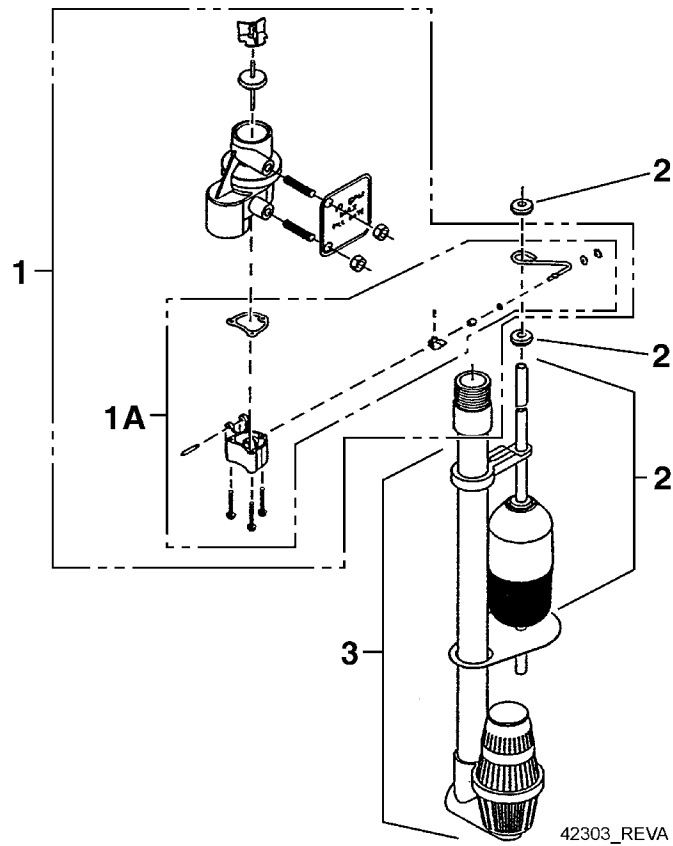
**2310 SAFETY BRINE VALVE**



## 2310 SAFETY BRINE VALVE *CONTINUED*

Item No.	QTY	Part No.	Description	Item No.	QTY	Part No.	Description
1	1	19645	Body, Safety Brine Valve, 2310	.....	60002-11.38	.....	Air Check, #500, 11.38 inches Long
2	1	19803	Safety Brine Valve Assy	.....	60002-24	.....	Air Check, #500, 24 inches Long
3	1	19804	Screw, Sckt Hd, Set, 10-24 x .75	.....	60002-27	.....	Air Check, #500, 27 inches Long
4	1	19805	Nut, Hex, 10-24, Nylon Black	.....	60002-32	.....	Air Check, #500, 32 inches Long
5	1	19652-01	Poppet Assy, SBV w/O-ring	.....	60002-34	.....	Air Check, #500, 34 inches Long
6	1	19649	Flow Dispenser	.....	60002-36	.....	Air Check, #500, 36 inches Long
7	1	11183	O-ring, -017	.....	60002-48	.....	Air Check, #500, 48 inches Long
8	1	19647	Elbow, Safety Brine Valve	.....	60002-26.25	.....	Air Check, #500, 26.25 inches Long
9	2	19625	Nut Assy, 3/8-inch Plastic	.....	60002-33.25	.....	Air Check, #500, 33.25 inches Long
10	1	18312	Retainer, Drain				
11	1	60014	Safety Brine Valve Assy, 2310				
12	2	10150	Grommet, .30 Dia				
13	1	60068-8.06	Float Assy, 2310, w/8.06-inch Rod				
		60068-10.5	Float Assy, 2310, w/10.5-inch Rod				
		60068-11.5	Float Assy, 2310, w/11.5-inch Rod				
		60068-20	Float Assy, 2310, w/20-inch Rod				
		60068-30	Float Assy, 2310, w/30-inch Rod				
14	1	60002-10	Air Check, #500, American Hydro				

## 2350 SAFETY BRINE VALVE



Item No.	QTY	Part No.	Description
1	1	60038	Safety Brine Valve, 2350
1A	1	61024	Actuator Assy, 2350 Brine
2	1	60028-30	Float Assy, 2350, 30-inch Wht
	1	60026-30SAN	Float Assy, 2350, 30-inch Hot Water
3	1	60009-00	Air Check, #900, Commercial Less Fittings
	1	60009-01	Air Check, #900, Commercial, Hot Water Less Fittings

### Not Shown

1	1	18603	Fitting Assy, 900 Air Check 2350
1	1	18602	Fitting Assy, 900 Air Check

[ THIS PAGE LEFT INTENTIONALLY BLANK ]

## SEAL & SPACER TOOLS & REPLACEMENT

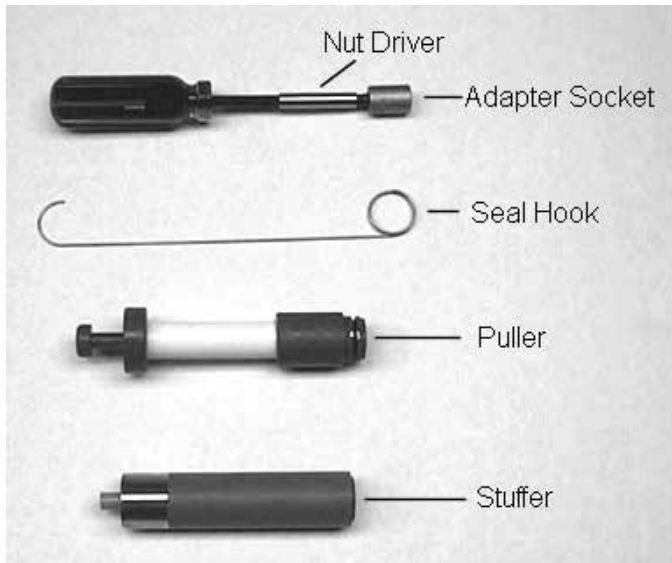


Figure 5

**NOTE: Photos shown are for reference only for replacing the seal and spacer. Actual valve may be different.**

1. Turn off water supply to valve. Next, cycle valve to backwash position, then to service. Now remove electrical plug from outlet.
2. Remove control box cover.
3. Disconnect the brine line from the injector housing to the brine valve (if your unit has timed brine tank fill).
4. Remove the two capscrews that hold the back plate to the valve.
5. Grasp the back plate on both sides and slowly pull end plug and piston assembly out of the valve body (see Figure 6) and lay aside.

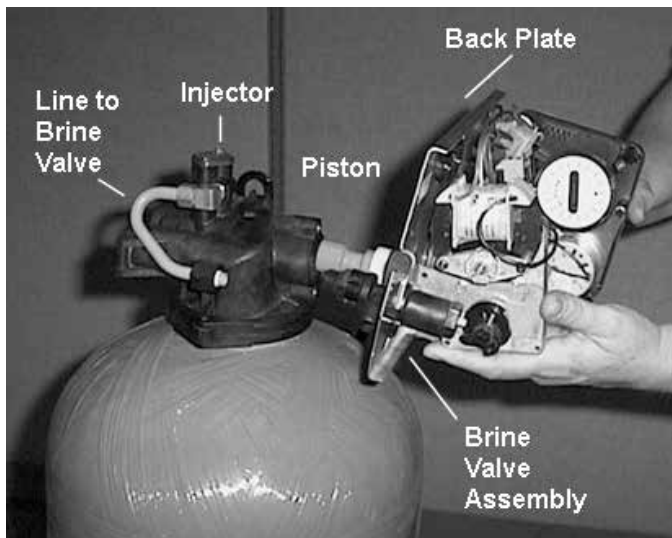


Figure 6

6. Remove the seal first using the wire hook with the finger loop (see Figure 7).

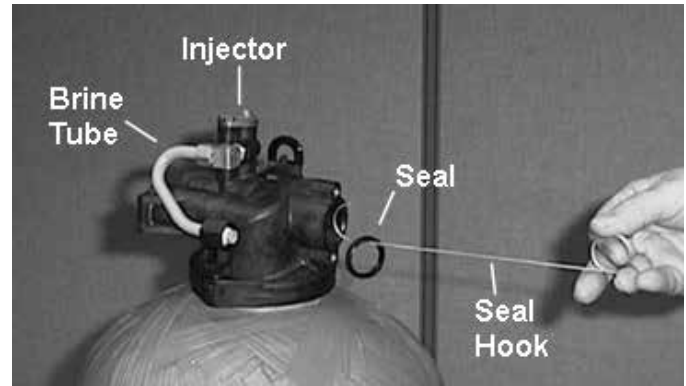


Figure 7

7. The spacer tool (use only for removing the spacers) has three retractable pins, retained by a rubber ring, at one end. They are retracted or pushed out by pulling or pushing the center button the opposite end.
8. Insert the pin end of the spacer tool into the valve body with the pins retracted (button pulled back). Push the tool tight against the spacer and push the button in, (see Figure 8). When the button is pushed in, the pins are pushed out to engage the 1/4 dia. holes in the spacer. Remove the tool from the valve body. The spacer will be on the end. Pull the center button back, the pins will be retracted and the spacer can be removed from the spacer tool.

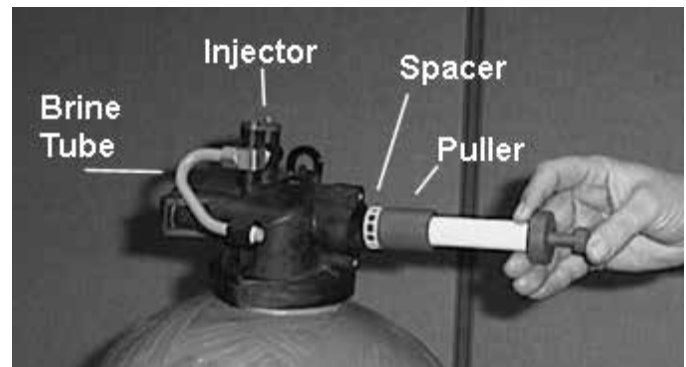


Figure 8

9. Alternately remove the remaining seals and spacers in accordance with steps No. 6 and 8.
10. The last or end spacer does not have any holes for the pins of the spacer tool to engage, therefore if the end spacer does not come out on the first try, try again using the wire hook with the finger loop.
11. To replace seals, spacers and end ring, use special tool with the brass sleeve on one end. This is a double-purpose tool (see Figure 9). The male end acts as a pilot to hold the spacers as they are pushed into the valve body and the brass female end is used to insert the seals into the valve

## SEAL & SPACER TOOLS & REPLACEMENT

*CONTINUED*

---

body.

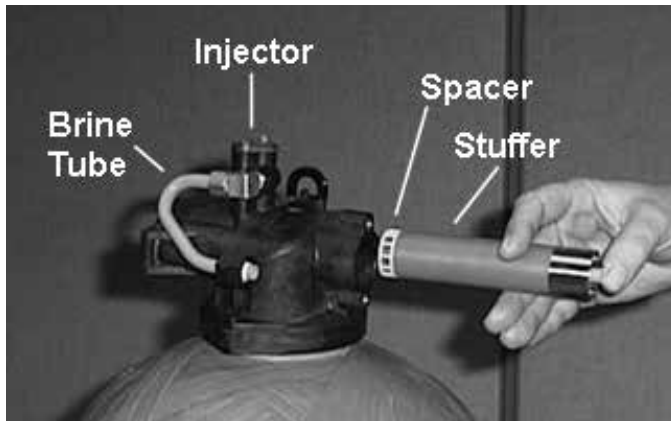


Figure 9

12. To restuff a valve body, first take the end ring (the plastic or brass ring without holes), then with your thumb press the button on the brass sleeve end. The large dia. inner portion is now exposed (see Figure 8). Place the end ring on this pilot with the lip on the end ring facing the tool. Push the tool into the valve body bore until it bottoms. While the tool is in the valve body, take a seal and press it into the inside diameter of the exposed brass female end.
13. Remove the tool, turn it end for end and insert it into the valve body bore. While holding the large dia. of the tool, slide it all the way into the valve body bore until it bottoms. Then push the center button to push the seal of the tool and leave it in place in the valve body.
14. Remove the tool from the valve body and push the center on the brass female end to expose the pilot on the opposite end. Place a spacer on this end and insert the spacer and tool into the valve.

## GENERAL SERVICE HINTS FOR METER CONTROL

---

**Problem: Softener delivers hard water**

**Reason:** Reserve capacity has been exceeded.

**Correction:** Check salt dosage requirements and reset program wheel to provide additional reserve.

**Reason:** Program wheel is not rotating with meter output.

**Correction:** Pull cable out of meter cover and rotate manually. Program wheel must move without binding and clutch must give positive clicks when program wheel strikes regeneration stop. If it does not, replace timer.

**Reason:** Meter is not measuring flow.

**Correction:** Check meter with meter checker.

## TROUBLESHOOTING

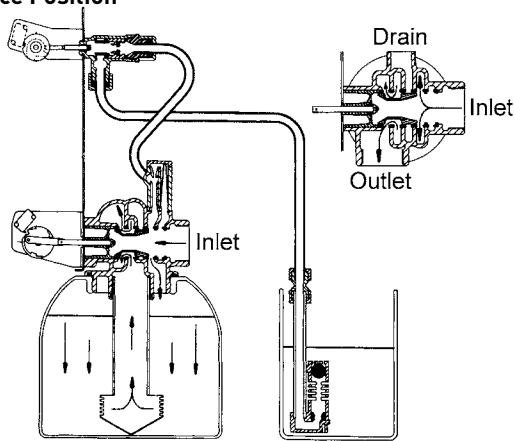
Problem	Cause	Correction
Water conditioner fails to regenerate.	Electrical service to unit has been interrupted	Assure permanent electrical service (check fuse, plug, pull chain, or switch)
	Timer is defective.	Replace timer.
	Power failure.	Reset time of day.
Hard water.	By-pass valve is open.	Close by-pass valve.
	No salt is in brine tank.	Add salt to brine tank and maintain salt level above water level.
	Injector screen plugged.	Clean injector screen.
	Insufficient water flowing into brine tank.	Check brine tank fill time and clean brine line flow control if plugged.
	Hot water tank hardness.	Repeated flushings of the hot water tank is required.
	Leak at distributor tube.	Make sure distributor tube is not cracked. Check o-ring and tube pilot.
	Internal valve leak.	Replace seals and spacers and/or piston.
Unit used too much salt.	Improper salt setting.	Check salt usage and salt setting.
	Excessive water in brine tank.	See "Excessive water in brine tank".
Loss of water pressure.	Iron buildup in line to water conditioner.	Clean line to water conditioner.
	Iron buildup in water conditioner.	Clean control and add mineral cleaner to mineral bed. Increase frequency of regeneration.
	Inlet of control plugged due to foreign material broken loose from pipes by recent work done on plumbing system.	Remove piston and clean control.
Loss of mineral through drain line.	Air in water system.	Assure that well system has proper air eliminator control. Check for dry well condition.
	Improperly sized drain line flow control.	Check for proper drain rate.
Iron in conditioned water.	Fouled mineral bed.	Check backwash, brine draw, and brine tank fill. Increase frequency of regeneration. Increase backwash time.
Excessive water in brine tank.	Plugged drain line flow control.	Clean flow control.
	Plugged injector system.	Clean injector and screen.
	Timer not cycling.	Replace timer.
	Foreign material in brine valve.	Replace brine valve seat and clean valve.
	Foreign material in brine line flow control.	Clean brine line flow control.
Softener fails to draw brine.	Drain line flow control is plugged.	Clean drain line flow control.
	Injector is plugged.	Clean injector
	Injector screen plugged.	Clean screen.
	Line pressure is too low.	Increase line pressure to 20 psi
	Internal control leak	Change seals, spacers, and piston assembly.
	Service adapter did not cycle.	Check drive motor and switches.
Control cycles continuously.	Misadjusted, broken, or shorted switch.	Determine if switch or timer is faulty and replace it, or replace complete power head.
Drain flows continuously.	Valve is not programming correctly.	Check timer program and positioning of control. Replace power head assembly if not positioning properly.
	Foreign material in control.	Remove power head assembly and inspect bore. Remove foreign material and check control in various regeneration positions.
	Internal control leak.	Replace seals and piston assembly.



[ THIS PAGE LEFT INTENTIONALLY BLANK ]

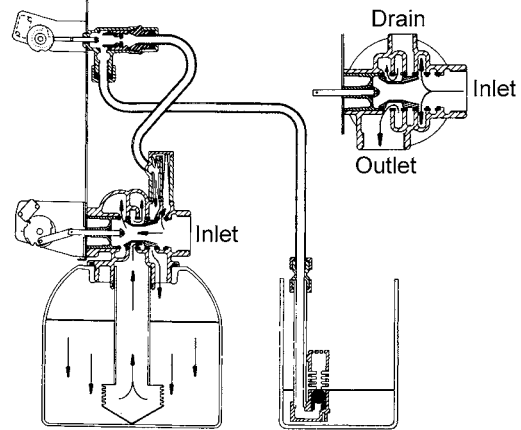
# WATER CONDITIONER FLOW DIAGRAMS

## 1 Service Position



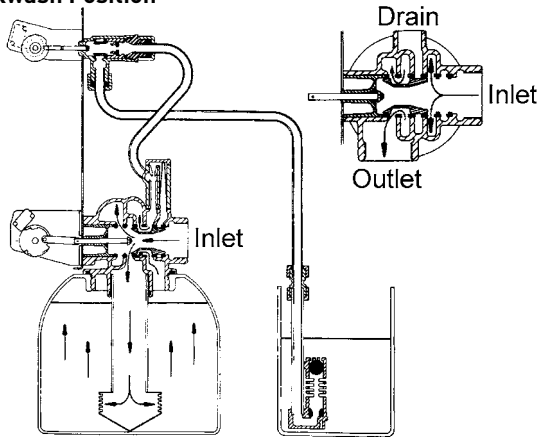
Hard water enters unit at valve inlet and flows down through the mineral in the mineral tank. Conditioned water enters center tube through the bottom distributor, then flows up through the center tube, around the piston, and out the outlet of the valve.

## 4 Slow Rinse Position



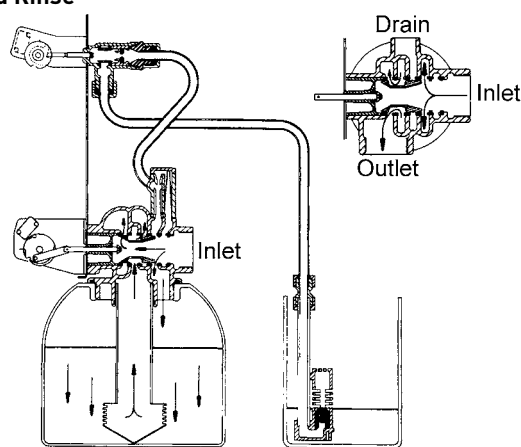
Hard water enters unit at valve inlet, flows up into injector housing and down through nozzle and throat, around the piston, down through mineral, enters center tube through bottom distributor, flows up through center tube, around piston and out through drain line.

## 2 Backwash Position



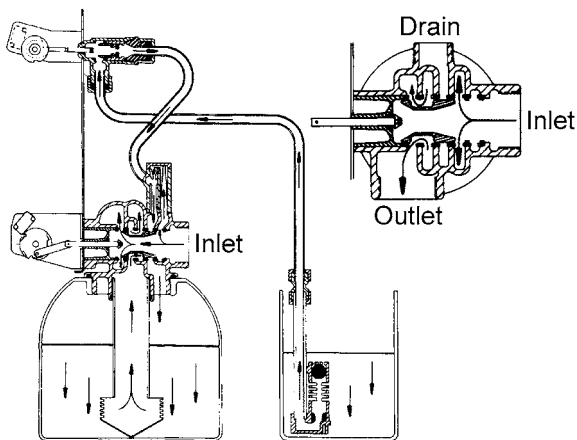
Hard water enters unit at valve inlet, flows through piston, down center tube, through bottom distributor, and up through the mineral, around the piston and out the drain line.

## 5 Rapid Rinse



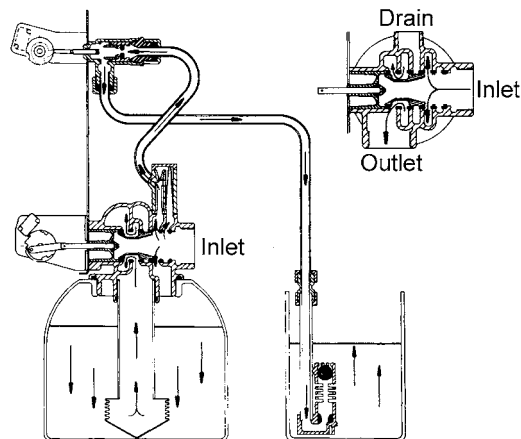
Hard water enters unit at valve inlet, flows directly from inlet down through mineral into center tube bottom distributor and up through center tube, around piston and out through the drain line.

## 3 Brine Position



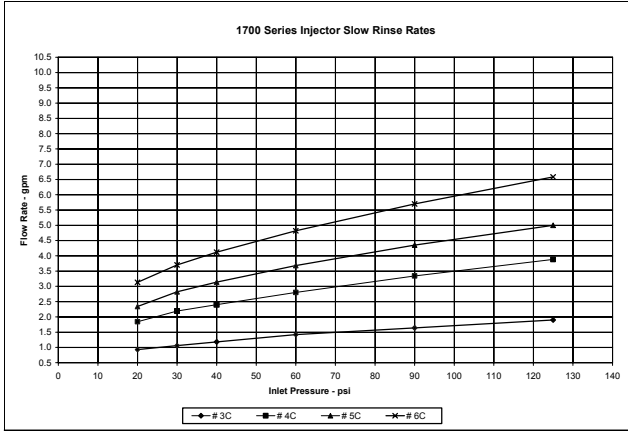
Hard water enters unit at valve inlet, flows up into injector housing and down through nozzle and throat to draw brine from the brine tank, brine flows down through mineral and enters the center tube through bottom distributor and out through the drain line.

## 6 Brine Tank Refill Position



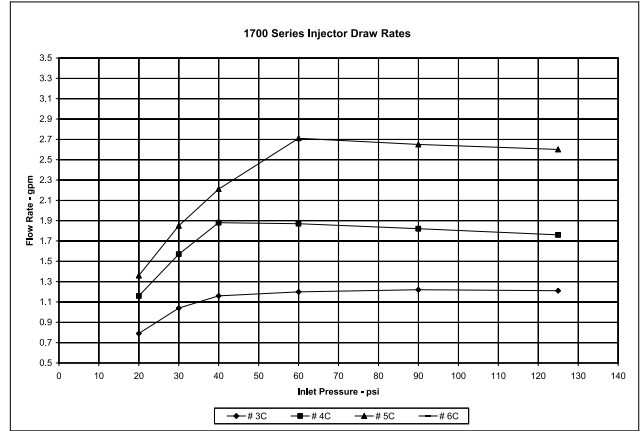
Hard water enters unit at valve inlet, flows up through the injector housing, through the brine valve to refill the brine tank.

# FLOW DATA & INJECTOR DRAW RATES - DOWNFLOW



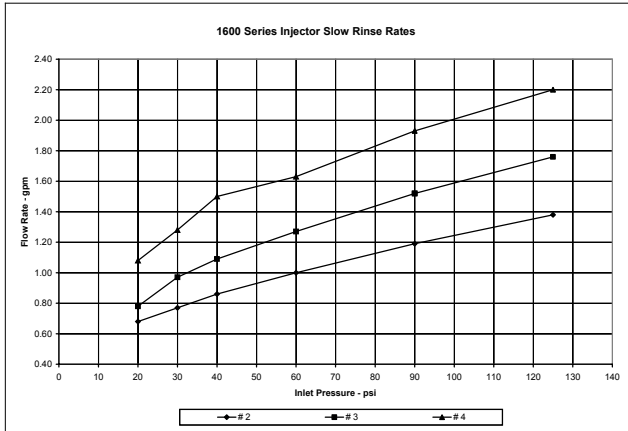
1700 series injectors	Slow Rinse - gpm			
pressure	#3C	#4C	#5C	#6C
20	0.93	1.84	2.34	3.13
30	1.06	2.19	2.82	3.70
40	1.18	2.40	3.14	4.12
60	1.42	2.80	3.68	4.82
90	1.64	3.34	4.35	5.70
125	1.90	3.88	5.00	6.58

# 3C - steel cap, no o-ring, air disperser  
 # 4C & 5C - steel cap, o-ring, air disperser  
 # 6C & 7C - brass cap, o-ring, no air disperser



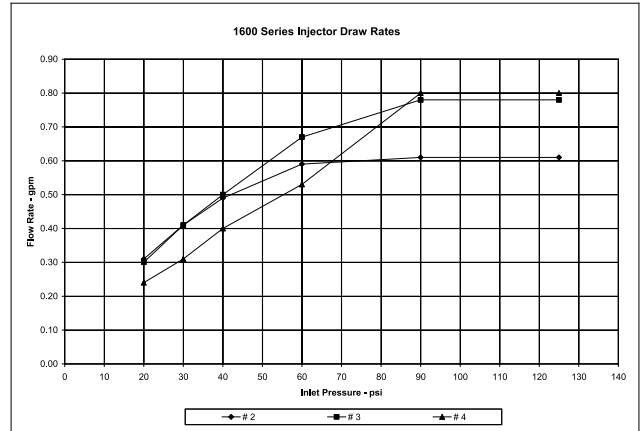
1700 series injectors	Draw Rate - gpm			
pressure	#3C	#4C	#5C	#6C
20	0.79	1.16	1.36	1.80
30	1.04	1.57	1.85	2.36
40	1.16	1.88	2.21	2.82
60	1.20	1.87	2.71	3.14
90	1.22	1.82	2.65	3.12
125	1.21	1.76	2.60	3.10

# 3C - steel cap, no o-ring, air disperser  
 # 4C & 5C - steel cap, o-ring, air disperser  
 # 6C & 7C - brass cap, o-ring, no air disperser



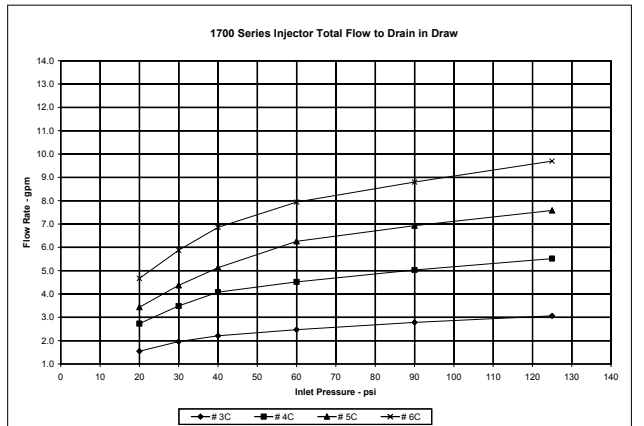
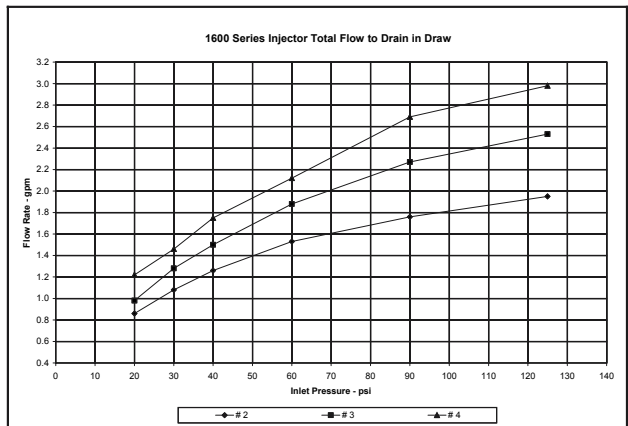
1600 series injectors	Slow Rinse Rates - gpm		
pressure	#2	#3	#4
20	0.68	0.78	1.08
30	0.77	0.97	1.28
40	0.86	1.09	1.50
60	1.00	1.27	1.63
90	1.19	1.52	1.93
125	1.38	1.76	2.20

all injectors used the steel cap and an air disperser

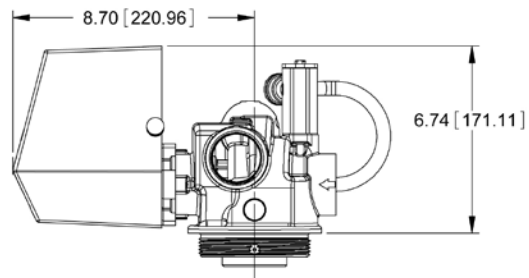
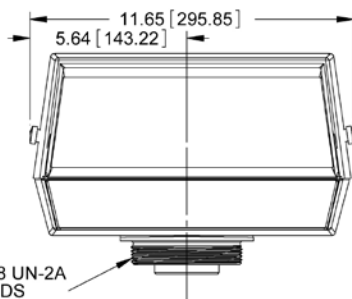
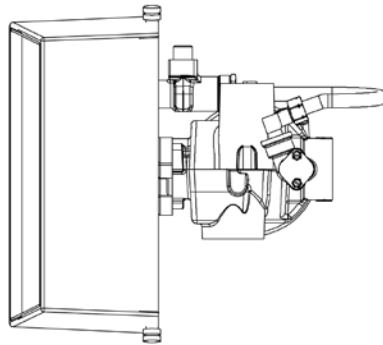
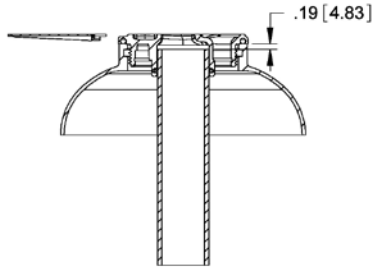
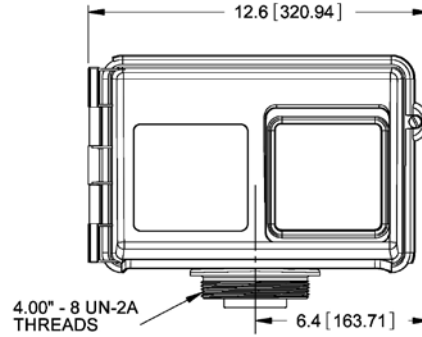
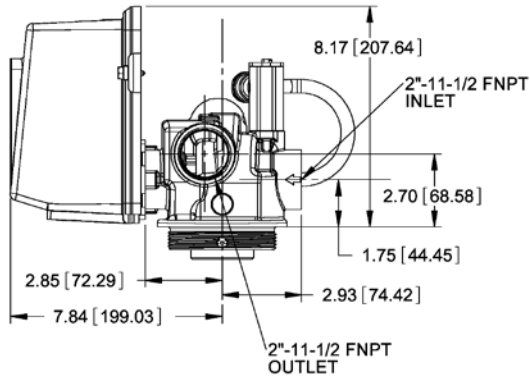
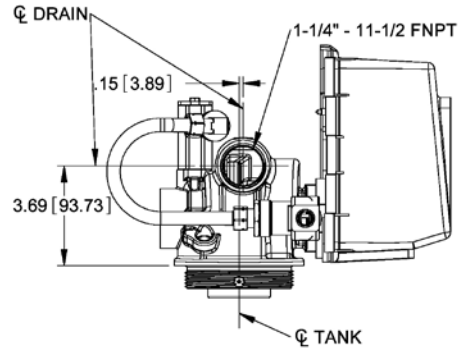
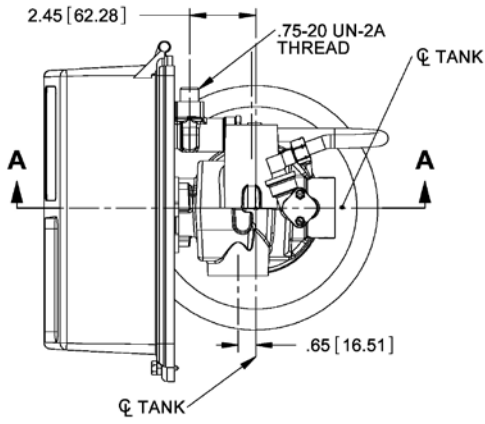


1600 series injectors	Draw Rate - gpm		
pressure	#2	#3	#4
20	0.31	0.30	0.24
30	0.41	0.41	0.31
40	0.49	0.50	0.40
60	0.59	0.67	0.53
90	0.61	0.78	0.80
125	0.61	0.78	0.80

all injectors used the steel cap and an air disperser

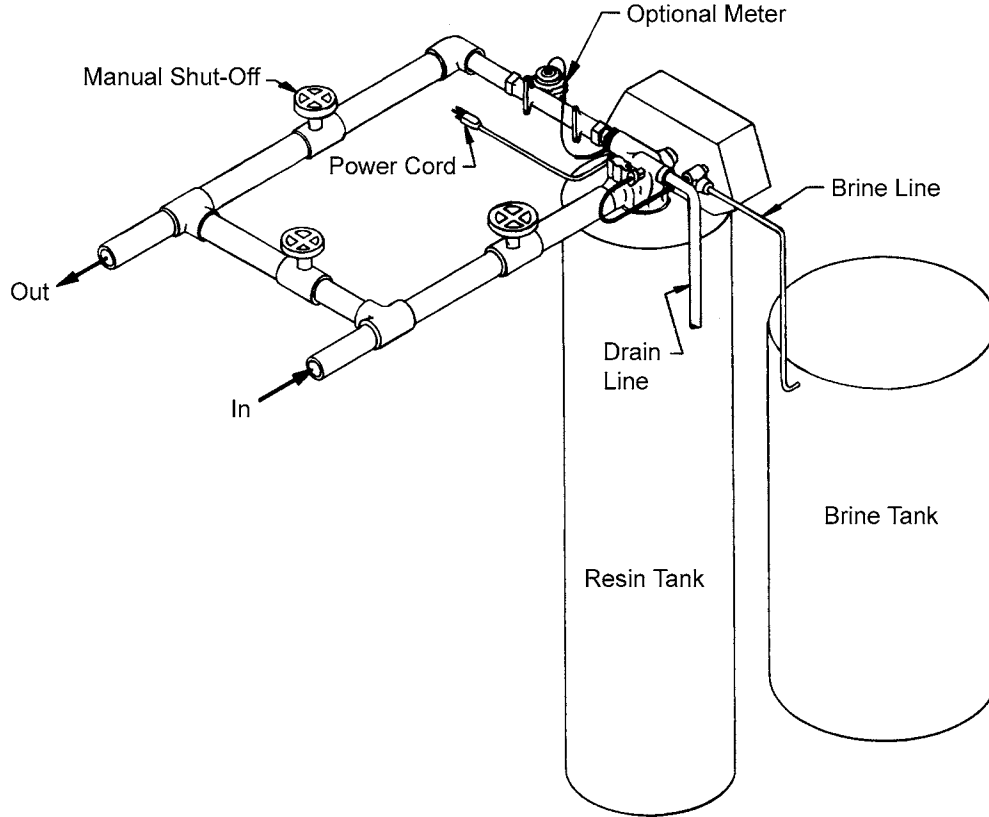


# DIMENSIONAL DRAWING



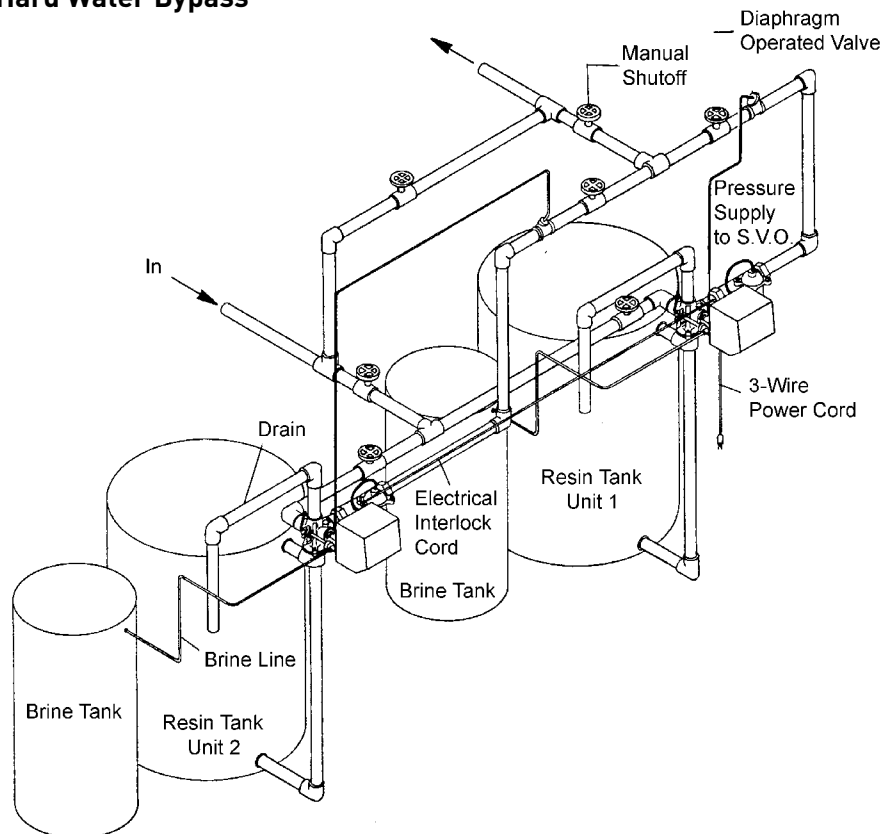
## SYSTEM #4

### Typical Single Tank Installation with Optional Meter



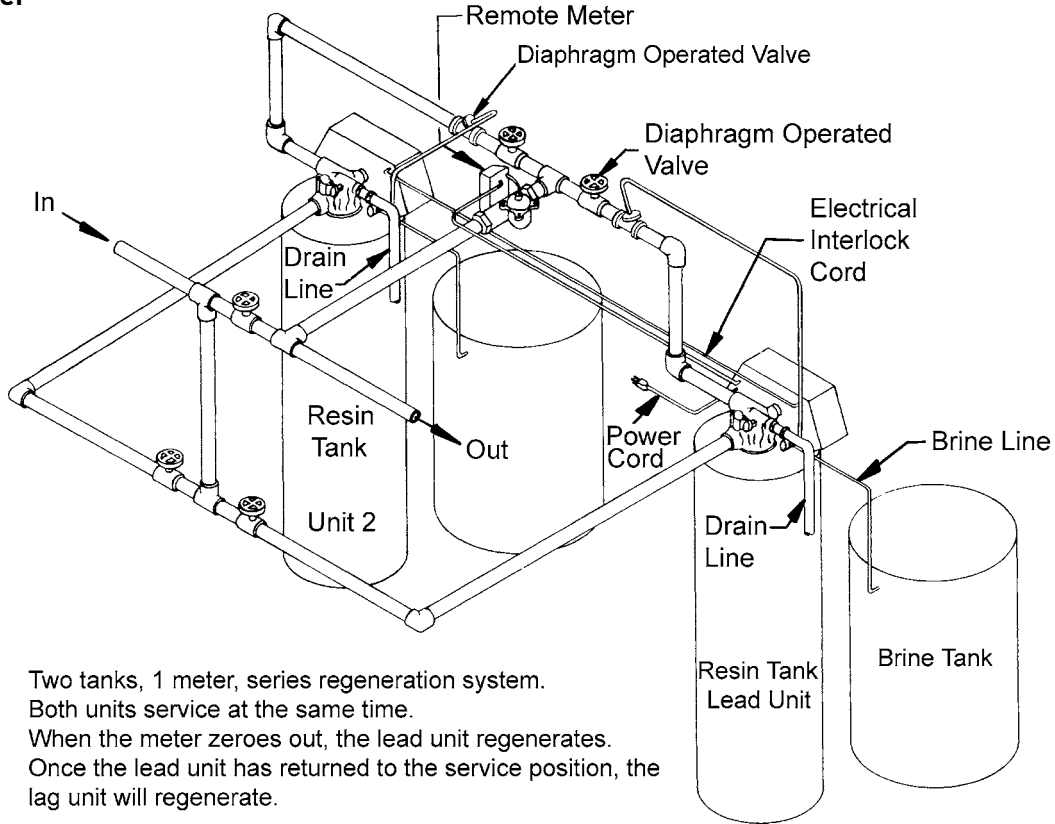
## SYSTEM #5 INTERLOCK

### Typical Twin Tank Installation with Optional Meter Interlock and No Hard Water Bypass



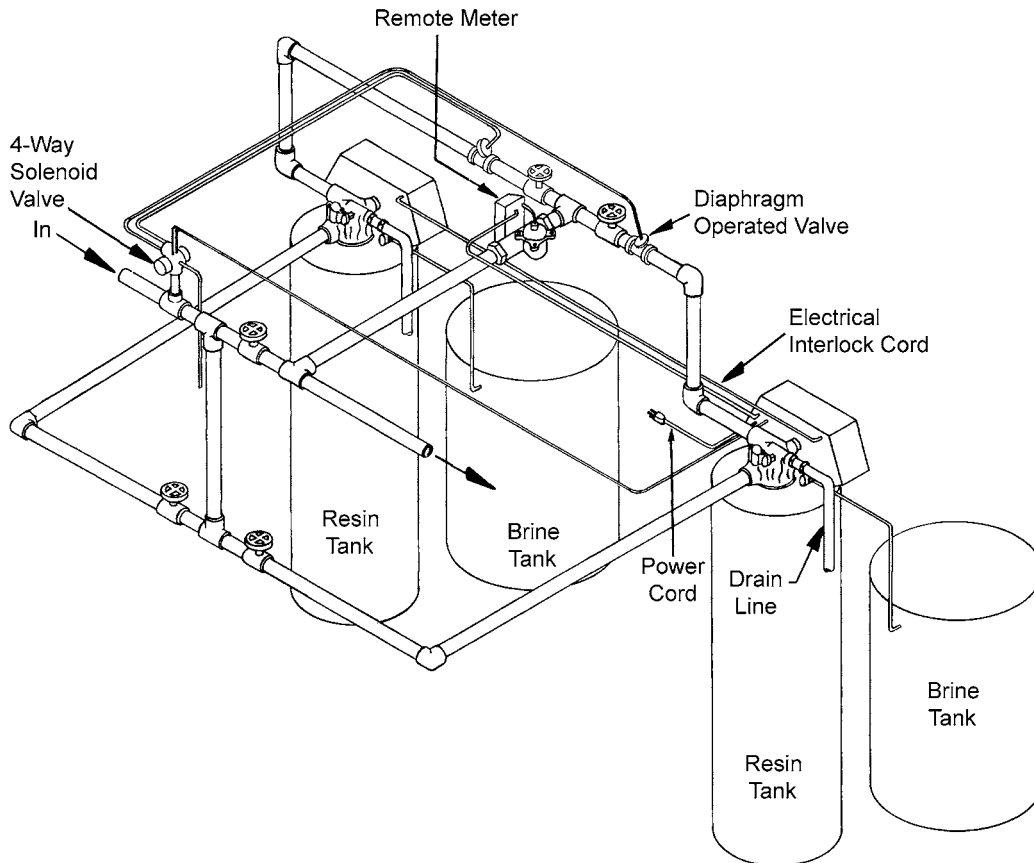
## SYSTEM #6

### Twin Series Regeneration Installation with a Remote Meter



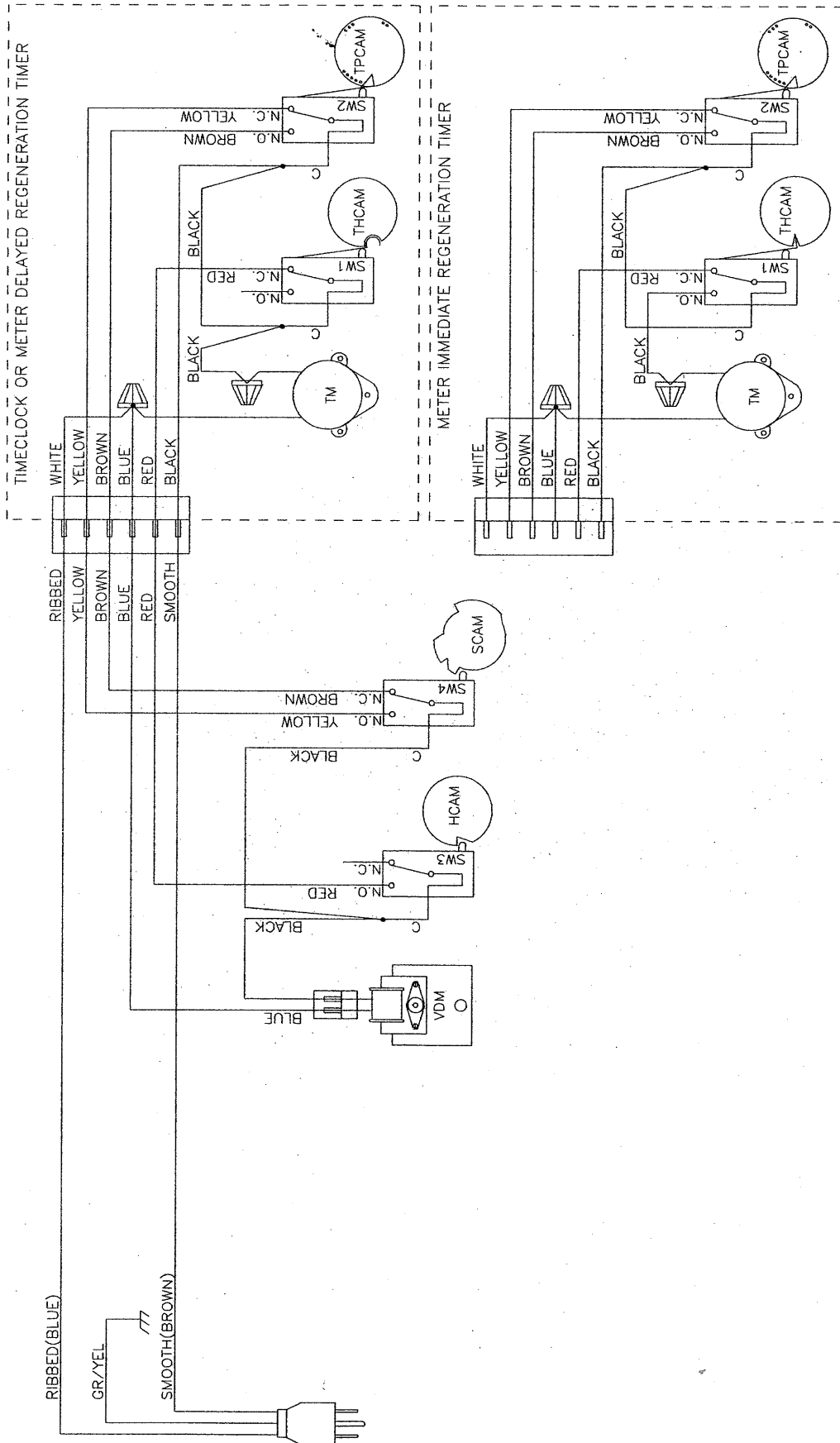
## SYSTEM #7

### Twin Alternator Installation with a Remote Meter



# SYSTEM #4 WIRING

## Single Valve Regeneration Immediate and Delayed Valve Wiring

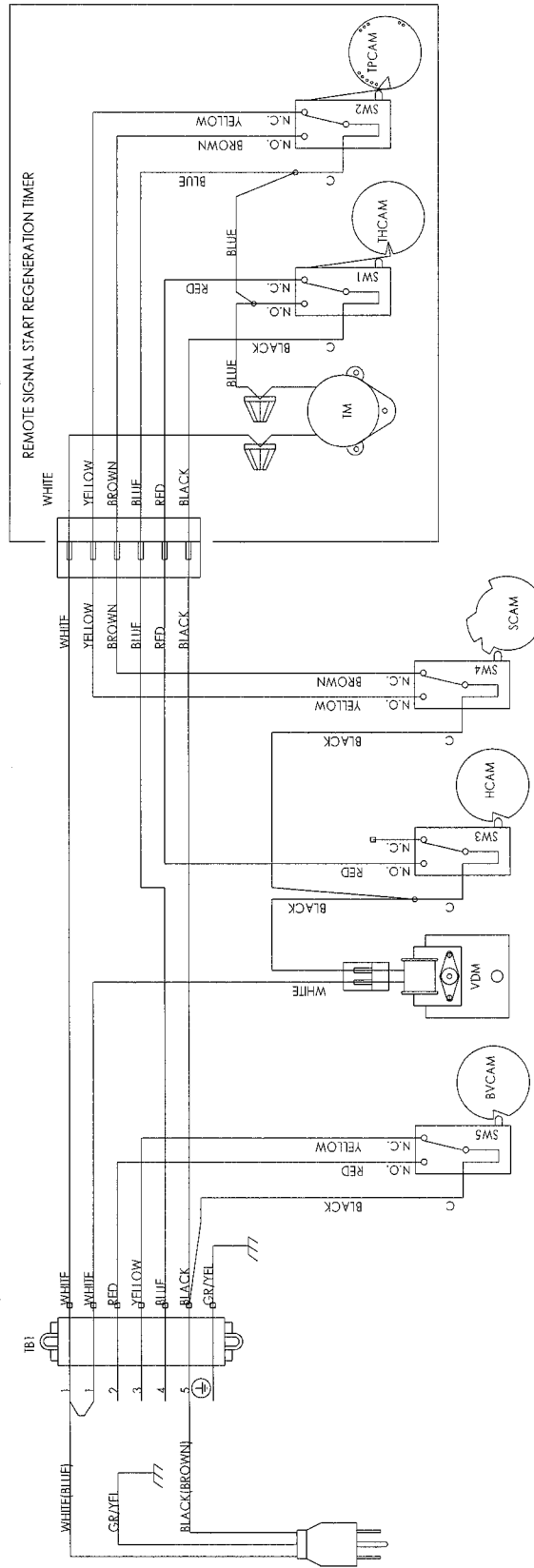
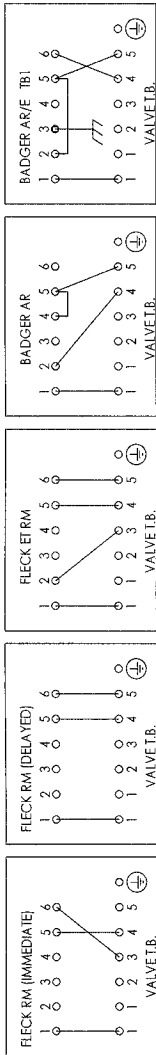


19201 Rev C

# SYSTEM #4 WIRING *CONTINUED*

## With Remote Starter Valve Wiring

### REMOTE METER WIRING



- TB1 - 7 POSITION TERMINAL BLOCK
- TM - TIMER MOTOR
- VDM - VALVE DRIVE MOTOR
- SW1 - TIMER HOMING SWITCH
- SW2 - TIMER PROGRAM SWITCH
- SW3 - VALVE HOMING SWITCH
- SW4 - VALVE STEP SWITCH
- SW5 - BRINE CAM SWITCH
- HCAM - TIMER HOMING CAM
- TPCAM - TIMER PROGRAM CAM
- HCAM - VALVE HOMING CAM
- SCAM - VALVE STEP CAM
- BVCAM - BRINE VALVE CAM

- NOTE:
1. SINGLE TANK REMOTE METER INITIATED DELAYED, OR IMMEDIATE REGENERATION.
  2. WITH 24V VALVES THE POWER CORD IS REPLACED WITH BLUE AND WHITE WIRES (WIRE BLUE TO TB1 #5, WHITE TO TB1 #1).
  3. VALVE SHOWN IN SERVICE POSITION.

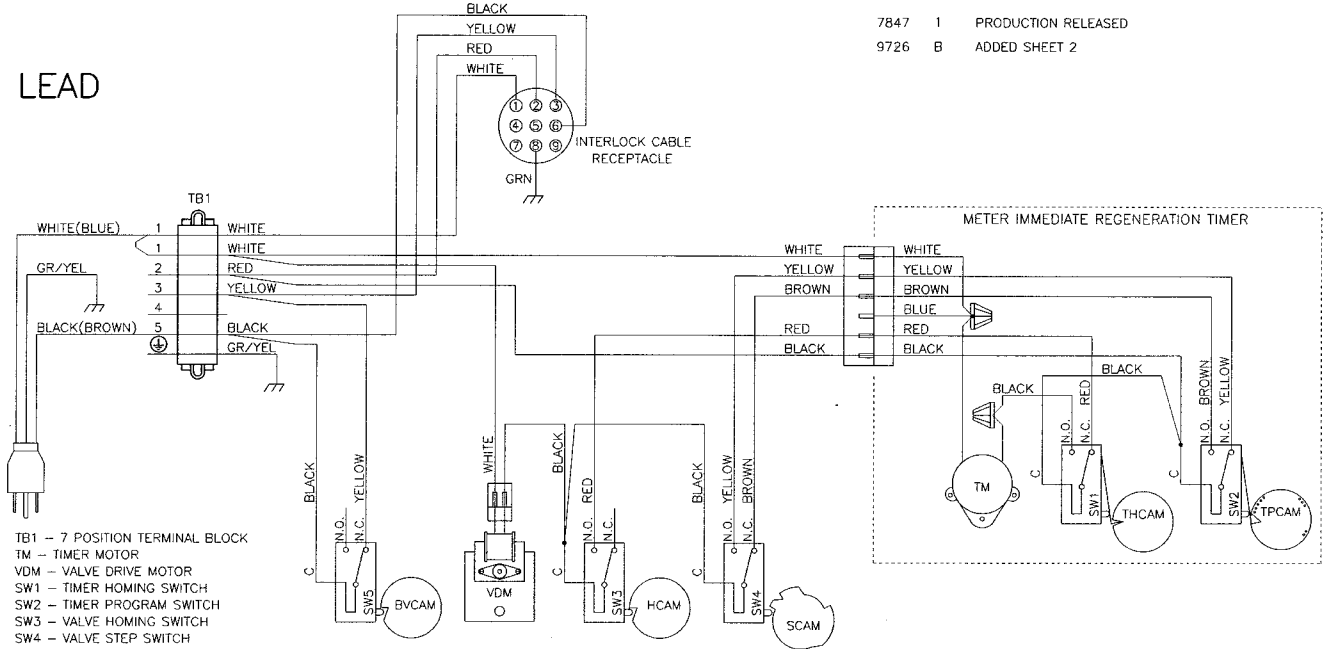


# SYSTEM #5 WIRING

## Interlocked Regeneration Valve Wiring

7847 1 PRODUCTION RELEASED  
9726 B ADDED SHEET 2

LEAD

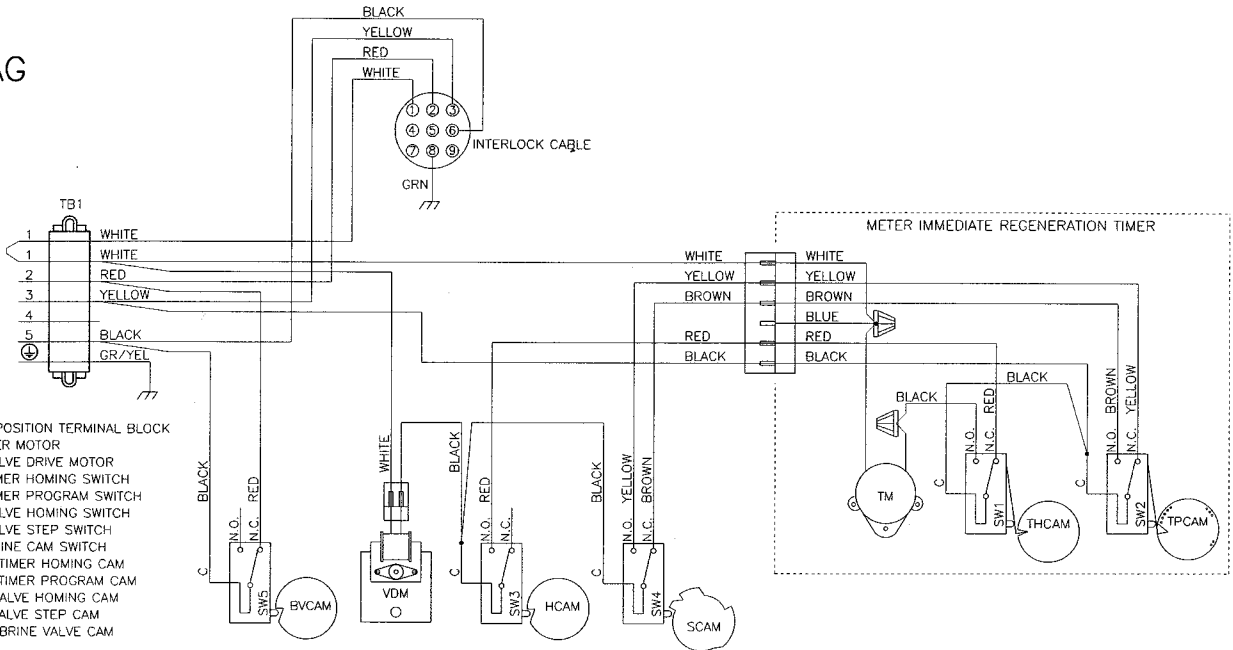


TB1 - 7 POSITION TERMINAL BLOCK  
TM - TIMER MOTOR  
VDM - VALVE DRIVE MOTOR  
SW1 - TIMER HOMING SWITCH  
SW2 - TIMER PROGRAM SWITCH  
SW3 - VALVE HOMING SWITCH  
SW4 - VALVE STEP SWITCH  
SW5 - BRINE CAM SWITCH  
THCAM - TIMER HOMING CAM  
TPCAM - TIMER PROGRAM CAM  
HCAM - VALVE HOMING CAM  
SCAM - VALVE STEP CAM  
BVCAM - BRINE VALVE CAM

NOTE:  
1. BOTH VALVES IN SERVICE, ONLY ONE VALVE IN REGENERATION AT A TIME.  
2. INDIVIDUAL LOCAL METER REGENERATION.  
3. VALVE SHOWN IN SERVICE.

40502-01 Rev C

LAG



TB1 - 7 POSITION TERMINAL BLOCK  
TM - TIMER MOTOR  
VDM - VALVE DRIVE MOTOR  
SW1 - TIMER HOMING SWITCH  
SW2 - TIMER PROGRAM SWITCH  
SW3 - VALVE HOMING SWITCH  
SW4 - VALVE STEP SWITCH  
SW5 - BRINE CAM SWITCH  
THCAM - TIMER HOMING CAM  
TPCAM - TIMER PROGRAM CAM  
HCAM - VALVE HOMING CAM  
SCAM - VALVE STEP CAM  
BVCAM - BRINE VALVE CAM

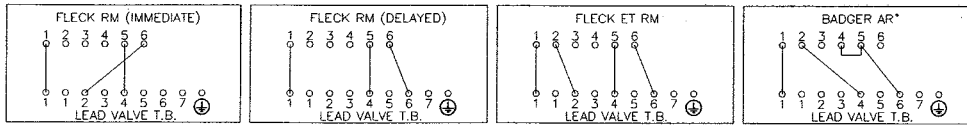
NOTE:  
1. BOTH VALVES IN SERVICE, ONLY ONE VALVE IN REGENERATION AT A TIME.  
2. INDIVIDUAL LOCAL METER REGENERATION.  
3. VALVE SHOWN IN SERVICE.

40502-02 Rev C

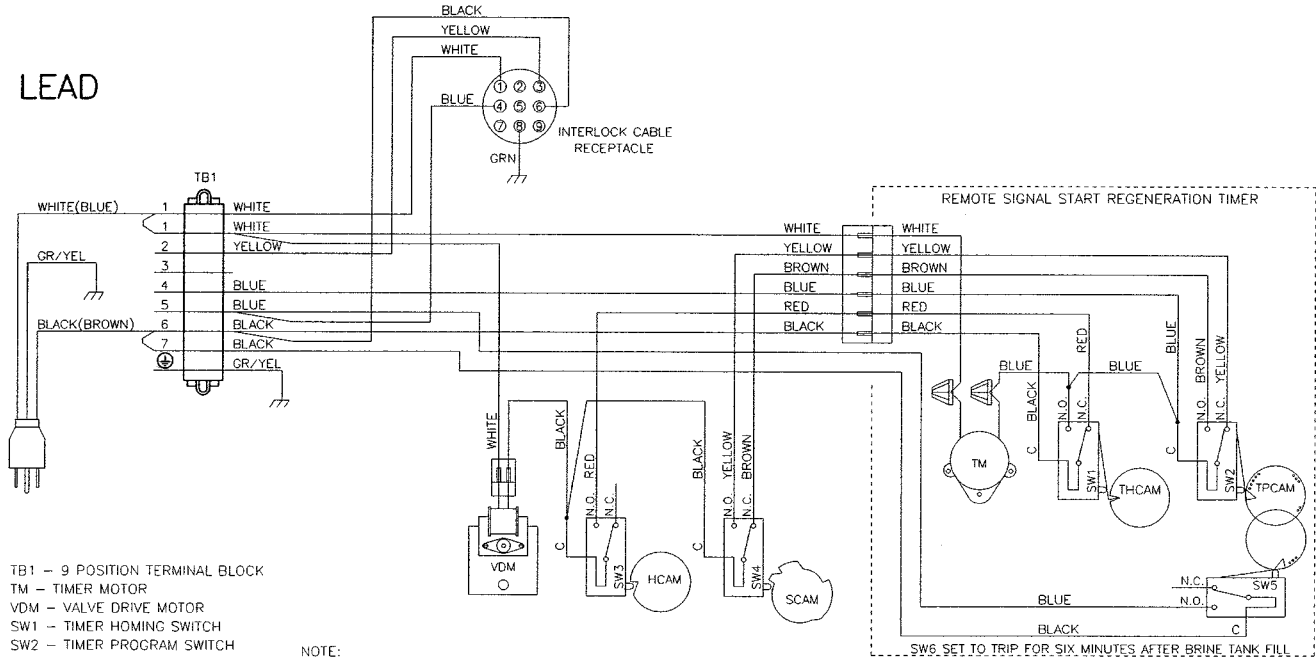
# SYSTEM #6 WIRING

## Series Regeneration Valve Wiring

### REMOTE METER WIRING



### LEAD



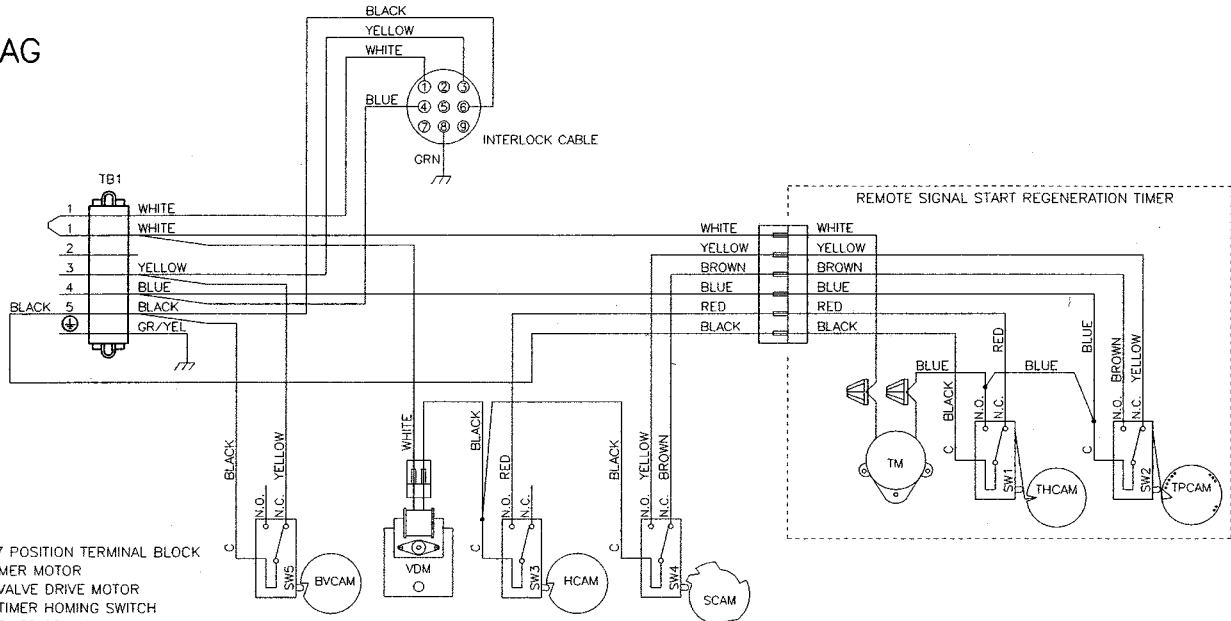
- TB1 - 9 POSITION TERMINAL BLOCK
- TM - TIMER MOTOR
- VDM - VALVE DRIVE MOTOR
- SW1 - TIMER HOMING SWITCH
- SW2 - TIMER PROGRAM SWITCH
- SW3 - VALVE HOMING SWITCH
- SW4 - VALVE STEP SWITCH
- SW5 - AUXILIARY TIMER SWITCH
- THCAM - TIMER HOMING CAM
- TPCAM - TIMER PROGRAM CAM
- HCAM - VALVE HOMING CAM
- SCAM - VALVE STEP CAM

**NOTE:**

1. TWO TANK INTERLOCKED, SINGLE REMOTE METER, SERIES REGENERATION.
2. BOTH TANKS NORMALLY IN SERVICE.
3. ONLY ONE TANK IN REGENERATION, THE OTHER REMAINS IN SERVICE.
4. LEAD VALVE REGENERATES FIRST, FOLLOWED IMMEDIATELY BY LAG VALVE.
5. WITH 24V VALVES THE POWER CORD IS REPLACED WITH BLUE AND WHITE WIRES (WIRE BLUE TO TB1 #6, WHITE TO TB1 #1).
6. VALVE SHOWN IN SERVICE POSITION.

13632-01 Rev L

### LAG



- TB1 - 7 POSITION TERMINAL BLOCK
- TM - TIMER MOTOR
- VDM - VALVE DRIVE MOTOR
- SW1 - TIMER HOMING SWITCH
- SW2 - TIMER PROGRAM SWITCH
- SW3 - VALVE HOMING SWITCH
- SW4 - VALVE STEP SWITCH
- SW5 - BRINE CAM SWITCH
- THCAM - TIMER HOMING CAM
- TPCAM - TIMER PROGRAM CAM
- HCAM - VALVE HOMING CAM
- SCAM - VALVE STEP CAM
- BVCAM - BRINE VALVE CAM

**NOTE:**

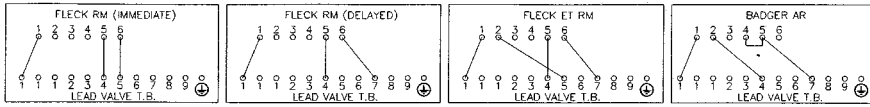
1. TWO TANK INTERLOCKED, SINGLE REMOTE METER, SERIES REGENERATION.
2. BOTH TANKS NORMALLY IN SERVICE.
3. ONLY ONE TANK IN REGENERATION, THE OTHER REMAINS IN SERVICE.
4. LEAD VALVE REGENERATES FIRST, FOLLOWED IMMEDIATELY BY LAG VALVE.
5. WITH 24V VALVES, THE POWER CORD IS REPLACED WITH BLUE AND WHITE WIRES (WIRE BLUE TO TB1 #6, WHITE TO TB1 #1).
6. VALVE SHOWN IN SERVICE POSITION.

13632-02 Rev L

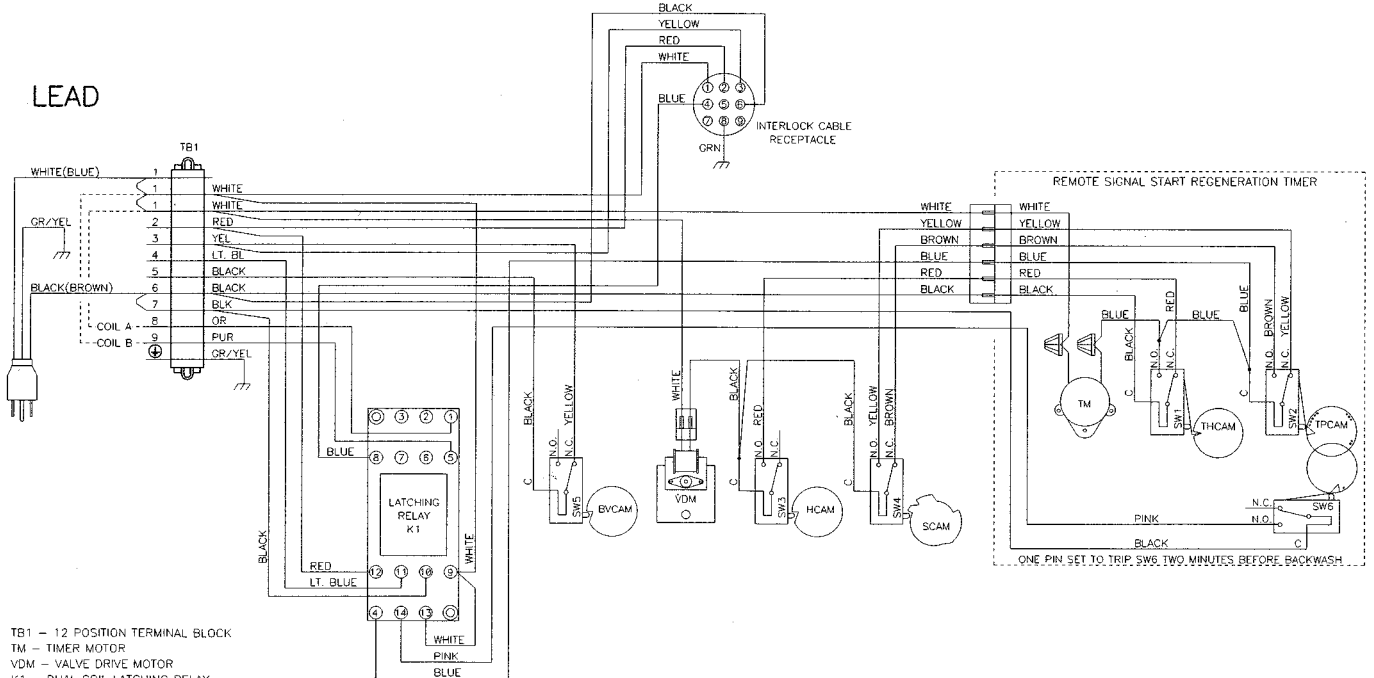
# SYSTEM #7 WIRING

## Alternating Regeneration 230V / 3-Way Solenoid Output Valve Wiring

REMOTE METER WIRING

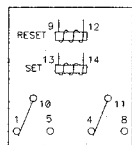


### LEAD



- TB1 - 12 POSITION TERMINAL BLOCK
- TM - TIMER MOTOR
- VDM - VALVE DRIVE MOTOR
- K1 - DUAL COIL LATCHING RELAY
  - 24V P/N 1701B
  - 120V P/N 16807
- SW1 - TIMER HOMING SWITCH
- SW2 - TIMER PROGRAM SWITCH
- SW3 - VALVE HOMING SWITCH
- SW4 - VALVE STEP SWITCH
- SW5 - BRINE CAM SWITCH
- SW6 - TIMER AUXILIARY SWITCH
- THCAM - TIMER HOMING CAM
- TPCAM - TIMER PROGRAM CAM
- HCAM - VALVE HOMING CAM
- SCAM - VALVE STEP CAM
- BVCAM - BRINE VALVE CAM

RELAY TERMINAL BLOCK PINOUT (SHOWN IN RESET POSITION)

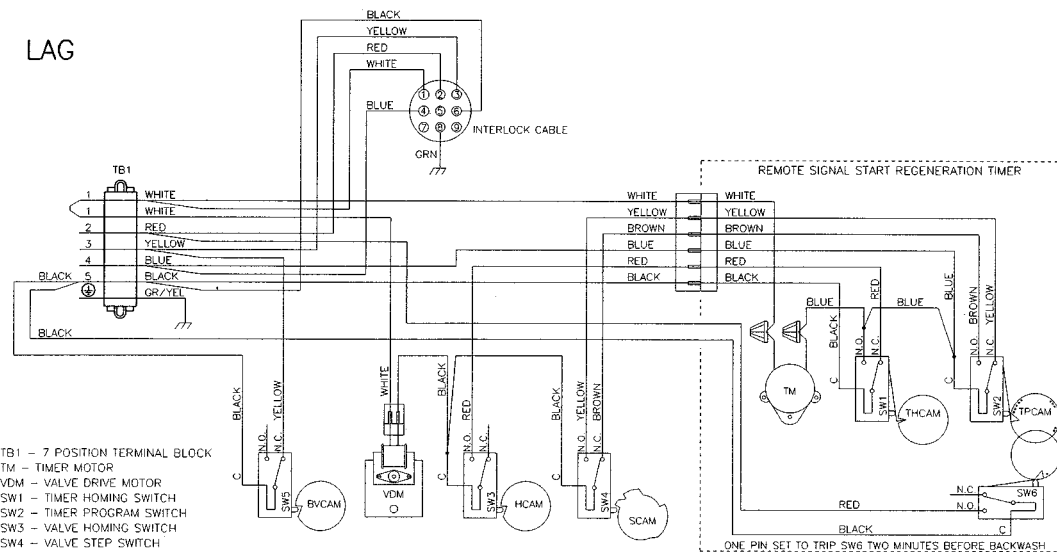


NOTE:

1. TWO TANK SINGLE REMOTE METER ALTERNATING REGENERATION. ONLY ONE TANK IN SERVICE THE OTHER IN REGENERATION OR STANDBY.
2. SYSTEM WIRED FOR 3-WAY SOLENOID OUTPUT. COIL A CLOSSES THE DIAPHRAGM VALVES OF LAG UNIT. COIL B CLOSSES THE DIAPHRAGM VALVES OF LEAD UNIT.
3. VALVE SHOWN IN SERVICE POSITION.

19138-01 Rev E

### LAG



- TB1 - 7 POSITION TERMINAL BLOCK
- TM - TIMER MOTOR
- VDM - VALVE DRIVE MOTOR
- SW1 - TIMER HOMING SWITCH
- SW2 - TIMER PROGRAM SWITCH
- SW3 - VALVE HOMING SWITCH
- SW4 - VALVE STEP SWITCH
- SW5 - BRINE CAM SWITCH
- SW6 - TIMER AUXILIARY SWITCH
- THCAM - TIMER HOMING CAM
- TPCAM - TIMER PROGRAM CAM
- HCAM - VALVE HOMING CAM
- SCAM - VALVE STEP CAM
- BVCAM - BRINE VALVE CAM

NOTE:

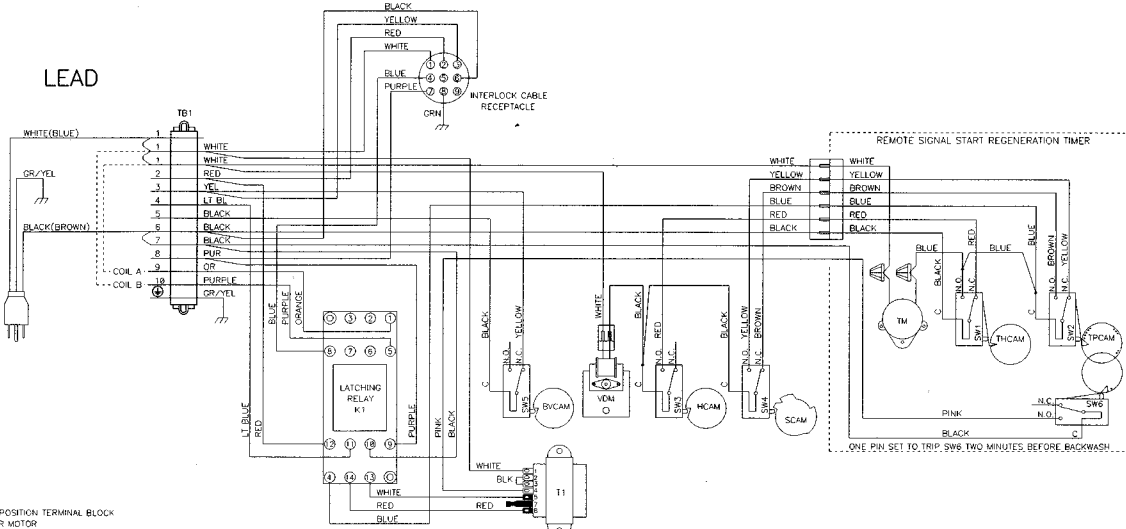
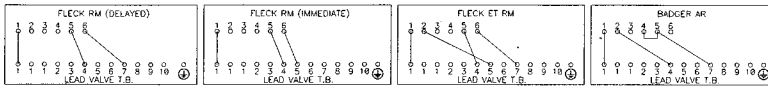
1. TWO TANK SINGLE REMOTE METER ALTERNATING REGENERATION. ONLY ONE TANK IN SERVICE THE OTHER IN REGENERATION OR STANDBY.
2. SYSTEM WIRED FOR 3-WAY SOLENOID OUTPUT. COIL A CLOSSES THE DIAPHRAGM VALVES OF LAG UNIT. COIL B CLOSSES THE DIAPHRAGM VALVES OF LEAD UNIT.
3. VALVE SHOWN IN SERVICE POSITION.

19138-02 Rev E

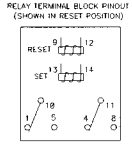
# SYSTEM #7 WIRING *CONTINUED*

## Alternating Regeneration 24V / 120V / 3-Way Solenoid Output Valve Wiring

REMOTE METER WIRING

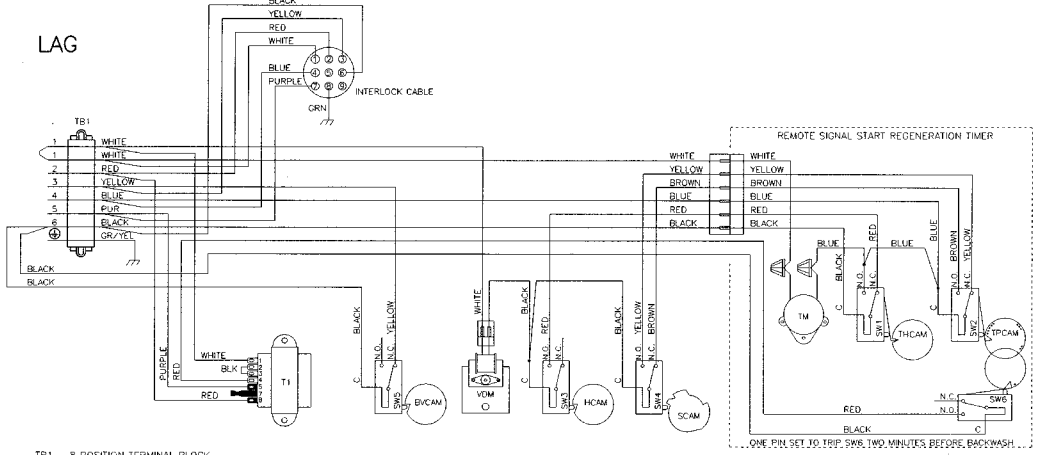


- TB1 - 13 POSITION TERMINAL BLOCK
- TM - TIMER MOTOR
- VDM - VALVE DRIVE MOTOR
- X1 - 120V DUAL COIL LATCHING RELAY P/N 16987
- T1 - 230V/120V TRANSFORMER P/N 40112
- SW1 - TIMER HOMING SWITCH
- SW2 - TIMER PROGRAM SWITCH
- SW3 - VALVE HOMING SWITCH
- SW4 - VALVE STEP SWITCH
- SW5 - BRINE CAM SWITCH
- SW6 - TIMER AUXILIARY SWITCH
- THCAM - TIMER HOMING CAM
- TPCAM - TIMER PROGRAM CAM
- HCAM - VALVE HOMING CAM
- SCAM - VALVE STEP CAM
- EVCAM - BRINE VALVE CAM



- NOTE:
1. TWO TANK SINGLE REMOTE METER ALTERNATING REGENERATION. ONLY ONE TANK IN SERVICE THE OTHER IN REGENERATION OR STANDBY.
  2. SYSTEM WIRED FOR 3-WAY SOLENOID OUTPUT.
  - COIL A CLOSES THE DIAPHRAGM VALVES OF LAG UNIT.
  - COIL B CLOSES THE DIAPHRAGM VALVES OF LEAD UNIT.
  3. VALVE SHOWN IN SERVICE POSITION.

17727-01 Rev E



- TB1 - 8 POSITION TERMINAL BLOCK
- TM - TIMER MOTOR
- T1 - 230V TO 120V TRANSFORMER P/N 40112
- VDM - VALVE DRIVE MOTOR
- SW1 - TIMER HOMING SWITCH
- SW2 - TIMER PROGRAM SWITCH
- SW3 - VALVE HOMING SWITCH
- SW4 - VALVE STEP SWITCH
- SW5 - BRINE CAM SWITCH
- SW6 - TIMER AUXILIARY SWITCH
- THCAM - TIMER HOMING CAM
- TPCAM - TIMER PROGRAM CAM
- HCAM - VALVE HOMING CAM
- SCAM - VALVE STEP CAM
- EVCAM - BRINE VALVE CAM

- NOTE:
1. TWO TANK SINGLE REMOTE METER ALTERNATING REGENERATION. ONLY ONE TANK IN SERVICE THE OTHER IN REGENERATION OR STANDBY.
  2. SYSTEM WIRED FOR 3-WAY SOLENOID OUTPUT.
  - COIL A CLOSES THE DIAPHRAGM VALVES OF LAG UNIT.
  - COIL B CLOSES THE DIAPHRAGM VALVES OF LEAD UNIT.
  3. VALVE SHOWN IN SERVICE POSITION.

17727-02 Rev E

## SERVICE ASSEMBLIES

### 24 Hour Gear Assemblies

19205.....	Gear Assy, 24 Hour, Silver, 5600, 12 A.M.
60519-02 .....	Gear Assy, 3200 24 Hour 2 Times/Day, w/Silver Label
60519-03 .....	Gear Assy, 3200, 24 Hour 3 Times/Day, w/Silver Label
60519-04 .....	Gear Assy, 3200, 24 Hour 4 Times/Day, w/Silver Label
60519-06 .....	Gear Assy, 3200, 24 Hour (12:00) 6 Times/Day, w/Silver Label

### Adapters

61415.....	Adapter Assy, Sidemount 2850/2900/2930
61415NP.....	Adapter Assy, Sidemount, NP 2850/2900/2930
61415-20 .....	Adapter Assy, Sidemount, BSP/MTC 2850/2900/2930
61415-20NP .....	Adapter Assy, Sidemount, BSP/NP 2850/2900/2930

### Air Checks

60002-34 .....	Air Check, #500, 34-inch Long
60003-34 .....	Air Check, #500, HW, 34-inch Tube
60009-00 .....	Air Check, #900, Commercial, Less Fittings
60009-01 .....	Air Check, #900, Commercial, HW Less Fittings

### Auxiliary Micro Switch

60320-02 .....	Switch Kit, 3200/9000 Timer Auxiliary
60320-07 .....	Switch Assy, 2850, Aux w/Self Tapping Screws
60320-12 .....	Switch Assy, 1500 through 2850

### Brine Line Flow Control (BLFC)

60020-25 .....	BLFC, .25 GPM, 1600
60020-50 .....	BLFC, .50 GPM, 1600
60020-100 .....	BLFC, 1.0 GPM, 1600
60011-090 .....	Brine Valve, 1650, Short Stem
60010-25 .....	BLFC, 1650, .25 GPM, Plastic
60010-50 .....	BLFC, 1650, .50 GPM, Plastic
60010-100 .....	BLFC, 1650, 1.0 GPM, Plastic

### Brine Valves

60011 .....	Brine Valve, 1650, Less BLFC
60029.....	Brine Valve, 1600, Short Stem Brass, Std O-rings
60029-010 .....	Brine Valve, 1600, Short Stem .25 GPM
60029-020 .....	Brine Valve, 1600, Short Stem .50 GPM
60029-020 .....	Brine Valve, 1600, Short Stem 1.0 GPM
60029HW.....	Brine Valve, 1600, Short Stem Hot Water
60034-xx.....	1700 Brine Valve Assy (Specify flow control 1.0 - 5.0)
60604-xx.....	Model 1710 Brine Valve Assy (Specify flow control 1.0 - 5.0)

### Cam Assemblies

60160-40 .....	Drive Cam Assy, Std, 2850s
----------------	----------------------------

### Covers

60219-xx.....	Environmental
60232-xx.....	Designer 2 Piece
60232-110 .....	Cover, Designer, 1 Pc Black

### Drain Line Flow Controls

60366-xx.....	1-inch FNPT x 3/4-inch FNPT (Specify flow control .6 - 7.0)
60701-xx.....	1-inch FNPT x 1-inch FNPT (Specify flow control 8.0 - 25.0)
60702-xx.....	1-inch FNPT x 1-inch MNPT (Specify flow control 8.0 - 25.0)
60708-xx.....	1-inch FNPT x 3/4-inch FNPT (Specify flow control 8.0 - 25.0)
60721-xx.....	1-inch FNPT x 1-inch FNPT (Specify flow control .6 - 7.0)

### Drive Assemblies

60050-25 .....	Drive Assy, 2850s, STF, 120V Softener/Filter
----------------	--

### Injector Assemblies (Complete)

60080.....	1600 Injector Assembly
60381.....	1700 Injector Assembly
60480-xx.....	1600 - 3/8-inch Brine (Specify size of injector)
60481-xx.....	1600 Brass - 3/8-inch Brine (Specify size of injector)
60483-xx.....	1700 - 1/2-inch Brine (Specify size of injector)

### Meters

61933-10 .....	1-1/2" NPT Stainless Steel Meter Assembly, Standard Range
61933-11 .....	1-1/2" NPT Stainless Steel Meter Assembly, Extended Range
61933-20 .....	1-1/2" BSP Stainless Steel Meter Assembly, Standard Range
61933-21 .....	1-1/2" BSP Stainless Steel Meter Assembly, Extended Range
61560-01 .....	Meter Assy, In-Line, w/1-inch NPT Plstc Connector
61560-07 .....	Meter Assy, In-Line, w/1-inch NPT Brass Connector
61560-09 .....	Meter Assy, In-Line, w/ 1-1/2 inch NPT Brass Connector

### Piston Assemblies

61630-00 .....	Piston Assy., 2850s, HW BP
61630-01HW .....	Piston Assy., 2850s, HW BP, Hot Water
61630-02 .....	Piston Assy., 2850s, Manual
61631-00 .....	Piston Assy, Filter, 2850s Conversion, NHWBP
61631-00HW .....	Piston Assy, Filter, 2850s, Conversion, NHWBP, Hot Water

### Program Wheel Assemblies

60405-20 .....	Program Wheel, w/3/4-inch Ext Label 1-1/2 inch Std Set @ 100
60405-30 .....	Program Wheel, w/1-inch Std Label Set @ 50
60405-40 .....	Program Wheel, w/1-inch Ext Label
60405-70 .....	Program Wheel, w/1-inch Ext Label

## **SERVICE ASSEMBLIES** *CONTINUED*

---

### **Safety Brine Valves**

60014.....	Safety Brine Valve Assy, 2310
60038.....	Safety Brine Valve, 2350
60027-FFA.....	Safety Brine Valve Body, 2300 Fitting Facing Arm
60027-FFS.....	Safety Brine Valve Body Fitting Facing Stud
60026-30.....	Float Assy, 2350, 30-inch Red/Wht
60026-30SAN.....	60026-30SAN Float Assy, 2350, 30-inch HW
60028-30.....	Float Assy, 2300, 30-inch, Blue/White
60068-30.....	Float Assy, 2310, w/30-inch Rod

### **Sales and Service Aids**

42666.....	Literature, 2850s Spec Sheet
42319.....	Literature, 2850s S/Manual
40717.....	Literature, Catalog Assy, PWT Residential/Commercial

### **Seal & Spacer Kits**

61632.....	Seal & Spacer Kit, 2850s
61632-20.....	Seal & Spacer Kit, 2850s, Hot Water
61632-30.....	Seal & Spacer Kit, 2850s, 559 PE, Chemical Resistent Kit

### **Service Equipment**

16174.....	Silicone, 2 oz. Tube
16586-8.....	Silicone, Dow #7 8 Lb
42227.....	Stuffer Assy, 2850s
42228.....	Puller Tool Assy, 2850s
60460.....	Meter Checker Kit, Std
60461.....	Meter Checker Kit, Ext

### **Service Valve Operator Assemblies (SVO)**

60150.....	SVO Assy, 1600 O/S
------------	--------------------

### **Skipper Wheel Assemblies**

14860.....	Skipper Wheel Assy, 7 Day
14381.....	Skipper Wheel Assy, 12 Day



For Fleck Product Warranties visit:  
Fleck para las garantías de los productos visite: } [waterpurification.pentair.com](http://waterpurification.pentair.com)  
Pour Fleck garanties produit visitez le site :



**WATER QUALITY SYSTEMS**

5730 NORTH GLEN PARK ROAD, MILWAUKEE, WI 53209  
P: 262.238.4400 | WATERPURIFICATION.PENTAIR.COM | CUSTOMER CARE: 800.279.9404 | tech-support@pentair.com

<sup>§</sup>For a detailed list of where Pentair trademarks are registered, please visit [waterpurification.pentair.com/brands](http://waterpurification.pentair.com/brands).  
Pentair trademarks and logos are owned by Pentair plc or its affiliates. Third party registered and unregistered trademarks and logos are the property of their respective owners.

42319 REV G MY16 © 2016 Pentair Residential Filtration, LLC All Rights Reserved.