



# PUMPS AND WATER SYSTEMS

[pentair.com/flotec](http://pentair.com/flotec)



# Be choosy. Performance is essential.

For over 80 years, families all over the world have relied on Pentair® Flotec® residential water solutions to confidently move and store life's precious resource throughout their homes.

Whether it be sump, sewage, utility, sprinkler or well pumps, or water tanks, Flotec offers a complete product lineup to give you peace of mind that your water is flowing when and where you need it.

Designed for user-friendly installation from decades of pump solution expertise, continuous innovation, and our industry-leading commitment to quality, your choice of Flotec is a choice of living with a leader in elevated efficiency and advanced durability.

Our goal is to provide you with assured performance in your home and water system by keeping your water flowing with top quality products providing a higher quality of life.

For Professional Contractors, we have taken our pump expertise to the next level with an elite group of products designed to meet and exceed the requirements of any professional installer. Our Flotec Professional products further our legacy and commitment to help you deliver quality pump and water system performance to enable a higher quality of life for your customers.



## TABLE OF CONTENTS

### SUMP

Sump Pump System.....	5
Submersible Sump Pumps.....	6-10
Emergency Battery Backup Systems .....	11-14
Packaged Undersink Sump System.....	15
Smart Sump Controller / The Pentair Home App .....	16

### EFFLUENT

Submersible Effluent Pumps .....	18-20
----------------------------------	-------

### SEWAGE

Submersible Sewage Pumps.....	22-24
Packaged Sewage System .....	25

### UTILITY

Flood Kit.....	27
Multi-Purpose Household Kit .....	28
Submersible Utility Pumps.....	29-32
Automatic Utility Pump.....	33
Waterfall / Utility Pumps.....	34-35
Non-Submersible Utility Pumps.....	36-37
Undersink Utility Pump .....	38
Transfer Pump.....	39
Gas Engine Pump.....	40

### HOME WATER SYSTEMS

Shallow Well Jet Pumps.....	42-46
Convertible Jet Pumps .....	47-49
Deep Well Pump .....	50
Booster Pump .....	51
Centrifugal .....	52
2-Wire 4" Submersible Well Pump .....	53
3-Wire 4" Submersible Well Pump .....	54
Sprinkler Pumps.....	55-56

<b>ACCESSORIES.....</b>	<b>57-64</b>
-------------------------	--------------

<b>GLOSSARY OF TERMS .....</b>	<b>65-66</b>
--------------------------------	--------------



# SUMP PUMPS

Basements and crawl spaces are susceptible to flooding and collecting moisture.

Pentair® Flotec® Sump Pumps protect your home from flooding and unwanted water by removing groundwater away from your home. These products are designed to be placed into a sump basin, typically in the basement or foundation.

Whether you are a DIY enthusiast that is looking to tackle your next project or a professional contractor needing a sump pump that can meet and exceed project requirements, Flotec offers multiple configuration options including a variety of construction types, switches, volume and horsepower choices.

For replacement jobs, keep in mind replacing a sump pump can typically take about 30 minutes to 1 hour and can be completed with common household tools. It is important regardless of the grade of sump pump that you carefully follow all installation and operation instructions stated in the installation and operation manual.

For assistance in selecting the right pump for your needs call Flotec Customer Service at 1-800-365-6832.

# SUMP PUMPS

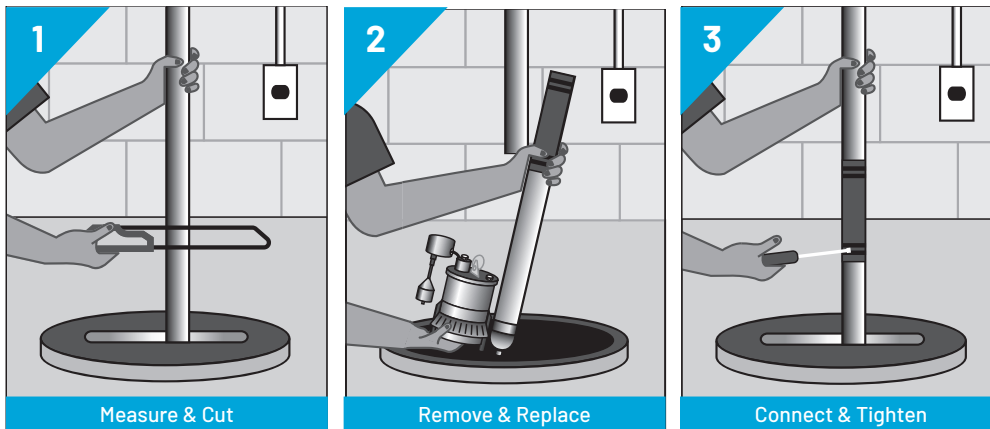
MODEL FPZS50RP



## 1/2 HP QUICK INSTALL SUMP PUMP SYSTEM

- Pre-plumbed for quick and easy installation
- Versatile design replaces a pedestal or submersible pump
- Zinc motor housing dissipates heat quickly and extends the pump life as well as resists corrosion
- Stainless steel hardware for superior quality
- Smooth Flow Hydraulics™ deliver high performance
- Piggyback vertical float switch for manual or automatic operation in basins with a minimum 10" diameter and 13" depth
- Package also includes a 24" long, 1-1/2" diameter PVC discharge pipe and check valve

**1**  
YEAR  
Warranty



### PERFORMANCE

Model	HP	Discharge Height Above Pumping Level (GPH)					Max. Lift	Discharge	Solids Handling	Switch Type	Switch		Cord Length
		0'	5'	10'	15'	20'					On	Off	
FPZS50RP	1/2	4,200	3,660	3,000	2,160	960	22'	1-1/2" FNPT	3/16"	Vertical	7.5"	3"	8'

### ORDERING INFORMATION

Model	UPC	Carton (L x W x H)	Cube (FT)	Pallet Qty.	Weight
FPZS50RP	0 22315 37733 2	8" x 6" x 33.25"	.92	35	12.35 lbs.

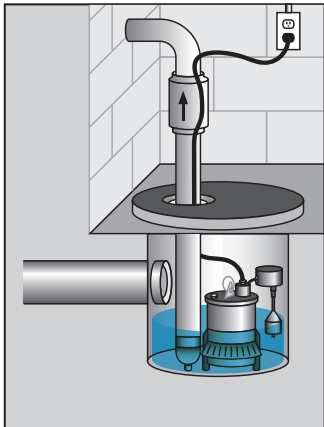
# SUMP PUMPS

MODELS FPZS25T, FPZS33T, FPZS50T, FPZS33V, FPZS50V,



## 1/4, 1/3, 1/2 & 3/4 HP SUMP PUMP

- Zinc motor housing dissipates heat quickly and extends the pump life as well as resists corrosion
- Stainless steel hardware for superior quality
- Smooth Flow Hydraulics deliver high performance
- Energy-efficient motor saves operating costs



### PERFORMANCE

Model	HP	Discharge Height Above Pumping Level (GPH)					Max. Lift	Discharge	Solids Handling	Switch Type	Switch		Cord Length
		0	5'	10'	15'	20'					On	Off	
FPZS25T	1/4	3,200	2,700	2,160	1,500	-	20'	1-1/2" FNPT	3/16"	Tethered	14"	5"	8'
FPZS33T	1/3	3,600	3,060	2,400	1,680	660	22'	1-1/2" FNPT	3/16"	Tethered	14"	5"	8'
FPZS50T	1/2	4,200	3,660	3,000	2,160	960	22'	1-1/2" FNPT	3/16"	Tethered	14"	5"	8'

Piggyback tethered float switch for manual or automatic operation in basins 14" diameter, 18" depth or larger

Model	HP	Discharge Height Above Pumping Level (GPH)					Max. Lift	Discharge	Solids Handling	Switch Type	Switch		Cord Length
		0	5'	10'	15'	20'					On	Off	
FPZS33V	1/3	3,600	3,060	2,400	1,680	660	22'	1-1/2" FNPT	3/16"	Vertical	7.5"	3"	8'
FPZS50V	1/2	4,200	3,660	3,000	2,160	960	22'	1-1/2" FNPT	3/16"	Vertical	7.5"	3"	8'

Piggyback vertical float switch for manual or automatic operation in basins 10" diameter, 13" depth or larger

### ORDERING INFORMATION

Model	UPC	Carton Dimensions	Cube (FT)	Pall Qty.	Weight
FPZS25T	0 22315 36845 3	8" x 6" x 12.75"	.354	105	7.7 lbs.
FPZS33T	0 22315 36846 0	8" x 6" x 12.75"	.354	105	7.7 lbs.
FPZS50T	0 22315 36848 4	8" x 6" x 12.75"	.354	105	10 lbs.
FPZS33V	0 22315 36847 7	8" x 6" x 12.75"	.354	105	7.7 lbs.
FPZS50V	0 22315 36849 1	8" x 6" x 12.75"	.354	105	10 lbs.

# SUMP PUMPS

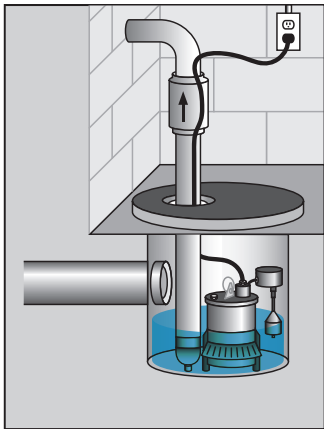
MODELS FPCI3350, FPCI5050



## 1/3 & 1/2 HP SUMP PUMP

- Zinc motor housing dissipates heat quickly and extends the pump life as well as resists corrosion
- Durable cast iron base
- Stainless steel hardware for superior quality
- Smooth Flow Hydraulics deliver high performance
- Energy-efficient motor saves operating costs
- Piggyback vertical float switch for manual or automatic operation in basins 10" diameter and 13" minimum depth

**2**  
YEAR  
▲  
Warranty



### PERFORMANCE

Model	HP	Discharge Height Above Pumping Level (GPH)					Max. Lift	Discharge	Solids Handling	Switch Type	Switch		Cord Length
		0	5'	10'	15'	20'					On	Off	
FPCI3350	1/3	4,200	3,660	3,000	2,160	960	22'	1-1/2" FNPT	1/4"	Vertical	7.5"	3"	8'
FPCI5050	1/2	4,700	4,200	3,540	2,820	1,800	24'	1-1/2" FNPT	1/4"	Vertical	7.5"	3"	8'

### ORDERING INFORMATION

Model	UPC	Carton (L x W x H)	Cube (FT)	Pallet Qty.	Weight
FPCI3350	0 22315 37818 6	7.63" x 7.63" x 14.25"	.48	90	14.6 lbs.
FPCI5050	0 22315 35843 9	7.63" x 7.63" x 14.25"	.48	90	14.6 lbs.

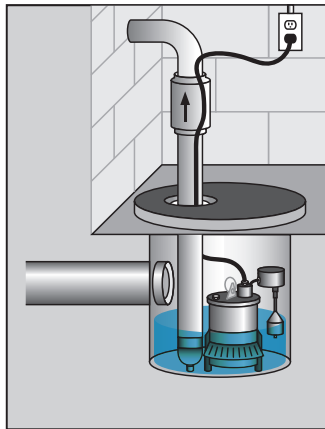
# SUMP PUMPS

MODELS FPZT7300, FPZT7350, FPZT7450, FPZT7550



## 1/2, 3/4 & 1 HP SUMP PUMP

- Uni-Body zinc motor housing dissipates heat quickly, extends the pump life as well as resists corrosion and eliminates leak points
- Quadra Seal Technology provides superior motor protection
- Smooth Flow Hydraulics deliver high performance
- Energy-efficient motor saves operating costs



### PERFORMANCE

Model	HP	Discharge Height Above Pumping Level (GPH)					Max. Lift	Discharge	Solids Handling	Switch Type	Switch		Cord Length
		0'	5'	10'	15'	20'					On	Off	
FPZT7300	1/2	6,000	5,100	4,140	2,940	1,380	23'	1-1/2" FNPT	3/8"	Tethered	13.5"	4.5"	8'

Piggyback tethered float switch for manual or automatic operation in basins 14" diameter, 18" depth or larger

Model	HP	Discharge Height Above Pumping Level (GPH)						Max. Lift	Discharge	Solids Handling	Switch Type	Switch		Cord Length
		0'	5'	10'	15'	20'	25'					On	Off	
FPZT7350	1/2	6,000	5,100	4,140	2,940	1,380	-	23'	1-1/2" FNPT	3/8"	Vertical	7.5"	3"	8'
FPZT7450	3/4	6,360	5,460	4,500	3,420	2,100	420	26'	1-1/2" FNPT	3/8"	Vertical	7.5"	3"	8'
FPZT7550	1	6,660	5,880	4,980	4,020	2,880	1,500	29'	1-1/2" FNPT	3/8"	Vertical	7.5"	3"	8'

Piggyback vertical float switch for manual or automatic operation in basins 11" diameter, 13" depth or larger

### ORDERING INFORMATION

Model	UPC	Carton Dimensions	Cube (FT)	Pall Qty.	Weight
FPZT7300	0 22315 36798 2	10" x 8" x 13.5"	.625	60	15 lbs.
FPZT7350	0 22315 36811 8	10" x 8" x 13.5"	.625	60	15 lbs.
FPZT7450	0 22315 36800 2	10" x 8" x 13.5"	.625	60	15 lbs.
FPZT7550	0 22315 36830 9	10" x 8" x 13.5"	.625	60	15 lbs.

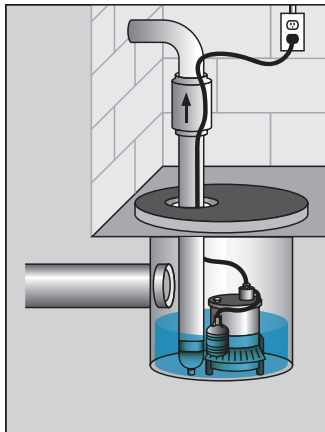
# SUMP PUMPS

MODEL FPSC3350A

## 1/3 HP SUMP PUMP

- Rugged cast iron construction designed for years of trouble-free operation
- Recessed vortex impeller resists clogging
- Heavy-duty integrated vertical switch
- Thermoplastic base includes suction screen to avoid debris blockage

**3**  
YEAR  
▲▲  
Warranty



### PERFORMANCE

Model	HP	Discharge Height Above Pumping Level (GPH)					Max. Lift	Discharge	Solids Handling	Switch Type	Switch		Cord Length
		0	5'	10'	15'	20'					On	Off	
FPSC3350A	1/3	3,360	2,880	2,400	1,740	900	24'	1-1/2" FNPT	1/2"	Vertical	9"	4"	10'

### ORDERING INFORMATION

Model	UPC	Carton Dimensions	Cube (FT)	Pall Qty.	Weight
FPSC3350A	0 22315 35813 3	12.5" x 9.75" x 13"	.92	42	24 lbs.

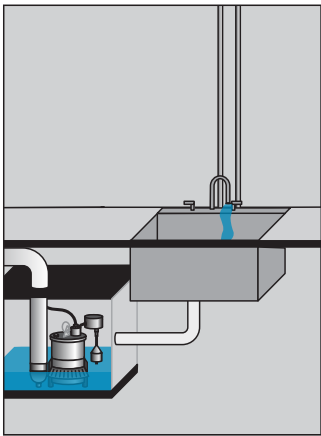
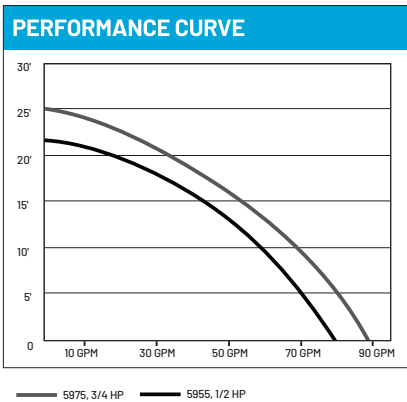
# SUMP PUMPS

MODELS E50VLT, E75VLT



## 1/2 & 3/4 HP SUMP PUMP

- Rugged cast-iron construction
- PSC (permanent split capacitor) motor for energy efficiency
- Raised inlet to prevent suction of debris
- Piggyback vertical float switch for manual or automatic operation in basins 10" diameter and 13" minimum depth



### PERFORMANCE

Model	HP	Discharge Height Above Pumping Level (GPH)					Max. Lift	Discharge	Solids Handling	Switch Type	Switch		Cord Length
		0	5'	10'	15'	20'					On	Off	
E50VLT	1/2	4800	4320	3660	2640	1020	22'	1-1/2" FNPT	3/8"	Vertical	7.5"	3"	10'
E75VLT	3/4	5280	4800	4020	3180	1800	25'	1-1/2" FNPT	3/8"	Vertical	7.5"	3"	10'

### ORDERING INFORMATION

Model	UPC	Carton (L x W x H)	Cube (FT)	Pallet Qty.	Weight
E50VLT	0 22315 34579 9	12.37" x 10.38" x 15.4"	1.14	36	25.5 lbs.
E75VLT	0 22315 34278 2	12.37" x 10.38" x 15.4"	1.14	36	25.5 lbs.

# SUMP PUMPS

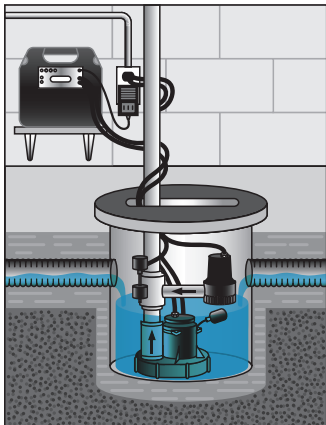
MODEL FPDC20



## EMERGENCY BATTERY BACKUP SUMP PUMP SYSTEM

- Helps protect your basement during power outage or primary pump failure
- Built-in indicator lights for easy status viewing and audible alarm sounds when backup pump is activated
- 2-Amp 5-stage charging technology
- Dual battery capability for ultimate peace of mind

**1**  
YEAR ▲  
Warranty



### PERFORMANCE

Model	Volts	Discharge Height Above Pumping Level (GPH)				Max. Lift	Discharge	Solids Handling	Switch Type	Cord Length
		0	5'	10'	15'					
FPDC20	12	2,040	1,380	600	240	13.3'	1-1/4" MNPT	3/16"	Reed	8'

### ORDERING INFORMATION

Model	UPC	Carton (L x W x H)	Cube (FT)	Pallet Qty.	Weight
FPDC20	0 22315 36835 4	16" x 10" x 20"	1.852	24	10.2 lbs.

Includes: battery case control unit, 12V pump, reed switch, AC power supply, 1-1/4" NPT to 1-1/2" glue PVC elbow, installation tee assembly, battery lead length 16"  
Compatible with flooded and sealed AGM deep-cycle lead acid batteries.  
For best performance use Pentair Parts<sub>2</sub>O BAT40 sealed AGM batteries (sold separately).

# SUMP PUMPS

MODEL FPDC30



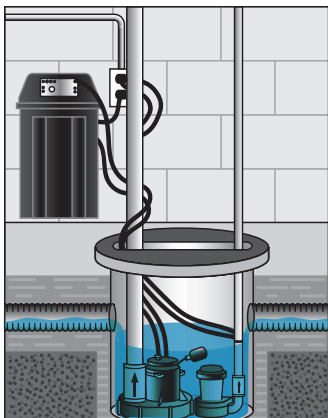
## EMERGENCY BATTERY BACKUP SUMP PUMP SYSTEM

- The Pentair Home App Remote Monitoring constantly monitors system conditions, and alerts you (by cellphone or computer) when your basement is in danger of flooding
- Proprietary smart charging technology recharges battery 25% faster and extends battery life
- High performance pump removes up to 83% more gallons per charge than the leading competitor

**2**  
YEAR   
Warranty



LEARN MORE AT:  
[www.pentair.com/home-app](http://www.pentair.com/home-app)



### PERFORMANCE

Model	HP	Discharge Height Above Pumping Level (GPH)				Max. Lift	Discharge	Solids Handling	Switch Type	Cord Length
		0'	5'	10'	14'					
FPDC30	12V	2,700	2,040	1,260	360	15'	1-1/4" MNPT	3/16"	Reed	8'

### ORDERING INFORMATION

Model	UPC	Carton (L x W x H)	Cube (FT)	Pallet Qty.	Weight
FPDC30	0 22315 36838 5	18.25" x 10.13" x 16.63"	1.779	20	12.2 lbs.

Includes: battery case control unit, 12V pump, reed switch, AC power supply, wireless gateway, 1-1/4" NPT to 1-1/2" glue PVC elbow, installation tee assembly, battery lead length 16"  
Compatible with flooded and sealed AGM deep-cycle lead acid batteries.  
For best performance use Pentair Parts<sub>0</sub> BAT40 sealed AGM batteries (sold separately).

# SUMP PUMPS

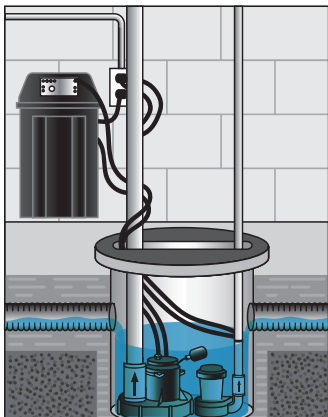
MODEL FPCC3320



## EMERGENCY BATTERY BACKUP SUMP PUMP SYSTEM

- Proprietary Smart Charging Technology to recharge battery 5x faster and extend battery life
- High performance pump removes up to 48% more gallons per charge than the leading competitor
- 1/3 HP primary pump removes 3,600 gallons per hour

**1**  
YEAR ▲  
Warranty



### PERFORMANCE- PRIMARY PUMP

Model	Volts	Discharge Height Above Pumping Level (GPH)					Max. Lift	Discharge	Solids Handling	Switch Type	Cord Length
		0'	5'	10'	15'	20'					
FPCC3320	115	3,600	3,060	2,400	1,680	660	22'	1 1/2" FNPT	3/16"	Vertical	8'

### PERFORMANCE- BACKUP PUMP

Model	Volts	Discharge Height Above Pumping Level (GPH)				Max. Lift	Discharge	Solids Handling	Switch Type	Cord Length
		0'	5'	10'	12'					
FPCC3320	12	2,040	1,380	600	240	13.3'	1 1/4" MNPT	3/16"	Reed	8'

Includes: battery lead length 16"

### ORDERING INFORMATION

Model	UPC	Carton (L x W x H)	Cube (FT)	Pallet Qty.	Weight
FPCC3320	0 22315 37758 5	18.25" x 10.13" x 16.63"	1.77	20	18.5 lbs.

Includes: battery case control unit, 12V pump, reed switch, AC power supply, wireless gateway, 1-1/4" NPT to 1-1/2" glue PVC elbow, installation tee assembly, battery lead length 16"  
Compatible with flooded and sealed AGM deep-cycle lead acid batteries.  
For best performance use Pentair Flotec BAT40 sealed AGM batteries (sold separately).

# SUMP PUMPS

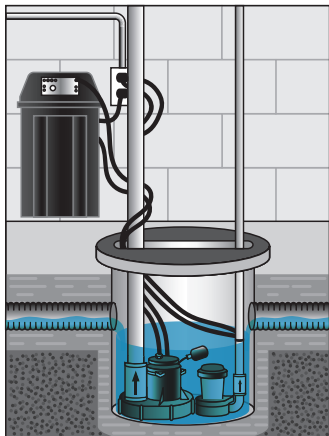
MODEL FPCC5030



## EMERGENCY BATTERY BACKUP SUMP PUMP SYSTEM

- The Pentair Home App constantly monitors system conditions, and alerts you (by cellphone or computer) when your basement is in danger of flooding. At home, at work, or across the globe you are protected and informed.
- Proprietary Smart Charging Technology to recharge battery 25% faster and extend battery life
- High performance pump removes up to 83% more gallons per charge than the leading competitor
- 1/2 HP primary pump removes 4,200 gallons per hour

**2**  
YEAR   
Warranty



LEARN MORE AT:  
[www.pentair.com/home-app](http://www.pentair.com/home-app)



### PERFORMANCE- PRIMARY PUMP

Model	HP	Discharge Height Above Pumping Level (GPH)					Max. Lift	Discharge	Solids Handling	Switch Type	Cord Length
		0'	5'	10'	15'	20'					
FPCC5030	1/2	4,200	3,660	3,000	2,160	960	22'	1 1/2" FNPT	3/16"	Vertical	8'

### PERFORMANCE- BACKUP PUMP

Model	Volts	Discharge Height Above Pumping Level (GPH)				Max. Lift	Discharge	Solids Handling	Switch Type	Cord Length
		0'	5'	10'	14'					
FPCC5030	12	2,700	2,040	1,260	360	15'	1 1/4" MNPT	3/16"	Reed	8'

### ORDERING INFORMATION

Model	UPC	Carton (L x W x H)	Cube (FT)	Pallet Qty.	Weight
FPCC5030	0 22315 37759 2	18.25" x 10.13" x 16.63"	1.78	20	22 lbs.

Includes: battery case control unit, 12V pump, reed switch, AC power supply, wireless gateway, pre-plumbed w/wye connection and check valves, 1/2 HP primary pump w/vertical switch, battery lead length 16"

Compatible with flooded and sealed AGM deep-cycle lead acid batteries.

For best performance use Pentair Parts,0 BAT40 sealed AGM batteries (sold separately).

# SUMP PUMPS

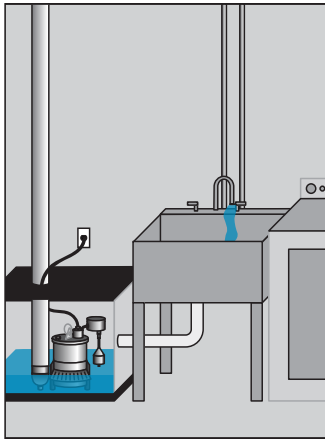
MODEL FPZS33LTS



## PRE-PLUMBED 1/3 HP PACKAGED SUMP PUMP SYSTEM

- Use for any above floor discharge of liquids such as: under laundry tub, remodeling wet bar, humidifier or sink draining with overload protection
- Piggyback vertical float switch for manual or automatic operation
- Easy installation eliminates need for expensive plumbing renovation
- Package includes FPZS33V sump pump (page 6), piggyback vertical float switch, 6-gallon structural foam drainage tank and PVC discharge pipe
- Basin Dimensions: 15-1/8" L x 15-1/8" W x 13-5/8" H (384 mm L x 384 mm W x 346 mm H)

**1**  
YEAR ▲  
Warranty



### PERFORMANCE

Model	HP	Discharge Height Above Pumping Level (GPH)					Max. Lift	Discharge	Solids Handling	Switch Type	Switch		Cord Length
		0'	5'	10'	15'	20'					On	Off	
FPZS33LTS	1/3	3,600	3,060	2,400	1,680	660	22'	1-1/2" FNPT	3/16"	Vertical	7.5"	3.5"	8'

### ORDERING INFORMATION

Model	UPC	Carton (L x W x H)	Cube (FT)	Pallet Qty.	Weight
FPZS33LTS	0 22315 37798 1	15.2" x 15.8" x 14.2"	1.97	18	18 lbs.

## EMERGENCY BATTERY BACKUP SUMP PUMP SYSTEM

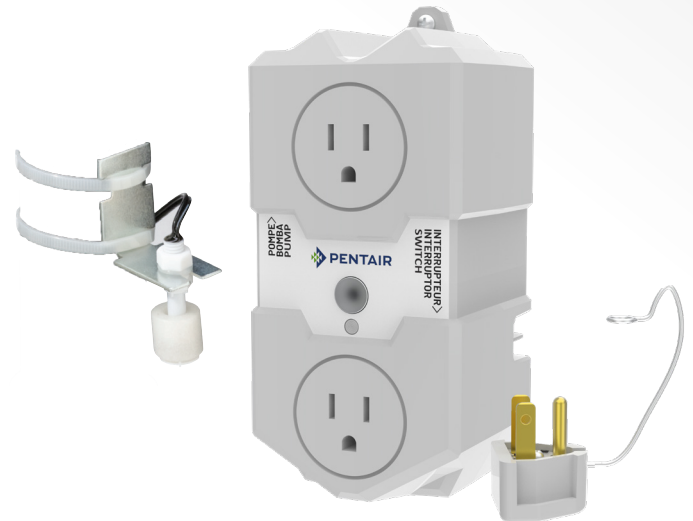
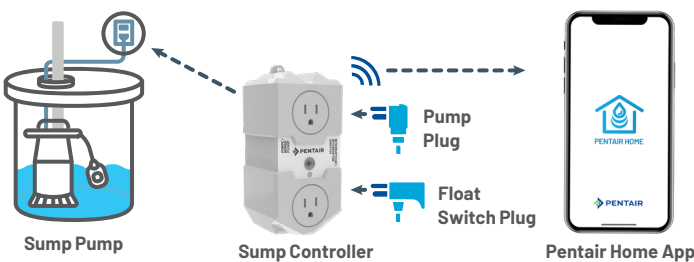
Pentair Sump Controller is an easy-to-install, versatile sump controller. This smart connected device activates the homeowner's sump pump when the basement starts to take in water. The universal outlet allows the user to retrofit the Sump Controller with most existing sump pumps. Sump Controller can detect primary float switch failure and activates the pump using a secondary high water alarm, stepping in to reduce the risk of flooding if necessary. It can also count the number of cycles the pump has completed and the amount of run per cycle. This helps detect failures before they occur.

### PROTECT YOUR HOME WITH REMOTE MONITORING AND AUTOMATIC OPERATION

- Control pump settings and access analytics remotely via Pentair Home App
- Schedule health tests to ensure your sump system is ready
- Monitor critical pump data
- Set up real-time pump alerts and alarms
- Compatible with most sump pumps and piggy-back float switches



LEARN MORE AT:  
[www.pentair.com/home-app](http://www.pentair.com/home-app)



### ORDERING INFORMATION

Model	Description	Weight (Lbs. / Kg)	Dimensions (in. / mm)			Master Pack Quantity
			L	W	H	
SSPC	Pentair Sump Controller	Controller	2.8	3.1	6.2	15
		_____	70.1	78.0	156.5	
		Carton with controller	3.5	7.1	5.4	
		_____	88.9	180.8	135.9	

Sump controller, pseudo plug with tether attachment, reed float switch, wall mount tab and screw, installation manual



# EFFLUENT PUMPS

An effluent pump is used to transfer liquid effluent "grey water" from a pumping chamber to a distribution component when the effluent cannot flow by gravity. Liquid effluent is what is ejected from dishwashers, washing machines, shower stalls and bath tubs. These pumps are not equipped to handle flushable waste, such as sewage.

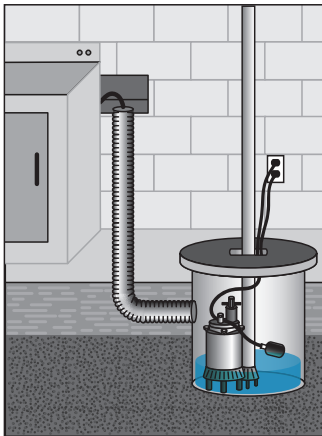
# EFFLUENT PUMPS

MODEL FPSE2800A



## 1/3 HP EFFLUENT PUMP

- Handles up to 3/4" solids
- Thermoplastic construction for corrosion resistance
- High-efficiency motor with overload protection
- Tethered float switch with piggyback controls to allow for manual operation



### PERFORMANCE

Model	HP	Discharge Height Above Pumping Level (GPH)						Max. Lift	Discharge	Solids Handling	Switch Type	Switch		Cord Length
		0'	5'	10'	15'	20'	25'					On	Off	
FPSE2800A	1/3	3,600	3,180	2,700	2,100	1,500	750	29'	2" FNPT	3/4"	Tethered	14.75"	7.5"	15'

### ORDERING INFORMATION

Model	UPC	Carton (L x W x H)	Cube (FT)	Pallet Qty.	Weight
FPSE2800A	0 22315 10202 6	10.25" x 7.25" x 16.5"	.71	50	12.9 lbs.

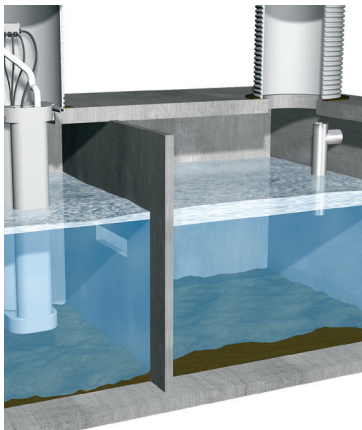
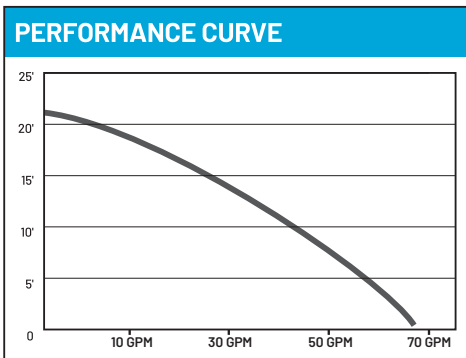
# EFFLUENT PUMPS

MODEL E3375TLT



## 1/3 HP EFFLUENT PUMP

- Heavy-duty motor
- Rugged construction
- Handles up to 3/4" solids
- Easy to install
- Septic tank, laundry, and dishwasher applications



### PERFORMANCE

Model	HP	Discharge Height Above Pumping Level (GPH)					Max. Lift	Discharge	Solids Handling	Switch Type	Switch		Cord Length
		0	5'	10'	15'	20'					On	Off	
E3375TLT	1/3	4,080	3,480	2,760	1,920	720	22'	1-1/2" FNPT	3/4"	Tethered	13.5"	4.5"	20'

### ORDERING INFORMATION

Model	UPC	Carton (L x W x H)	Cube (FT)	Pallet Qty.	Weight
E3375TLT	0 22315 36363 2	12.75" x 10" x 12.88"	.95	42	28 lbs.

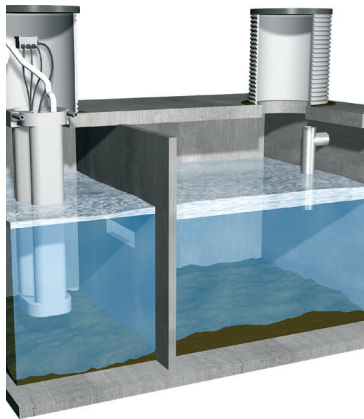
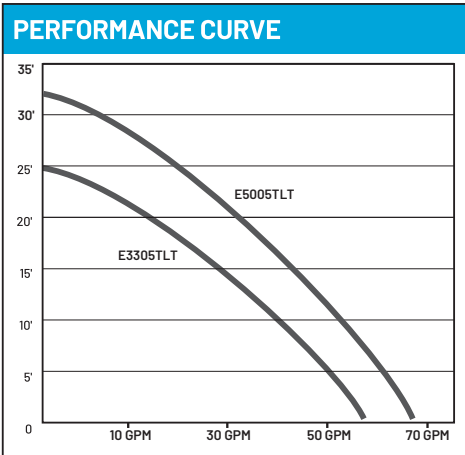
# EFFLUENT PUMPS

MODELS E3305TLT, E5005TLT



## 1/3 AND 1/2 HP EFFLUENT PUMP

- Heavy-duty motor
- Rugged construction
- Handles up to 1/2" solids
- Septic tank, laundry, and dishwasher applications



### PERFORMANCE

Model	HP	Discharge Height Above Pumping Level (GPM/GPH)							Max. Lift	Discharge	Solids Handling	Switch Type	Switch		Cord Length
		0'	5'	10'	15'	20'	25'	30'					On	Off	
E3305TLT	1/3	3,360	2,880	2,400	1,740	900	-	-	24'	1-1/2"	1-1/2" FNPT	Tethered	13"	4"	20'
E5005TLT	1/2	4,020	3,720	3,200	2,820	2,280	1,680	600	31'	1-1/2"	1-1/2" FNPT	Tethered	13"	4"	20'

### ORDERING INFORMATION

Model	UPC	Carton (L x W x H)	Cube (FT)	Pallet Qty.	Weight
E3305TLT	0 22315 36362 5	12.75" x 10" x 12.88"	12.75" x 10" x 12.88"	42	25 lbs.
E5005TLT	0 22315 36364 9	12.75" x 10" x 12.88"	12.75" x 10" x 12.88"	42	33 lbs.



# SEWAGE PUMPS

For any home with basement toilets or washing machines, it is vital that you have a reliable sewage pump. Sewage pumps lift wastewater from the sewage basin up and into the main sewer line. These compact and rugged products are built with durable components to withstand the worst elements.

Pentair® Flotec® Sewage Pumps are specially designed for installation within a sewage basin, which is commonly located in the basement or foundation of your home, and to pump solids up to 2 inches. This is possible due to the built-in impeller that creates a spinning action in the water to keep solids up to 2" in diameter moving freely. Each application is unique, so Flotec offers multiple configuration options including a variety of construction types, switches, volume and horsepower choices.

For assistance in selecting the right pump for your needs call Flotec Customer Service at 1-800-365-6832.

# SEWAGE PUMPS

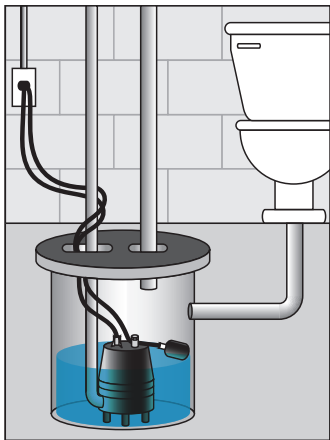
MODEL FPSE3200A



## 4/10 HP SEWAGE PUMP

- Ideal for basement installation, pumping below-grade toilets, laundry facilities and general dewatering
- Durable corrosion-resistant thermoplastic construction maximizes pump life
- Energy-efficient motor with overload protection provides safe operation
- Piggyback tethered float switch for automatic or manual operation in 18" diameter, 30" depth minimum sewage basins or larger

**1**  
YEAR  
Warranty



### PERFORMANCE

Model	HP	Discharge Height Above Pumping Level (GPH)				Max. Lift	Discharge	Solids Handling	Switch Type	Switch		Cord Length
		0'	5'	10'	15'					On	Off	
FPSE3200A	4/10	5,250	3,900	2,550	960	18'	2" FNPT	2"	Tethered	17.25"	9.5"	8'

### ORDERING INFORMATION

Model	UPC	Carton (L x W x H)	Cube (FT)	Pallet Qty.	Weight
FPSE3200A	0 22315 102019	10.25" x 7.25" x 16.50"	.710	50	12 lbs.

# SEWAGE PUMPS

MODEL FPSE3601A



1/2 HP

## SEWAGE PUMP

- Ideal for basement installation, pumping below-grade toilets, laundry facilities and general dewatering
- Rugged cast-iron construction maximizes pump life
- Reliable motor with overload protection provides safe operation
- Piggyback tethered float switch for automatic or manual operation in 18" diameter, 30" depth minimum sewage basins or larger



### PERFORMANCE

Model	HP	Discharge Height Above Pumping Level (GPH)				Max. Lift	Discharge	Solids Handling	Switch Type	Switch		Cord Length
		0	5'	10'	15'					On	Off	
FPSE3601A	1/2	9,000	7,200	5,400	3,000	18'	2" FNPT	2"	Tethered	16.5"	7.5"	10'

### ORDERING INFORMATION

Model	UPC	Carton (L x W x H)	Cube (FT)	Pallet Qty.	Weight
FPSE3601A	0 22315 10035 0	10.56" x 9.19" x 17.06"	1.03	32	36.3 lbs.

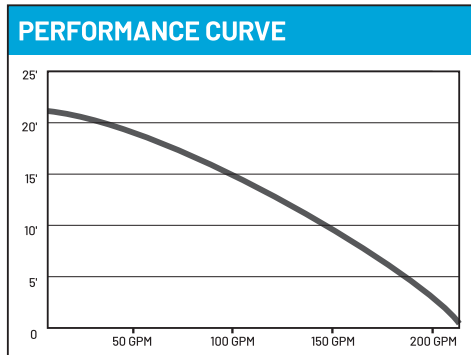
# SEWAGE PUMPS

MODEL E75STVT



## 3/4 HP SEWAGE PUMP

- Ideal for basement installation, pumping below-grade toilets, laundry facilities and general dewatering
- Energy-efficient PSC (permanent split capacitor) motor
- Reliable motor with overload protection provides safe operation
- Rugged cast-iron construction maximizes pump life
- Piggyback tethered float switch for automatic or manual operation in basins 18" or larger in diameter



### PERFORMANCE

Model	HP	Discharge Height Above Pumping Level (GPH)					Max. Lift	Discharge	Solids Handling	Switch Type	Switch		Cord Length
		0	5'	10'	15'	20'					On	Off	
E75STVT	3/4	225 13,500	190 11,400	153 9,300	105 6,300	40 2,400	22'	2" FNPT	2"	Tethered	16.5"	7.5"	10'

### ORDERING INFORMATION

Model	UPC	Carton (L x W x H)	Cube (FT)	Pallet Qty.	Weight
E75STVT	0 22315 34218 7	11.4" x 10.4" x 16.4"	1.125	32	50.5 lbs.

# SEWAGE PUMPS

MODEL FP400C



4/10 HP

## SEWAGE PUMP SYSTEM

- All-in-one system includes basin, lid cover, check valve, and pump
- Virtually clog-free discharge handles up to 2" solids
- Thermoplastic construction for corrosion resistance

**1**  
YEAR ▲  
Warranty

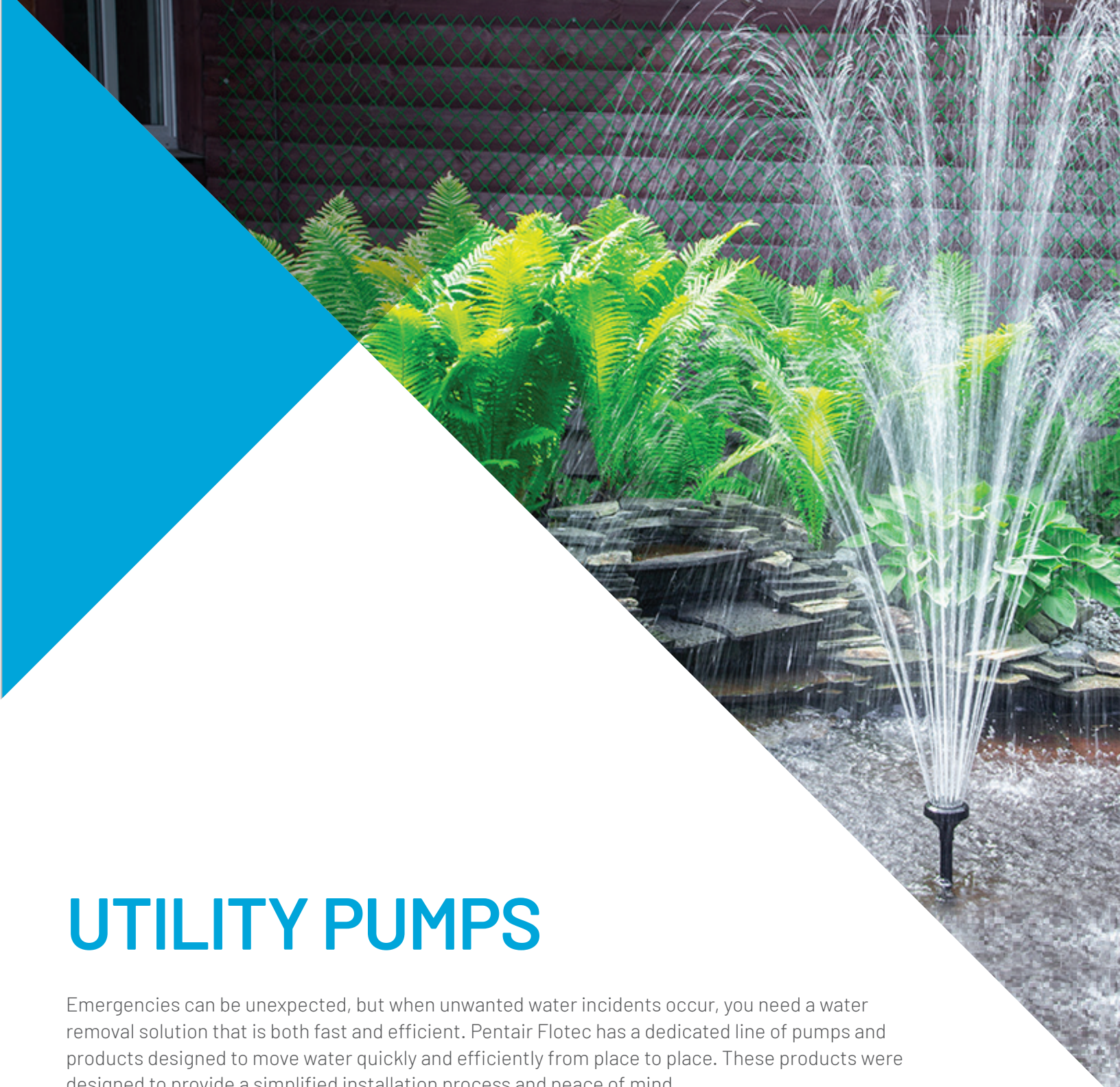


### PERFORMANCE

Model	HP	Discharge Height Above Pumping Level (GPH)				Max. Lift	Discharge	Solids Handling	Switch Type	Switch		Cord Length
		0	5'	10'	15'					On	Off	
FP400C	4/10	5,250	3,900	2,550	960	18'	2" FNPT	2"	Tethered	17.25"	9.5"	8'

### ORDERING INFORMATION

Model	UPC	Carton (L x W x H)	Cube (FT)	Pallet Qty.	Weight
FP400C	0 22315 13727 1	18" x 30" x 18"	5.63	4	29.75 lbs.



# UTILITY PUMPS

Emergencies can be unexpected, but when unwanted water incidents occur, you need a water removal solution that is both fast and efficient. Pentair Flotec has a dedicated line of pumps and products designed to move water quickly and efficiently from place to place. These products were designed to provide a simplified installation process and peace of mind.

Pentair® Flotec® Utility Pumps are available in submersible or non-submersible, portable product options designed for versatile applications including water removal or everyday applications around your home. Typical installations are for temporary applications including emergency use or dewatering your property after a weather event or transfer. Additionally, these pumps can be used to run waterfalls/fountains, act as transfer pumps meant for lawn irrigating or transferring water to animals, draining pools, ponds and hot tubs.

For assistance in selecting the right pump for your needs call Flotec Customer Service at 1-800-365-6832.

# UTILITY PUMPS

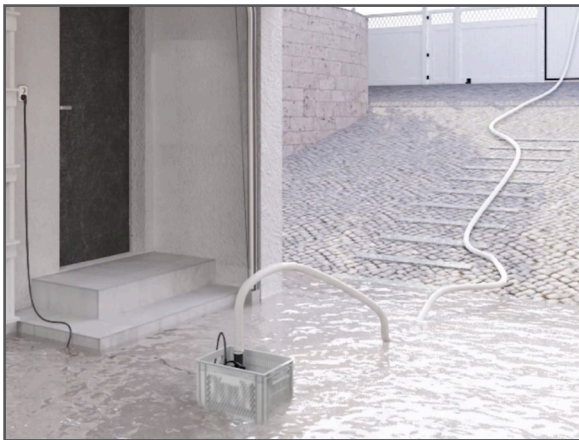
MODEL FPUFKP40



## 4/10 HP FLOOD KIT

- Durable corrosion resistant thermoplastic pump (FPOS3000X)
- High performing pump draws water down to 7/16"
- 25' durable cloth hose is easy to attach with corrosion resistant cam locks (MHC25)
- Storage and carrying cage can also be used to filter large debris during dewatering

**1**  
YEAR ▲  
Warranty



### PERFORMANCE

Model	HP	Discharge Height Above Pumping Level (GPH)					Max. Lift	Discharge	Switch Type	Cord Length	Solids Handling
		0'	5'	10'	15'	20'					
FPUFKP40	4/10	3,000	2,500	1,900	1,320	750	25'	1-1/4"	Manual	15'	1/4"

### ORDERING INFORMATION

Model	UPC	Carton (L x W x H)	Cube (FT)	Pallet Qty.	Weight
FPUFKP40	0 22315 38234 3	15.75" x 11.75" x 12.5"	1.339	24	17.2 lbs.

# UTILITY PUMPS

MODEL FPOS2600RP



## 1/4 HP MULTI-PURPOSE HOUSEHOLD PUMP KIT FLOW 'N STOW

- Great for many uses such as flood removal, gardening, pool/hot tub emptying, window well dewatering, and many other applications
- Save time and money when unexpected flooding happens
- Quickly and easily complete household water removal chores
- Easy to use; Easy to store
- Kit includes continuous operation 1/4 HP utility pump, 18' high-capacity hose, hose adapter, and convenient storage crate
- Pumps water down to 3/16"

**1**  
YEAR  
Warranty



	20' x 20' Flooded Basement with 1ft. of water	400 gallon Hot Tub
<b>SAVES YOU TIME!</b>		
1/2" Garden Hose	12 Hours	1-1/2 Hours
Flow 'N Stow* Pump Kit	3 Hours	25 Minutes

### PERFORMANCE

Model	HP	Discharge Height Above Pumping Level (GPH)					Max. Lift	Discharge	Switch Type	Cord Length
		0	5'	10'	15'	20'				
FPOS2600RP	1/4	2,200	1,890	1,530	1,080	480	22'	1" FNPT	Manual	8'

### ORDERING INFORMATION

Model	UPC	Carton (L x W x H)	Cube (FT)	Pallet Qty.	Weight
FPOS2600RP	0 22315 36844 6	13.125" x 13.125" x 11.2"	1.117	36	23 lbs.

# UTILITY PUMPS

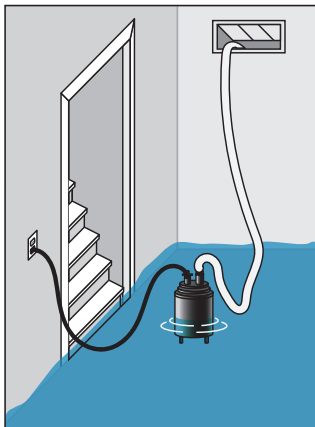
MODEL FPOS1250X



## 1/6 HP UTILITY PUMP

- General purpose pump for removing unwanted water to 3/16" depth
- Thermoplastic construction for the highest corrosion-resistance
- Portable and versatile to use where unwanted water collects
- 1"NPT x 3/4" MGH garden hose adapter included for quick and easy setup

**1**  
YEAR ▲  
Warranty



### PERFORMANCE

Model	HP	Discharge Height Above Pumping Level (GPH)				Max. Lift	Discharge	Switch Type	Cord Length
		0	5'	10'	15'				
FPOS1250X	1/6	1,200	1,140	840	480	20'	1" FNPT	Manual	8'

### ORDERING INFORMATION

Model	UPC	Carton (L x W x H)	Cube (FT)	Pallet Qty.	Weight
FPOS1250X	0 22315 10001 5	6.5" x 6.5" x 10.25"	.25	168	5.9 lbs.

# UTILITY PUMPS

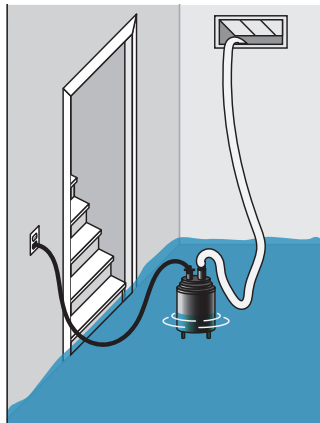
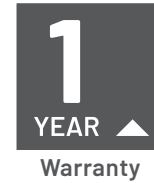
MODEL FPOS2600X



1/4 HP

## UTILITY PUMP

- General purpose pump for removing unwanted water down to 3/16" depth
- Thermoplastic construction
- Zinc motor housing dissipates heat quickly and extends motor life
- Stainless steel fasteners and hardware
- 1"NPT x 3/4" MGH garden hose adapter included for quick and easy setup



### PERFORMANCE

Model	HP	Discharge Height Above Pumping Level (GPH)					Max. Lift	Discharge	Switch Type	Cord Length
		0'	5'	10'	15'	20'				
FPOS2600X	1/4	2,200	1,890	1,530	1,080	480	22'	1" FNPT	Manual	8'

### ORDERING INFORMATION

Model	UPC	Carton (L x W x H)	Cube (FT)	Pallet Qty.	Weight
FPOS2600X	0 22315 37813 1	6.5" x 6.5" x 10.25"	.25	168	5.9 lbs.

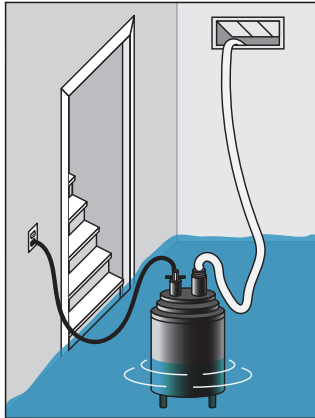
# UTILITY PUMPS

MODEL FPOS1300X, FPOS1600X



## 1/4 HP UTILITY PUMP

- Versatile design for easy use in window wells, basements, rooftops or other unwanted-water locations
- Convenient T-bar handle makes it easily portable
- Rugged thermoplastic construction resists corrosion, impact, stress, and heat
- 3/4" garden hose adapter included for quick and easy setup
- Pumps water down to 3/16"



### PERFORMANCE

Model	HP	Discharge Height Above Pumping Level (GPH)					Max. Lift	Discharge	Switch Type	Cord Length
		0'	5'	10'	15'	20'				
FPOS1300X	1/6	1,470	1,250	930	660	-	20'	1" FNPT	Manual	8'
FPOS1600X	1/4	1,800	1,524	1,260	924	372	22'	1" FNPT	Manual	8'

### ORDERING INFORMATION

Model	UPC	Carton (L x W x H)	Cube (FT)	Pallet Qty.	Weight
FPOS1300X	0 22315 10002 2	6.50" x 6.50" x 9.88"	.241	168	6.4 lbs.
FPOS1600X	0 22315 13823 0	6.50" x 6.50" x 9.88"	.241	168	7.4 lbs.

# UTILITY PUMPS

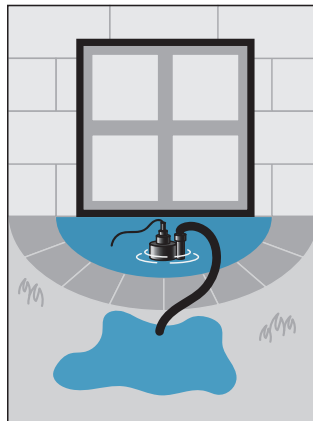
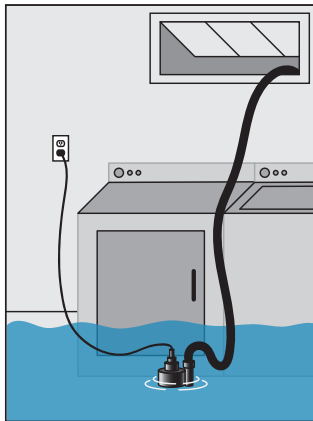
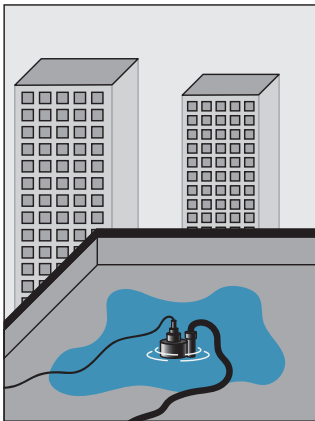
MODELS FPSC1725X



## 1/4 HP UTILITY PUMP

- Heavy-duty epoxy-coated aluminum construction maximizes pump life
- Portable and versatile design for easy use in window wells, basements, rooftops or other unwanted-water locations
- Garden hose adapter included for quick and easy setup
- Convenient T-bar handle makes it easily portable
- Pumps water down to 1/8"

**3**  
YEAR  
Warranty



### PERFORMANCE

Model	HP	Discharge Height Above Pumping Level (GPH)					Max. Lift	Discharge	Switch Type	Cord Length
		0	5'	10'	15'	20'				
FPSC1725X	1/4	1,320	1,170	1,020	810	510	25'	1 1/4" FNPT	Manual	8'

### ORDERING INFORMATION

Model	UPC	Carton (L x W x H)	Cube (FT)	Pallet Qty.	Weight
FPSC1725X	0 22315 17185 5	7" x 7" x 10"	.283	90	9.5 lbs.

# UTILITY PUMPS

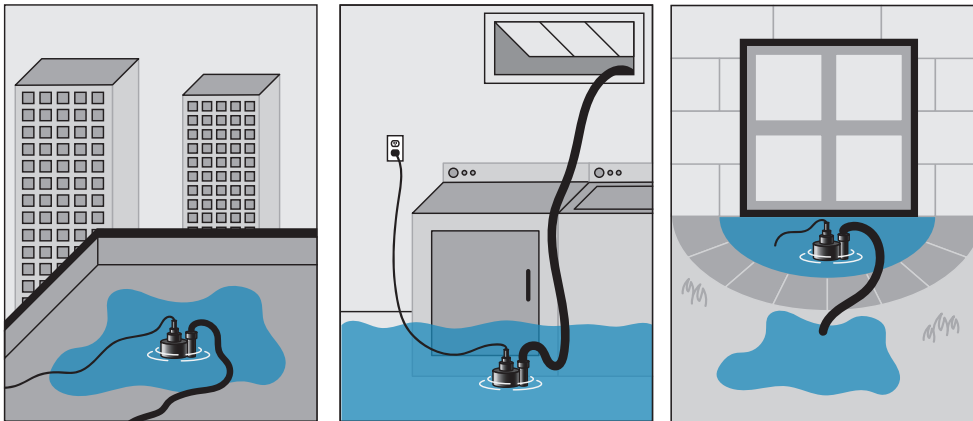
MODEL FPOS1775A



1/4 HP

## AUTO UTILITY PUMP

- Checks for water automatically – senses water at 3/4", pumps down to 1/4"
- Smart electronic sensor – innovative monitor checks for water every 2-1/2 minutes and shuts off when none is detected. One-time installation, plug and pump.
- Ideal for use in basements, rooftops, window wells, and regularly flooded areas
- Garden hose adapter included for quick and easy setup
- Convenient T-bar handle makes it easily portable



### PERFORMANCE

Model	HP	Discharge Height Above Pumping Level (GPH)					Max. Lift	Discharge	Switch Type	Cord Length
		0	5'	10'	15'	20'				
FPOS1775A	1/4	1,800	1,524	1,260	924	372	22'	1" FNPT	Automatic	15'

### ORDERING INFORMATION

Model	UPC	Carton (L x W x H)	Cube (FT)	Pallet Qty.	Weight
FPOS1775A	0 22315 17031 5	8.31" x 6.15" x 12.13"	.358	108	8.25 lbs.

# UTILITY PUMPS

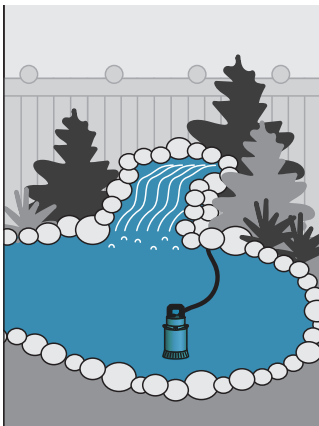
MODEL FPOS4100X



1/2 HP

## UTILITY/WATERFALL PUMP

- Superior performance pumps up to 4,100 gallons per hour
- Complete stainless steel construction for superior corrosion-resistance
- Oil-free motor safe for fish and plants
- Dual ball-bearing design
- 1 1/4" x 1" NPT garden hose adapter included for quick and easy setup
- Pumps water down to 1-3/8"



### PERFORMANCE

Model	HP	Discharge Height Above Pumping Level (GPH)						Max. Lift	Discharge	Switch Type	Cord Length
		0'	5'	10'	15'	20'	25'				
FPOS4100X	1/2	4,100	3,600	3,000	2,400	1,650	900	30'	1-1/4" MNPT	Manual	15'

### ORDERING INFORMATION

Model	UPC	Carton (L x W x H)	Cube (FT)	Pallet Qty.	Weight
FPOS4100X	0 22315 16482 6	7" x 6.8" x 14"	.386	48	16.8 lbs.

# UTILITY PUMPS

MODEL FPOS3000X

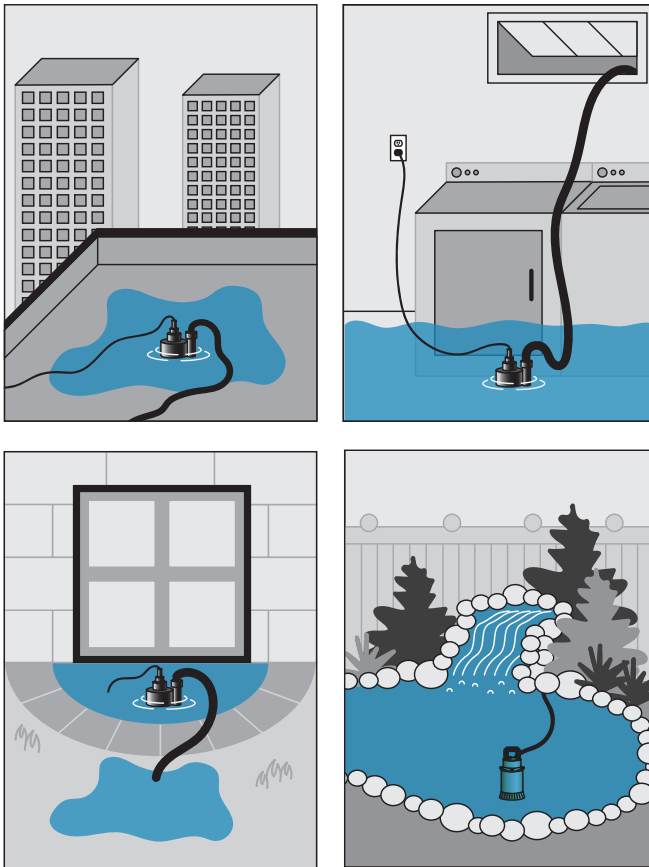


4/10HP

## WATERFALL / UTILITY PUMP

- Portable and versatile design transfers unwanted water from window wells, basements, rooftops or shallow flooded areas
- Durable thermoplastic is completely corrosion-free
- Oil-free motor is safe for fish and plants
- Garden hose adapter included for quick and easy setup
- Portable with convenient built-in handle
- Pumps water down to 7/16"
- Includes a 1/2", 3/4", and 1" barbed hose adapter and 1" reducer

**1**  
YEAR ▲  
Warranty



### PERFORMANCE

Model	HP	Discharge Height Above Pumping Level (GPH)					Max. Lift	Discharge	Switch Type	Cord Length
		0	5'	10'	15'	20'				
FPOS3000X	4/10	3,000	2,500	1,900	1,320	750	25'	1-1/4" MBSP	Manual	15'

### ORDERING INFORMATION

Model	UPC	Carton (L x W x H)	Cube (FT)	Pallet Qty.	Weight
FPOS3000X	0 22315 16481 9	6.7" x 6.7" x 12.2"	.317	90	8.4 lbs.

# UTILITY PUMPS

MODEL FPOF360AC

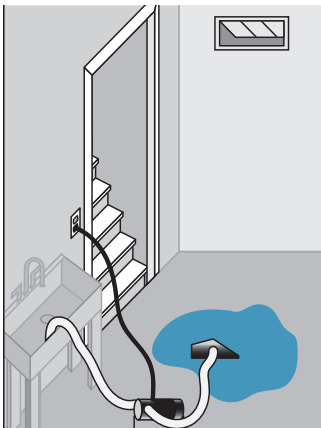


1/12 HP

## NON-SUBMERSIBLE UTILITY PUMP

- Non-submersible, multi-purpose pump – designed for emergency dewatering, draining aquariums, waterbeds, clogged sinks, etc.
- Portable with convenient built-in handle
- Corrosion-resistant compact construction maximizes pump life
- Self-priming at 6' vertically, pump will push water 40' high
- Includes pump 6' garden hose and PUD-L-SCOOP® suction attachment
- Draws water down to 1/8"

**90**  
DAY  
Warranty



### PERFORMANCE

Model	HP	Discharge Height Above Pumping Level (GPH)						Max. Lift	Suction Size	Discharge Size	Switch Type	Cord Length
		0	5'	10'	20'	30'	40'					
FPOF360AC	1/12	350	330	300	240	145	62	43'	3/4" Garden Hose	3/4" Garden Hose	Manual	6'

### ORDERING INFORMATION

Model	UPC	Carton (L x W x H)	Cube (FT)	Pallet Qty.	Weight
FPOF360AC	0 22315 35771 6	6.5" x 6.5" x 11"	.268	168	6.4 lbs.

# UTILITY PUMPS

MODEL FPOFDC

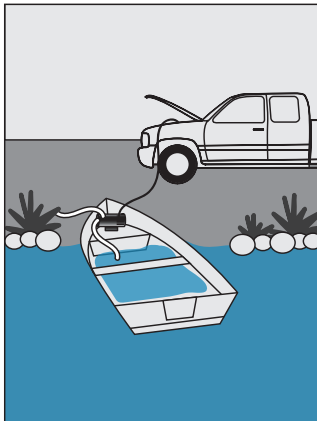


12V

## NON-SUBMERSIBLE UTILITY PUMP

- Non-submersible, multi-purpose pump – designed for emergency dewatering, draining aquariums, waterbeds, clogged sinks, etc.
- Corrosion-resistant compact construction maximizes pump life
- Self-priming at 6' vertically, pump will push water 45' high
- Convenient T-bar handle makes it easily portable
- Includes pump 6' garden hose and PUD-L-SCOOP suction attachment
- Draws water down to 1/8"

**90**  
DAY  
Warranty



### PERFORMANCE

Model	HP	Discharge Height Above Pumping Level (GPH)						Max. Lift	Suction Size	Discharge Size	Switch Type	Cord Length
		0	5'	10'	20'	30'	40'					
FPOFDC	1/12	450	435	390	300	225	130	45'	3/4" Garden Hose	3/4" Garden Hose	Manual	9'5"

### ORDERING INFORMATION

Model	UPC	Carton (L x W x H)	Cube (FT)	Pallet Qty.	Weight
FPOFDC	0 22315 35771 6	6.5" x 6.5" x 11"	.268	168	8.21 lbs.

# UTILITY PUMPS

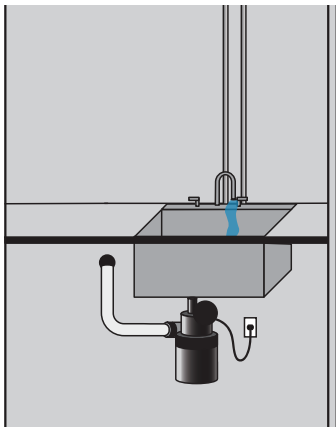
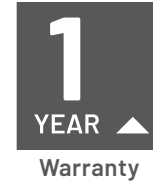
MODEL FPUS1860A



1/3 HP

## UNDERSINK UTILITY PUMP

- Compact undersink system for tight-fitting areas
- Ideal for basement wet bars, laundry and utility sinks
- Quiet, trouble-free, automatic operation
- Easy to install – designed to be used with a sink where gravity drain line is not available
- Includes pump assembly, 1-1/4" check valve, discharge 1-1/4" in size & strainer cup



### PERFORMANCE

Model	HP	Discharge Height Above Pumping Level (GPH)				Max. Lift	Inlet	Discharge	Solids Handling	Switch Type	Cord Length
		0	4'	8'	12'						
FPUS1860A	1/3	2,400	2,040	1,320	240	14'	1-1/2" FNPT	1-1/4" FNPT	1/8"	Manual	8'

### ORDERING INFORMATION

Model	UPC	Carton (L x W x H)	Cube (FT)	Pallet Qty.	Weight
FPUS1860A	0 22315 32709 2	10.4" x 9.4" x 13.6"	.769	60	15.3 lbs.

# UTILITY PUMPS

MODEL FP5112

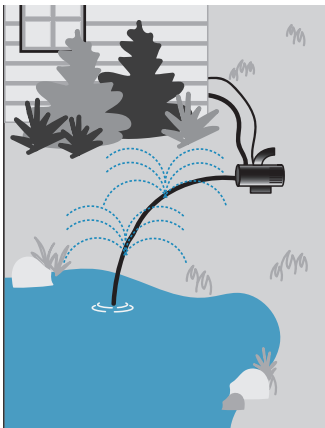


1/2 HP

## UTILITY PUMP

- Water transfer/pressure booster used as a temporary water transfer, pressure booster or portable sprinkler pump
- Thermoplastic construction for the highest corrosion-resistance
- Increase water pressure for washing vehicles, equipment, sprinkling and more
- Sprinkler pump operation transfer surface water from natural sources for landscape irrigation

**1**  
YEAR ▲  
Warranty



### PERFORMANCE

Model	HP	Discharge Height Above Pumping Level (GPM)						Max. Lift	Discharge	Suction Size	Max. Pressure	Switch Type	Cord Length
		0'	5'	10'	15'	20'	25'						
FP5112	1/2	10.3	6.1	5.1	4.2	3.9	3.0	26'	1" MNPT	1" MNPT	62psi	Manual	6'

### ORDERING INFORMATION

Model	UPC	Carton (L x W x H)	Cube (FT)	Pallet Qty.	Weight
FP5112	0 22315 13831 5	8.5" x 14.5" x 11.2"	.79	30	16.8 lbs.

# UTILITY PUMPS

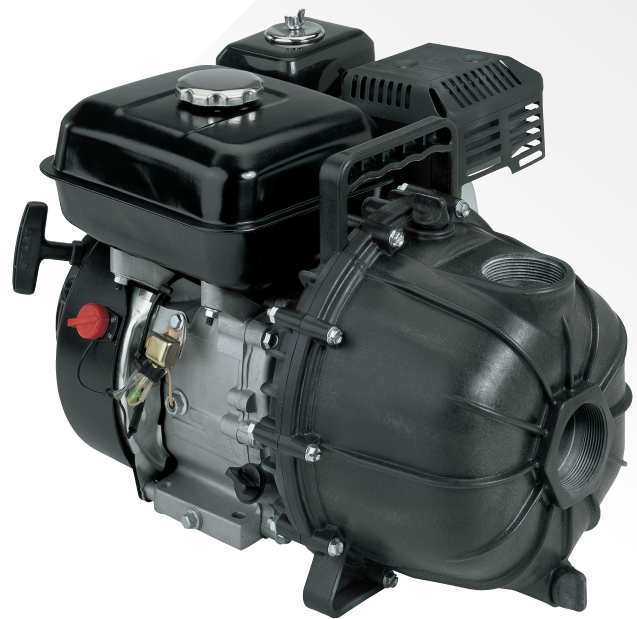
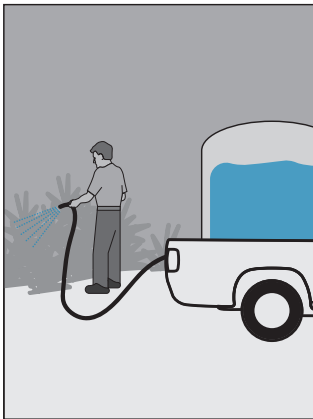
MODEL FP5455



## 6.5 HP GAS ENGINE PUMP

- Easy portability – compact construction for water transfers in remote locations
- Corrosion-resistant construction maximizes pump life
- Manual throttle, choke, fuel valve and engine shut-off controls
- Base mounting holes allow for permanent mount
- Built-in check valve
- Automatic safety cut-off when engine oil level is low
- Self-priming after pump housing is initially filled

**1**  
YEAR ▲  
Warranty



### PERFORMANCE

Model	HP	Distance to Pump Above Water	GPH at Discharge Pressure in PSI					Max PSI	Suction	Discharge
			15'	25'	35'	45'	50'			
FP5455	6-1/2	0 ft.	-	135	106	72	49	59	2" FNPT	2" FNPT
		5 ft.	144	132	96	63	40	57		
		10 ft.	142	124	92	52	35	55		
		15 ft.	139	117	84	42	22	52		
		20 ft.	136	110	78	36	4	50		
		25 ft.	133	103	68	28	-	40		

### ORDERING INFORMATION

Model	UPC	Carton (L x W x H)	Cube (FT)	Pallet Qty.	Weight
FP5455	0 22315 31394 1	21" x 14.5" x 18"	3.171	12	48.9 lbs.



# HOME WATER SYSTEMS

Pentair Flotec provides premium, worry-free solutions that instill confidence and enable delivery of life's essential resource through our lineup of home water systems designed to fit all your residential water needs. For the homeowner looking to upkeep curb appeal, we offer a selection of products to support lawn irrigation or other home applications that require moving large volumes of water. In rural areas where city water isn't available, well pumps are used to pump water from below the ground. Tanks are used to store the water, which can extend the life of a pump by reducing the number of times your pump must cycle to supply water to your home and maintains water pressure throughout the home. So whether you are replacing an existing well system or installing a new one, you can rely on Flotec to keep your water flowing where and when you need it.

Jet Pumps are above ground pumps designed to produce a large amount of pressure to pull water from a water source, such as a well or cistern, into your home.

4" Submersible Well Pumps are submerged underground and are designed to push water from a water source, such as a well or cistern, into your home.

Sprinkler Pumps are designed to move water from a water source to a system that disperses water to various locations such as a lawn sprinkler system. Our solutions support sprinkler systems that have single/multiple zones with more than 2-3 heads per zone, requiring greater than 20 gallons per minute. Our corrosion-resistant sprinkler pumps are constructed of rugged, heavy-duty fiberglass reinforced thermoplastic or rugged cast iron to stand up to seasonal changes.

Centrifugal Pumps are economical, general purpose pumps can be used for water transfer, circulation, fountains, waterfalls, pressure boosting and sprinkling.

For assistance in selecting the right pump for your needs call Flotec Customer Service at 1-800-365-6832.

# HOME WATER SYSTEMS

MODELS FP4155, FP4157, FP4150

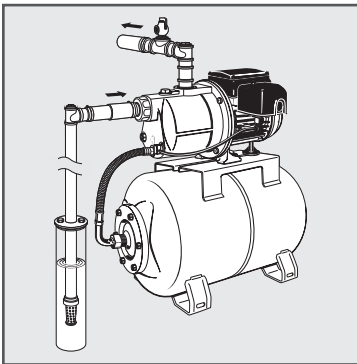
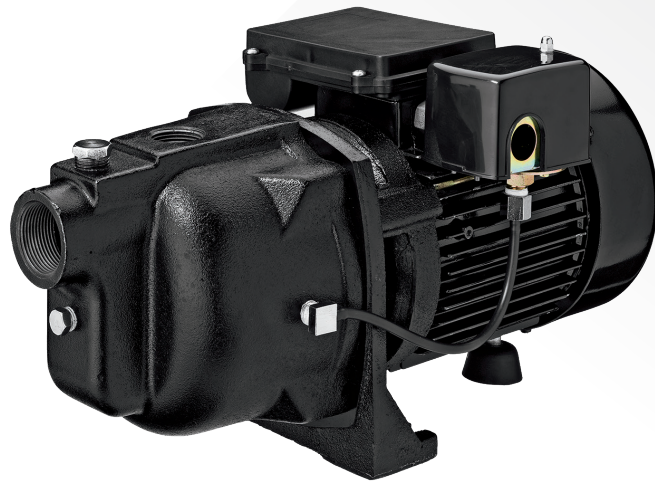


## SHALLOW WELL JET PUMPS

MODEL FP4155 1/2 HP  
MODEL FP4157 3/4 HP  
MODEL FP4150 1 HP

**1**  
YEAR ▲  
Warranty

- Reliable performance at depths of water 25' or less
- Rugged cast iron construction maximizes pump life
- Heavy-duty dual-voltage motor 1/2 HP preset at 115V; 3/4 HP and 1 HP are preset at 230V
- Pre-wired pressure switch preset for 30/50 PSI operation
- Self-priming after pump housing is initially filled.  
Check valve or foot valve required
- 1-1/4" FNPT suction, 1" FNPT discharge



### PERFORMANCE

Model	HP	Voltage	Full Load Amps	Pressure Switch		GPM Pumped at Different Depths to Water*						Max Pressure Shut-off
				On	Off	0'	5'	10'	15'	20'	25'	
FP4155	1/2	115/230	8.5/4.2	30	50	8.5	7.5	6.5	6.0	5.0	3.5	65 PSI
FP4157	3/4	115/230	11.0/5.5	30	50	19.0	16.0	14.0	13.0	11.0	7.0	67 PSI
FP4150	1	115/230	12.0/6.0	30	50	21.0	20.0	18.0	16.0	13.0	9.0	70 PSI

\*All performances shown in gallons per minute at 40 PSI (pound per square inch) discharge pressure at top of well.

### ORDERING INFORMATION

Model	UPC	Carton (L x W x H)	Cube (FT)	Pallet Qty.	Weight
FP4155	0 22315 36166 9	19" x 10.82" x 10.5"	1.249	48	38 lbs.
FP4157	0 22315 36167 6	19" x 10.82" x 10.5"	1.249	48	45 lbs.
FP4150	0 22315 36168 3	19" x 10.82" x 10.5"	1.249	48	53 lbs.

# HOME WATER SYSTEMS

MODEL FP4105

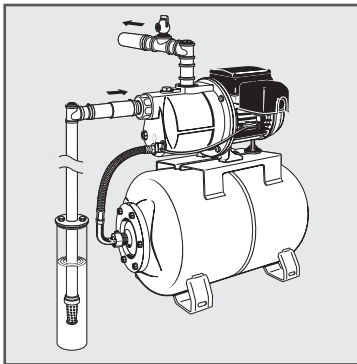


## SHALLOW WELL JET PUMPS

MODEL FP4105 1/2 HP

- Reliable performance at 25' depth of water or less
- Rugged cast iron construction
- Ready to install on 115 volt electrical circuit.
- Pressure switch pre-set to 30-50 PSI
- 1" NPT suction and discharge
- Self-priming capability after pump housing is initially filled, check valve or foot valve required

**1**  
YEAR ▲  
Warranty



### PERFORMANCE

Model	HP	Voltage	Full Load Amps	Pressure Switch		GPM Pumped at Different Depths to Water*						Max Pressure Shut-off
				On	Off	0'	5'	10'	15'	20'	25'	
FP4105	1/2	115	7.2	30	50	5.6	5.1	4.5	4.1	3.5	3.1	63 PSI

\*All performances shown in gallons per minute at 40 PSI (pound per square inch) discharge pressure at top of well.

### ORDERING INFORMATION

Model	UPC	Carton (L x W x H)	Cube (FT)	Pallet Qty.	Weight
FP4105	0 22315 17622 5	15.2" x 9.4" x 11.0"	.890	27	24.25 lbs.

# HOME WATER SYSTEMS

MODELS FP4012, FP4022, FP4032

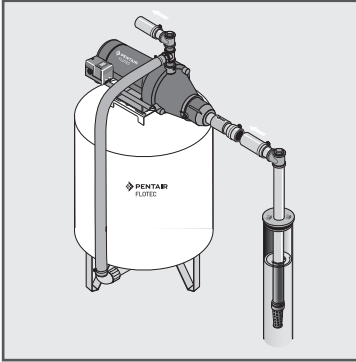


## SHALLOW WELL JET PUMPS

MODEL FP4012 1/2 HP  
MODEL FP4022 3/4 HP  
MODEL FP4032 1 HP



- Superior performance at depths of water 25' or less
- Fiberglass reinforced thermoplastic pump housing for the highest corrosion resistance
- 1/2 HP ready-to-install heavy-duty dual-voltage motor preset at 115V, 3/4 and 1 HP ready to install heavy-duty dual voltage motor pre-set at 230V
- Self-priming after pump housing is initially filled
- 1-1/4" NPT suction and 1" NPT discharge pipe size



### PERFORMANCE

Model	HP	Voltage	Full Load Amps	Pressure Switch		GPM Pumped at Different Depths to Water*						Max Pressure Shut-off
				On	Off	0'	5'	10'	15'	20'	25'	
FP4012	1/2	115/230	9.9/4.95	30	50	8	7.4	6.4	6.1	5.1	4.0	77 PSI
FP4022	3/4	115/230	12.4/6.2	30	50	12	10.3	9.7	8.2	7.1	5.1	78 PSI
FP4032	1	115/230	14.8/7.4	30	50	18	16.4	16.1	14.1	12.0	8.1	67 PSI

\*All performances shown in gallons per minute at 40 PSI (pound per square inch) discharge pressure at top of well.

### ORDERING INFORMATION

Model	UPC	Carton (L x W x H)	Cube (FT)	Pallet Qty.	Weight
FP4012	0 22315 10057 2	22.813" x 11.063" x 10.5"	1.534	24	23 lbs.
FP4022	0 22315 10058 9	22.813" x 11.063" x 10.5"	1.534	24	26.9 lbs.
FP4032	0 22315 31515 0	22.813" x 11.063" x 10.5"	1.534	24	29.15 lbs.

# HOME WATER SYSTEMS

MODELS FP4112, FP4122

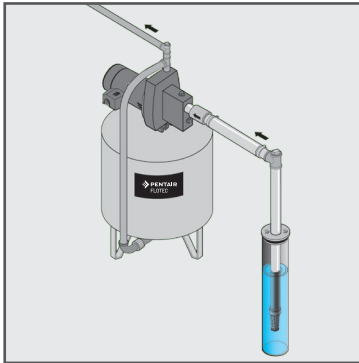


## SHALLOW WELL JET PUMPS

MODEL FP4112 1/2 HP  
MODEL FP4122 3/4 HP



- Superior performance at depths of water of 25' or less
- Rugged cast iron construction maximizes pump life
- Self-priming after pump housing is initially filled
- 1-1/4" NPT suction and 1" NPT discharge pipe size



### PERFORMANCE

Model	HP	Voltage	Full Load Amps	Pressure Switch		GPM Pumped at Different Depths to Water*						Max Pressure Shut-off
				On	Off	0'	5'	10'	15'	20'	25'	
FP4112	1/2	115/230	9.9/4.95	30	50	8.8	8.5	7.8	6.8	5.6	4.6	69 PSI
FP4122	3/4	115/230	12.4/6.2	30	50	14.7	14.4	12.8	11.8	9.4	7.3	70 PSI

\*All performances shown in gallons per minute at 40 PSI (pound per square inch) discharge pressure at top of well.

### ORDERING INFORMATION

Model	UPC	Carton (L x W x H)	Cube (FT)	Pallet Qty.	Weight
FP4112	0 22315 10060 2	21.5" x 13.44" x 10.33"	1.727	24	41 lbs.
FP4122	0 22315 10061 9	21.5" x 13.44" x 10.33"	1.727	24	43.3 lbs.

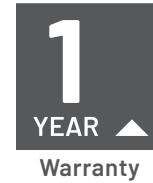
# HOME WATER SYSTEMS

MODELS FP4822, FP4832



## SHALLOW WELL JET PUMP

MODEL FP4822 3/4 HP  
MODEL FP4832 1 HP



- Rugged stainless steel construction for highest corrosion resistance
- Superior performance at depths of water 25' or less
- Heavy-duty dual-voltage motor preset at 230V
- Self-priming after pump housing is initially filled, check valve or foot valve required
- Pre-wired pressure switch preset for 30-50 PSI operation
- 1-1/4" NPT suction and 1" discharge



### PERFORMANCE- SHALLOW WELL OF 25 FEET OR LESS

Model	HP	Voltage	Full Load Amps	Pressure Switch		GPM Pumped at Different Depths to Water*						Max Pressure Shut-off
				On	Off	0'	5'	10'	15'	20'	25'	
FP4822	3/4	115/230	14.8/7.4	30	50	11	11	11	11	9	7	64 PSI
FP4832	1	115/230	19.2/9.6	30	50	17.5	16	14.5	12.5	10.5	7.5	81 PSI

\*All performances shown in gallons per minute at 40 PSI (pound per square inch) discharge pressure at top of well.

### ORDERING INFORMATION

Model	UPC	Carton (L x W x H)	Cube (FT)	Pallet Qty.	Weight
FP4832	0 22315 16061 3	21.313" x 11.313" x 12.625"	1.762	18	33.75 lbs.
FP4832	0 22315 16061 3	21.313" x 11.313" x 12.625"	1.762	18	33.75 lbs.

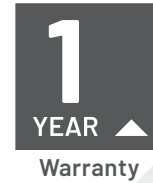
# HOME WATER SYSTEMS

MODELS FP4205, FP4207, FP4210

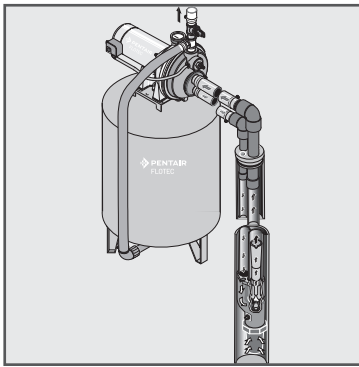


## CONVERTIBLE JET PUMPS

MODEL FP4205 1/2 HP  
MODEL FP4207 3/4 HP  
MODEL FP4210 1 HP



- Superior performance at depths of water 70' or less
- Rugged cast iron construction
- Ready-to-install, heavy-duty, dual-voltage motor 1/2 HP preset at 115V; 3/4 and 1 HP models preset at 230V
- Self-priming after pump housing is initially filled, check valve or foot valve required
- Pre-wired pressure switch preset for 30-50 PSI operation
- 1" discharge, 1-1/4" suction, 1" drive



### PERFORMANCE – SHALLOW WELL OF 25 FEET OR LESS

Model	HP	Voltage	Full Load Amps	Pressure Switch		GPM Pumped at Different Depths to Water*					Max Pressure Shut-off
				On	Off	0'	5'	10'	15'	20'	
FP4205	1/2	115/230	7.0/3.5	30	50	10	9.5	9.0	8.0	6.5	54 PSI
FP4207	3/4	115/230	11.0/5.5	30	50	16	14.5	13.5	12	10	70 PSI
FP4210	1	115/230	11.0/5.5	30	50	17	15	13.5	12.5	10	70 PSI

### PERFORMANCE – DEEP WELL WITH 4" DIAMETER CASING OR LARGER

Model	GPM Pumped at Different Depths to Water*					Max Pressure Shut-off
	30'	40'	50'	60'	70'	
FP4205	3.5	3.0	2.5	2.0	1.0	65 PSI
FP4207	7.0	6.0	4.5	3.5	2.5	65 PSI
FP4210	10.0	8.0	6.0	4.5	3.0	65 PSI

\*All performances shown in gallons per minute at 40 PSI (pound per square inch) discharge pressure at top of well.

### ORDERING INFORMATION

Model	UPC	Carton (L x W x H)	Cube (FT)	Pallet Qty.	Weight
FP4205	0 22315 36169 0	17.32" x 13.34" x 10.45"	1.397	48	21 lbs.
FP4207	0 22315 36303 8	17.32" x 13.34" x 10.45"	1.397	48	21 lbs.
FP4210	0 22315 36170 6	17.32" x 13.34" x 10.45"	1.397	48	24 lbs.

# HOME WATER SYSTEMS

MODELS FP4212, FP4222



## CONVERTIBLE JET PUMPS

MODEL FP4212 1/2 HP  
MODEL FP4222 3/4 HP



- Rugged pump housing with durable cast iron construction
- Superior performance at depths to water of 100' or less (jet kit sold separately)
- Heavy-duty dual-voltage motor
- Pre-wired pressure switch
- Self-priming after pump housing is initially filled. Foot valve included with Jet Kit, sold separately.
- Included pressure regulator
- Jet Kit sold separately (FP4800)



### PERFORMANCE- DEEP WELL WITH 4" CASING OR LARGER

Model	HP	Voltage	Full Load Amps	GPH at 40 PSI Pumped at Different Depths to Water <sup>^</sup>												Max Pressure Shut-off
				5'	10'	15'	20'	30'	40'	50'	60'	70'	80'	90'	100'	
FP4212	1/2	230/115	9.9/4.95	-	-	-	5.9	4.5	3.5	2.8	2.3	1.7	-	-	-	54 PSI
FP4222	3/4	230/115	12.4/6.2	-	-	-	7.5	6.5	5.1	4.0	3.0	2.5	1.8	1.5	1.0	56 PSI

### PERFORMANCE- DEEP WELL WITH 2" CASING

Model	HP	Voltage	GPH at 40 PSI Pumped at Different Depths to Water <sup>^</sup>												Max Pressure Shut-off
			5'	10'	15'	20'	30'	40'	50'	60'	70'	80'	90'	100'	
FP4212	1/2	230/115	-	-	-	5.3	4.3	3.0	2.5	1.9	1.5	1.1	-	-	54 PSI
FP4222	3/4	230/115	-	-	-	6.8	6.2	4.8	3.7	2.6	2.1	1.5	1.2	0.8	53 PSI

### PERFORMANCE- SHALLOW WELL WITH SINGLE PIPE

Model	HP	Voltage	GPH at 40 PSI Pumped at Different Depths to Water <sup>^</sup>												Max Pressure Shut-off
			5'	10'	15'	20'	30'	40'	50'	60'	70'	80'	90'	100'	
FP4212	1/2	230/115	7.9	7.1	6.3	5.4	-	-	-	-	-	-	-	-	60 PSI
FP4222	3/4	230/115	11.9	10.8	9.5	7.5	-	-	-	-	-	-	-	-	63 PSI

### ORDERING INFORMATION

Model	UPC	Carton (L x W x H)	Cube (FT)	Pallet Qty.	Weight
FP4212	0 22315 10063 3	17.32" x 13.34" x 10.45"	1.397	48	21 lbs.
FP4222	0 22315 10064 0	17.32" x 13.34" x 10.45"	1.397	48	24 lbs.

# HOME WATER SYSTEMS

MODELS FP4312, FP4322, FP4332

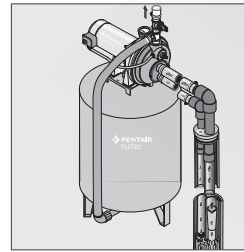


## CONVERTIBLE JET PUMPS

MODEL FP4312 1/2 HP  
MODEL FP4322 3/4 HP  
MODEL FP4332 1 HP



- Superior performance at depths of water 100' or less
- Fiberglass reinforced thermoplastic pump housing for highest corrosion resistance
- Ready-to-install heavy-duty dual-voltage motor. Preset at 115V for 1/2 HP model and preset at 230V for 3/4 and 1 HP models.
- Self-priming after pump housing is initially filled, check valve or foot valve required
- Pressure switch preset to 30-50 PSI
- 1" discharge, 1-1/4" suction, 1" drive
- Jet Kit sold separately (FP4875-P2)



### PERFORMANCE - SHALLOW WELL OF 25 FEET OR LESS

Model	HP	Voltage	Full Load Amps	Pressure Switch		GPM Pumped at Different Depths to Water*					Max Pressure Shut-off
				On	Off	5'	10'	15'	20'	30'	
FP4312	1/2	115/230	9.9/4.95	30	50	9.0	7.8	6.6	5.7	4.3	62 PSI
FP4322	3/4	115/230	12.4/6.2	30	50	15.3	13.8	11.8	9.2	6.8	52 PSI
FP4332	1	115/230	14.8/7.4	30	50	20.7	18.3	15.8	12.3	8.5	52 PSI

FP4875 Shallow Well Jet Kit Sold Separately

### PERFORMANCE - DEEP WELL WITH 4" DIAMETER CASING OR LARGER

Model	GPM Pumped at Different Depths to Water*										Max Pressure Shut-off
	20'	30'	40'	50'	60'	70'	80'	90'	100'	110'	
FP4312	5.9	4.5	3.5	2.8	2.3	1.7	-	-	-	-	54 PSI
FP4322	7.5	6.5	5.1	4.0	3.0	2.5	1.8	1.5	1.0	-	56 PSI
FP4332	9.0	8.4	6.7	5.6	4.4	3.5	3.0	2.5	2.0	-	56 PSI

\*All performances shown in gallons per minute at 40 PSI (pound per square inch) discharge pressure at top of well. FP4800 jet kit sold separately.

### PERFORMANCE - DEEP WELL WITH 2" DIAMETER CASING

Model	GPM Pumped at Different Depths to Water*										Max Pressure Shut-off
	20'	30'	40'	50'	60'	70'	80'	90'	100'	110'	
FP4312	5.3	4.3	3.4	2.5	1.9	1.5	-	-	-	-	54 PSI
FP4322	6.8	6.2	4.8	3.7	2.6	2.1	1.5	1.2	0.8	-	53 PSI
FP4332	8.4	7.8	6.7	5.6	4.4	3.5	3.0	2.5	2.0	1.4	62 PSI

\*All performances shown in gallons per minute at 40 PSI (pound per square inch) discharge pressure at top of well. FP4800 jet kit sold separately.

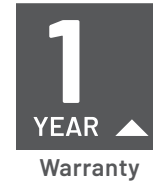
### ORDERING INFORMATION

Model	UPC	Carton (L x W x H)	Cube (FT)	Pallet Qty.	Weight
FP4312	0 22315 10066 4	20.94" x 12.31" x 12.19"	?	24	54 lbs.
FP4322	0 22315 10067 1	20.94" x 12.31" x 12.19"	?	24	27.7 lbs.
FP4332	0 22315 10068 8	20.94" x 12.31" x 12.19"	?	24	30.35 lbs.

## JET PUMP

### MODEL FP4432 1 HP

- Rugged housing with durable cast iron construction
- Superior performance at depths to water of 260'
- Preset at 230V
- Prewired factory-set 40/60 Pressure Switch
- Jet Kit sold separately



#### PERFORMANCE- DEEP WELL WITH 4" CASING OR LARGER

Model	HP	Voltage	Full Load Amps	Discharge	Suction	Drive	GPM Pumped at Different Depths to Water*																
							30'	40'	50'	60'	70'	80'	90'	100'	110'	120'	130'	140'	180'	200'	220'	240'	260'
FP4432	1/2	115/230	13.2/6.6	1"	1-1/4"	1"	12.0	11.5	11.0	10.4	9.6	8.8	7.4	6.1	5.0	4.9	4.7	4.5	2.9	2.3	1.7	1.2	0.8

\*All performances shown in gallons per minute at 40 PSI (pound per square inch) discharge pressure at top of well.

#### PERFORMANCE- DEEP WELL WITH 2" CASING

Model	HP	Voltage	Full Load Amps	Discharge	Suction	Drive	GPM Pumped at Different Depths to Water*																
							30'	40'	50'	60'	70'	80'	90'	100'	110'	120'	130'	140'	180'	200'	220'	240'	260'
FP4432	1/2	115/230	13.2/6.6	1"	1-1/4"	1"	12.0	11.2	10.7	9.4	8.3	7.3	6.3	5.0	5.0	4.9	4.3	4.2	1.8	-	-	-	-

\*All performances shown in gallons per minute at 40 PSI (pound per square inch) discharge pressure at top of well.

#### ORDERING INFORMATION

Model	UPC	Carton (L x W x H)	Cube (FT)	Pallet Qty.	Weight
FP4432	0 22315 20079 1	11.88" x 15.38" x 26.63"	2.816	18	73.2 lbs.

## CAST IRON HIGH PRESSURE BOOSTER PUMPS

MODEL FP5712 1/2 HP  
MODEL FP5722 3/4 HP  
MODEL FP5732 1 HP

**1**  
YEAR  
Warranty

- For residential, commercial or agricultural high pressure washing
- Ideal for when you need to boost your existing pressure by 50 to 130 PSI
- Stainless steel motor shaft includes heavy-duty ball bearings, on-board thermal overload protection and rated for continuous duty
- Heavy-duty cast iron pump adapter and discharge



### PERFORMANCE

Model	HP	Voltage	Max. Pressure Shutoff	Discharge Pressure (PSI)					Suction	Discharge
				50	70	90	110	130		
FP5712	1/2	230/115	110	13	11	7	-	-	3/4"	3/4"
FP5722	3/4	230/115	150	-	13	10	8	-	3/4"	3/4"
FP5732	1	230/115	190	-	-	13	12	10.5	3/4"	3/4"

### ORDERING INFORMATION

Model	UPC	Carton (L x W x H)	Cube (FT)	Pallet Qty.	Weight
FP5712	0 22315 16575 5	30.063" x 9.188" x 12.563"	2.008	18	38.9 lbs.
FP5722	0 22315 16576 2	30.063" x 9.188" x 12.563"	2.008	18	42.9 lbs.
FP5732	0 22315 16577 9	30.063" x 9.188" x 12.563"	2.008	18	48 lbs.

# HOME WATER SYSTEMS

MODELS FP5512, FP5522, FP5532, FP5542, FP5552



## CAST IRON CENTRIFUGAL PUMPS

- MODEL FP5512 1/2 HP
- MODEL FP5522 3/4 HP
- MODEL FP5532 1 HP
- MODEL FP5542 1-1/2 HP
- MODEL FP5552 2 HP



- High-output performance
- Rugged pump housing with durable cast iron construction
- Superior performance at depths to water of 25' or less
- Heavy-duty dual voltage motor



### PERFORMANCE

Model	HP	Voltage	DISCHARGE PRESSURE (PSI)					Max Pressure Shut-off	NPT Pipe Size	
			25	30	35	40	45		Suction	Discharge
FP5512	1/2	230/115	22	13	2	-	-	36	1-1/4"	1"
FP5522	3/4	230/115	31	25	21	13	-	43	1-1/4"	1"
FP5532	1	230/115	47	40	35	29	17	49	1-1/4"	1"
FP5542	1-1/2	230/115	59	52	47	40	30	51	1-1/4"	1"
FP5552	2	230/115	68	62	54	48	38	57	1-1/4"	1"

### ORDERING INFORMATION

Model	UPC	Carton (L x W x H)	Cube (FT)	Pallet Qty.	Weight
FP5512	0 22315 13592 5	19.813" x 10.063" x 10.818"	1.248	32	30.10 lbs.
FP5522	0 22315 13593 2	19.813" x 10.063" x 10.818"	1.248	32	32.15 lbs.
FP5532	0 22315 13594 9	19.813" x 10.063" x 10.818"	1.248	40	41.2 lbs.
FP5542	0 22315 13595 6	19.813" x 10.063" x 10.818"	1.248	40	69 lbs.
FP5552	0 22315 13596 3	19.813" x 10.063" x 10.818"	1.248	40	74 lbs.

# HOME WATER SYSTEMS

MODELS FP2211, FP2212, FP2222, FP2232

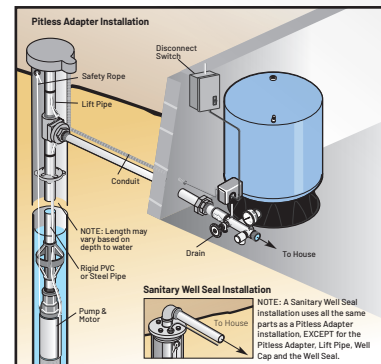
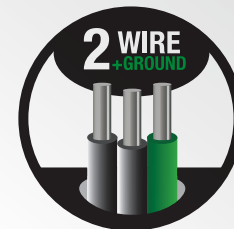


## 2-WIRE 4" SUBMERSIBLE WELL PUMPS

MODEL FP2211	115 VOLT	1/2 HP	10 GPM
MODEL FP2212	230 VOLT	1/2 HP	10 GPM
MODEL FP2222	230 VOLT	3/4 HP	10 GPM
MODEL FP2232	230 VOLT	1 HP	10 GPM



- High-capacity heavy-duty design. High-impact discharge head and base. Strong stainless-steel shell on pump end and motor.
- 10 GPM-rated models for maximum efficiency in most homes
- 1-1/4" corrosion-resistant thermoplastic discharge head outlives conventional metals, even in the harshest environments
- Built-in check valve to prevent back flow
- NEMA-standard motor
- Complete installation instructions included
- All units are built with a green ground wire per National Electric Code specifications for ground protection
- Fits inside most 4" and larger openings



### PERFORMANCE

Model	HP	GPM	Voltage	GPM Pumped at Different Depths to Water*									
				20'	40'	60'	80'	100'	150'	200'	250'	300'	
FP2211	1/2	10	115	13.2	12.2	10.9	9.6	8.1	2	-	-	-	
FP2212	1/2	10	230	13.2	12.2	10.9	9.6	8.1	2	-	-	-	
FP2222	3/4	10	230	14.8	14.2	13.4	12.6	11.7	8.8	5.2	-	-	
FP2232	1	10	230	-	-	14.7	14	13.4	11.7	9.7	7.3	4.4	

\*All performances shown in gallons per minute at 40 PSI (pound per square inch) discharge pressure at top of well.

■ Optimal pump performance

### ORDERING INFORMATION

Model	UPC	Carton (L x W x H)	Cube (FT)	Pallet Qty.	Weight
FP2211	0 22315 15578 7	4.8" x 4.8" x 34"	.453	40	21 lbs.
FP2212	0 22315 10080 0	4.8" x 4.8" x 33"	.453	40	21 lbs.
FP2222	0 22315 10081 7	4" x 4.8" x 34.3"	.381	40	24 lbs.
FP2232	0 22315 10082 4	4.6" x 5" x 29"	.386	40	27 lbs.

# HOME WATER SYSTEMS

MODELS FP3212, FP3222, FP3232, FP3332, FP3242, FP3342

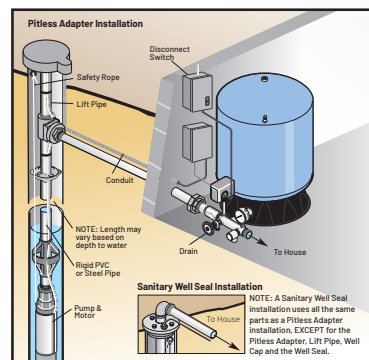


## 3-WIRE 4" SUBMERSIBLE WELL PUMPS

MODEL FP3212	230 VOLT	1/2 HP	10 GPM
MODEL FP3222	230 VOLT	3/4 HP	10 GPM
MODEL FP3232	230 VOLT	1 HP	10 GPM
MODEL FP3332	230 VOLT	1 HP	20 GPM
MODEL FP3242	230 VOLT	1-1/2 HP	10 GPM
MODEL FP3342	230 VOLT	1-1/2 HP	20 GPM



- High-capacity heavy-duty design. High-impact discharge head and base. Strong stainless-steel shell on pump end and motor.
- 10 GPM-rated models for maximum efficiency in most homes
- 20 GPM-rated model – perfect for ranches and irrigation
- 1-1/4" corrosion-resistant thermoplastic discharge head outlives conventional metals, even in the harshest environments
- Built-in check valve to prevent back flow
- NEMA-standard motor
- Complete installation instructions included
- All units are built with a green ground wire per National Electric Code specifications for ground protection
- Fits inside most 4" and larger openings
- 3-wire pumps must be used with the correct control box (included); use of other manufacturer's control box can shorten life of pump and will void the warranty



### PERFORMANCE

Model	HP	GPM	Voltage	Full Load Amps	GPM Pumped at Different Depths to Water										
					20'	40'	60'	80'	100'	150'	200'	250'	300'	350'	400'
FP3212	1/2	10	230	5.0	13.2	12.2	10.9	9.6	8.1	2	-	-	-	-	-
FP3222	3/4	10	230	6.6	14.8	14.2	13.4	12.6	11.7	8.8	5.2	-	-	-	-
FP3232	1	10	230	9.2	-	-	14.7	14	13.4	11.7	9.7	7.3	4.4	-	-
FP3242	1-1/2	10	230	11.3	-	-	-	-	14.9	13.8	12.5	11.2	10.4	7.9	5.8
FP3332	1	20	230	9.2	27	24.5	22.0	19.4	16.8	2.6	-	-	-	-	-
FP3342	1-1/2	20	230	11.3	-	-	26.2	24.3	22.3	17.3	8	-	-	-	-

\*All performances shown in gallons per minute at 40 PSI (pound per square inch) discharge pressure at top of well.

■ Optimal pump performance

### ORDERING INFORMATION

Model	UPC	Carton (L x W x H)	Cube (FT)	Pallet Qty.	Weight
FP3212	0 22315 10194 4	21" x 12.5" x 12.3"	1.868	21	25 lbs.
FP3222	0 22315 10195 1	6" x 4.6" x 40"	.638	21	28 lbs.
FP3232	0 22315 10196 8	6" x 4.6" x 40"	.638	21	31 lbs.
FP3332	0 22315 10197 5	5" x 4.5" x 43.5"	.566	21	30 lbs.

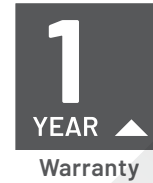
# HOME WATER SYSTEMS

MODELS FP5242, FP5252



## CAST IRON SPRINKLER PUMPS

MODEL FP5242 1-1/2 HP  
MODEL FP5252 2 HP



- Rugged pump housing with cast iron construction
- Superior performance at depths to water of 25' or less
- High capacity ideal for larger sprinkler zones or water transfer
- Heavy-duty dual-voltage motor preset at 230V
- Self-priming capability after pump housing is initially filled, check valve or foot valve required
- Drain port provided for convenient winterizing



### PERFORMANCE

Model	HP	Voltage	GPM	Full Load Amps	Distance of Pump Above Water	Discharge Pressure (PSI)							Suction	Discharge
						20'	25'	30'	35'	40'	45'	50'		
FP5242	1-1/2	230/115	55	19.2/9.6	5'	55	50	45	28	31	20	-	2"	1-1/2"
					10'	53	47	42	34	27	16	-		
					15'	51	45	39	30	22	-	-		
					20'	49	42	36	27	18	-	-		
					25'	46	39	32	22	12	-	-		
FP5252	2	230	64	12	5'	64	58	53	45	38	28	19	2"	2"
					10'	62	56	50	42	35	24	13		
					15'	59	53	47	39	31	20	-		
					20'	57	50	44	35	26	-	-		
					25'	51	44	38	30	20	-	-		

### ORDERING INFORMATION

Model	UPC	Carton (L x W x H)	Cube (FT)	Pallet Qty.	Weight
FP5242	0 22315 16279 2	24.063" x 17.938" x 13.563"	3.138	12	71.4 lbs.
FP5252	0 22315 16280 8	24.063" x 17.938" x 13.563"	3.138	12	86.2 lbs.

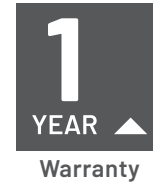
# HOME WATER SYSTEMS

MODELS FP5162, FP5172, FP5182

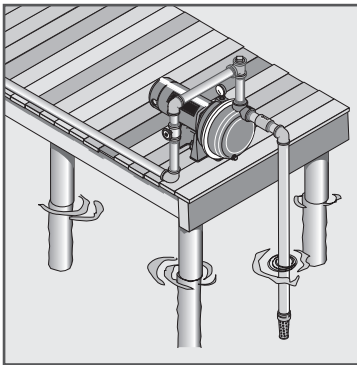


## SPRINKLER PUMPS

MODEL FP5162 1 HP  
 MODEL FP5172 1-1/2 HP  
 MODEL FP5182 2 HP



- Superior performance at depths of water 20' or less
- Fiberglass reinforced thermoplastic pump housing for highest corrosion resistance
- Heavy-duty dual-voltage motor preset at 230V
- Self-priming capability after pump housing is initially filled, check valve or foot valve required



### PERFORMANCE

Model	HP	Voltage	Full Load Amps	NPT Pipe Size		Distance of Pump Above Water	Discharge Pressure PSI									
				Suction	Discharge		10	15	20	25	30	35	40	45	50	
FP5162	1	230/115	14.8/7.4	1-1/2"	1-1/2"	5 ft.	55	51	45	38	31	23	17	-	-	
						10 ft.	49	46	42	35	28	19	13	-	-	
						15 ft.	48	45	39	32	24	16	8	-	-	
						20 ft.	45	44	37	29	20	11	-	-	-	
FP5172	1-1/2	115/230	19.9/9.95	1-1/2"	1-1/2"	5 ft.	67	66	61	55	48	39	33	18	-	
						10 ft.	61	58	56	52	45	37	27	14	-	
						15 ft.	56	55	54	51	44	34	20	8	-	
						20 ft.	46	45	44	43	37	28	11	-	-	
FP5182	2	115/230	24.0/12.0	2"	2"	5 ft.	69	64	59	53	47	40	34	24	14	
						10 ft.	67	62	56	50	45	38	30	18	7	
						15 ft.	65	60	54	48	42	35	27	13	-	
						20 ft.	62	57	52	46	40	32	23	10	-	

### ORDERING INFORMATION

Model	UPC	Carton (L x W x H)	Cube (FT)	Pallet Qty.	Weight
FP5162	0 22315 10070 1	21.813" x 12.313" x 13.125"	2.040	24	30.6 lbs.
FP5172	0 22315 10071 8	21.813" x 12.313" x 13.125"	2.040	24	34.1 lbs.
FP5182	0 22315 10072 5	21.563" x 12.813" x 15.375"	2.458	18	42 lbs.



# ACCESSORIES

Discover which Accessories can improve the performance of your Pentair Products.

For assistance in selecting the right accessory for your needs, call Pentair Flotec Customer Service at 800-365-6832.

## SUMP PUMP

### DISCHARGE HOSE KIT

FP0012-6U



#### UNIVERSAL, FITS 1-1/4" OR 1-1/2"

- ◆ 24' x 1-1/4" flexible drain tubing
- ◆ 1-1/4" and 1-1/2" high-impact NPT barbed adapters
- ◆ For use with pedestal and submersible sump pumps
- ◆ Ready-to-install for permanent or emergency use
- ◆ Hose clamp included

### 18" SUMP BASIN & LID

FPW73-19



#### BASIN

- ◆ Rugged structural foam construction
- ◆ 18" diameter, 22" depth, 20-gallon capacity

#### BASIN LID

- ◆ Rugged structural foam construction
- ◆ For use with Sump Basin FPW73-19 (sold separately)

### CHECK VALVES

FP0026-6D



#### THREADED 1-1/4" OR 1-1/2"

- ◆ Prevents water backflow into sump basin
- ◆ Accepts 1", 1-1/4" and 1-1/2" discharge pipe
- ◆ Anti-airlock hole located at base of threads

FP0026-10



#### IN-LINE 1-1/4" OR 1-1/2"

- ◆ Prevents water backflow into sump basin
- ◆ Fits all 1-1/4" or 1-1/2" discharge lines
- ◆ Corrosion-resistant construction

### FLOAT SWITCHES

FP18-15BD



#### TETHERED

- ◆ Replaces most standard float switches
- ◆ Ideal for 14" diameter or larger sump basins
- ◆ Piggyback-style plug with 10' cord
- ◆ Mounting strap included

FPS17-66



#### VERTICAL

- ◆ Ideal for narrow basins - 10" diameter or larger
- ◆ Piggyback-style plug with 10' cord
- ◆ Adjustable on/off position
- ◆ Universal hardware fits discharge tubes to 2" diameter
- ◆ Fits pumps without Direct-Connect switches

FP0018-7D



#### PEDESTAL

- ◆ Direct top-mount switches
- ◆ Replaces most external pedestal float switches
- ◆ Corrosion-resistant construction

FPFS



#### DIRECT-CONNECT

- ◆ For pumps with 3-prong sealed connection
- ◆ Threaded switch

# ACCESSORIES

## SEWAGE PUMP

### SEWAGE CHECK VALVES

FP212-257



#### 2" IN-LINE

- ◆ Prevents water backflow into sewage basin
- ◆ Horizontal installation recommended
- ◆ Fits 2" discharge lines
- ◆ Corrosion-resistant construction

FPW212-4



#### 2" IN-LINE HEAVY-DUTY

- ◆ Quick, easy installation
- ◆ Horizontal installation recommended
- ◆ No hose clamps, cementing or threading necessary
- ◆ Full flow design will pass up to 2" solids
- ◆ Heavy-duty, corrosion-resistant PVC construction

### 18" SEWAGE BASIN & LID

FPW73-15



FPW73-17

#### BASIN

- ◆ Rugged structural foam construction
- ◆ 18" diameter, 30" depth, 30-gallon capacity

#### BASIN LID

- ◆ Rugged structural foam construction
- ◆ For use with Sewage Basin FPW73-15 or Sump Basin FPW73-19 (sold separately)
- ◆ Includes four lid bolts with washers
- ◆ 2" diameter discharge and vent pipe grommets
- ◆ Cord seal grommet
- ◆ Adhesive gasket to seal lid to basin
- ◆ 4" inlet grommet for basin

## UTILITY PUMP

### DRILL PUMP

FPDMP21SA



- ◆ Works with any drill (1200 RPM or higher)
- ◆ Perfect for emptying overflowing dishwashers, washing machines, aquariums, and clogged sinks
- ◆ Pumps up to 225 GPH
- ◆ Self-priming

### DRILL PUMP AND HOSE KIT

FPDMP21HC



- ◆ Works with any drill (1200 RPM or higher)
- ◆ Makes easy work out of changing oil in lawn mowers, boats, and cars
- ◆ Pumps up to 225 GPH
- ◆ Self-priming

### 2" REINFORCED SUCTION HOSE

FP2735



- ◆ Includes strainer, 2" male and female couplings
- ◆ For engine drive pumps
- ◆ 15', non-collapsible

### 2" HEAVY-DUTY DISCHARGE HOSE

FP2731



- ◆ Includes 2" male and female couplings
- ◆ For engine drive pumps

## JET PUMP

### PRESSURE SWITCHES

FP2040



#### 20/40 PSI

- ◆ For use in jet and submersible well pump systems
- ◆ Signals pump to start at 20 PSI and to stop at 40 PSI
- ◆ 1/4" NPT female fitting

TC2151



#### 30/50 PSI

- ◆ For use in jet and submersible well pump systems
- ◆ Signals pump to start at 30 PSI and to stop at 50 PSI
- ◆ 1/4" NPT female fitting

FP217-1140



#### 30/50 PSI WITH LOW-PRESSURE CUTOFF

- ◆ Low-pressure protection cuts off power to pump when pressure drops below 20 PSI
- ◆ For use in jet and submersible well pump systems
- ◆ Signals pump to start at 30 PSI and to stop at 50 PSI
- ◆ 1/4" NPT female fitting

TC2153



#### 40/60 PSI

- ◆ For use in jet and submersible well pump systems
- ◆ Signals pump to start at 40 PSI and to stop at 60 PSI
- ◆ 1/4" NPT female fitting

## PRESSURE RELIEF VALVE

TC2160



- ◆ Protects system from excessive pressure build-up
- ◆ Relieves pressure at 75 PSI
- ◆ For use in jet and submersible well pump systems
- ◆ 1/2" x 3/4"

## PRESSURE REGULATOR VALVE KIT

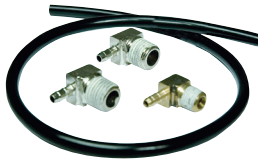
FPAPR



- ◆ Required for deep well jet pump applications
- ◆ Fits standard 1" discharge
- ◆ Corrosion-free construction
- ◆ Includes pressure switch connection kit

## PRESSURE SWITCH TUBING KIT

FPASFK



- ◆ Replaces tubing and fittings used between jet pump and pressure switch

## PRESSURE GAUGE

MGA1

TC2104



- ◆ Measures system water pressure
- ◆ Easy-to-read 2" display face
- ◆ Durable construction
- ◆ 1/4" NPT

## JET KITS

FP4875



### SHALLOW WELL

- ◆ Converts thermoplastic convertible jet pumps to shallow well applications up to 25' depth of water
- ◆ Corrosion-resistant, clamp-on design

For use with the following pump series:  
MPL, PL, 3300, 4300

FP4800



### 4" DOUBLE PIPE DEEP WELL

- ◆ Use with convertible jet pumps for 4" or larger deep well applications
- ◆ For applications up to 100' depth of water

For use with the following pump series:  
FL, HL, HMS, HNAS, MPL, MS, MVPH, PL, VNA2, 3300, 4200, 4400

FP4840



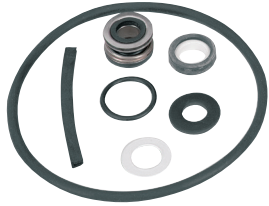
### 2" SINGLE PIPE DEEP WELL

- ◆ Use with convertible jet pumps for 2" deep well applications
- ◆ For applications up to 110' depth of water

For use with the following pump series:  
FL, HL, HMS, HNAS, MPL, MS, MVPH, PL, VNA2, 3300, 4200, 4300, 4400

## SEAL AND GASKET KITS

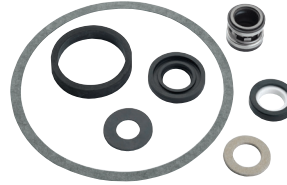
FPP1530



### SHALLOW WELL JET PUMPS

For use with the following pump series:  
5PN, MPN, PN, 3105, 3107, 4000 (-08)

FPP1550



### CONVERTIBLE AND SHALLOW WELL JET PUMPS

For use with the following pump series:  
5PN, MPN, PN, 2800, 2802, 4112, 4122, 4212, 4222

## JET PUMP OVERHAUL KITS

FPP1560



### CONVERTIBLE & SHALLOW WELL

For use with the following pump series:  
5SN, SN, 2800, 4112, 4212

FPP1561



### CONVERTIBLE & SHALLOW WELL

For use with the following pump series:  
7SL, SLD, 2802, 4122, 4222

FPP1511



### CONVERTIBLE

For use with the following pump series:  
5PL, MPLC, PLC, 3305P, 4312

FPP1520



### SHALLOW WELL

For use with the following pump series:  
5PN, MPN, PNC, 2508, 3105, 4012-08

FPP1521



### SHALLOW WELL

For use with the following pump series:  
7PN, MPND, PND, 3107, 4012-08

## TANK HOOK-UP KIT

FP8110



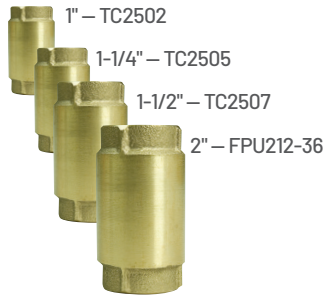
### SHALLOW WELL JET PUMPS

- ◆ For use in jet pump installations
- ◆ Simplifies hook-up between jet pump and tank

# ACCESSORIES

## WELL PUMP

### BRASS CHECK VALVES



- ◆ Prevents water backflow to water source
- ◆ Heavy-duty lead-free brass body
- ◆ Poppet-style valve with stainless steel spring
- ◆ Rated to 200 PSI

### BRASS FOOT VALVES



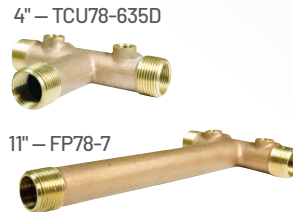
- ◆ Maintains water in suction line, prevents backflow to water source
- ◆ Lead-free brass body with stainless steel suction screen
- ◆ Poppet-style valve with stainless steel spring
- ◆ Rated to 200 PSI

### BRASS BARB FITTINGS



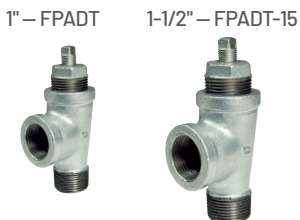
- ◆ Connects pump to polyethylene pipe
- ◆ Heavy-duty lead-free brass construction
- ◆ Use with hose clamps for pressures up to 150 PSI

### LEAD-FREE BRASS TANK TEES



- ◆ Includes multiple ports to accommodate pressure gauge, pressure relief valve, pressure switch and drain valve

### DISCHARGE TEES



- ◆ Rugged, galvanized construction
- ◆ Design allows for installation of pressure gauge
- ◆ For use with all pumps with 1" or 1-1/2" discharge tapping (excluding deep well submersible)

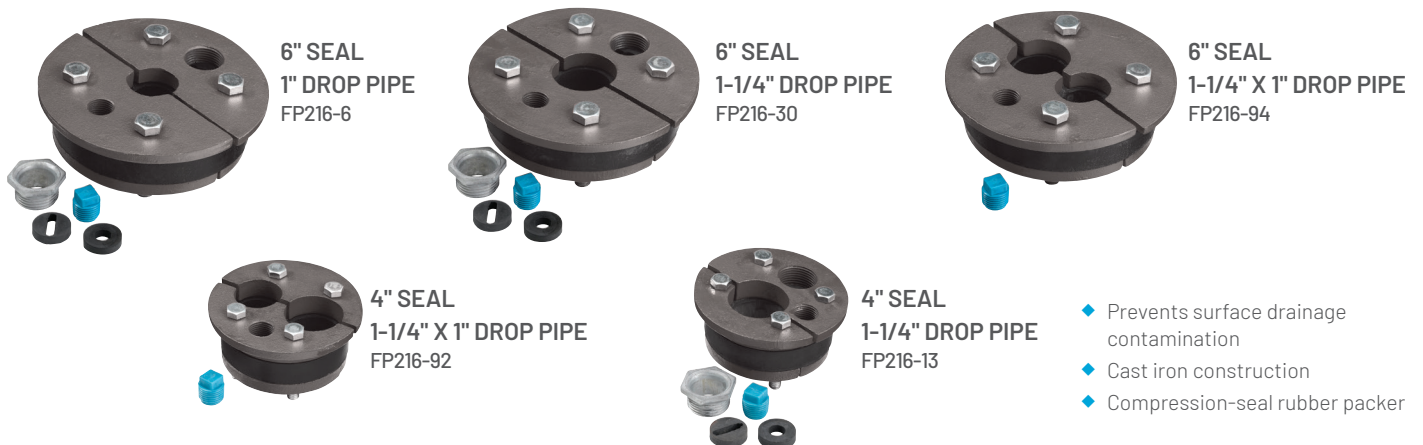
### WELL CAP

FPU216-111



- ◆ Watertight
- ◆ Fits casing: I.D. 6-1/4", O.D. 6-5/8"
- ◆ Low-profile, rugged cast-iron body

### WELL SEALS



6" SEAL  
1" DROP PIPE  
FP216-6

6" SEAL  
1-1/4" DROP PIPE  
FP216-30

6" SEAL  
1-1/4" X 1" DROP PIPE  
FP216-94

4" SEAL  
1-1/4" X 1" DROP PIPE  
FP216-92

4" SEAL  
1-1/4" DROP PIPE  
FP216-13

- ◆ Prevents surface drainage contamination
- ◆ Cast iron construction
- ◆ Compression-seal rubber packer

## WELL DRIVE POINTS

J208-2 (1-1/4" x 36")  
J48-12 (1-1/4" x 48")



- ◆ For shallow well or pitcher pump installations
- ◆ For water tables 25' or less
- ◆ Heavy-duty galvanized pipe with cast-iron point
- ◆ Stainless steel gauze and screen

## WELL POINT DRIVE COUPLING

J11-6



- ◆ Connects well point and drive pipe sections (1-1/4")
- ◆ Heavy-duty galvanized steel construction

## WELL POINT DRIVE CAP

J70-1



- ◆ Protects drive pipe threads while driving (1-1/4")
- ◆ Hardened alloy steel for added strength
- ◆ Vented top relieves drive pressure resistance
- ◆ Works with well point and drive pipe sections (1-1/4")

## HYDRANTS



- ◆ Corrosion-resistant standpipe
- ◆ Leakproof seal can be easily replaced
- ◆ Easily replace rod, plunger, seat, and linkage without digging
- ◆ Lockable cast iron head

## PITCHER PUMP

FPHP25



### FULL-FUNCTION 25' SHALLOW WELL PUMP

- ◆ Heavy-duty cast iron construction
- ◆ Designed for shallow well applications (up to 25')
- ◆ Ready to install with 1-1/4" pipe or adaptable to 1" pipe
- ◆ Adjustable cap for optional handle positions
- ◆ Pitcher pump spout holds pail for easy operation

1' BURY DEPTH  
FPH1

2' BURY DEPTH  
FPH2

3' BURY DEPTH  
FPH3

4' BURY DEPTH  
FPH4

5' BURY DEPTH  
FPH5

6' BURY DEPTH  
FPH6

## HYDRANT INSTALLATION KIT

FPHK



- ◆ Includes 90° elbow barbed fitting for polyethylene pipe installation
- ◆ 1/4" threaded fitting and discharge tubing allows for proper hydrant drainage

## HYDRANT REPAIR KIT

FPYRK1



- ◆ Everything you need to repair Clayton Mark hydrants
- ◆ Includes plunger insert, packing plunger, head setscrew, packing nut
- ◆ Fits 1' to 8'

## TANK FILL PUMP-UP FLOAT SWITCH

FPW217-180B



- ◆ Normally closed contact switch activates pump when float is in down position
- ◆ Designed to provide automatic control of pump
- ◆ Piggyback switch

# GLOSSARY OF TERMS

**Air Volume Control** – Designed to maintain the air charge in a standard water storage tank. Precharged tanks do not use an air volume control.

**Atmospheric Pressure** – A force exerted upon the Earth's surface by the weight of air extending to a height of 25 miles above the earth. At sea level, 14.7 pounds per square inch (PSI).

**Black Water** – Raw human sewage.

**Centrifugal Force** – The force created by a spinning or rotating impeller resulting in the movement of water outward from the center point. A pump uses an impeller to create centrifugal force.

**Check Valve** – Allows water to move in only one direction, which prevents water from returning to its source.

**Convertible Jet Pump** – For deep wells where pumping water levels are as far as 90 feet below the pump. Also easily converted for shallow wells where pumping water levels are no more than 25 feet below the pump. Jet packages must be purchased separately.

**Cut-in Pressure Setting** – The point at which the pressure switch turns the pump on.

**Deep Well** – Well with a depth to water greater than 25 feet.

**Depth to Water** – The vertical measurement from pump level down to the top of the water in your well.

**Discharge Pressure** – The amount of force or pressure of the water being discharged from the pump.

**Dual-Voltage Motor** – Pump motor that can be operated on 115 or 230 volt service by simply changing the internal motor leads located under the motor canopy to correspond with the power supply.

**Effluent** – Sewage or wastewater which has undergone some pretreatment. Effluent water may contain small solids and/or stringy material (lint, hair, etc.). Effluent is generally defined as 3/4" solids or less.

**Foot Valve** – Installs on end of pump suction pipe to prevent water from draining back to source. Includes strainer to minimize suction of debris into pump.

**GPH** – Gallons per hour.

**GPM** – Gallons per minute.

**Gray Water** – Non-toilet household wastewater (sinks, showers, laundry, etc.) that is sometimes recycled, especially for use in gardening or for flushing toilets.

**Head** – A term used to define water pressure in vertical feet. Or a term representing the energy content of a liquid, expressed as the height of an equivalent vertical column of water. a. This is expressed in feet of head. b. This can apply to both sides of a pump: the suction side and discharge side. c. It is also used to express the total losses in a pumping system (Total Dynamic Head).

**HP** – Horsepower (size rating of motor).

**Jet Package** – Required for operation of convertible and deep well jet pumps.

**Jet Pump** – A centrifugal pump which requires a jet, either built-in or purchased separately, to help build additional water pressure.

**Lift** – Lift is essentially the distance water has to travel between your sump basin and the highest vertical point in the drainage pipe. The most common lift height is 10 feet.

**Precharged Tank** – A water storage tank precharged with air at factory featuring a vinyl bag to separate water from air which prevents waterlogging. This tank design provides greater drawdown than standard tanks. Precharged tanks do not require an air volume control. (See Water Storage Tank, Waterlogging, Tank Drawdown.)

**Pressure** – A force usually expressed in pounds per square inch (PSI).

# GLOSSARY OF TERMS

**Pressure Relief Valve** – Required for all submersible pump and pressure boosting installations to prevent overpressurization of water storage tank and system piping that could develop from pressure switch malfunction.

**Pressure Switch** – The switch that automatically turns the pump on and off at specified pressures 30/50 PSI and 40/60 PSI.

IMPORTANT! Always replace an old switch with a new switch with the same pressure settings.

**30/50 pressure operation** – Pressure switch turns pump on at 30 PSI, off at 50 PSI. 40/60 pressure operation – Pressure switch turns pump on at 40 PSI, off at 60 PSI.

**Priming the Pump** – The initial filling of a jet or centrifugal pump with water so that the air can be removed.

**Pump Capacity** – The amount of water a pump is capable of moving at a given pressure.

**PSI** – Pounds per square inch. A unit of water and air pressure measurement.

**Self-Priming Pump** – A centrifugal pump having the capability of dispersing a certain amount of air from its pump body, assuming the pump has been primed initially, when operating under a suction lift; to free itself of entrained gas without losing prime; and to continue normal pumping operation without attention.

**Sewage** – Raw wastewater from residential, commercial or industrial sites. Sewage from residential sites is generally defined as 2" solids.

**Shallow Well** – Well with a depth to water of 25 feet or less.

**Sizing** – Properly matching pump to application for best performance.

**Standard Tank** – A pressurized water storage tank where air comes in contact with water. Requires air volume control for proper operation.

**Submersible Control Box** – Installs aboveground. Contains electrical starting components for 3-wire submersible deep well pumps. 2-wire submersible deep well pumps do not use a control box.

**Submersible Deep Well Pump** – For use on wells where pump water levels are up to 400 feet below point of use. Pump is submerged underwater in well.

**Suction Lift** – See Depth to Water.

**Sump Pump** – An electric pump that is placed in the basement of a home and is used to remove water from the basement to outside the home.

**Tank Drawdown/Drawdown** – The amount of usable water available from a water storage tank between pump stops and starts.

**Waterlogging** – The absorption of air into water stored in a water storage tank, which greatly reduces the amount of usable water drawdown available from the tank.

**Water Storage Tank** – Stores air and water under pressure to provide for automatic pump operation and a source of water when pump is not running.

**Well Diameter** – Inside dimension of well casing.

## RETAIN ORIGINAL RECEIPT FOR WARRANTY ELIGIBILITY

### LIMITED WARRANTY

This Limited Warranty is effective July 11, 2019 and replaces all undated warranties and warranties dated before July 11, 2019.

Pentair Flotec\* warrants to the original consumer purchaser ("Purchaser" or "You") that its products are free from defects in material and workmanship for a period of twelve (12) months from the date of the original consumer purchase. If, within twelve (12) months from the original consumer purchase, any such product shall prove to be defective, it shall be repaired or replaced at Pentair Flotec's option, subject to the terms and conditions set forth herein. Note that this limited warranty applies to manufacturing defects only and not to ordinary wear and tear. All mechanical devices need periodic parts and service to perform well. This limited warranty does not cover repair when normal use has exhausted the life of a part or the equipment.

The original purchase receipt and product warranty information label are required to determine warranty eligibility. Eligibility is based on purchase date of original product - not the date of replacement under warranty. The warranty is limited to repair or replacement of original purchased product only, not replacement product (i.e. one warranty replacement allowed per purchase). Purchaser pays all removal, installation, labor, shipping, and incidental charges.

Claims made under this warranty shall be made by returning the product (except sewage pumps, see below) to the retail outlet where it was purchased immediately after the discovery of any alleged defect. Pentair Flotec will subsequently take corrective action as promptly as reasonably possible. No requests for service will be accepted if received more than 30 days after the warranty expires.

Warranty is not transferable and does not apply to products used in commercial/rental applications.

For parts or troubleshooting assistance, DO NOT return product to your retail store - contact Pentair Flotec Customer Service at 1-800-365-6832.

### SEWAGE PUMPS

DO NOT return a sewage pump (that has been installed) to your retail store. Sewage pumps that have seen service and been removed carry a contamination hazard with them.

If your sewage pump has failed:

- Wear rubber gloves when handling the pump;
- For warranty purposes, return the pump's cord tag and original receipt of purchase to the retail store;
- Dispose of the pump according to local disposal ordinances.

Contact Pentair Flotec Customer Service at 1-800-365-6832.

### EXCEPTIONS TO THE TWELVE (12) MONTH LIMITED WARRANTY

PRODUCT	WARRANTY PERIOD
Parts20*(Parts & Accessories), FPOF360AC, FPOFDC	90 days
FPOS1775A, FPOS4100X, FPPSS3000, FPCC5030, FPCI3350, FPCI5050, FPDC30	2 Years
FPSC1725X, FPSE3601A, FPSC3350A, FPZT7300, FPZT7350, FPZT7450, FPZT7550	3 Years
E3305TLT, E3375TLT, E5005TLTT, E50TLT, E50VLT, E75STVT, E75VLT, FPSE9000, FPSE9050	5 Years

### GENERAL TERMS AND CONDITIONS; LIMITATION OF REMEDIES

You must pay all labor and shipping charges necessary to replace product covered by this warranty. This warranty does not apply to the following: (1) acts of God; (2) products which, in the sole judgment of Pentair Flotec, have been subject to negligence, abuse, accident, misapplication, tampering, or alteration; (3) failures due to improper installation, operation, maintenance or storage; (4) atypical or unapproved application, use or service; (5) failures caused by corrosion, rust or other foreign materials in the system, or operation at pressures in excess of recommended maximums.

This warranty sets forth the sole obligation of Pentair Flotec, and purchaser's exclusive remedy for defective products.

PENTAIR FLOTEC SHALL NOT BE LIABLE FOR ANY CONSEQUENTIAL, INCIDENTAL, OR CONTINGENT DAMAGES WHATSOEVER.

THE FOREGOING WARRANTIES ARE EXCLUSIVE AND IN LIEU OF ALL OTHER EXPRESS AND IMPLIED WARRANTIES, INCLUDING BUT NOT LIMITED TO THE IMPLIED WARRANTIES OF MERCHANTABILITY AND FITNESS FOR A PARTICULAR PURPOSE. THE FOREGOING WARRANTIES SHALL NOT EXTEND BEYOND THE DURATION PROVIDED HEREIN.

Some states do not allow the exclusion or limitation of incidental or consequential damages or limitations on how long an implied warranty lasts, so the above limitations or exclusions may not apply to You. This warranty gives You specific legal rights and You may also have other rights which vary from state to state.

(3/14/2022)





**293 S. Wright Street | Delavan, WI 53115 | United States | 1.800.365.6832 | [pentair.com/flotec](https://pentair.com/flotec)**

All indicated Pentair trademarks and logos are property of Pentair. Third party registered and unregistered trademarks and logos are the property of their respective owners. Because we are continuously improving our products and services, Pentair reserves the right to change specifications without prior notice. Pentair is an equal opportunity employer.

©2022 Pentair. All Rights Reserved.

FL424IRE (03-16-22)