

Epoxy-Lined Standard Tanks

Vertical Design

Typical Applications

Replaces any standard galvanized, glass-lined or epoxy-lined tank for applications such as retention tanks, holding tanks and pressure tanks

Precision Press Fit Design

Minimizes gaps between components, reducing corrosion and seam leaks

Heavy-Gauge All-Steel Construction

Tough appliance-like finish for extended life

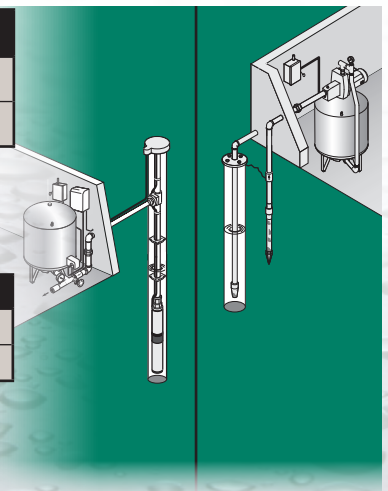


120 GAL FP7250

85 GAL FP7240

MODEL	TANK SIZE	STYLE	DIAMETER	HEIGHT	LENGTH	PIPING SIZE
FP7250	120 gallons	Vertical	24"	68"	N/A	1-1/4"
FP7240	85 gallons	Vertical	24"	51"	N/A	1-1/4"

MODEL	WARRANTY	UPC	CARTON DIMENSIONS	PALLET QTY.	WEIGHT
FP7250	1 YEAR	022315162938	24.813" x 24.813" x 69.818"	2	142 LBS.
FP7240	1 YEAR	022315135918	24.813" x 24.813" x 51.563"	2	109.35 LBS.



Includes:

Detailed owner's manual