



Water is Our Business®

293 Wright Street, Delavan, WI 53115

Phone: 1-800-365-6832

Fax: 1-800-526-3757

Web Site: flotecwater.com

OWNER'S MANUAL

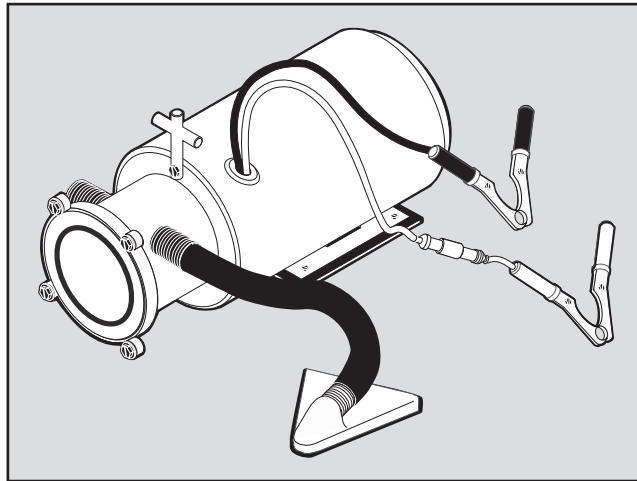
**12V DC Mini Vac Pump Kit**

NOTICE D'UTILISATION

**Trousse de pompe Mini Vac  
fonctionnant sur le courant  
continu de 12 volts**

MANUAL DEL USUARIO

**Juego de bomba Mini Vac  
de 12V CC**



**Series / Série FP0FDC**

**Installation/Operation/Parts**

*For further operating, installation,  
or maintenance assistance:*

**Call 1-800-365-6832**

**English. . . . . Pages 2-8**

**Installation/Fonctionnement/Pièces**

*Pour plus de renseignements  
concernant l'utilisation,  
l'installation ou l'entretien,*

**Composer le 1 (800) 365-6832**

**Français . . . . . Pages 9-15**

**Instalación/Operación/Piezas**

*Para mayor información sobre el  
funcionamiento, instalación o  
mantenimiento de la bomba:*

**Llame al 1-800-365-6832**

**Español . . . . . Páginas 16-22**

## Retain Original Receipt For Warranty Eligibility

### Limited Warranty

This Limited Warranty is effective June 1, 2011 and replaces all undated warranties and warranties dated before June 1, 2011. FLOTEC warrants to the original consumer purchaser ("Purchaser" or "You") that its products are free from defects in material and workmanship for a period of twelve (12) months from the date of the original consumer purchase. If, within twelve (12) months from the original consumer purchase, any such product shall prove to be defective, it shall be repaired or replaced at FLOTEC's option, subject to the terms and conditions set forth herein. Note that this limited warranty applies to manufacturing defects only and not to ordinary wear and tear. All mechanical devices need periodic parts and service to perform well. This limited warranty does not cover repair when normal use has exhausted the life of a part or the equipment.

The original purchase receipt and product warranty information label are required to determine warranty eligibility. Eligibility is based on purchase date of original product – not the date of replacement under warranty. The warranty is limited to repair or replacement of original purchased product only, not replacement product (i.e. one warranty replacement allowed per purchase). Purchaser pays all removal, installation, labor, shipping, and incidental charges.

For parts or troubleshooting assistance, DO NOT return product to your retail store - contact FLOTEC Customer Service at 1-800-365-6832.

Claims made under this warranty shall be made by returning the product (except sewage pumps, see below) to the retail outlet where it was purchased or to the factory immediately after the discovery of any alleged defect. FLOTEC will subsequently take corrective action as promptly as reasonably possible. No requests for service will be accepted if received more than 30 days after the warranty expires. Warranty is not transferable and does not apply to products used in commercial/rental applications.

### Sewage Pumps

DO NOT return a sewage pump (that has been installed) to your retail store. Contact FLOTEC Customer Service. Sewage pumps that have seen service and been removed carry a contamination hazard with them.

If your sewage pump has failed:

- Wear rubber gloves when handling the pump;
- For warranty purposes, return the pump's cord tag and original receipt of purchase to the retail store;
- Dispose of the pump according to local disposal ordinances.

### Exceptions to the Twelve (12) Month Limited Warranty

Product	Warranty Period
FP0F360AC, FP0FDC	90 days
FP0S1775A, FP0S1790PCA, FP0S2400A, FP0S2450A, FP0S4100X, FP2800DCC, FPCP-20ULST, FPPSS3000, FPSC2150A, FPSC3150A, FPSC3350A	2 Years
4" Submersible Well Pumps, FP0S3200A, FP0S3250A, FP0S6000A, FPSC1725X, FPSC2200A, FPSC2250A, FPSE3601A, FPPSS5000	3 Years
FP7100 Series Pressure Tanks, E100ELT, E3305TLT, E3375TLT, E5005TLTT, E50TLT, E50VLT, E75STVT, E75VLT, FPSC3200A, FPSC3250A, FPSC4550A	5 Years

### General Terms and Conditions; Limitation of Remedies

You must pay all labor and shipping charges necessary to replace product covered by this warranty. This warranty does not apply to the following: (1) acts of God; (2) products which, in FLOTEC's sole judgment, have been subject to negligence, abuse, accident, misapplication, tampering, or alteration; (3) failures due to improper installation, operation, maintenance or storage; (4) atypical or unapproved application, use or service; (5) failures caused by corrosion, rust or other foreign materials in the system, or operation at pressures in excess of recommended maximums.

This warranty sets forth FLOTEC's sole obligation and purchaser's exclusive remedy for defective products.

FLOTEC SHALL NOT BE LIABLE FOR ANY CONSEQUENTIAL, INCIDENTAL, OR CONTINGENT DAMAGES WHATSOEVER.

THE FOREGOING LIMITED WARRANTIES ARE EXCLUSIVE AND IN LIEU OF ALL OTHER EXPRESS AND IMPLIED WARRANTIES, INCLUDING BUT NOT LIMITED TO IMPLIED WARRANTIES OF MERCHANTABILITY AND FITNESS FOR A PARTICULAR PURPOSE. THE FOREGOING LIMITED WARRANTIES SHALL NOT EXTEND BEYOND THE DURATION PROVIDED HEREIN.

Some states do not allow the exclusion or limitation of incidental or consequential damages or limitations on how long an implied warranty lasts, so the above limitations or exclusions may not apply to You. This warranty gives You specific legal rights and You may also have other rights which vary from state to state.

**FLOTEC • 293 Wright Street • Delavan, WI U.S.A. 53115**  
**Phone: 1-800-365-6832 • Fax: 1-800-526-3757 • Web Site: [flotecwater.com](http://flotecwater.com)**

### Important Safety Instructions

**SAVE THESE INSTRUCTIONS** - This manual contains important instructions that should be followed during installation, operation, and maintenance of the product. Save this manual for future reference.

**⚠** This is the safety alert symbol. When you see this symbol on your pump or in this manual, look for one of the following signal words and be alert to the potential for personal injury!

**⚠ DANGER** indicates a hazard which, if not avoided, *will* result in death or serious injury.

**⚠ WARNING** indicates a hazard which, if not avoided, *could* result in death or serious injury.

**⚠ CAUTION** indicates a hazard which, if not avoided, *could* result in minor or moderate injury.

**NOTICE** addresses practices not related to personal injury.

#### California Proposition 65 Warning

**⚠ WARNING** This product and related accessories contain chemicals known to the State of California to cause cancer, birth defects or other reproductive harm.

### Description

This non-corrosive pump, with reversible flow direction, is designed to pump water only.

**⚠ WARNING Risk of fire or explosion.** Can cause severe injury, property damage or death. Do not use in explosive atmospheres. Do not pump flammable liquids.

### Specifications

Liquid Temp. Range. . . . . 35° to 120° F (1.7° to 50° C)

**NOTICE** Never operate the pump for more than two hours at a time. Never run the pump dry!

**NOTICE** This unit is not designed for applications involving salt water or brine! Use with salt water or brine will void warranty.

### Performance

Total Feet (m)				
0 (0)	10 (3)	20 (6.1)	30 (9.1)	40 (12.2)
Capacity Gallons (L) / Hour				
450 (1,703)	390 (1,476)	300 (1,136)	225 (852)	130 (492)

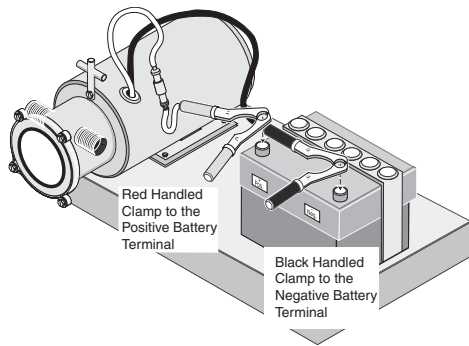
### DC Motors

- DC motors must be connected to a fully charged automotive, tractor or marine type battery of the proper voltage.
- Life expectancy of the motor is 500 to 1000 hours. For more information, see your retailer, or call Flotec customer service at 1-800-365-6832.

### General Safety Information

- This equipment is only for use with an automotive, tractor or marine type battery fully charged to 12 Volts DC.
  - ⚠ WARNING Risk of electric shock.** Battery current can cause severe burns and start a fire if the battery is short circuited.
  - ⚠ WARNING Risk of burns.** Battery posts, terminals and related accessories contain lead and lead compounds, chemicals known to the State of California to cause cancer and reproductive harm. Wash hands after handling.
- Know the pump application, limitations, and potential hazards.
- Do not use this pump in water with fish present.
- Release all pressure within the system before servicing any component.
- Drain all water from the system before servicing.
- Secure the discharge line before starting the pump. An unsecured discharge line can whip, possibly causing personal injury and/or property damage.
- Check hoses for weak or worn condition before each use, making certain all connections are secure.
- Periodically inspect the pump and system components. Keep free of debris and foreign objects. Perform routine maintenance as required. See *Maintenance*.
- Provide a means of pressure relief for pumps whose discharge line can be shut-off or obstructed.
- Personal Safety:
  - Wear safety glasses at all times when working with the pumps.
  - Keep work area clean, uncluttered and properly lighted.
  - Keep visitors at a safe distance from the work area.
  - Make the workshop child-proof – with padlocks, master switches, and by removing starter keys.
- When wiring a DC pump, follow all of the electrical and safety codes that apply.
- All wiring is to be 12 gauge stranded copper wire that is:
  - Water resistant
  - Oil resistant
  - Flame resistant

**NOTICE** This pump is equipped with a permanent magnet type 12 Volt reversible DC motor. Be sure it is connected properly as illustrated for the direction of flow indicated by the arrows on the pump case (see Figure 1).



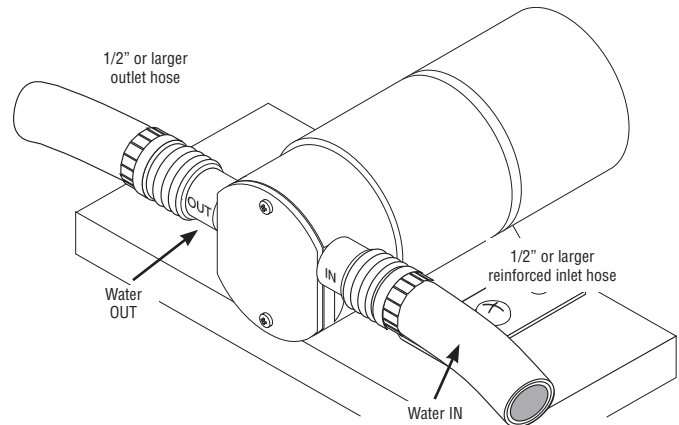
**Figure 1 - Wiring Connections**

13. Use insulated crimp type connectors.
14. Protect the electrical wires from sharp objects, hot surfaces, oil, and chemicals. Avoid kinking the wires. Replace or repair damaged or worn wires immediately.
15. Do not touch an operating motor. Motors can operate at high temperatures.
16. Do not handle the pump or pump motor, or change wiring with wet hands or when standing on a wet or damp surface, or in water.

**⚠ WARNING Risk of electric shock.** Can shock, burn or kill. Do not walk on a wet area. Do not lift the pump by the power cord.

## Installation

1. Remove the plastic plugs from the pump ports and locate the pump as close to the water supply as possible (the shorter the distance the better the pump performance).  
**NOTICE** Do not secure the pump in a position with the motor facing down. The motor is splash proof, but not water proof.  
**⚠ WARNING Risk of fire and explosion.** Can cause severe injury, property damage or death. The motor is not spark proof. Do not use in explosive atmospheres. Do not pump flammable liquids.
2. Secure the pump on a hard surface. The pump should be less than 6' above and less than 6' to one side of the water source.
3. Connect the outlet hose. Make the outlet hose as short as possible – 25' or less. See Figure 2 (typical pump shown).

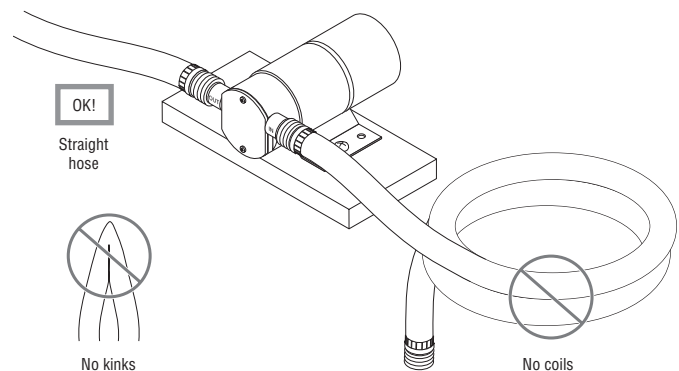


**Figure 2 - Hose Connections**

4. Prime the pump.
  - Connect the inlet hose. Use a reinforced hose 1/2" or larger ID. Check the washer in the inlet fitting to make sure it is airtight. If this joint leaks air, the pump will not operate.
  - Fill the inlet hose with water and put the open end of the hose in the water you wish to pump.
- NOTICE** Do not allow the inlet hose to lie in dirt or sand. This will cause rapid wear of the pump.
5. For a flat surface attach the Pud-L-Scoop® to the end of the inlet line and place it in at least 1/2" of water at the lowest point to be pumped. For all other uses, attach the suction screen.
6. Be sure the discharge line is open and that the line has no kinks or coils in it. Be sure all connections are air tight.

### Keep the hoses as straight as possible

To reduce friction, do not coil or kink the hoses. When pumping from a well or stream, raise the inlet hose a few inches off the bottom to avoid sucking in sand, silt or pebbles (which can disable the impeller). Install the suction screen or attachment (included) to protect the pump from large solids. See Figure 3 (typical pump).



**Figure 3 - Keep hoses as straight as possible**

- Connect the motor lead wires as indicated in Table I and as shown in Figure 1. Pump will start immediately when connected to power.  
**NOTICE** In order for the pump to run in the proper direction, the wires must be connected correctly.
- Power Supply:** Pump is designed for use with a 12 Volt DC battery. Operation requires a minimum 12 Volt power supply.

Connect the ...	To ...
1. Red handled battery clamp	Positive (+) battery terminal
2. Black handled battery clamp	Negative (-) battery terminal

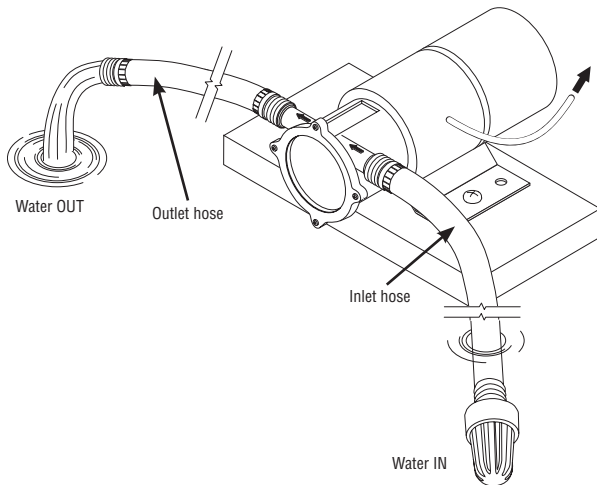
**Table I – Wiring Connections**

## Operation

**⚠ WARNING Risk of electric shock.** Do not handle a pump or pump motor with wet hands or when standing on wet or damp surface, or in water.

**⚠ WARNING Risk of Fire and Explosion.** Can cause severe injury, property damage or death. Do not use in explosive atmospheres. Pump water only with this pump.

- INLET hose goes IN the water.
- OUTLET hose stays OUT of the water.
- MOTOR must stay dry. See Figure 4.



**Figure 4 - Typical Operation**

- The shaft seal and impeller depend on water for lubrication and cooling. Do not operate the pump unless it is pumping water. The seal will be damaged if the pump is allowed to run dry. Fill the inlet hose with water before each use. Do this before starting the pump.  
**NOTICE** DO NOT run this pump dry. Running this pump dry will void the warranty.

- The pump motor requires a fully charged 12V DC battery for operation.  
**⚠ WARNING Risk of electric shock.** Can burn or kill. Before attempting to check why a unit has stopped operating, disconnect the pump from the battery.

- Water should be pumping in 1 minute or less. If not, make sure that all of the suction connections are air tight. Most priming problems are due to air leaks in the suction line. Refill the inlet hose and repeat the process. If your pump does not prime on the second try, disconnect the pump from the battery and refer to *Troubleshooting*.

**NOTICE** The motor must have air circulation around it for proper cooling. This pump will lift water 6'; trying to lift water more than 6' can cause the motor to run hot. The motor has a thermal overload which will stop it if it gets too hot. If the motor stops, allow it to cool for 30 minutes before trying to start it again.

- Disconnect the pump from the battery before all the water is completely gone. Do not run pump dry!

## Performance

The pump will deliver 350 gallons/1325 liters per hour with an unrestricted discharge line. If the discharge line is restricted or raised and the pressure on the pump outlet port increases, it will pump less water.

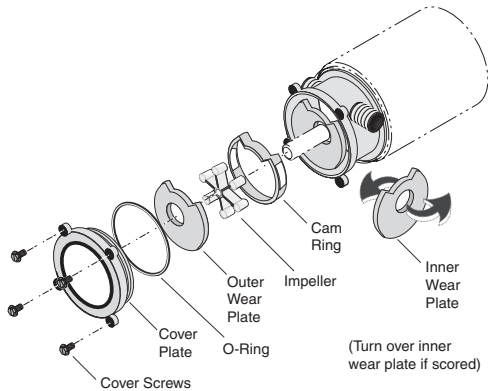
**NOTICE** This pump's motor has brushes. Inspect the brushes frequently; replace them if they are worn.

## Maintenance

- Replace the impeller and cam ring every 250 hours of use. See *Impeller Replacement*.  
**NOTICE** Severe or abrasive use can wear out the cam ring quickly. Grass, mud, sand or pea gravel can cause abrasive wear. Use the supplied suction screen. Keep the pump inlet clear.
- When you have finished pumping, disconnect the wires from the power source to be sure the unit is turned off.

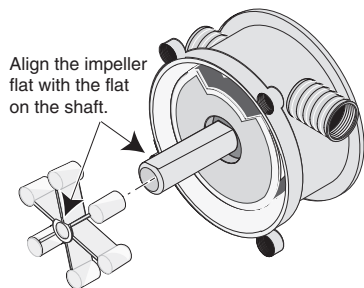
## Impeller Replacement:

For impeller replacement refer to Figure 5.



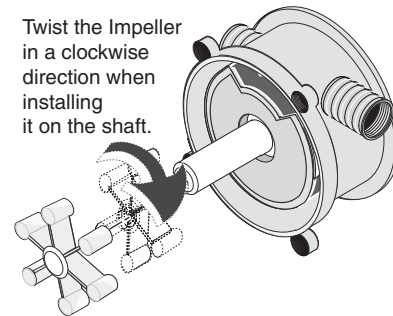
**Figure 5 - Impeller replacement.**

1. Loosen and remove the cover screws.
2. Remove the cover plate and the O-Ring.
3. Remove the outer wear plate.
4. Remove the old impeller and cam ring and discard them.
5. Examine the inner wear plate for wear. If it is worn, remove it, turn it over and reinstall it.
6. Grease the outside diameter of the new cam ring with silicone grease and install it.
7. Put a small amount of the same grease on the inside diameter of the cam ring and on the surface of the wearplate.
8. Install the new impeller. Be sure to align the flat on the impeller with the flat on the motor shaft. See Figure 6.



**Figure - 6 Be sure to align the flat on the impeller with the flat on the shaft.**

9. While installing the impeller, twist it in a clockwise direction (impeller blades will be bent). See Figure 7.

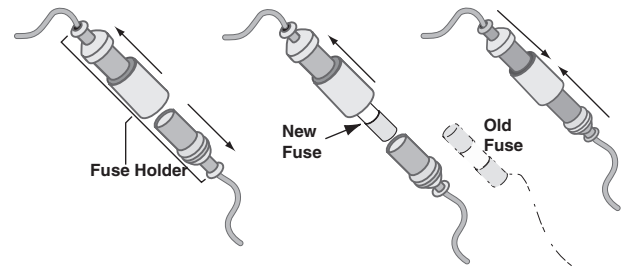


**Figure - 7 Turn the impeller clockwise during installation.**

10. Reinstall the outer wearplate and O-Ring.
11. Reinstall the cover plate.
12. Reinstall the screws. Tighten the screws moderately first and then snug them down.

## To replace the Fuse (Refer to Figure 8):

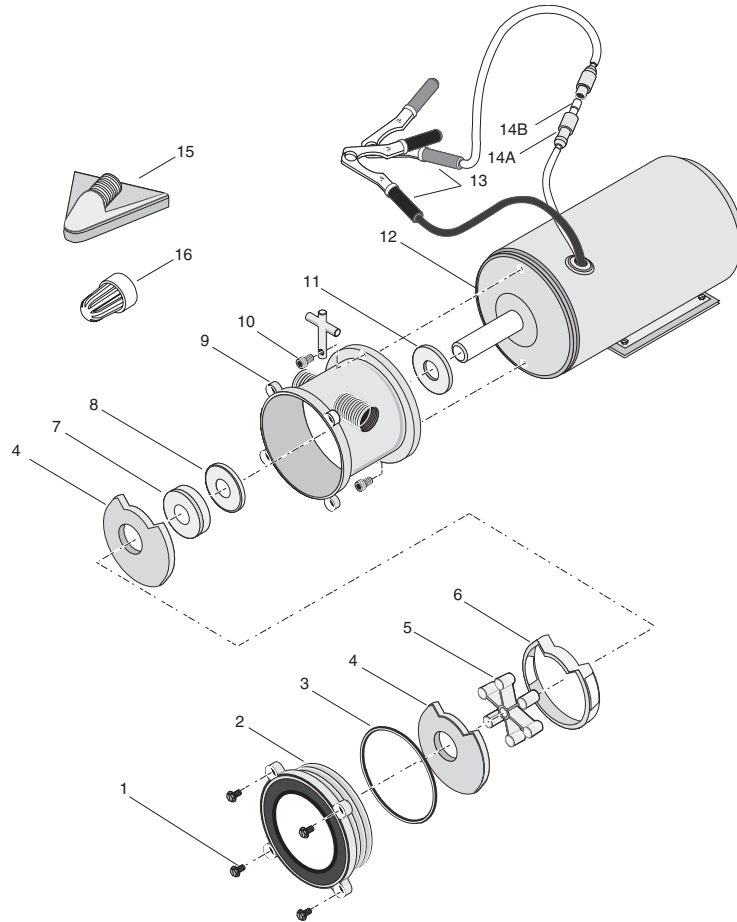
1. Gently pull the fuse holder apart.
2. Replace the old fuse with the new fuse.
3. Reassemble the fuse holder.



**Figure 8 - Fuse replacement.**

1. Gently pull the fuse holder apart and remove the old fuse (See Step 1).
2. Push the new fuse firmly up into the fuse holder (See Step 2).
3. Reassemble the fuse holder (See Step 3).

Symptom	Probable Cause(s)	Corrective Action
Pump stops without warning.	Pump has overheated and thermal overload has tripped.	Wait for overload to reset; pump will automatically restart.
	Discharge hose too long or discharge lift higher than 28’.	Use shorter hose or reduce lift height.
Pump won’t prime.	Suction hose not full.	Fill suction hose.
	Suction hose too long or too small.	Use 1/2” suction hose, 6’ long or less.
	Worn impeller.	Replace impeller.
	Suction leaks.	Replace hose washer, check for leaks in hose.
Pump leaks.	Suction hose kinked or coiled.	Straighten out suction hose.
	Shaft U-cup seal leaks.	Replace pump.
Pump runs, pumps little or no water.	Cover O-ring leaks.	Replace cover O-ring.
	Worn impeller.	Replace impeller.
	Bad motor brushes.	Replace motor brushes.
	Bad U-cup shaft seal (pump leaks).	Replace pump.
	Suction or discharge hose kinked or coiled.	Straighten out hose.



Ref.	Description	Qty.	Part Number
1	Screw, Cover	4	
2	Cover Plate	1	
3	O-Ring	1	
4	Wearplate	2	
5	Impeller	1	
6	Cam Ring	1	†
7	Seal, U-Cup	1	
8	Washer	1	
9	Housing Body	1	
10	Screw	2	
11	Water Slinger	1	
12	Motor	1	*
13	Cord Set	1	992-695
14A	Fuse Holder	1	U17-1148
14B	Fuse (Bussmann ABC-30)	1	344-001
15	Pud-L-Scoop® **	1	FP000349A
16	Screen, Suction	1	S8-146

† Included in Pump Head Assembly (A267)

\* If the motor fails, replace the pump.

\*\* Includes 6' garden hose and washer

Impeller and Seal Kit (A270) includes Ref. 3,4,5,6, and 7.



**Conserver le reçu de caisse original aux fins d'admissibilité à la garantie**

**Garantie limitée**

La présente garantie limitée est entrée en vigueur le 1er juin 2011 et remplace toute garantie non datée ou antérieure à cette date. FLOTEC garantit à l'acheteur/au consommateur d'origine (l'Acheteur) que ses produits sont exempts de tout vice de matériau et de fabrication. Cette garantie est valable pendant douze (12) mois à partir de la date d'achat d'origine. Si, dans les douze (12) mois suivant la date d'achat d'origine, un produit se révèle défectueux, il doit être réparé ou remplacé, à la discrétion de FLOTEC, selon les modalités énoncées aux présentes. Il est à noter que la présente garantie limitée s'applique aux défauts de fabrication seulement. Elle ne couvre pas l'usure normale. Tout dispositif mécanique doit faire l'objet d'un entretien périodique pour veiller à son bon fonctionnement. La présente garantie limitée ne couvre pas les réparations attribuables à l'usure normale d'une pièce ou de l'équipement.

Le reçu de caisse original et l'étiquette d'information sur la garantie sont nécessaires pour déterminer l'admissibilité à la garantie. Cette dernière est établie en fonction de la date d'achat de l'article et non de la date de son remplacement sous garantie. La garantie se limite à la réparation ou au remplacement de l'article original seulement et ne couvre pas l'article de rechange (c.-à-d. un article remplacé sous garantie par achat). L'Acheteur assume les frais de retrait, d'installation, de transport et tous les frais accessoires.

Pour obtenir des pièces ou de l'aide technique, NE PAS retourner le produit au détaillant. Contacter le service à la clientèle de FLOTEC au 1 800 365-6832.

Toute demande de règlement en vertu de la présente garantie doit être faite en retournant l'article (à l'exception des pompes de puisard; voir la marche à suivre ci-dessous) au magasin où celui-ci a été acheté ou à l'usine dès qu'une défectuosité est soupçonnée. FLOTEC prendra les mesures correctives nécessaires dans un délai rapide et raisonnable. Aucune demande de réparation ne sera acceptée plus de 30 jours après l'expiration de la garantie.

La garantie ne peut être cédée et ne s'applique pas aux produits utilisés à des fins commerciales ou de location.

**Pompes d'eaux d'égout**

NE PAS RETOURNER une pompe d'eaux d'égout (qui a été installée) au détaillant. Communiquer avec le service à la clientèle de FLOTEC. Les pompes d'eaux d'égout qui ont été utilisées, puis retirées présentent un risque de contamination.

En cas de défaillance de la pompe d'eaux d'égout :

- Porter des gants en caoutchouc pour manipuler la pompe.
- À des fins de garantie, retourner l'étiquette figurant sur le cordon de la pompe et l'original du reçu au détaillant.
- Mettre la pompe au rebut conformément à la réglementation locale.

**Exceptions à la garantie limitée de douze (12) mois**

Produit	Période de garantie
FP0F360AC, FP0FDC	90 jours
FP0S1775A, FP0S1790PCA, FP0S2400A, FP0S2450A, FP0S4100X, FP2800DCC, FPCP-20ULST, FPPSS3000, FPSC2150A, FPSC3150A, FPSC3350A	2 ans
Pompes de puits submersibles de 10,2 cm (4 po), FP0S3200A, FP0S3250A, FP0S6000A, FPSC1725X, FPSC2200A, FPSC2250A, FPSE3601A, FPPSS5000	3 ans
Réservoir préchargé de système d'eau (gamme FP7100), E100ELT, E3305TLT, E3375TLT, E5005TLTT, E50TLT, E50VLT, E75STVT, E75VLT, FPSC3200A, FPSC3250A, FPSC4550A	5 ans

**Modalités générales et restriction des recours**

L'Acheteur doit payer tous les frais de main d'œuvre et de transport nécessaires au remplacement du produit garanti couvert par cette garantie. Cette garantie ne s'applique pas à ce qui suit : (1) Les catastrophes naturelles; (2) Les produits qui, selon FLOTEC, ont fait l'objet d'une négligence, d'une utilisation abusive, d'un accident, d'une mauvaise application ou d'une altération; (3) Les défaillances dues à une installation, une utilisation, un entretien ou un entreposage inappropriés; (4) Une application, une utilisation ou une réparation atypique ou non approuvée; (5) Les défaillances causées par la corrosion, la rouille ou d'autres matériaux étrangers au système, ou par une utilisation à une pression supérieure au maximum recommandé.

Cette garantie établit la responsabilité unique de FLOTEC et le recours exclusif de l'Acheteur en cas de produit défectueux.

FLOTEC NE POURRA TRE TENUE RESPONSABLE DE TOUT DOMMAGE INDIRECT OU CONSÉCUTIF QUEL QU'IL SOIT.

LA GARANTIE LIMITÉE SUSMENTIONNÉE EST EXCLUSIVE ET REMPLACE TOUTES LES AUTRES GARANTIES EXPRESSES ET TACITES, Y COMPRIS, MAIS SANS S'Y LIMITER, LES GARANTIES DE QUALITÉ MARCHANDE ET D'ADAPTATION À UN USAGE PARTICULIER. LA GARANTIE LIMITÉE SUSMENTIONNÉE NE DOIT PAS ÊTRE PROLONGÉE AU-DELÀ DE LA DURÉE PRÉVUE AUX PRÉSENTES.


Certains États ne permettent pas l'exclusion ou la limitation des dommages indirects ou consécutifs, ni les limitations relatives à la durée des garanties implicites. Par conséquent, il se peut que les limitations ou les exclusions ci-dessus ne s'appliquent pas. Cette garantie procure des droits juridiques précis à l'Acheteur. Cependant, il est possible de bénéficier d'autres droits, qui varient selon l'État.


**FLOTEC • 293 Wright Street • Delavan, WI U.S.A. 53115**


**Téléphone : 1 800 365-6832 • Télécopieur : 1 800 526-3757 • [flotecwater.com](http://flotecwater.com)**

## Directives de sécurité importantes

**Conservez ces directives** – Ce manuel renferme d'importantes directives qu'il faut suivre durant l'installation et l'entretien de la pompe.

Ce symbole  indique qu'il faut être prudent. Lorsque ce symbole apparaît sur la pompe ou dans cette Notice, rechercher une des mises en garde qui suivent, car elles indiquent un potentiel de blessures corporelles!


Le mot signal  **DANGER** indique un danger qui, s'il n'est pas évité, *causera* la mort ou des blessures graves.

Le mot signal  **AVERTISSEMENT** indique un risque qui, s'il n'est pas évité, *pourrait causer* la mort ou des blessures graves.

Le mot signal  **ATTENTION** indique un risque qui, s'il n'est pas évité, *pourrait causer* des blessures mineures ou modérées.

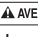
Le mot **AVIS** est utilisé pour les pratiques qui ne sont pas reliées aux blessures personnelles.

### Avertissement lié à la Proposition 65 de la Californie

 **AVERTISSEMENT** Ce produit et les accessoires connexes contiennent des produits chimiques reconnus dans l'État de la Californie comme pouvant provoquer des cancers, des anomalies congénitales ou d'autres dangers relatifs à la reproduction.

## Description

Cette pompe non corrosive, à débit réversible, est conçue pour ne pomper que de l'eau.

 **AVERTISSEMENT** **Risque d'incendie ou d'explosion** pouvant causer de graves blessures, des dommages matériels, voire la mort. Ne pas utiliser cette pompe dans des atmosphères explosives, et ne pomper que de l'eau avec cette pompe. Ne pas pomper de liquides inflammables.

## Caractéristiques

Gamme de températures

du liquide . . . . . De 35 à 120 °F (de 1,7 à 50 °C)

**AVIS** Ne jamais faire fonctionner cette pompe pendant plus de deux heures à la fois et ne jamais la faire fonctionner à sec!

**AVIS** Cette pompe n'est pas conçue pour pomper de l'eau salée ni de la saumure! La garantie sera annulée si cette pompe est utilisée pour pomper de l'eau salée ou de la saumure.

## Rendement


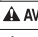
Totale de refoulement en pieds (m)				
0 (0)	10 (3)	20 (6,1)	30 (9,1)	40 (12,2)
Débit en gallons (L) / heure				
450 (1 703)	390 (1 476)	300 (1 136)	225 (852)	130 (492)

## Moteurs fonctionnant sur le courant continu

- Les moteurs fonctionnant sur le courant continu doivent être branchés sur une batterie d'automobile, de tracteur ou une batterie-marine de tension adéquate et complètement chargée.
- La durée de fonctionnement prévue du moteur est de 500 à 1 000 heures.

Pour de plus amples renseignements, s'adresser au détaillant ou appeler le service à la clientèle Flotec en composant le 1 800 365-6832.

## Renseignements généraux concernant la sécurité

- Cet équipement ne doit être utilisé qu'avec une batterie d'automobile, de tracteur ou une batterie-marine de 12 volts en courant continu et entièrement chargée.
  -  **AVERTISSEMENT** **Risque de secousses électriques.** Le courant de la batterie risque de causer de graves brûlures et un incendie peut être provoqué si la batterie est mise en court-circuit.
  -  **AVERTISSEMENT** **Risque de brûlures.** Les bornes, les cosses ainsi que tous les accessoires reliés à la batterie contiennent du plomb et des composés de plomb - produits chimiques reconnus par l'État de la Californie comme causant des cancers et d'autres problèmes de reproduction. Nettoyez-vous les mains après la manipulation.
- Il faut connaître les méthodes d'utilisation de cette pompe, les limitations de son utilisation et les risques potentiels de danger que cela présente.
- Ne pas utiliser cette pompe s'il y a présence de poissons dans l'eau.
- Dissiper toute la pression du système avant d'intervenir sur un de ses composants.
- Vider toute l'eau du système avant de procéder à toute intervention.
- Immobiliser la conduite de refoulement avant de démarrer la pompe. Une conduite de refoulement non immobilisée risque de fouetter et de causer possiblement des blessures corporelles et/ou des dommages matériels.
- Avant chaque utilisation, s'assurer que tous les tuyaux souples ne présentent aucun signe de faiblesse ou d'usure et que tous les raccords sont bien serrés.
- Périodiquement, inspecter les composants de la pompe et du système. Enlever tous les débris et tous les corps étrangers. Procéder, comme il est spécifié, à l'entretien périodique. Se reporter à la section « Entretien ».
- Prévoir, dans le cas des pompes dont la conduite de refoulement risque d'être fermée ou obstruée, un moyen de dissiper la pression.
- Sécurité personnelle :
  - Toujours porter des lunettes de sécurité lorsque l'on intervient sur une pompe.
  - Garder la zone de travail propre, nette et adéquatement éclairée.
  - Garder les visiteurs à une distance sécuritaire de la zone de travail.
  - L'atelier doit être rendu sécuritaire pour les enfants en posant des cadenas, des disjoncteurs principaux et en enlevant toutes les clés des démarreurs.
- Pour câbler une pompe fonctionnant sur le courant continu, observer tous les codes de l'électricité et de la sécurité en vigueur.
- Tout le câblage utilisé pour l'installation doit être du fil de cuivre toronné de calibre 12 :
  - Résistant à l'eau
  - Résistant aux huiles
  - Ignifugé

**AVIS** Cette pompe est équipée d'un moteur de 12 volts réversible fonctionnant sur le courant continu et du type à aimant permanent. S'assurer qu'elle est correctement branchée comme il est illustré en ce qui concerne le sens du débit, lequel est indiqué par les flèches frappées sur le corps de la pompe (se reporter à la Figure 1).

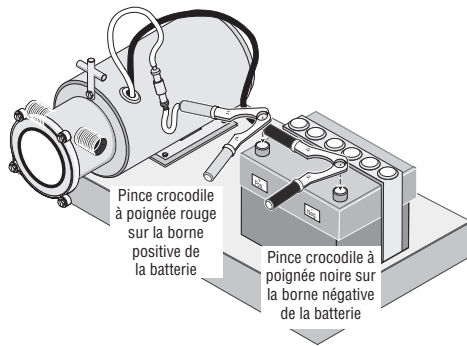


Figure 1 – Branchements des câbles.

13. N'utiliser que des connecteurs isolés à sertir.
14. Protéger tous les fils électriques contre les objets tranchants, les surfaces chaudes, les huiles et les produits chimiques. Éviter d'écraser les fils. Remplacer ou réparer immédiatement tout fil endommagé ou usé.
15. Ne pas toucher à un moteur en fonctionnement. Les moteurs peuvent fonctionner par les températures élevées.
16. Ne pas manipuler la pompe ni le moteur de la pompe, et ne pas remplacer de fils si on a les mains humides ou si on se tient debout sur une surface humide ou dans l'eau.

**AVERTISSEMENT** **Risque de secousses électriques.** Pouvant causer des brûlures, voire la mort. Ne pas marcher sur une surface humide. Ne pas lever la pompe par son cordon électrique.

## Installation

1. Enlever les bouchons en plastique des orifices de la pompe, puis positionner la pompe aussi près que possible de la source d'eau (plus la distance sera courte, meilleur sera le rendement de la pompe).

**AVIS** Ne pas immobiliser la pompe avec son moteur orienté vers le bas. Ce moteur est étanche aux éclaboussures, mais pas à l'eau.

**AVERTISSEMENT** **Risque d'incendie ou d'explosion.** Pouvant causer de graves blessures, des dommages matériels, voire la mort. Le moteur n'est pas anti-étincelant. Ne pas le faire fonctionner dans des atmosphères explosives. Ne pas pomper de liquides inflammables.

2. Fixer fermement la pompe sur une surface dure. Cette pompe doit être installée à moins de 1.8 mètres (6 pieds) au-dessus de la source d'eau, et à moins de 1.8 mètres (6 pieds) d'un côté ou l'autre de la source d'eau.
3. Brancher le tuyau souple sur le refoulement. Le tuyau souple de refoulement doit être aussi court que possible, soit 7,6 mètres (25 pieds) de long maximum. Voir la Figure 2 (pompe typiques montré).

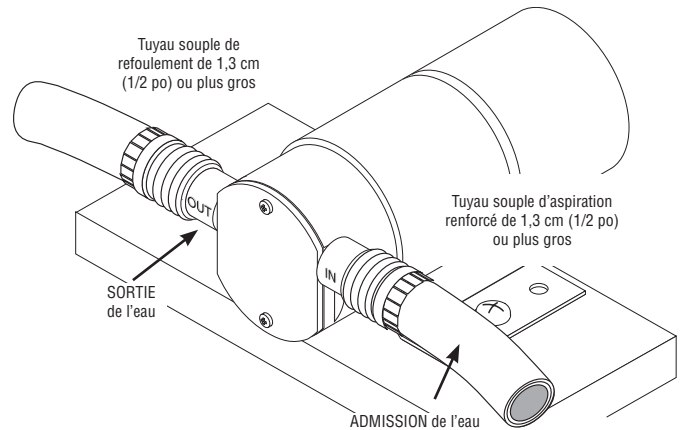


Figure 2 - Raccords des tuyaux

4. Amorcer la pompe:
  - Brancher le tuyau souple sur l'aspiration. Utiliser un tuyau souple de 1,3 cm (1/2 po) (ou plus gros). Veiller à ce que la rondelle dans la garniture d'admission soit hermétique. Si ce joint n'est pas étanche et cause des fuites d'air, la pompe ne fonctionnera pas.
  - Remplir le tuyau d'aspiration d'eau et introduire l'extrémité ouverte du tuyau dans l'eau devant être pompée.

**AVIS** Ne pas permettre au tuyau d'aspiration de reposer dans la saleté ou le sable, sinon la pompe s'usera rapidement.

5. Pour une surface plane attacher le Pud-L-Scoop® à la fin de la ligne d'entrée et le placer à une profondeur minimum en eau de 12,7 mm (1/2 po) au point le plus bas de la zone à pomper. Pour toute autre utilisation, fixez l'écran d'aspiration.
6. S'assurer que la conduite de refoulement est ouverte et dégagée et qu'elle n'est pas pincée ni tortillée. S'assurer que tous les raccords sont étanches.

### Garder les tuyaux souples aussi droits que possible.

Pour réduire le frottement, ne pas enrouler ni pincer les tuyaux souples. Si le pompage est effectué d'un puits ou d'un ruisseau, élever le tuyau d'aspiration de quelques centimètres du fond pour éviter d'aspirer du sable, du limon ou du gravier (les corps étrangers mettront l'impulseur hors d'état). Installer l'accessoire d'aspiration (fourni) de façon à protéger la pompe contre les grosses matières solides. Voir la Figure 3 (pompe typiques montré).

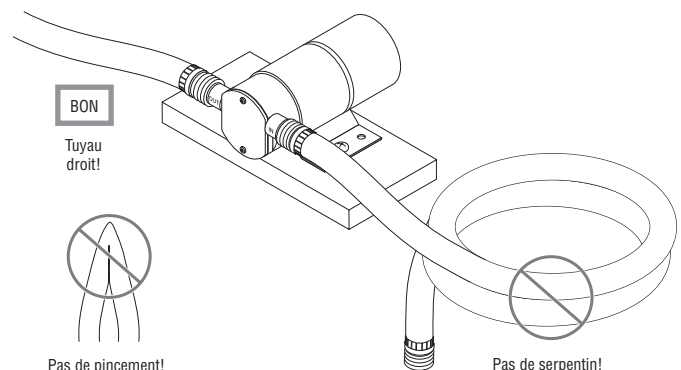


Figure 3 - Garder les tuyaux souples aussi droits que possible.

- Brancher les fils du moteur comme il est indiqué dans le Tableau 1 et comme il est illustré à la Figure 1. La pompe va commencer immédiatement une fois connecté au pouvoir.  
**AVIS** Pour que la pompe puisse fonctionner dans le bon sens, les fils doivent être correctement branchés.
- Courant d'alimentation : La pompe est conçue pour fonctionner sur une batterie de 12 volts en courant continu. Les conditions de fonctionnement de cette pompe exigent une alimentation électrique d'au moins 12 volts.

Brancher la ...	Sur la ...
1. Pince crocodile à poignée rouge	Borne positive (+) de la batterie
2. Pince crocodile à poignée noire	Borne négative (-) de la batterie

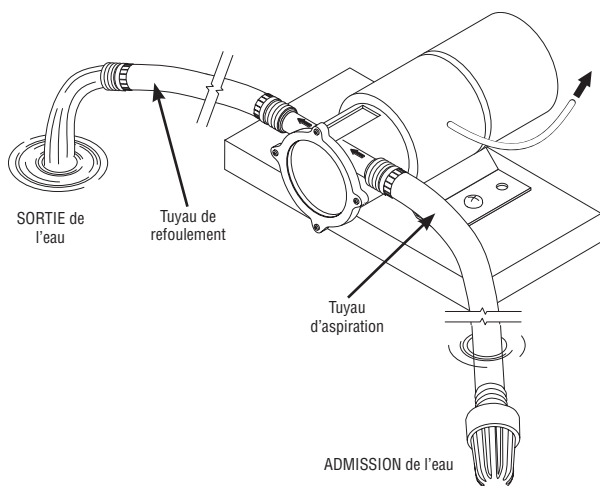
**Tableau 1 – Branchement des câbles**

## Fonctionnement

**AVERTISSEMENT** **Risque de secousses électriques.** Pouvant causer des brûlures, voire la mort. Ne pas manipuler la pompe ni le moteur de la pompe, et ne pas remplacer de fils, si on a les mains humides ou si on se tient debout sur une surface humide ou dans l'eau.

**AVERTISSEMENT** **Risque d'incendie ou d'explosion** pouvant causer de graves blessures, des dommages matériels, voire la mort. Ne pas utiliser cette pompe dans des atmosphères explosives, et ne pomper que de l'eau avec cette pompe.

- Le tuyau d'aspiration va dans l'eau.
- Le tuyau de refoulement reste sorti de l'eau.
- Le moteur doit rester à sec. Voir la Figure 4.



**Figure 4 - Opération typique**

- Le joint de l'arbre et l'impulseur dépendent de l'eau pour la lubrification et le refroidissement. Ne pas faire fonctionner la pompe si elle ne pompe pas d'eau. Le joint de l'arbre sera endommagé si la pompe fonctionne à sec. Remplir le tuyau d'aspiration d'eau avant chaque utilisation. Procéder à cette opération avant de démarrer la pompe.

**AVIS** NE PAS FAIRE fonctionner la pompe à sec, sinon la garantie sera annulée.

- Pour fonctionner adéquatement, le moteur de cette pompe doit être branché sur une batterie de 12 volts en courant continu entièrement chargée.  
**AVERTISSEMENT** **Risque de secousses électriques.** Pouvant causer des brûlures, voire la mort. Avant d'essayer de vérifier pourquoi une pompe s'est arrêtée de fonctionner, la débrancher de la batterie.
- La pompe devra débiter dans les 1 minute ou moins. Si non, assurez-vous que toutes les connexions d'aspiration sont étanches à l'air. La plupart des problèmes d'amorçage sont dues à des fuites d'air dans la ligne d'aspiration. Remplissez le tuyau d'arrivée et de répéter le processus. Si votre pompe ne s'amorce pas sur le deuxième essai, la débrancher de la batterie et se reporter à la section « Recherche des pannes ».  
**AVIS** L'air doit bien circuler autour du moteur pour bien le refroidir. Cette pompe pousse l'eau à 1.8 m (6 pieds) en hauteur; si cette hauteur est dépassée, ceci peut causer la surchauffe du moteur. Le moteur est muni d'une protection automatique contre les surcharges thermiques qui fera arrêter le moteur s'il surchauffe. Si le moteur s'arrête, le laisser refroidir pendant 30 minutes avant d'essayer de le redémarrer.
- Débrancher la pompe avant que toute l'eau soit pompée. Ne pas laisser la pompe fonctionner à sec!

## Rendement

La pompe délivrera 1 325 litres (350 gallons) par heure lorsque le déversement n'est pas obstrué. Si le tuyau de refoulement est obstrué ou relevé et que la pression côté orifice de refoulement de la pompe augmente, moins d'eau sera pompée.

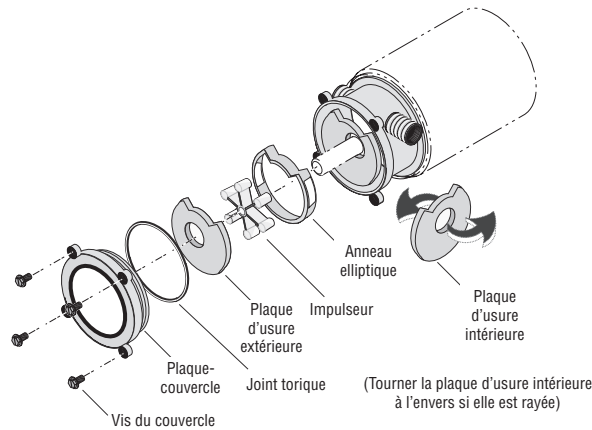
**AVIS** Le moteur de cette pompe est muni de balais. Les inspecter fréquemment et les remplacer lorsqu'ils seront usés.

## Entretien

- Remplacer l'impulseur et l'anneau elliptique toutes les 250 heures de fonctionnement. Voir *Remplacement d'un impulseur*.  
**AVIS** Une utilisation intensive de cette électropompe ou son utilisation dans des conditions abrasives risque de causer l'usure rapide de l'anneau elliptique. L'herbe, la boue, le sable ou le gravillon risquent de provoquer une usure abrasive. Toujours garder l'aspiration de la pompe dégagée.
- Lorsque le pompage est terminé, débrancher les fils de la source d'alimentation électrique pour s'assurer que la pompe est bien arrêtée.

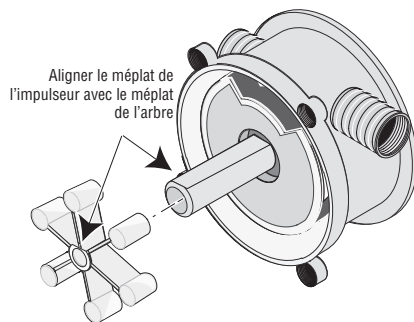
## Remplacement d'un impulseur :

Pour le remplacement de l'impulseur, se reporter à la Figure 5.



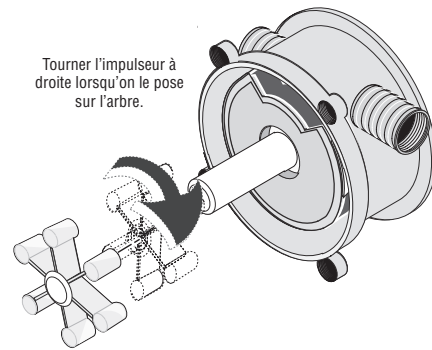
**Figure 5 – Remplacement de l'impulseur.**

1. Desserrer les vis du couvercle, puis les déposer.
2. Déposer la plaque-couvercle et le joint torique.
3. Déposer la plaque d'usure extérieure.
4. Déposer l'impulseur et l'anneau elliptique; les jeter.
5. Examiner la plaque d'usure intérieure à la recherche d'usure. Si elle est usée, la déposer, la tourner à l'envers et la reposer.
6. Lubrifier le diamètre extérieur du nouvel anneau elliptique avec de la graisse de silicone et poser l'anneau.
7. Mettre une petite quantité de la même graisse sur le diamètre intérieur de l'anneau elliptique et sur la surface de la plaque d'usure.
8. Poser l'impulseur neuf. S'assurer d'aligner le méplat de l'impulseur avec le méplat de l'arbre du moteur. Se reporter à la Figure 6.



**Figure 6 – S'assurer d'aligner le méplat de l'impulseur avec le méplat de l'arbre.**

9. Pendant la pose de l'impulseur, le tourner à droite (les ailettes de l'impulseur seront pliées.). Se reporter à la Figure 7.

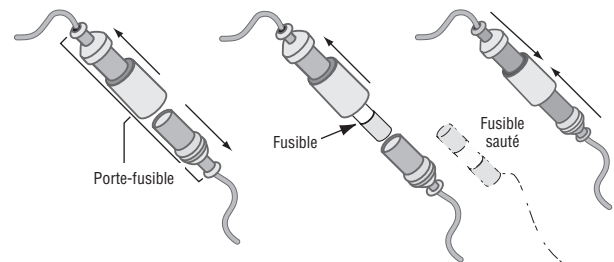


**Figure 7 – Tourner l'impulseur à droite pendant qu'on le pose.**

10. Reposer la plaque d'usure extérieure et le joint torique.
11. Reposer la plaque-couvercle.
12. Reposer les vis et les serrer tout d'abord modérément, puis fermement.

**Pour remplacer le fusible (se reporter à la Figure 8) :**

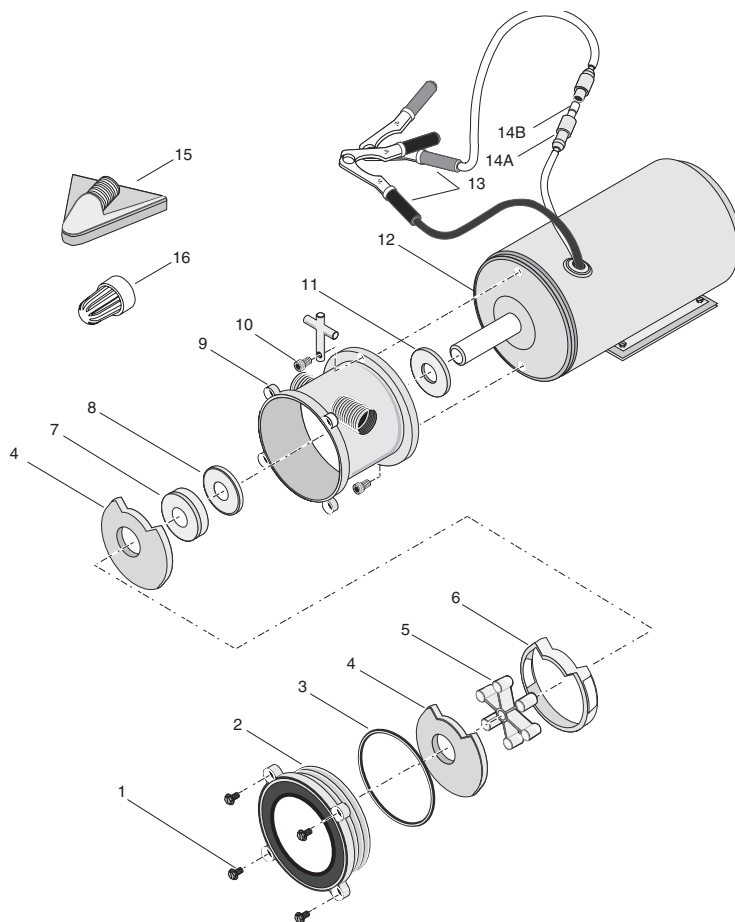
1. Prudemment, séparer le porte-fusible.
2. Remplacer le fusible sauté par un neuf.
3. Remonter le porte-fusible.



**Figure 8 – Remplacement du fusible.**

1. Prudemment, séparer le porte-fusible, puis déposer le fusible sauté (se reporter à l'opération 1).
2. Pousser fermement le fusible neuf dans le porte-fusible (se reporter à l'opération 2).
3. Remonter le porte-fusible (se reporter à l'opération 3).

Incidents	Cause(s) possible(s)	Remèdes
La pompe s'arrête sans avertissement.	La pompe a surchauffé et le dispositif de protection contre les surcharges thermiques s'est déclenché.	Attendre qu'il se réenclenche; la pompe redémarrera automatiquement.
	Le tuyau de refoulement est trop long ou la hauteur de refoulement est supérieure à 28 pieds.	En utiliser un plus court ou abaisser la hauteur.
La pompe ne s'amorce pas.	Le tuyau d'aspiration n'est pas rempli.	Remplir le tuyau d'aspiration (Se reporter à la page 10).
	Le tuyau d'aspiration est trop long ou trop petit.	En utiliser un de 1/2 pouce et de 25 pieds maximum (le plus court possible est préférable).
	L'impulseur est usé.	Remplacer l'impulseur.
	L'aspiration fuit.	Remplacer la rondelle du tuyau; s'assurer que le tuyau ne fuit pas.
	Le tuyau d'aspiration est pincé ou enroulé.	Redresser le tuyau d'aspiration.
La pompe fuit.	La coupelle d'étanchéité de l'arbre fuit.	Remplacer la pompe.
	Le joint torique du couvercle fuit.	Remplacer le joint torique du couvercle.
La pompe fonctionne, mais ne débite que très peu ou pas du tout.	L'impulseur est usé	Remplacer l'impulseur
	Les balais du moteur sont défectueux.	Remplacer les balais du moteur.
	La coupelle d'étanchéité de l'arbre est défectueuse (la pompe fuira).	Remplacer la pompe.
	Le tuyau d'aspiration est pincé ou enroulé.	Redresser le tuyau.



Réf.	Désignation	Qté.	No. de pièce
1	Vis du couvercle	4	†
2	Plaque-couvercle	1	
3	Joint torique	1	
4	Plaque d'usure extérieure	2	
5	Impulseur	1	
6	Anneau elliptique	1	
7	Joint en coupelle	1	
8	Rondelle	1	
9	Corps	1	
10	Vis	2	
11	Défecteur d'eau	1	
12	Moteur*	1	*
13	Cordon électrique	1	992-695
14A	Porte-fusible	1	U17-1148
14B	Fusible (Bussmann ABC-30)	1	344-001
15	Pud-L-Scoop® **	1	FP000349A
16	Malla de aspiración	1	S8-146

† Incluye dans l'Assemblée de tête de pompe (A267)

\* Si le moteur tombe en panne, remplacer toute la pompe.

\*\* Incluye tuyau de jardin de 6 pi. et la rondelle  
Impulseur et Kit d'étanchéité (A270) incluye Réf. 3,4,5,6, et 7.

**Retener el recibo original a fin de determinar la elegibilidad para la garantía**

**Garantía limitada**

Esta Garantía Limitada entra en vigor el 1 de junio de 2011 y sustituye toda garantía sin fecha o garantía con fecha anterior al 1 de junio de 2011. FLOTEC le garantiza al comprador consumidor original (el "Comprador" o "Usted") de sus productos, que éstos estarán libres de defectos en materiales y en mano de obra por un período de doce (12) meses, a partir de la fecha de la compra original del consumidor. Si dentro de los doce (12) meses a partir de la fecha de la compra inicial del consumidor, Será reparado o reemplazado a opción de la FLOTEC, sujeto a los términos y condiciones establecidos en la presente. Tome nota de que esta garantía limitada cubre defectos de manufactura solamente y no el desgaste común. Todos los aparatos mecánicos periódicamente necesitan repuestos y servicio para un funcionamiento correcto. Esta garantía limitada no cubre las reparaciones que se realicen cuando el uso normal haya agotado la vida útil de una pieza o del aparato.

Es necesario retener el recibo de compra original y la etiqueta de información de la garantía a fin de determinar la elegibilidad para la garantía. La elegibilidad se basa en la fecha de compra del producto original - no en la fecha del reemplazo bajo la garantía. La garantía es limitada y cubre solamente la reparación o el reemplazo del producto original adquirido, no del producto reemplazado (es decir que se permite un reemplazo por compra bajo la garantía). El comprador pagará todos los costos de remoción, instalación, mano de obra y envío necesarios, así como todo costo adicional asociado.

Si necesita piezas o resolución de problemas, NO regrese el producto a la tienda minorista. Llame el Servicio a la Clientela de FLOTEC al 1-800-365-6832.

Las reclamaciones hechas bajo esta garantía se realizarán mediante la devolución del producto (a excepción de las bombas cloacales - ver a continuación) al concesionario de venta al público en donde se haya adquirido o a la fábrica, inmediatamente después de haber descubierto cualquier presunto defecto. FLOTEC entonces tomará la medida correctiva tan pronto como sea razonablemente posible. No se aceptarán solicitudes de servicio, si se reciben más de 30 días después del vencimiento de esta garantía.

La garantía no es transferible y no cubre productos utilizados en aplicaciones comerciales o de alquiler.

**Bombas cloacales**

NO devuelva una bomba cloacal (que se haya instalado) a su tienda minorista. Comuníquese con el Departamento de Atención al Cliente de FLOTEC. Las bombas cloacales que hayan estado en servicio y se hayan removido pueden representar un peligro de contaminación.

Si su bomba cloacal ha fallado:

- Use guantes de caucho cuando manipule la bomba;
- Para los fines de la garantía, devuelva la etiqueta del cordón de la bomba y el recibo de compra original a la tienda minorista;
- Descarte la bomba cumpliendo con todas las normas locales que correspondan para su eliminación.

**Excepciones para la Garantía limitada de Doce (12) Meses**

Producto	Período de garantía
FPOF360AC, FPOFDC	90 días
FPOS1775A, FPOS1790PCA, FPOS2400A, FPOS2450A, FPOS4100X, FP2800DCC, FPCP-20ULST, FPPSS3000, FPSC2150A, FPSC3150A, FPSC3350A	2 años
Bombas de pozo sumergibles de 4", FPOS3200A, FPOS3250A, FPOS6000A, FPSC1725X, FPSC2200A, FPSC2250A, FPSE3601A, FPPSS5000	3 años
Tanque precargado del sistema de agua (Serie FP7100), E100ELT, E3305TLT, E3375TLT, E5005TLTT, E50TLT, E50VLT, E75STVT, E75VLT, FPSC3200A, FPSC3250A, FPSC4550A	5 años

**Términos y condiciones generales; Limitación de recursos**

Usted deberá pagar por todos los gastos de mano de obra y de envío necesarios para reemplazar el producto cubierto por esta garantía. Esta garantía no se aplicará en las siguientes situaciones: (1) caso de fuerza mayor (2) productos que, a sólo juicio de FLOTEC hayan sido sometidos a negligencia, abuso, accidente, mala aplicación, manejo indebido o alteraciones; (3) fallas debido a instalación, operación, mantenimiento o almacenamiento inadecuados; (4) aplicaciones, usos o servicios que no sean normales o aprobados; (5) fallas provocadas por corrosión, herrumbre u otros materiales extraños en el sistema, o una operación a presiones que excedan los máximos recomendados.

Esta garantía establece la única obligación de FLOTEC y el recurso exclusivo del Comprador con respecto a los productos defectuosos. FLOTEC NO SE HARÁ RESPONSABLE DE NINGÚN DAÑO—O CONSECUENTE, INCIDENTAL O CONTINGENTE.

LAS GARANTÍAS LIMITADAS QUE ANTECEDEN SON EXCLUSIVAS Y EN LUGAR DE TODA OTRA GARANTÍA EXPLÍCITA E IMPLÍCITA, INCLUYENDO, PERO SIN LIMITARSE A LAS GARANTÍAS IMPLÍCITAS DE COMERCIABILIDAD E IDONEIDAD PARA UN FIN ESPECÍFICO. LAS GARANTÍAS LIMITADAS QUE ANTECEDEN NO SE EXTENDERÁN MÁS ALLÁ DEL PERÍODO DE DURACIÓN INDICADO EN LA PRESENTE.

Algunos Estados no permiten la exclusión o limitación de daños incidentales o consecuentes o de limitaciones de tiempo sobre garantías implícitas, de modo que es posible que las limitaciones o exclusiones que preceden no correspondan en su caso. Esta garantía le otorga derechos legales específicos y es posible que Usted también tenga otros derechos que pueden variar de un Estado al otro.

**FLOTEC • 293 Wright Street • Delavan, WI 53115 U.S.A.**

**Teléfono: 1-800-365-6832 • Fax: 1-800-526-3757 • Sitio Web: flotecwater.com**



## Instrucciones importantes de seguridad

**Guarde estas instrucciones** - Este manual contiene instrucciones importantes que se deben seguir durante la instalación y el mantenimiento del bombas de sumidero.

**▲** Este es un símbolo de alerta sobre la seguridad. Cuando vea este símbolo en su bomba o en este manual, busque para ver si hay alguna de las siguientes palabras de señal y esté alerta a la posibilidad de lesiones personales.

**▲ PELIGRO** indica un riesgo que, de no evitarse, *provocará* la muerte o lesiones de gravedad.

**▲ ADVERTENCIA** indica un riesgo que, de no evitarse, *podría provocar* la muerte o lesiones de gravedad.

**▲ PRECAUCIÓN** indica un riesgo que, de no evitarse, *podría provocar* lesiones leves o moderadas.

**AVISO** hace referencia a una práctica no relacionada con una lesión física.

### Advertencia de la Proposición 65 de California

**▲ ADVERTENCIA** Este producto y accesorios relacionados contienen sustancias químicas reconocidas en el Estado de California como causantes de cáncer, malformaciones congénitas y otros daños al sistema reproductivo.

## Descripción

Esta bomba anticorrosiva, con dirección de flujo reversible, ha sido diseñada para bombear agua solamente.

**▲ ADVERTENCIA** **Riesgo de incendio o de explosión.** Puede causar lesiones graves, daños materiales o muerte. No se debe usar en atmósferas explosivas. No bomba de líquidos inflamables. Esta bomba se debe utilizar solamente para bombear agua.

## Especificaciones

Gama de temperatura del líquido . . . . .35° a 120° F (1,7° a 50° C)

**AVISO** Nunca opere la bomba por más de dos horas por vez. ¡Nunca deje marchar la bomba en seco!

**AVISO** Esta unidad no ha sido diseñada para uso con agua salada o salubre. El uso con agua salada o salubre anulará la garantía.

## Desempeño

Total en pies (m)				
0 (0)	10 (3)	20 (6.1)	30 (9.1)	40 (12.2)
Capacidad en galones (L)/Hora				
450 (1,703)	390 (1,476)	300 (1,136)	225 (852)	130 (492)

## Motores de CC

- Los motores CC deben estar conectados a una batería de automóvil, tractor o marina de la tensión adecuada y completamente cargada.
- La vida útil del motor es de 500 a 1000 horas.

Para mayor información, consulte con su agente de ventas o llame al departamento de servicio al cliente de Flotec, 1-800-365-6832.

## Información general de seguridad

- Esta máquina se debe usar solamente con baterías de automóvil, tractor o marinas, completamente cargadas a 12 voltios de CC.
  - ▲ ADVERTENCIA** **Riesgo de choque eléctrico.** La corriente de la batería puede causar quemaduras graves y comenzar un incendio si hay un corto circuito en la batería.
  - ▲ ADVERTENCIA** **Riesgos de quemaduras.** Las patillas de las baterías, los terminales y los accesorios relacionados contienen plomo y compuestos de plomo - sustancias químicas declaradas cancerígenas y causantes de malformaciones congénitas por el Estado de California. Lávese las manos después de manipular estos elementos.
- Es importante conocer los usos de la bomba, sus limitaciones y posibles peligros.
- No use esta bomba en agua con peces.
- Libere toda la presión dentro del sistema antes de reparar un componente.
- Drene todo el agua del sistema antes de realizar reparaciones.
- Asegure la línea de descarga antes de encender la bomba. Una línea de descarga que no esté bien asegurada puede saltar y causar lesiones personales y/o daños materiales.
- Verifique que las mangueras no estén débiles ni gastadas antes de cada uso, asegurándose de que todas las conexiones estén bien firmes.
- Inspeccione la bomba y los componentes del sistema periódicamente. Manténgalos libres de escombros y objetos foráneos. Realice el mantenimiento de rutina según se requiera. Consulte la sección de *Mantenimiento*.
- Proporcione un medio para liberar la presión en las bombas cuyas líneas de descarga puedan estar cerradas u obstruidas.
- Seguridad personal:
  - Use gafas de seguridad en todo momento cuando trabaje con las bombas.
  - Mantenga la zona de trabajo limpia, despejada y debidamente iluminada.
  - Mantenga a los visitantes a una distancia segura de la zona de trabajo.
  - Asegúrese de que el taller de trabajo sea "a prueba de niños" – con candados, conmutadores maestros y sacando las llaves de encendido.
- Cuando conecte los cables de una bomba de CC, respete todos los códigos eléctricos y de seguridad que correspondan.
- Todos los cables deben ser de cobre trenzado de calibre 12 y:
  - resistentes al agua
  - resistentes al aceite
  - resistentes a las llamas

**AVISO** Esta bomba viene equipada con un motor reversible de 12 voltios CC de tipo imán permanente. Asegúrese de que esté conectado debidamente según se ilustra para la dirección del flujo indicada por medio de las flechas en la caja de la bomba (consulte la Figura 1).

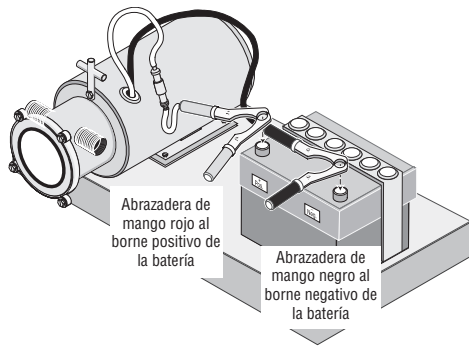


Figura 1 – Conexiones de cables

13. Use conectores aislados de tipo plegado.
14. Proteja los cables eléctricos contra objetos afilados, superficies calientes, aceite y sustancias químicas. Evite enroscar los cables. Cambie o repare todo cable estropeado o gastado inmediatamente.
15. No toque un motor en funcionamiento. Los motores pueden funcionar a temperaturas altas.
16. No se debe manipular la bomba ni el motor de la bomba, ni cambiar los cables con las manos mojadas o cuando se esté parado sobre una superficie mojada o húmeda o en el agua.

**ADVERTENCIA** **Riesgo de choque eléctrico.** Puede provocar choque, quemadura o muerte. No camine sobre un área húmeda. No levante la bomba por el cordón eléctrico.

## Instalación

1. Saque los tapones de plástico de las aberturas de la bomba y coloque la bomba tan cerca de la fuente de suministro de agua como sea posible (cuanto menor sea la distancia, mejor será el desempeño de la bomba).

**AVISO** No asegure la bomba en una posición con el motor mirando hacia abajo. El motor es a prueba de salpicaduras, pero no es impermeable.

**ADVERTENCIA** **Peligro de incendio y de explosión.** Puede causar lesiones graves, daños materiales o muerte. El motor no es a prueba de inflamación. No se debe usar en atmósferas explosivas. No bomba de líquidos inflamables.

2. Asegure la bomba sobre una superficie sólida. La bomba debe estar a menos de 6 pies por encima y a menos de 6 pies a un lado de la fuente de agua.
3. Conecte la manguera de salida. Asegúrese de que la manguera de salida sea lo más corta posible - 25 pies de largo o menos. Consulte la Figura 2 (bomba típica se muestra).

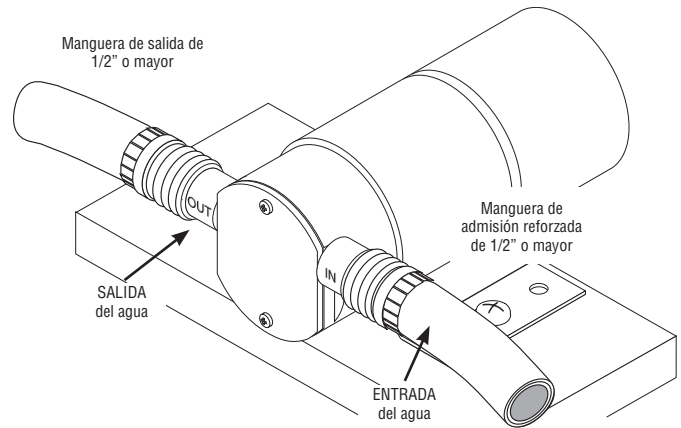


Figura 2 - Conexiones de la manguera

4. Ceba la bomba:
  - Conecte la manguera de admisión. Use una manguera de 1/2" (o mayor) reforzada. Inspeccione la arandela en el accesorio de admisión, para verificar que esté hermético. La bomba no funcionará si hay fugas de aire desde esta unión.
  - Llene la manguera de admisión con agua y coloque el extremo abierto de la manguera en el agua que desee bombear.

**AVISO** No permita que la manguera de admisión esté sobre la tierra o arena ya que puede hacer que la bomba se desgaste con rapidez.

5. Para una superficie plana y coloque la Pud-L-Scoop® al final de la línea de entrada y colóquelo en un mínimo de 1/2" de agua en el punto más bajo de bombeo. Para cualquier otro uso, coloque el filtro de succión.
6. Asegúrese de que la línea de descarga esté abierta y que la línea no esté enroscada ni enrollada. Verifique que todas las conexiones estén herméticas.

### Mantenga las mangueras lo más rectas posibles

Para reducir la fricción, no enrolle ni curve las mangueras. Cuando bombee desde un pozo o desde un arroyo, eleve la manguera de admisión unas pulgadas por encima del fondo, para evitar aspirar arena, sedimentos o guijarros (que pueden descomponer el impulsor). Instale el accesorio de aspiración (incluido) para proteger la bomba contra partículas sólidas grandes. Consulte la Figura 3 (bomba típica).

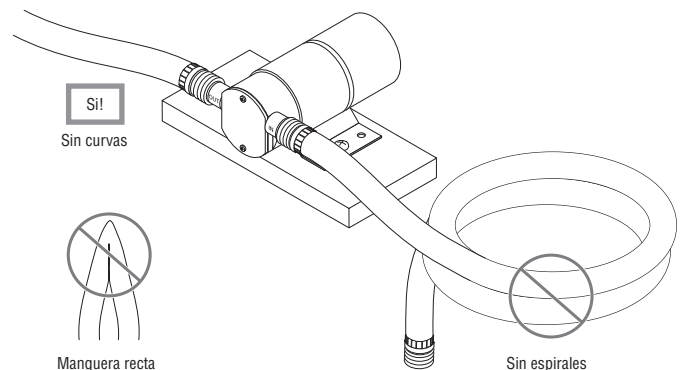


Figura 3 - Mantenga las mangueras lo más rectas posibles

7. Conecte los cables conductores del motor según se indica en la Tabla 1 y se ilustra en la Figura 1. La bomba se iniciará inmediatamente cuando se conecta a la energía.  
**AVISO** Para que la bomba marche en la dirección correcta, se deben conectar los cables en forma correcta.
8. Suministro de corriente: La bomba ha sido diseñada para usarse con una batería de CC de 12 voltios. La operación requiere un mínimo de alimentación de 12 voltios.

Conecte la ...	Al ...
1. Abrazadera con mango rojo de la batería	Borne positivo (+) de la batería
2. Abrazadera con mango negro de la batería	Borne negativo (-) de la batería

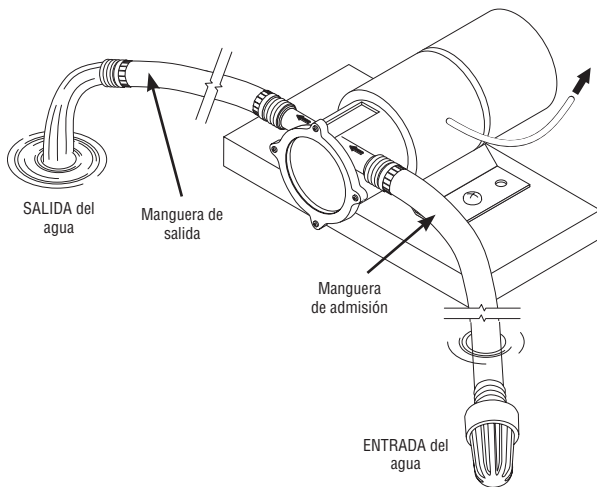
**Tabla 1 – Conexiones de cables**

## Operación

**ADVERTENCIA** **Riesgo de choque eléctrico.** No se debe manipular una bomba o un motor de bomba con las manos mojadas o parado sobre una superficie mojada, húmeda o en el agua.

**ADVERTENCIA** **Riesgo de incendio o de explosión.** Puede causar lesiones graves, daños materiales o muerte. No se debe usar en atmósferas explosivas. Esta bomba se debe utilizar solamente para bombear agua.

- La manguera de admisión va dentro del agua.
- La manguera de salida permanece fuera del agua.
- El motor debe estar seco (consulte Figura 4).



**Figura 4 - Operación típica**

1. La junta del eje y el impulsor dependen del agua para su lubricación y enfriamiento. No haga funcionar la bomba a menos que esté bombeando agua. La junta se estropeará si se permite que la bomba marche en seco. Llene la manguera de admisión con agua antes de cada uso. Esto se debe hacer antes de encender la bomba.  
**AVISO** NO deje que esta bomba marche en seco. Si la bomba marcha en seco, la garantía quedará anulada.

2. El motor de la bomba requiere una batería completamente cargada de 12 V CC para su funcionamiento.  
**ADVERTENCIA** **Riesgo de choque eléctrico.** Puede causar quemaduras o muerte. Antes de tratar de verificar por qué la unidad ha dejado de funcionar, desconecte la batería de la unidad.
3. Deberá obtener agua en 1 minuto o menos, verifique que todas las conexiones de admisión estén herméticas (sin fugas de aire) y que la manguera de admisión esté dentro del agua. La mayoría de los problemas de cebado se deben a fugas de aire en la línea de succión. Vuelva a llenar la manguera y repita el proceso. Si su bomba no ceba en la segunda tentativa, desconecte la bomba de la batería y consulte la sección de *Localización de fallas*.  
**AVISO** El motor debe tener circulación de aire a su alrededor para enfriarse debidamente. Esta bomba levantará agua a 6 pies de altura; si se trata de levantar agua a más de 6 pies, el motor funcionará demasiado caliente. El motor posee un interruptor de sobrecarga térmica que lo detiene si se calienta demasiado. Si el motor se detiene, permita que se enfríe durante 30 minutos antes de volver a encenderlo.
4. Desenchufe la bomba antes de que se haya agotado toda el agua. ¡No permita que la bomba funcione en seco!

## Rendimiento

La bomba entregará 350 galones /1325 litros por hora con una tubería de descarga no restringida. Si la tubería de descarga está restringida o elevada y aumenta la presión en el orificio de salida de la bomba, ésta bombeará menos agua.

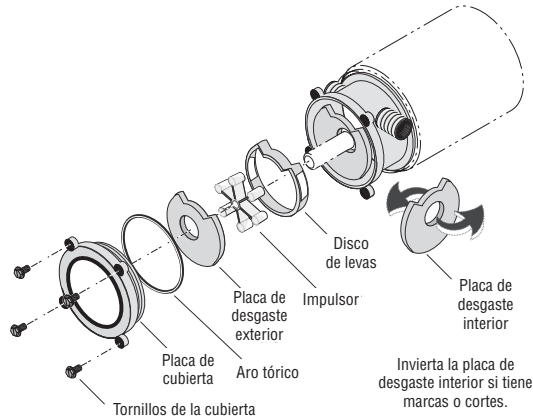
**AVISO** El motor de esta bomba tiene escobillas. Inspeccione las escobillas con frecuencia y cámbielas si están gastadas.

## Mantenimiento

1. Cambie el impulsor y el disco de levas cada 250 horas de uso. Consulte *Cambio del impulsor*.  
**AVISO** Un uso riguroso o abrasivo puede gastar el disco de levas rápidamente. Césped, lodo, arena y gravilla pueden causar desgaste abrasivo. Mantenga la admisión de la bomba despejada.
2. Cuando haya terminado de bombear, desconecte los cables de la fuente de corriente para asegurarse de que la unidad esté apagada.

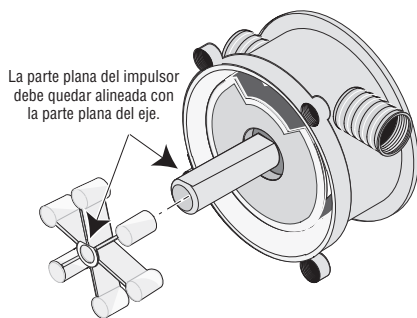
## Cambio del impulsor:

Consulte la figura 5 para el cambio del impulsor.



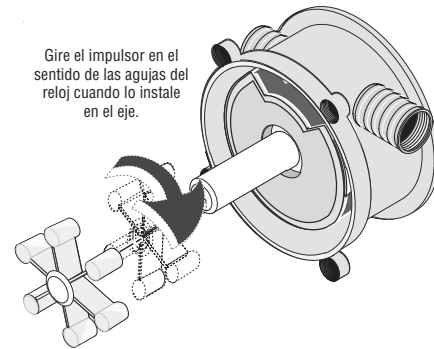
**Figura 5 – Cambio del impulsor.**

1. Afloje y saque los tornillos de la cubierta.
2. Saque la placa de cubierta y el aro tórico.
3. Saque la placa de desgaste exterior.
4. Saque el impulsor y el disco de levas usados y descártelos.
5. Examine el desgaste en la placa de desgaste interior. Si está gastada, sáquela, inviértala y vuelva a instalarla.
6. Engrase el diámetro exterior del nuevo disco de levas con grasa de silicona y proceda con la instalación.
7. Coloque una pequeña cantidad de la misma grasa en el diámetro interior del disco de levas y en la superficie de la placa de desgaste.
8. Instale el nuevo impulsor. Asegúrese de que la parte plana del impulsor quede alineada con la parte plana del eje. Consulte la figura 6.



**Figura 6 – Asegúrese de que la parte plana del impulsor quede alineada con la parte plana del eje.**

9. Gire el impulsor en el sentido de las agujas del reloj mientras lo esté instalando (las hojas del impulsor estarán dobladas). Consulte la figura 7.

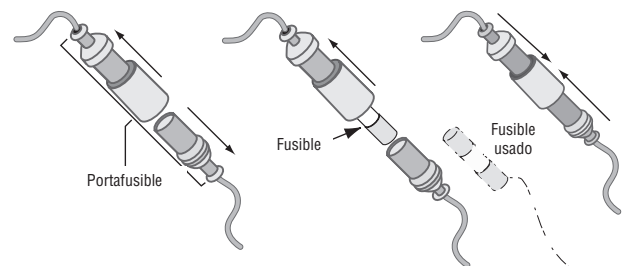


**Figura 7 – Gire el impulsor en el sentido de las agujas del reloj durante la instalación.**

10. Vuelva a instalar la placa de desgaste exterior y el aro tórico.
11. Vuelva a instalar la placa de cubierta.
12. Vuelva a instalar los tornillos. Apriete los tornillos primero moderadamente y después ajústelos bien.

## Cambio del fusible (Consulte la figura 8):

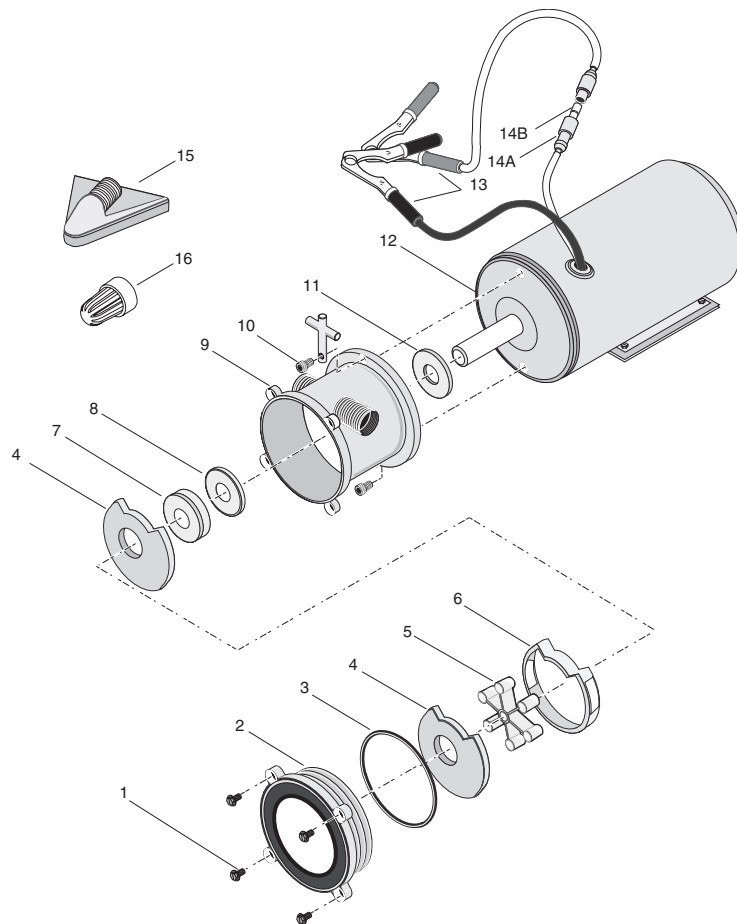
1. Separe el portafusible delicadamente.
2. Reemplace el fusible usado por uno nuevo.
3. Vuelva a armar el portafusible.



**Figura 8 – Cambio del fusible.**

1. Separe el portafusible delicadamente y saque el fusible usado (consulte el paso 1).
2. Empuje el nuevo fusible con firmeza hacia arriba y hacia adentro del portafusible (consulte el paso 2).
3. Vuelva a armar el portafusible (consulte el paso 3).

Síntoma	Causa(s) probable(s)	Medida correctiva
La bomba se detiene sin advertencia.	La bomba se ha recalentado activando el dispositivo de protección contra sobrecarga térmica.	Esperar hasta que el dispositivo de protección contra sobrecarga térmica se repositone; la bomba se volverá a encender automáticamente.
	La manguera de descarga es demasiado larga o la altura de descarga es mayor que 28 pies.	Usar una manguera más corta o reducir la altura.
La bomba no ceba	La manguera de aspiración no está llena.	Llenar la manguera de aspiración (consultar la página 16).
	La manguera de aspiración es demasiado larga o demasiado pequeña.	Usar una manguera de aspiración de 1/2", de 25 pies o menos de largo (cuanto más corta sea la manguera, mejor).
	El impulsor está gastado.	Reemplazar el impulsor.
	Hay fugas en la aspiración.	Reemplazar la arandela de la manguera, verificar que no haya fugas en la manguera.
	La manguera de aspiración está torcida o enrollada.	Enderezar la manguera de aspiración.
La bomba tiene fugas.	La junta de estanqueidad en forma de U del eje tiene fugas.	Reemplazar la bomba.
	El aro tórico de la cubierta tiene fugas.	Reemplazar el aro tórico de la cubierta.
La bomba funciona pero bombea poco o nada de agua.	Impulsor gastado.	Reemplazar el impulsor.
	Malos cepillos del motor.	Reemplazar los cepillos del motor.
	Mala junta de estanqueidad en forma de U del eje (la bomba tendrá fugas).	Reemplazar la bomba.
	La manguera de aspiración o de descarga está torcida o enrollada.	Enderezar la manguera.



Ref.	Descripción de la pieza	Cant.	Número de pieza
1	Tornillo, cubierta	4	†
2	Placa de cubierta	1	
3	Aro tórico	1	
4	Placa de desgaste exterior	2	
5	Impulsor	1	
6	Disco de levas	1	
7	Sello, copa en U	1	
8	Arandela	1	
9	Cuerpo de la caja	1	
10	Tornillo	2	
11	Deflector de agua	1	
12	Motor	1	*
13	Juego de cordones	1	992-695
14A	Portafusible	1	U17-1148
14B	Fusible (Bussmann ABC-30)	1	344-001
15	Pud-L-Scoop® **	1	FP000349A
16	Manguera de admisión	1	S8-146

† Incluido en el cabezal de la bomba de la Asamblea (A267)

\* Si falla el motor, cambie la bomba.

\*\* Incluye una manguera de 6' jardín y la arandela  
Impulsor y el Juego de juntas (A270) incluye ref. 3,4,5,6 y 7.



