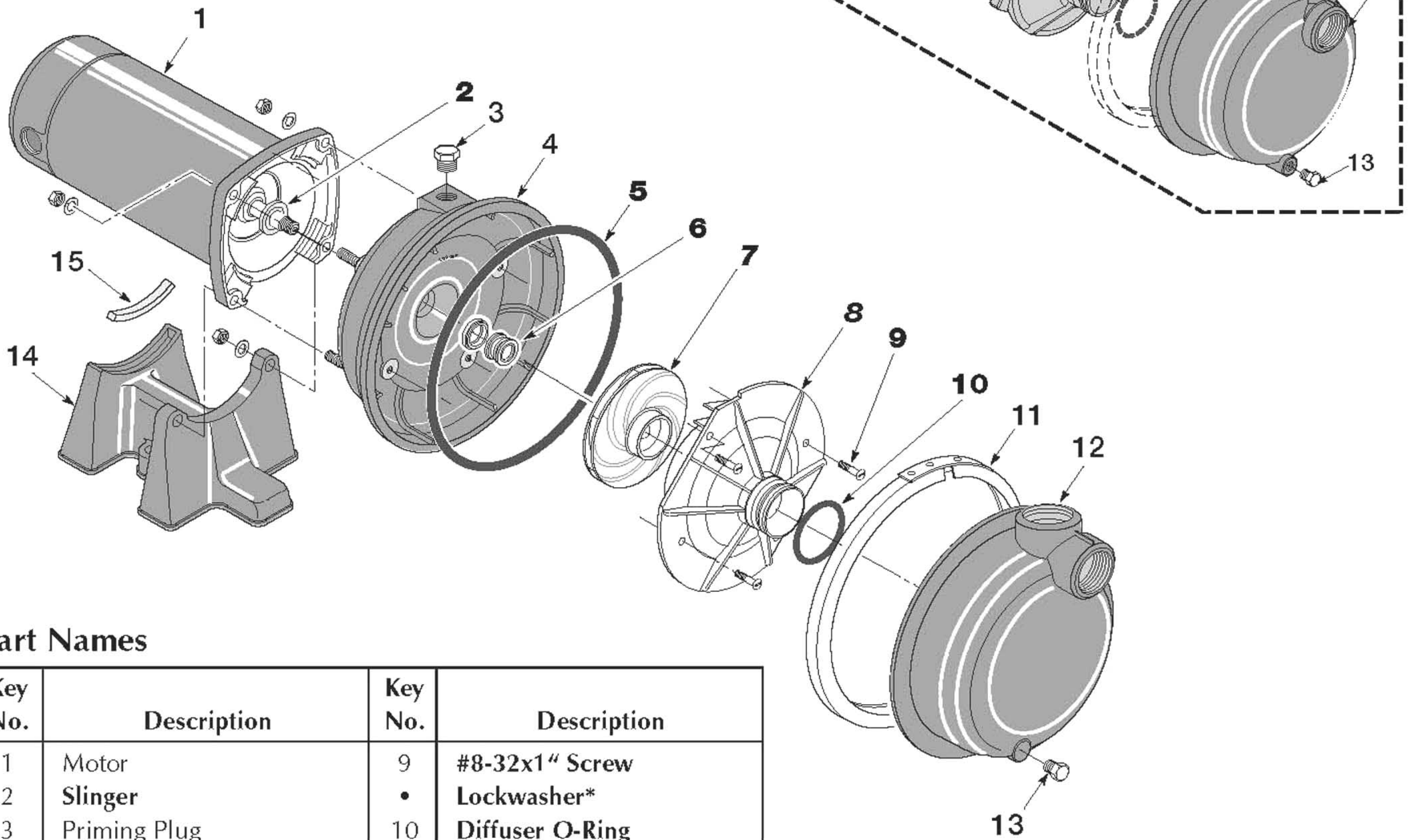


Models
 FP5192-08
 FP5162-08
 FP5172-08
 FP5182-08
 FP5182-08C



Part Names

Key No.	Description	Key No.	Description
1	Motor	9	#8-32x1" Screw
2	Slinger	•	Lockwasher*
3	Priming Plug	10	Diffuser O-Ring
4	Seal Plate	11	Clamp
5	O-Ring	12	Pump Body
6	Shaft Seal	13	Drain Plug
7	Impeller	14	Base
8	Diffuser	15	Motor Pad

***Models FP5182-08 and FP5182-08C only.**

Parts in **Bold Face** are included in Seal and Gasket Kit and in Overhaul Kit.

Parts in **Bold Face Italics** are included in Overhaul Kit only.

Key No.	Part Description	FP5162-08 1 HP	FP5172-08 1-1/2 HP	FP5182-08 2 HP
		115V/230V 60 Hz/1 Ph		230V 60 Hz/1 Ph
1	Motor	J218-596PKG	J218-601PKG	J218-883APKG
4	Seal Plate Complete	L176-47P1	L176-47P1	C103-189P
11	"V" Clamp	C19-54SS	C19-54SS	C19-37A
12	Pump Body Front Half	C176-53P	C176-53P	C176-62P
14	Base	C4-42P	C4-42P	C4-42P
•	Seal and Gasket Kit	FPP5000	FPP5000	FPP5000
•	Overhaul Kit	FPP5001	FPP5002	FPP5008
	Includes Items 2, 5, 6, 9, & 10 . See "Part Names," above.			
	Includes all items in Seal and Gasket Kit plus Item 7, impeller , and 8, diffuser . See "Part Names," above.			