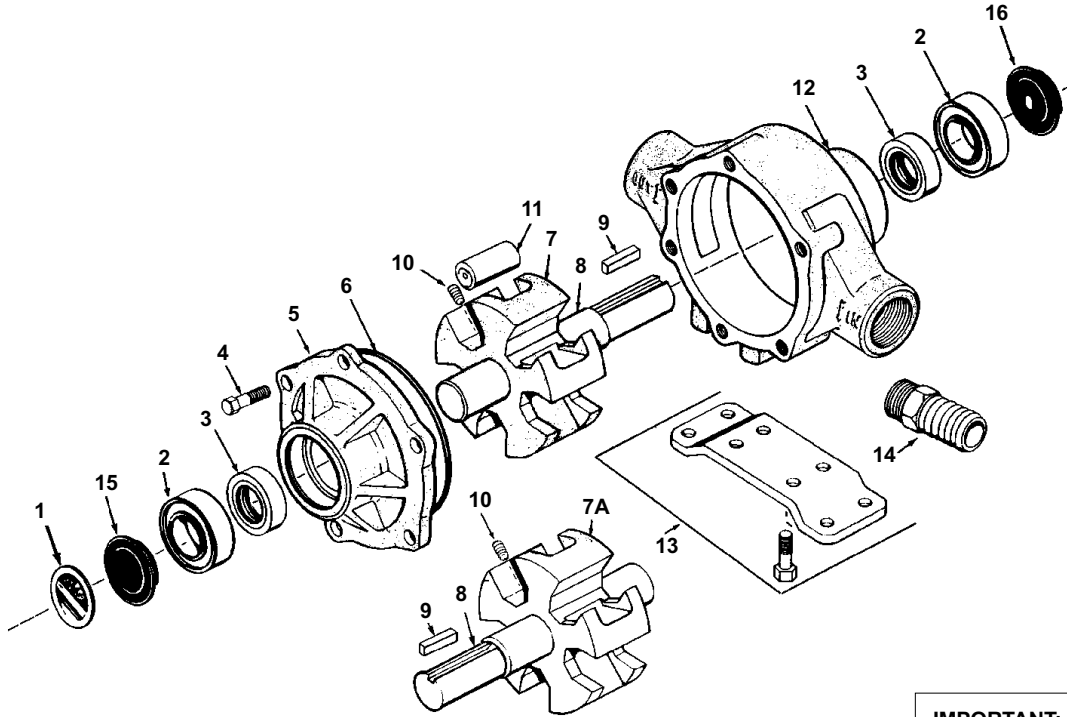


Models 1700C, 1700N, and 1700XL



IMPORTANT:
When ordering parts, give PART NUMBER and PART DESCRIPTION. Reference Numbers are used ONLY to point out parts in the drawing and are NOT to be used as ordering numbers.

| Ref. No. | Qty. Req'd. | Part Number | Description |
|----------|-------------|-------------|---|
| 1 | 1 | 6031-0258 | Name Plate (Specify Pump Model #) |
| 2 | 2 | 2008-0001 | Sealed Ball Bearing |
| 3 | 2 | 2112-0003 | Viton Seal (Standard) |
| 3 | 2 | 2112-0001 | Buna-N Seal (Optional) |
| 4 | 6 | 2210-0005 | Bolt |
| 5 | 1 | 0200-1700C | Endplate (Cast Iron) with Seal |
| 5 | 1 | 0200-1700N | Endplate (Ni-Resist) with Seal |
| 5 | 1 | 0200-1700X | Endplate (SilverCast) with Seal |
| 6 | 1 | 1720-0099 | O-ring Gasket for Endplate |
| 7 | 1 | 0300-1700C | Rotor (Cast Iron) with shaft (Std. Rotation) |
| 7 | 1 | 0300-1700N | Rotor (Ni-Resist) with shaft (Std. Rotation) |
| 7 | 1 | 0300-1700X | Rotor (SilverCast) with shaft (Std. Rotation) |
| 7A | 1 | 0301-1700C | Rotor (Cast Iron) w/shaft (Reverse Rot.) |
| 7A | 1 | 0301-1700N | Rotor (Ni-Resist) w/shaft (Reverse Rot.) |
| 7A | 1 | 0301-1700X | Rotor (SilverCast) w/shaft (Reverse Rot.) |

| Ref. No. | Qty. Req'd. | Part Number | Description |
|----------|-------------|-------------|---|
| 8 | 1 | 0500-1502 | Shaft Only |
| 9 | 1 | 1610-0005 | Key |
| 10 | 1 | 2230-0018 | Set Screw |
| 10 | 1 | 2230-0034 | Set Screw (SilverCast Only) |
| 11 | 5 | 1005-0005 | Super Roller (Standard) |
| 11 | 5 | 1002-0005 | Polypropylene Roller (Optional) |
| 11 | 5 | 1055-0005 | Teflon Roller (Optional) |
| 12 | 1 | 0100-1700C | Body (Cast Iron) with Seal |
| 12 | 1 | 0100-1700N | Body (Ni-Resist) with Seal |
| 12 | 1 | 0100-1700X | Body (SilverCast) with Seal |
| 13 | 1 kit | 3420-0010 | Base Kit — Sold Separately Includes: (1) Base and (4) Bolts |
| 14 | 1 | 2404-0191 | 1-1/4" Hose Barb |
| 15 | 1 | 2300-0020 | Bearing Cover |
| 16 | 1 | 2300-0022 | Shaft Bearing Cover |

See Page 17 for the proper coupler or adapter.

Repair Parts Kit No. 3430-0437 Consists of: (5) Ref. 11 Super Rollers, (1) Ref. 6 O-Ring Gasket, and (2) Ref. 3 Viton Seals.

Repair Parts Kit No. 3430-0383 (Universal) Consists of: (6) Ref. 11 Super Rollers, (2) Ref. 6 O-Ring Gaskets, and (2) Ref. 3 Viton Seals.

Repair Parts Kit No. 3430-0160 Consists of: (5) Ref. 11 Polypropylene Rollers and (1) Ref. 6 O-Ring Gasket, and (2) Ref. 3 Buna-N Seals.

Repair Parts Kit No. 3430-0161 Consists of: (5) Ref. 11 Polypropylene Rollers and (1) Ref. 6 O-Ring Gasket, and (2) Ref. 3 Viton Seals.

Repair Parts Kit No. 3430-0407 Consists of: (5) Ref. 11 Super Rollers, (1) Ref. 6 O-Ring Gasket, (2) Ref. 3 Viton Seals and (2) Ref. 2 Sealed Ball Bearings.