

# Epoxy-Lined Standard Tanks

Vertical or Horizontal Design

## Typical Applications

Replaces any standard galvanized, glass-lined or epoxy-lined tank for applications such as retention tanks, holding tanks and pressure tanks

## Precision Press Fit Design

Minimizes gaps between components, reducing corrosion and seam leaks

## Heavy-Gauge All-Steel Construction

Tough appliance-like finish for extended life

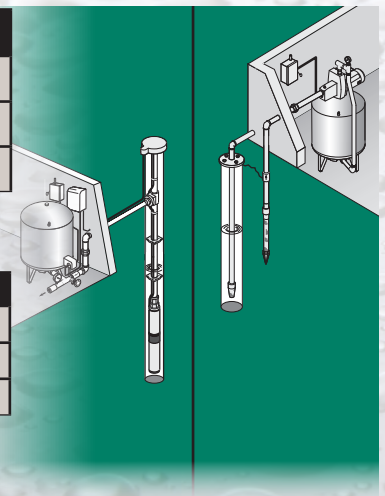


**42 GAL** FP7235

**30 GAL** FP7230  
FP7210 (Horizontal)

MODEL	TANK SIZE	STYLE	DIAMETER	HEIGHT	LENGTH	PIPING SIZE
<b>FP7235</b>	42 gallons	Vertical	20"	36"	N/A	1-1/4"
<b>FP7210</b>	30 gallons	Horizontal	16"	17-1/2"	36-1/2"	3/4"
<b>FP7230</b>	30 gallons	Vertical	16"	53-1/2"	N/A	1-1/4"

MODEL	WARRANTY	UPC	CARTON DIMENSIONS	PALLET QTY.	WEIGHT
<b>FP7235</b>	1 YEAR	022315135901	20.813" x 20.813" x 37.938"	4	58 LBS.
<b>FP7210</b>	1 YEAR	022315364783	37.813" x 16.313" x 17.938"	6	51 LBS.
<b>FP7230</b>	1 YEAR	022315101234	16.813" x 16.813" x 54.813"	6	56.3 LBS.



Includes:

Detailed owner's manual