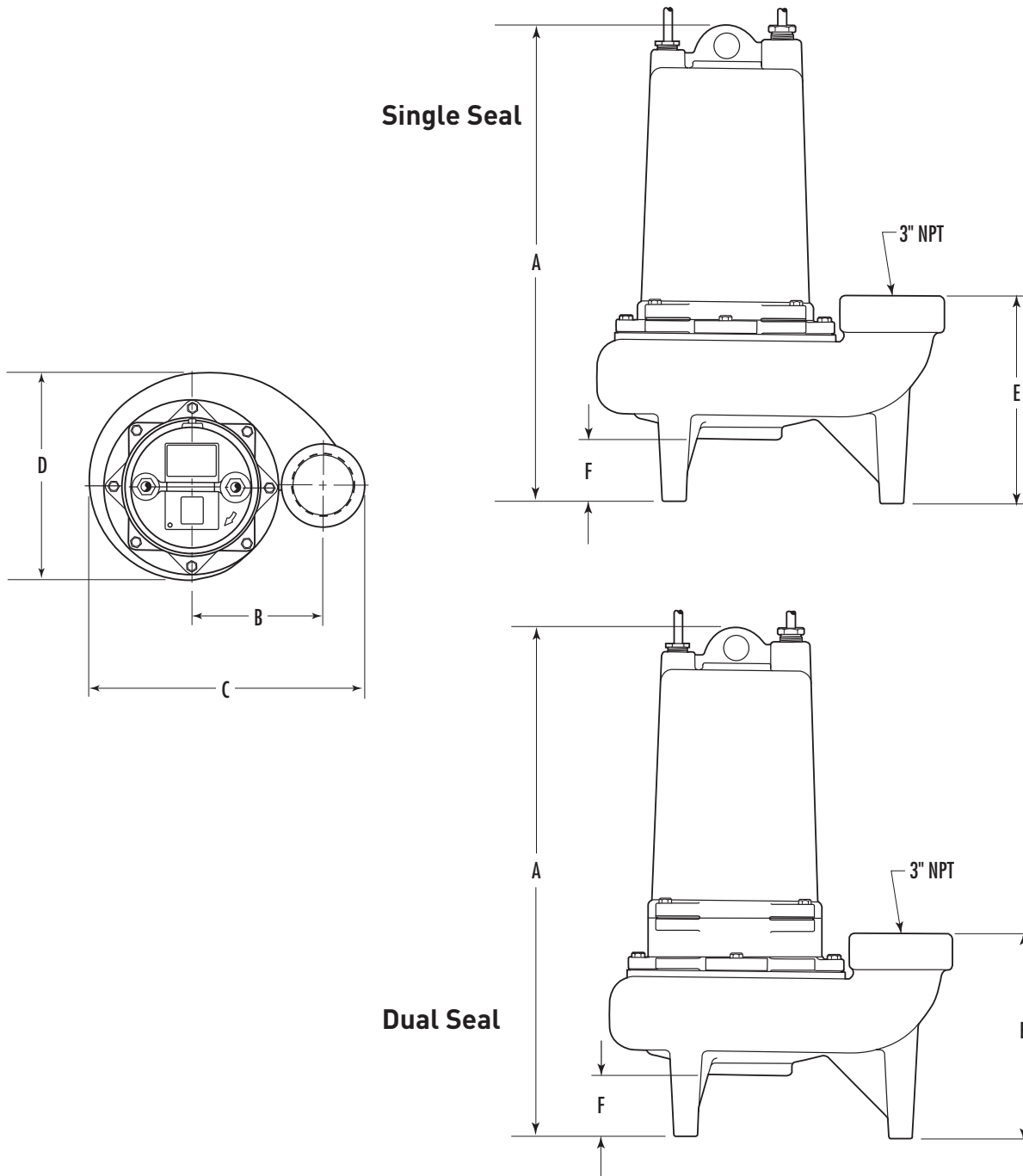


# Dimensional Data – S3W-1750 RPM



	<b>A</b>	<b>B</b>	<b>C</b>	<b>D</b>	<b>E</b>	<b>F</b>
<b>S3W – Single Seal</b>	21	7-3/8	15-7/16	11-1/2	9-1/8	2-3/4
<b>S3W – Dual Seal</b>	22-3/4	7-3/8	15-7/16	11-1/2	9-1/8	2-3/4

ALL DIMENSIONS IN INCHES  
 NOTE: CASTING DIMENSIONS MAY VARY ± 1/8"