



OWNER'S MANUAL

# Submersible Solids Handling Pumps

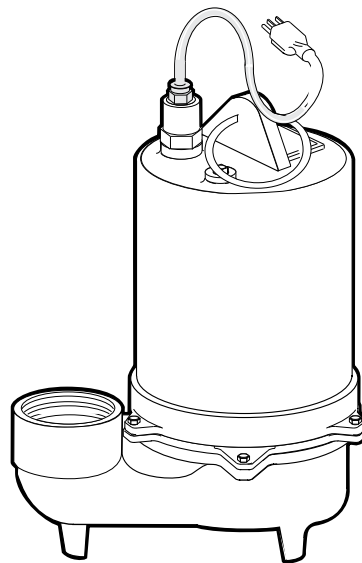
NOTICE D'UTILISATION

## Pompes de puisard submersibles pour matières solides

MANUAL DEL USUARIO

## Bombas sumergibles para el manejo de partículas sólidas

# HYDROMATIC®



**SHEF42M1, SHEF42A1**

### Installation/Operation/Parts

For further operating, installation, or maintenance assistance:

**Call 1-888-957-8677**

**English . . . . .Pages 2-8**

### Installation/Fonctionnement/Pièces

Pour plus de renseignements concernant l'utilisation, l'installation ou l'entretien :

**Composer le 1 (888) 957-8677**

**Français . . . . .Pages 10-16**

### Instalación/Operación/Piezas

Para mayor información sobre el funcionamiento, instalación o mantenimiento de la bomba:

**Llame al 1-888-957-8677**

**Español . . . . .Paginas 18-24**

## Important Safety Instructions

SAVE THESE INSTRUCTIONS - This manual contains important instructions that should be followed during installation, operation, and maintenance of the product. Save this manual for future reference.

**⚠** This is the safety alert symbol. When you see this symbol on your pump or in this manual, look for one of the following signal words and be alert to the potential for personal injury!

**⚠ DANGER** indicates a hazard which, if not avoided, will result in death or serious injury.

**⚠ WARNING** indicates a hazard which, if not avoided, could result in death or serious injury.

**⚠ CAUTION** indicates a hazard which, if not avoided, could result in minor or moderate injury.

**NOTICE** addresses practices not related to personal injury.

**Carefully read and follow all safety instructions in this manual and on pump.**

Keep safety labels in good condition. Replace missing or damaged safety labels.

1. Read these rules and instructions carefully. Failure to follow them could cause serious bodily injury and/or property damage.
2. Check your local codes before installing. You must comply with their rules.
3. Vent sewage or septic tank according to local codes.
4. Do not install pump in any location classified as hazardous by National Electrical Code, or the Canadian Electrical Code.
5. **⚠ WARNING Risk of electric shock.** Can shock, burn or kill. During operation the pump is in water. To avoid fatal shocks, proceed as follows if pump needs servicing:
  - Disconnect power to outlet box before unplugging pump.
  - Take extreme care when changing fuses. Do not stand in water or put your finger in the fuse socket.
  - Do not modify the cord and plug. When using the cord and plug, plug into a grounded outlet only. When wiring to a system control, connect the pump ground lead to the system ground.

6. Do not run the pump dry. Dry running can overheat the pump, (causing burns to anyone handling it) and will void the warranty.
7. The pump normally runs hot. To avoid burns when servicing pump, allow it to cool for 20 minutes after shut-down before handling it.
8. The pump is permanently lubricated. No oiling or greasing is required in normal operation. For overhaul, see instructions under *Maintenance*.

### California Proposition 65 Warning

**⚠ WARNING** This product and related accessories contain chemicals known to the State of California to cause cancer, birth defects or other reproductive harm.

### Description

These submersible sump/effluent and sewage pumps are designed for effluent and wastewater removal, sump drainage, dewatering, flood control, and so forth. Units have built in thermal overload protection with automatic reset. The mechanical seal and ball bearings on the motor shaft are permanently lubricated. Stainless steel hardware and a heavy duty lift out ring allow for easy disassembly after extended use.

**NOTICE** This unit is not designed as a waterfall or fountain pump, or for applications involving salt water or brine! Use with waterfalls, fountains, salt water or brine will void warranty.

Do not use where water recirculates.

### Specifications

Power supply required. . . See *Motor, Switch and Cord Specifications*

Motor duty . . . . . Continuous\*\*

Maximum Liquid Temperature. . . . . 130 °F (55 °C)

\*\* For continuous duty pump must be fully submerged in a liquid with a maximum temperature of 105° F (40.5° C).

### Performance

Model	GPM At Total Feet						No flow at height shown below
	5	10	15	20	25	30	
	Capacity Gallons/Minute						
SHEF42M1	61	52	45	38	30	21	40
SHEF42A1	61	52	45	38	30	21	40

## Motor, Switch, & Cord Specifications

Model	Motor HP	Voltage	Full Load Amps	Individual Branch Circuit Required (Amps)	Cord Length in ft. (m)	Switch Setting in Inches (mm)		Discharge Size
						On	Off	
SHEF42M1	4/10	115/1	9.7	15	20 (6.1) or 30 (9.1)	N/A		2"
SHEF42A1					20 (6.1)	16.5 (419)	7.5 (191)	

## Limited Warranty

HYDROMATIC warrants to the original consumer purchaser ("Purchaser" or "You") of HYDROMATIC Sump Pumps, Effluent Pumps, Sewage Pumps (other than 2-1/2"), and Package Systems, that they will be free from defects in material and workmanship for the Warranty Period of 36 months from date of manufacture.

Our warranty will not apply to any product that, in our sole judgement, has been subject to negligence, misapplication, improper installation, or improper maintenance. Without limiting the foregoing, operating a three phase motor with single phase power through a phase converter will void the warranty. Note also that three phase motors must be protected by three-leg, ambient compensated, extra-quick trip overload relays of the recommended size or the warranty is void.

Your only remedy, and HYDROMATIC's only duty, is that HYDROMATIC repair or replace defective products (at HYDROMATIC's choice). You must pay all labor and shipping charges associated with this warranty and must request warranty service through the installing dealer as soon as a problem is discovered. No request for service will be accepted if received after the Warranty Period has expired. This warranty is not transferable.

EXCEPTIONS: Hydromatic Special Application Pumps, Battery Back-Up Sump Pumps, Filtered Effluent Pumps, Grinder Pumps, and 2-1/2" Sewage Pumps are warranted for a period of 12 months from date of purchase or 18 months from date of manufacture, whichever comes first.

HYDROMATIC SHALL NOT BE LIABLE FOR ANY CONSEQUENTIAL, INCIDENTAL, OR CONTINGENT DAMAGES WHATSOEVER.

THE FOREGOING LIMITED WARRANTIES ARE EXCLUSIVE AND IN LIEU OF ALL OTHER EXPRESS AND IMPLIED WARRANTIES, INCLUDING BUT NOT LIMITED TO IMPLIED WARRANTIES OF MERCHANTABILITY AND FITNESS FOR A PARTICULAR PURPOSE. THE FOREGOING LIMITED WARRANTIES SHALL NOT EXTEND BEYOND THE DURATION PROVIDED HEREIN.

Some states do not allow the exclusion or limitation of incidental or consequential damages or limitations on the duration of an implied warranty, so the above limitations or exclusions may not apply to You. This warranty gives You specific legal rights and You may also have other rights which vary from state to state.

This Limited Warranty is effective June 1, 2011 and replaces all undated warranties and warranties dated before June 1, 2011.

**HYDROMATIC**

**293 Wright Street, Delavan, WI 53115**

**Phone: 888-957-8677 • Fax: 800-426-9446 • Web Site: [hydromatic.com](http://hydromatic.com)**

**⚠️ WARNING Risk of electric shock.** Can shock, burn or kill. Do not lift pump by the power cord. See *Cord Lift Warning*.

**NOTICE** Install the pump on a hard, level surface (cement, asphalt, etc.). Never place the pump directly on earth, clay or gravel surfaces.

## Piping

Piping must not be smaller than pump discharge.

When installed in a sewage system, the pipe must be capable of handling semi-solids of at least 2" (51mm) in diameter.

When installed in an effluent system, the pipe must be capable of handling semi-solids of at least 3/4" (19mm) in diameter.

The rate of flow in the discharge pipe must keep any solids present in suspension in the fluid. To meet minimum flow requirements (2 feet per second in the discharge line), size the pipe as follows:

A Pipe Size Of:	Will Handle a Flow Rate Of:
1-1/2" (38mm)	12 GPM
2" (51mm)	21 GPM
2-1/2" (64mm)	30 GPM
3" (76mm)	48 GPM

**In a sewage system** use a 2" (51mm) check valve (not included) in pump discharge to prevent backflow of liquid into sump basin. The check valve should be a free flow valve that will easily pass solids. Be sure check valve installation complies with local codes.

**In an effluent system** use a 1-1/2" (38mm) check valve (not included) in pump discharge to prevent backflow of liquid into sump basin. The check valve should be a free flow valve that will easily pass solids. Be sure check valve installation complies with local codes.

**NOTICE** For best performance of check valve when handling solids, do not install it with the discharge more than 45° above the horizontal. Do not install the check

valve in a vertical position as solids may settle in the valve and prevent it from opening on startup.

Drill a 3/16" (5mm) hole in the discharge pipe about 1–2" (25–51mm) above the pump discharge connection (but below check valve) to prevent airlocking the pump.

## Electrical


**⚠️ WARNING Risk of electric shock.** Can shock, burn or kill. When installing, operating, or servicing this pump, follow the safety instructions listed below.

- DO NOT splice the electrical power cord.
- DO NOT allow the electrical cord plug to be submerged.
- DO NOT use extension cords. They are a fire hazard and can reduce voltage sufficiently to prevent pumping and/or damage motor.
- DO NOT handle or service the pump while it is connected to the power supply.
- DO NOT remove the grounding prong from the plug or modify the plug. To protect against electrical shock, the power cord is a three-wire conductor and includes a 3-prong grounded plug. Plug the pump into a 3-wire, grounded, grounding-type receptacle. Connect the pump according to the NEC or CEC and local codes.

For automatic operation, plug or wire the pump into an automatic float switch or duplex controller. The pump will run continuously when plugged directly into an electrical outlet.

Connect or wire pump to its own individual branch circuit with no other outlets or equipment in the circuit. Size fuses or circuit breakers according to *Motor, Switch and Cord Specifications*.


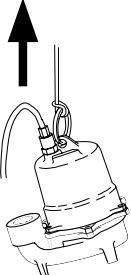
**⚠️ WARNING Risk of electric shock.** Can shock, burn or kill. Be sure that power supply information (Voltage/ Hertz/Phase) on pump motor nameplate matches incoming power supply exactly. Install pump according to all electrical codes that apply.



**⚠️ WARNING**

**Risk of electrical shock.**  
Can burn or kill.  
Do not lift pump by power cord.

### Cord Lift Warning

- Attempting to lift or support pump by power cord can damage cord and cord connections.
- Cord may pull apart, exposing bare wires with possibility of fire or electrical shock.
- Lifting or supporting pump by power cord will void warranty.
- Use lifting ring or handle on top of pump for all lifting/lowering of pump. Disconnect power to pump before doing any work on pump or attempting to remove pump from sump.

## Operation

**▲WARNING Risk of fire and explosion.** Can cause severe injury, property damage or death. Do not use in explosive atmospheres. Pump water only with this pump.

**NOTICE** Do not allow the pump to run in a dry sump. It will void the warranty and may damage the pump.

An automatic overload protector in the motor will protect the motor from burning out due to overheating/overloading. When the motor cools down, the overload protector will automatically reset and start the motor.

If the overload trips frequently, check for the cause. It could be a stuck impeller, wrong/low voltage, or an electrical failure in the motor. If an electrical failure in the motor is suspected, have it serviced by a competent repairman.

The pump is permanently lubricated. No oiling or greasing is required.

## Maintenance

### General

**▲WARNING Risk of electric shock.** Can shock, burn or kill. Before removing the pump from the basin for service, always disconnect electrical power to the pump and the control switch. Do not lift the pump by the power cord. See *Cord Lift Warning*.

After removing the basin cover and the necessary discharge piping, lift the pump out of the basin.

Place the pump in an area where it can be cleaned thoroughly. Remove all scale and deposits on the pump.

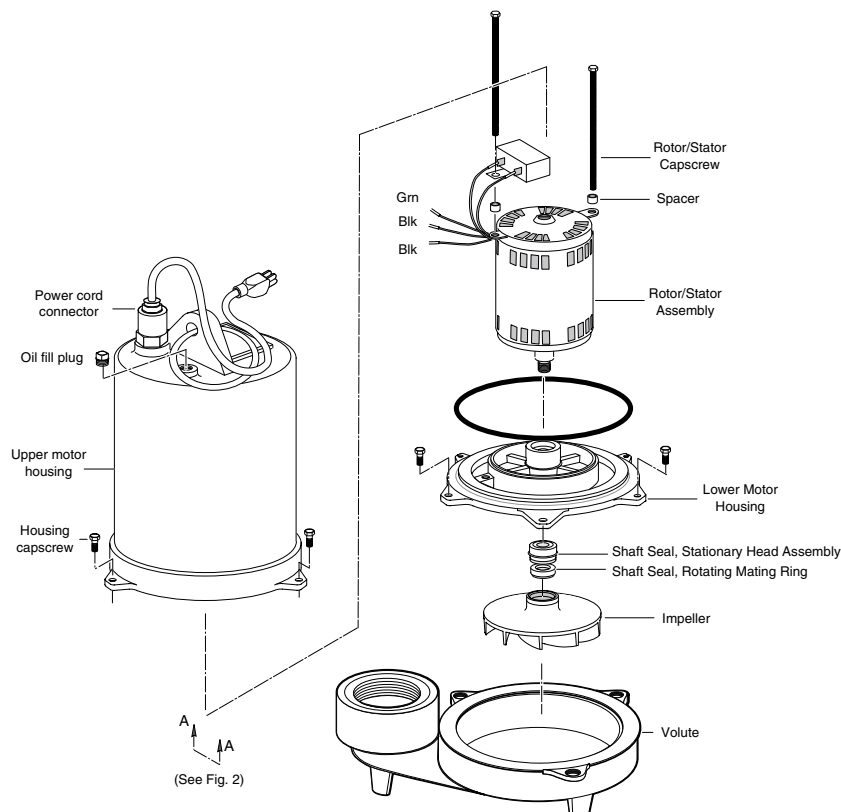
Submerge the complete pump in a disinfectant solution (dilute chlorine bleach) for at least one hour before disassembling the pump.

The pump motor housing contains a special lubricating oil which should be kept clean and free of water at all times.

**NOTICE** Whenever the motor housing is being removed for service, remove oil and replace it with new oil at reassembly. Use only oil listed in parts list in this manual. When filling with new oil, DO NOT overfill. Allow about 7/8" (22mm) air space from top of boss in housing for expansion of oil when the pump is operating.

### Pump Disassembly

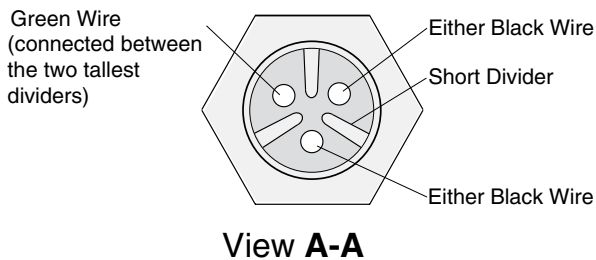
See pump disassembly, Figure 1.



**Figure 1 - Pump Disassembly**

## Impeller and seal replacement

1. Remove the oil fill plug and turn the pump upside down to drain oil.
2. Remove the capscrews holding the upper motor housing to the lower motor housing; lift off the upper motor housing and remove the motor lead wires from the connector to detach upper housing from assembly. The lead wires are fitted with quick connect terminals for this purpose.
3. Remove the capscrews holding the lower motor housing to the volute; lift off the lower motor housing.
4. Hold the rotor shaft assembly and unscrew the impeller by turning it counter-clockwise. Remove impeller and clean it.  
If no more service is needed, reverse instructions above to reassemble the pump. Reattach the motor lead wires as shown in Figure 2, fill with clean SAE 5W-15W (ISO 22-44) mineral oil, check the oil level and replace fill plug. Oil should cover the top of the motor.



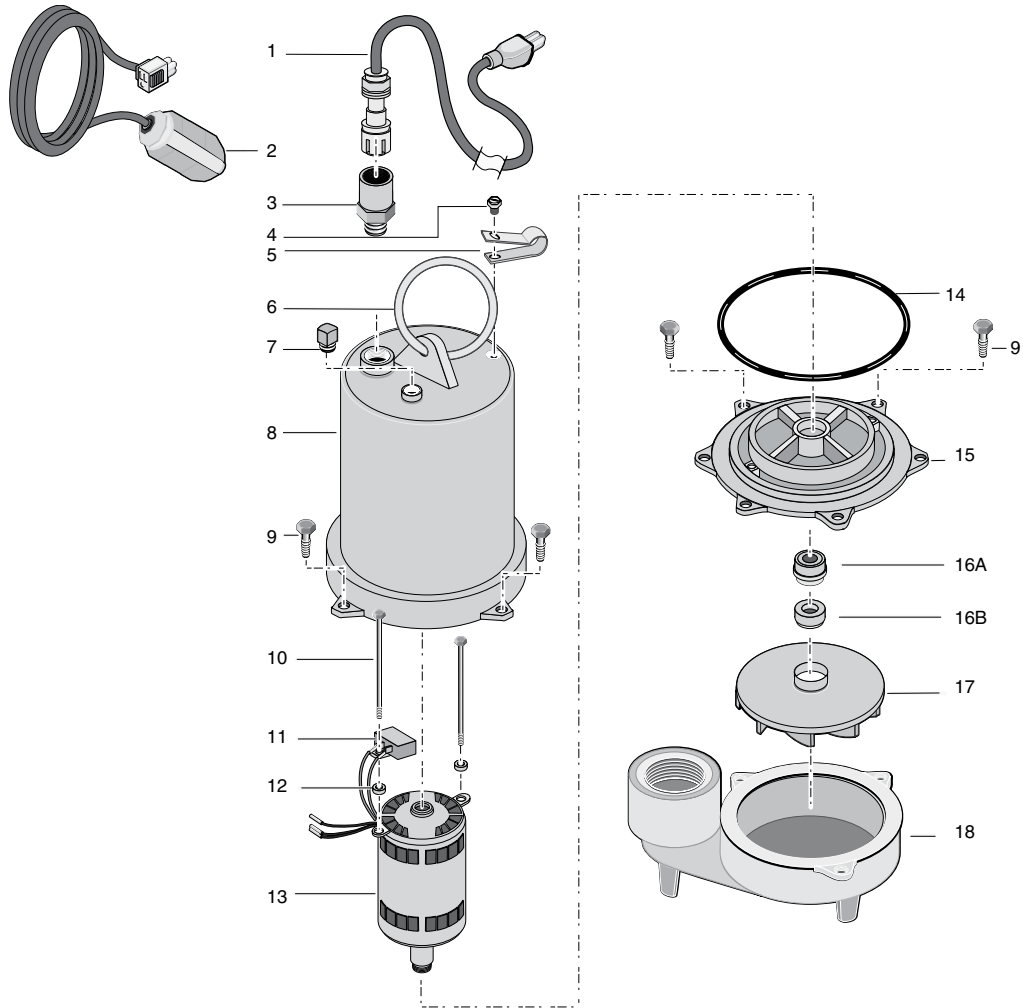
**Figure 2 - Motor Lead Wires**

## Shaft seal replacement

1. Follow the instructions to remove the impeller, above.
2. Remove the stator capscrews and the spacers (if applicable). Lift off the stator.
3. Remove the seal's ceramic seat from the shaft and tap the body of the seal out of the lower motor housing.
4. Clean the seal cavity thoroughly before installing the new seal.  
**NOTICE** Make sure that the seal faces are clean; do not scratch or damage the new seal face during seal replacement. Apply gasket sealant sparingly to the outside edge of seal body before installing the seal in the lower motor housing.
5. Press the new seal body into position in the lower housing cavity.
6. Press the ceramic seat onto the motor shaft. The impeller will pull it into position.
7. Reassemble the stator and tighten the stator capscrews. If your pump has a capacitor (*Repair Parts Ref. 11*), be sure the spacer is under it to keep it away from the oil in the motor.  
**⚠ WARNING Risk of electric shock.** Can shock, burn or kill. Discharge capacitor before handling it. Electrical shock can burn or kill.
8. Reassemble the impeller and the pump (reverse instructions 1 through 4 in *Impeller And Seal Replacement*).
9. Install new capacitor.
10. Reattach the motor lead wires as shown in Figure 2.
11. Fill with fill with clean SAE 5W-15W (ISO 22-44) mineral oil, check the oil level and replace the oil fill plug.

**⚠ WARNING** Risk of electrical shock, cuts, and possible unexpected starts. If the power is on to the pump when thermal overload resets, the pump may start without warning. If you are working on the pump, you may get an electrical shock or the impeller may catch fingers or tools. Disconnect the power before servicing the pump.

Symptom	Possible Cause(s) / Corrective Action
Pump fails to operate.	1. Check to be sure that power cord is securely plugged into outlet or securely wired into controller or switch box. Disconnect power to outlet before handling pump or motor.
	2. Check to be sure you have electrical power.
	3. Check that liquid fluid level is high enough to activate switch or controller.
	4. Check to be sure that 3/16" (5mm) vent hole in discharge pipe is not plugged.
	5. Check for blockage in pump inlet, impeller, check valve or discharge pipe.
	6. Disconnect the pump from the power source for a minimum of 30 minutes to allow the motor to cool and to protect yourself from sudden starts. See Warning above. Check for the cause of overheating. Pump is running dry because the float switch is caught up on something. Inlet pipe is plugged. Outlet pipe is plugged.
Pump fails to empty sump.	1. Be sure all valves in discharge pipe are fully open.
	2. Clean out discharge pipe and check valve.
	3. Check for blockage in pump inlet or impeller.
	4. Pump not sized properly. A higher capacity pump may be required.
Pump will not shut off.	1. Check switch or controller automatic floats for proper operation and location. See installation instructions for switch/controller.
	2. If pump is completely inoperative or continues to malfunction, consult your local serviceman.




Ref.	Description	Qty.	SHEF42M1	SHEF42A1
1	Power Cord, 20'	1	PW117-122-TSE	
	Power Cord, 30'		PW117-293-TSU	
2	Automatic Float Switch	1	-	PS17-109
3	Cord Connector	1	PS17-46P	
4	#8-32 x 1/2" Capscrew	1	-	U30-539SS
5	Switch Cord Clamp	1	-	CC0030-13
6	Handle Ring	1	U97-128	
7	1/4" NPT Plug	1	U78-57DT	
8	Upper Motor Housing	1	PW18-133	
9	#10-32 x 3/4" Capscrew	6	U30-482SS	
10	#10-32 x 3-1/8" Capscrew	2	U30-963ZP	
11	Capacitor	1	PS18-148	
12	Spacer	2	U43-139	
13	Motor	1	PW118-145	
14	O-Ring	1	U9-339	
15	Lower Motor Housing	1	PW18-134	
16A	Shaft Seal, Stationary Head Assembly	1	U9-379A	
16B	Shaft Seal, Rotating Mating Ring	1	U9-379C	
17	Impeller	1	PW5-16P	
18	Volute	1	PW1-16	





THIS PAGE INTENTIONALLY LEFT BLANK


**Directives de sécurité importantes**

**Conservez ces directives** – Ce manuel renferme d’importantes directives qu’il faut suivre durant l’installation et l’entretien de la pompe.

Ce symbole  indique qu’il faut être prudent. Lorsque ce symbole apparaît sur la pompe ou dans cette Notice, rechercher une des mises en garde qui suivent, car elles indiquent un potentiel de blessures corporelles!

Le mot signal  **DANGER** indique un danger qui, s’il n’est pas évité, causera la mort ou des blessures graves.

Le mot signal  **AVERTISSEMENT** indique un risque qui, s’il n’est pas évité, pourrait causer la mort ou des blessures graves.


Le mot signal  **ATTENTION** indique un risque qui, s’il n’est pas évité, pourrait causer des blessures mineures ou modérées.

Le mot **AVIS** est utilisé pour les pratiques qui ne sont pas reliées aux blessures personnelles.

**Lire attentivement toutes les consignes de sécurité contenues dans cette Notice ou collées sur la pompe.**

Garder les autocollants de sécurité en bon état; les remplacer s’ils manquent ou s’ils ont été endommagés.


1. Lire attentivement toutes ces règles et toutes ces instructions. Ne pas les respecter risque de causer de graves blessures corporelles et/ou des dommages matériels.
2. Avant de procéder à l’installation, consulter les codes de la municipalité et s’y conformer.
3. Aérer le réseau d’égout ou la fosse septique conformément aux codes de la municipalité.
4. Ne pas installer la pompe dans un endroit classé comme étant dangereux par le National Electrical Code, le ANSI/NFPA 80-1984 ou le Code canadien de l’électricité.
5. Ne pas utiliser la pompe en tant que pompe de fontaine, pour faire circuler de l’eau ou pour toute autre utilisation en fonctionnement continu.

 **Risque de secousses électriques.** Pouvant causer des brûlures, voire la mort. Pendant le fonctionnement, la pompe est immergée dans l’eau. Pour éviter des secousses électriques mortelles, procéder comme il est indiqué ci-dessous si l’on doit intervenir sur la pompe.

- Couper le courant alimentant le coffret de la prise de courant avant de débrancher la pompe.
- Il faut être extrêmement prudent lorsque l’on remplace les fusibles. Ne pas se tenir dans l’eau ni mettre les doigts dans la douille d’un fusible.
- Ne pas modifier le cordon électrique ni sa fiche. Si on utilise le cordon électrique et sa fiche, ne brancher la fiche du cordon électrique que dans une prise de courant mise à la terre. Si on câble la pompe sur une commande du système, brancher le fil de mise à la terre de la pompe sur la mise à la terre du système.

6. Ne pas faire fonctionner la pompe à sec, sinon elle risque de surchauffer (et causer des brûlures à quiconque la manipulera). De plus, cette pratique annule la garantie.
7. Il est normal que la pompe soit chaude pendant qu’elle fonctionne. Pour éviter de se brûler lorsque l’on intervient sur la pompe, la laisser refroidir au moins 20 minutes après l’avoir arrêtée et ceci avant de la manipuler.
8. La pompe est lubrifiée en permanence. Aucun huilage ni graissage n’est requis pendant son fonctionnement normal. Pour remettre en état la pompe, se reporter aux instructions figurant sous la rubrique *Entretien*.

**Avertissement lié à la Proposition 65 de la Californie**

 Ce produit et les accessoires connexes contiennent des produits chimiques reconnus dans l’État de la Californie comme pouvant provoquer des cancers, des anomalies congénitales ou d’autres dangers relatifs à la reproduction.

**Description**

Ces pompes de puisard submersibles sont conçues pour éliminer les effluents et les eaux usées, vider les puisards, assécher et lutter contre les inondations. Les modèles pour températures élevées peuvent être utilisés dans les fosses de purge et pour pomper des chaudières, les fosses de condensats et pour pomper l’eau chaude.

Toutes les pompes sont munies d’un dispositif de protection interne contre les surcharges thermiques à réenclenchement automatique. Les roulements à billes et les joints mécaniques de l’arbre du moteur sont lubrifiés en permanence. Les fixations en acier inoxydable et l’anneau de levage de fort calibre permettent un démontage facile après une utilisation prolongée.

**AVIS** Cette pompe n’est pas conçue pour pomper de l’eau salée ni de la saumure! La garantie sera annulée si cette pompe est utilisée pour pomper de l’eau salée ou de la saumure.

**Caractéristiques**

Courant d’alimentation requis . . . . . Se reporter au tableau *Caractéristiques du moteur, de l’interrupteur et du cordon électrique*  
 Fonctionnement du moteur . . . . . En continu\*\*  
 Températures maximum du liquide . . . . . 130 °F (55 °C)  
 \*\* Pour un fonctionnement continu, la pompe doit être complètement immergée dans un liquide dont la température maximale ne dépassera pas 40,5 °C (105 °F).

**Rendement**

Modèles	Gal/min à la hauteur totale de refoulement en pieds						Aucun débit aux hauteurs ci-dessous
	5	10	15	20	25	30	
Débits en gallons / minute							
SHEF42M1	61	52	45	38	30	21	40
SHEF42A1	61	52	45	38	30	21	40

**Caractéristiques du moteur, de l’interrupteur et du cordon électrique**

Modelo	Puissance du moteur (ch)	Tension	Pleine charge en ampères (minimum)	Circuit de dérivation individuel requis (en ampères)	Longueur du cordon électrique en pieds (m)	Réglages de l’interrupteur (en pouces [mm])		Diamètre de l’adaptateur de refoulement en pieds
						Marche	Arrêt	
SHEF42M1	4/10	115/1	9,7	15	20 (6,1) or 30 (9,1)	N/A		2"
SHEF42A1					20 (6,1)	16,5 (419)	7,5 (191)	

## **Garantie limitée**

HYDROMATIC garantit à l'acheteur/au consommateur d'origine (l'Acheteur) des pompes de puisard, pompes d'effluents, pompes d'eaux d'égout (à l'exception de la pompe de 2-1/2 po), et les systèmes ensembles HYDROMATIC, que celles-ci seront exemptes de tout vice de matériau et de fabrication pendant la période de garantie de 36 mois suivant la date de fabrication.

Nos garanties ne s'appliquent pas aux produits ayant fait l'objet de négligence, d'une mauvaise utilisation, d'une mauvaise installation ou d'un manque d'entretien adéquat. Sans aucune limitation des présentes, la garantie des moteurs triphasés submersibles sera nulle et non avenue si ces moteurs sont branchés et fonctionnent sur le courant monophasé par l'intermédiaire d'un déphaseur. Il faut également noter que les moteurs triphasés doivent être protégés par un relais de surcharge tripolaire thermocompensé à déclenchement extrêmement rapide du calibre recommandé, sinon la garantie sera nulle et non avenue.

Le seul recours de l'Acheteur et la seule responsabilité de HYDROMATIC consistent à réparer ou à remplacer (au choix de HYDROMATIC) les produits qui se révéleraient défectueux. L'Acheteur s'engage à payer tous les frais de main d'œuvre et d'expédition du produit couvert par sa garantie et de s'adresser au concessionnaire-installateur ayant procédé à l'installation dès qu'un problème est découvert pour obtenir un service sous garantie. Aucune demande de service en vertu de sa garantie ne sera acceptée après expiration de la durée de sa garantie. Ces garanties ne sont pas transférables.

EXCEPTIONS : Les pompes pour applications spéciales, les pompes de puisard de secours à batterie, les pompes d'effluents à filtre, les pompes broyeuses, et les pompes d'eaux d'égout de 2-1/2 po Hydromatic sont garanties pendant une période de 12 mois suivant la date d'achat, ou une période de 18 mois suivant la date de fabrication, selon la première occurrence.

HYDROMATIC DÉCLINE TOUTE RESPONSABILITÉ POUR TOUT DOMMAGE INDIRECT OU FORTUIT QUEL QU'IL SOIT.

LA GARANTIE LIMITÉE SUSMENTIONNÉE EST EXCLUSIVE ET REMPLACE TOUTES LES AUTRES GARANTIES EXPRESSES ET TACITES, Y COMPRIS, MAIS SANS S'Y LIMITER, LES GARANTIES DE QUALITÉ MARCHANDE ET D'ADAPTATION À UN USAGE PARTICULIER. LA GARANTIE LIMITÉE SUSMENTIONNÉE NE DOIT PAS ÊTRE PROLONGÉE AU-DELÀ DE LA DURÉE PRÉVUE AUX PRÉSENTES.

Certains états, territoires et certaines provinces ne permettent pas l'exclusion ou la limitation des dommages indirects ou fortuits, ni les limitations relatives à la durée des garanties tacites. Par conséquent, il se peut que les limitations ou les exclusions stipulées dans les présentes ne s'appliquent pas dans ce cas. Ces garanties accordent des droits juridiques précis, bien que l'on puisse bénéficier d'autres droits, selon la province, le territoire ou l'état dans lequel on réside.

La présente garantie limitée est entrée en vigueur le 1er juin 2011 et remplace toute garantie non datée ou antérieure à cette date.

### **HYDROMATIC**

**293 Wright Street, Delavan, WI 53115**

**Tél. : 888-957-8677 • Téléc. : 800-426-9446 • Site Web : [hydromatic.com](http://hydromatic.com)**

**⚠ AVERTISSEMENT** **Risque de secousses électriques.** Pouvant causer des brûlures, voire la mort. Ne pas lever la pompe par son cordon électrique. Se reporter à *Avertissement concernant le levage par le cordon électrique.*

**AVIS** La pompe doit être installée sur une surface dure et de niveau (béton, asphalte, etc.). Ne jamais installer la pompe directement sur une surface en terre, en glaise ou en gravier.

## Tuyaux

Le diamètre des tuyaux ne doit pas être plus petit que le diamètre du refoulement de la pompe. Si on branche la pompe sur un réseau d'égouts, les tuyaux doivent pouvoir laisser passer les matières solides ayant au moins 2 pouces (51 mm) de diamètre.

Si on branche la pompe dans un réseau d'effluents, les tuyaux doivent pouvoir laisser passer les matières solides ayant au moins 3/4 de pouce (19 mm) de diamètre.

Le débit du tuyau de refoulement doit pouvoir permettre de garder toutes les matières solides présentes en suspension dans le liquide.

Pour obtenir un débit minimum de 2 pieds par seconde (61 cm/s) dans le tuyau de refoulement, le diamètre du tuyau de refoulement doit correspondre à ceux indiqués ci-dessous :

Un tuyau d'un de déliter :	Permettre diamètre de
1-1/2 po (38mm)	12 gal/min (45,4 L/m)
2 po (51mm)	21 gal/min (79,5 L/m)
2-1/2 po (64mm)	30 gal/min (113,5 L/m)
3 po (76mm)	48 gal/min (182 L/m)

**Dans un réseau d'égouts,** brancher un clapet de non retour de 2 pouces (51 mm) sur le tuyau de refoulement de la pompe pour que le liquide ne revienne pas à contre-courant dans le puisard. Le clapet de non retour doit avoir un obturateur à passage intégral qui permettra aux matières solides de passer facilement. S'assurer que l'installation du clapet de non retour est conforme aux codes de la municipalité.

**Dans un réseau d'effluents,** brancher un clapet de non retour de 1-1/2 pouce (38 mm) sur le tuyau de refoulement de la pompe pour que le liquide ne revienne pas à contre-courant dans le puisard. Le clapet de non retour doit avoir un obturateur à passage intégral qui permettra aux matières solides de passer facilement. S'assurer que l'installation du clapet de non retour est conforme aux codes de la municipalité.

**AVIS** Pour obtenir le meilleur rendement possible du clapet de non retour lorsque l'on pompe des matières solides, ne pas brancher le côté refoulement du clapet de non retour à un angle supérieur à 45 ° par rapport à l'horizontale. Ne pas poser le clapet de non retour à la verticale étant donné que les matières solides

risqueraient de se déposer sur son obturateur et de l'empêcher de s'ouvrir au démarrage.

Perçer un trou de 3/16 de pouce (5 mm) dans le tuyau de refoulement, à environ 1 à 2 pouces (25 à 51 mm) au-dessus du branchement du refoulement de la pompe (mais pas sous le clapet de non retour) pour empêcher la formation de bouchons d'air dans la pompe.

## Électricité

**⚠ AVERTISSEMENT** **Risque de secousses électriques.** Pouvant causer des brûlures, voire la mort. Lorsque l'on installe, fait fonctionner ou intervient sur cette pompe, respecter les consignes de sécurité suivantes.

1. NE PAS épisser le cordon électrique.
2. NE PAS permettre au cordon électrique d'être immergé.
3. NE PAS utiliser de cordon prolongateur. Ce type de cordon présente un danger d'incendie et il risque de réduire suffisamment la tension pour empêcher un pompage adéquat et/ou provoquer des dommages au moteur.
4. NE PAS manipuler ou entretenir la pompe pendant qu'elle est branchée sur le courant électrique.
5. NE PAS enlever la broche de mise à la terre de la fiche ni modifier cette fiche. Pour protéger contre les secousses électriques, le cordon électrique à 3 conducteurs est muni d'une fiche à 3 broches dont une de mise à la terre. Brancher la pompe dans une prise de courant à 3 trous dont un de mise à la terre et ceci conformément au National Electric Code, au Code canadien de l'électricité et aux codes de la municipalité.

Pour un fonctionnement automatique, brancher ou câbler la pompe sur un interrupteur à flotteur à fonctionnement automatique ou un module de commande duplex. La pompe fonctionnera constamment si elle est branchée directement dans une prise de courant électrique.

Brancher ou câbler la pompe directement sur son propre circuit de dérivation individuel, sans autre prise de courant ni équipement branché sur ce circuit. Déterminer le calibre des fusibles ou des disjoncteurs d'après le *Caractéristiques du moteur, de l'interrupteur et du cordon électrique.*

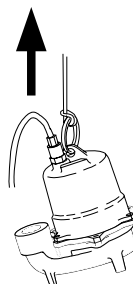
**⚠ AVERTISSEMENT** **Risque de secousses électriques.** Pouvant causer des brûlures, voire la mort. S'assurer que les informations du courant électrique (Tension/Hertz/Phase) indiquées sur la plaque signalétique du moteur de la pompe correspondent exactement au courant alimentant le circuit de la pompe. Installer la pompe conformément à tous les codes de l'électricité en vigueur.

## Advertissment concernant le levage par le cordon électrique

**⚠ ADVERTISSEMENT**



**Risque de secousses électriques.**  
Risque de brûlures, voire de mort.  
Ne pas lever la pompe par son cordon électrique.



1. Essayer de lever ou de supporter la pompe par son cordon électrique risque d'endommager le cordon électrique et les connexions du cordon électrique.
2. Le cordon peut se séparer et exposer les fils nus et présenter un risque d'incendie ou d'électrocution.
3. Lever ou supporter la pompe par son cordon électrique annulera la garantie.
4. Utiliser l'anneau de levage ou la poignée de la pompe pour lever/abaisser la pompe. Couper le courant alimentant la pompe avant d'intervenir sur la pompe ou de la sortir du puisard.

## Fonctionnement

**⚠ AVERTISSEMENT** **Risque d'incendie ou d'explosion.** Pouvant causer de graves blessures, des dommages matériels, voire la mort. Ne pas utiliser cette pompe dans des atmosphères explosives, et ne pomper que de l'eau avec cette pompe.

**AVIS** Ne pas permettre à la pompe de fonctionner dans un puisard sec, car ceci annulera la garantie et la pompe risquera d'être endommagée. Le dispositif de protection contre les surcharges à fonctionnement automatique du moteur l'empêchera de brûler suite à une surchauffe/ surcharge. Dès que le moteur refroidit, le dispositif de protection contre les surcharges se réarme automatiquement et démarre le moteur.

Si le dispositif de protection contre les surcharges se déclenche fréquemment, en rechercher la cause. Ceci peut être causé par un impulseur coincé, une mauvaise/basse tension ou une défectuosité électrique du moteur. Si on pense qu'il y a défectuosité électrique du moteur, remplacer la pompe.

La pompe est lubrifiée en permanence. Aucun huilage et aucun graissage ne sont requis.

## Entretien

### Généralités

**⚠ AVERTISSEMENT** **Risque de secousses électriques.** Pouvant causer des brûlures, voire la mort. Avant de sortir la pompe du puisard pour l'entretenir, toujours couper le courant électrique alimentant la pompe et l'interrupteur de commande. Ne pas lever la pompe par son cordon électrique. Se reporter à *Avertissement concernant le levage par le cordon électrique.*

Après avoir déposé le couvercle du puisard et débranché, au besoin, le tuyau de refoulement, sortir la pompe du puisard. Mettre la pompe dans un endroit où elle pourra être nettoyée à fond. Enlever tout le tartre et tous les dépôts de la pompe. Immerger toute la pompe dans une solution désinfectante (agent chloré) pendant au moins une heure avant de la démonter.

Le carter de la pompe contient une huile lubrifiante spéciale. Toujours garder cette huile propre et débarrassée d'eau.

**AVIS** Lorsque le carter du moteur est déposé pour l'entretien, vider l'huile et, au remontage, la remplacer par de l'huile neuve. N'utiliser que l'huile indiquée dans la liste des pièces de cette Notice. Lorsque l'on fait le plein de la pompe avec de l'huile neuve, NE PAS trop remplir. Laisser un espace vide d'environ 7/8 de pouce (22 mm) au-dessus du bossage du carter pour la dilatation de l'huile pendant le fonctionnement de la pompe.

### Démontage de la pompe

Se reporter à la Figure 1

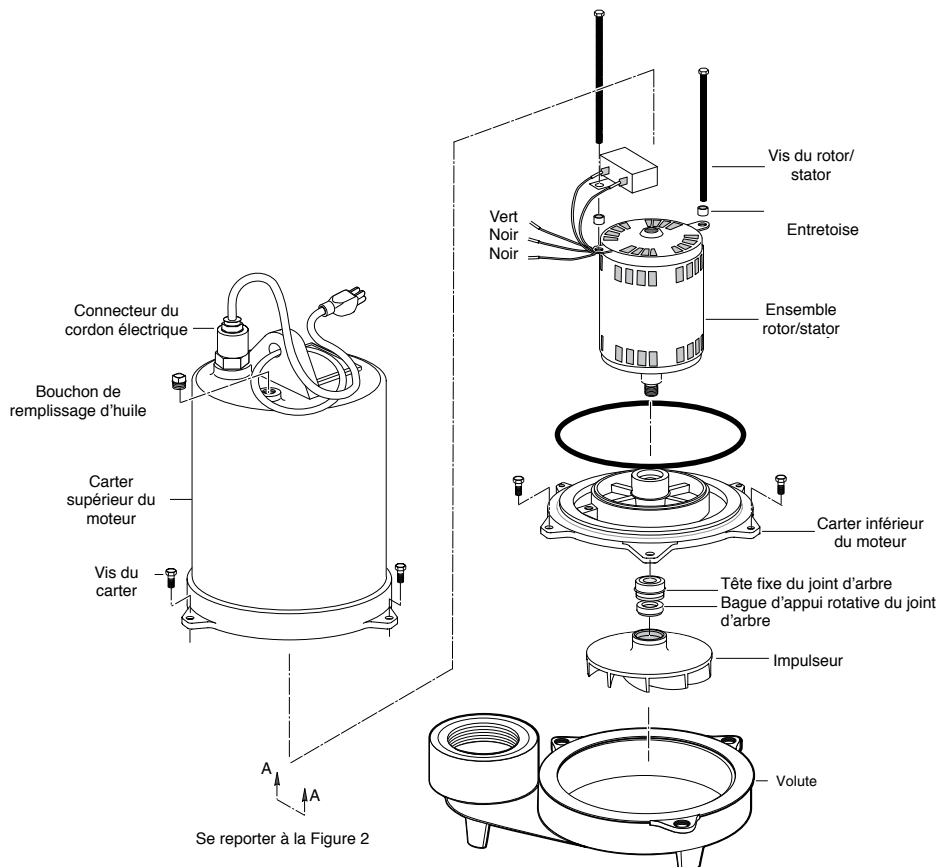
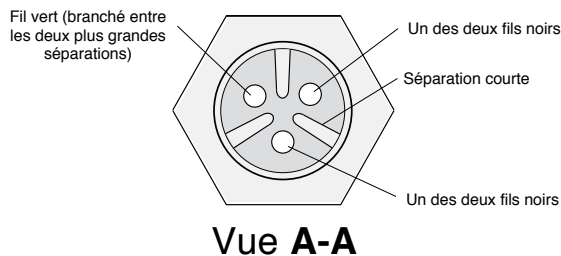


Figure 1 - Démontage de la pompe

**Remplacement de l'impulseur et du joint**

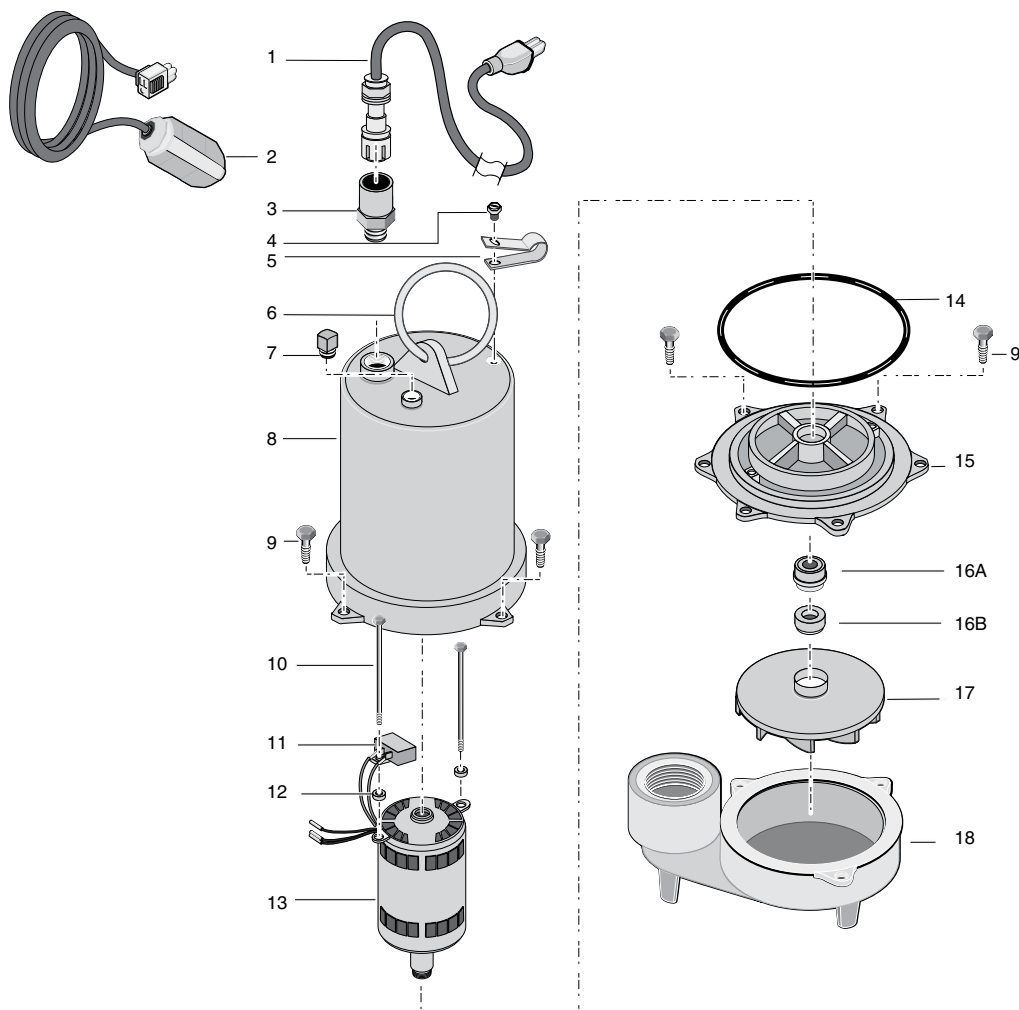
1. Déposer le bouchon de remplissage d'huile et tourner la pompe à l'envers pour vider l'huile.
2. Déposer les vis à chapeau de fixation du carter supérieur du moteur sur le carter inférieur du moteur; sortir le carter supérieur du moteur, puis débrancher les fils du moteur du connecteur pour pouvoir détacher le carter supérieur. À cet effet, les fils sont branchés avec des raccords rapides.
3. Déposer les vis à chapeau de fixation du carter inférieur du moteur sur la volute; sortir le carter inférieur du moteur.
4. Immobiliser l'arbre du moteur, puis dévisser l'impulseur en le tournant à gauche. Déposer l'impulseur et le nettoyer. Si aucun autre entretien n'est requis, procéder à l'inverse des opérations de démontage pour remonter la pompe. Rebrancher les fils du moteur comme il est illustré à la Figure 2. Faire le plein du moteur avec de l'huile diélectrique propre SAE 5W-15W de l'huile minérale (ISO 22-44). Vérifier le niveau d'huile, puis reposer le bouchon. L'huile doit couvrir le haut du moteur.

**Figure 2 - les fils du moteur****Remplacement du joint de l'arbre :**

1. Suivre les instructions précédentes pour déposer l'impulseur.
2. Déposer les vis à chapeaux du stator et les entretoises (le cas échéant). Sortir le stator.
3. Déposer le siège en céramique du joint de l'arbre et taper sur le corps du joint pour le chasser du carter inférieur du moteur.
4. Nettoyer à fond la cavité du joint avant de poser le joint neuf. **AVIS** S'assurer que les surfaces du joint sont propres; ne pas rayer ni endommager les surfaces du joint neuf pendant qu'on le pose. Appliquer un mastic joint sur le bord extérieur du corps du joint neuf avant de le poser dans le carter inférieur du moteur.
5. Pousser le corps du joint neuf en position dans la cavité du carter inférieur.
6. Pousser le siège en céramique sur l'arbre du moteur. L'impulseur le tirera en position.
7. Remonter le stator et serrer les vis à chapeau du stator. Si la pompe est munie d'un condensateur (Réf. 11), s'assurer que l'entretoise est posée sous le condensateur pour éloigner le condensateur de l'huile du moteur. **⚠ AVERTISSEMENT Risque de secousses électriques.** Pouvant causer des brûlures, voire la mort. Décharger le condensateur avant de le manipuler. Les secousses électriques peuvent brûler, voire tuer.
8. Remonter l'impulseur dans la pompe (en procédant à l'inverse des opérations 1 à 4 du *Remplacement de l'impulseur et du joint*).
9. Poser le condensateur neuf.
10. Rebrancher les fils du moteur comme il est illustré à la Figure 2.
11. Faire le plein d'huile diélectrique propre SAE 5W-15W de l'huile minérale (ISO 22-44). Vérifier le niveau de l'huile, puis reposer le bouchon.

**⚠ AVERTISSEMENT** **Risque de choc électrique, dilacérateur dangereux et éventuels démarrages inopinés.** Si le courant alimente la pompe lorsque le dispositif de protection contre les surcharges thermiques se réenclenche, la pompe risque de démarrer sans avertissement. Si, à ce moment-là, on intervient sur la pompe, on risque de subir des secousses électriques ou bien de se coincer les doigts dans l'impulseur ou bien des outils risquent de se coincer dans l'impulseur. Toujours couper le courant alimentant la pompe avant d'intervenir sur la pompe.

Symptômes	Causes probables / Remèdes
La pompe ne fonctionne pas	1. S'assurer que le cordon électrique est enfoncé à fond dans la prise de courant. Couper le courant électrique alimentant la prise de courant avant de manipuler la pompe ou le moteur.
	2. S'assurer que le courant électrique parvient à la pompe.
	3. S'assurer que le niveau du liquide est suffisamment haut pour actionner l'interrupteur ou le contrôleur.
	4. S'assurer que le tuyau de refoulement comporte un trou d'aération ayant au moins 5 mm (3/16 de pouce) de diamètre et que ce trou n'est pas bouché.
	5. S'assurer que l'admission de la pompe, l'impulseur, le clapet de non retour ou le tuyau de refoulement ne sont pas obstrués.
	6. Débrancher la pompe du courant qui l'alimente pendant au moins 30 minutes pour laisser refroidir le moteur et se protéger contre les démarrages soudains. Se reporter à l'avertissement ci-dessous. Vérifier la cause de la surchauffe. La pompe fonctionne à sec parce que l'interrupteur à flotteur est coincé. Le tuyau d'admission de la pompe est bouché. Le tuyau de refoulement de la pompe est bouché.
La pompe ne vide pas le puisard	1. S'assurer que tous les robinets du tuyau de refoulement sont complètement ouverts.
	2. Nettoyer le tuyau de refoulement et le clapet de non retour.
	3. S'assurer que l'admission de la pompe ou que l'impulseur ne se sont pas obstrués.
	4. La pompe n'est peut-être pas suffisamment puissante. Dans ce cas, une pompe d'une puissance supérieure est peut-être requise.
La pompe ne s'arrête pas	1. S'assurer du bon fonctionnement et du bon emplacement du ou des interrupteurs à flotteur(s) à fonctionnement automatique ou du contrôleur. Se reporter aux instructions d'installation du fabricant des interrupteurs ou du contrôleur.
	2. Si la pompe ne fonctionne pas du tout ou si elle continue de mal fonctionner, s'adresser à un réparateur local.



Ref.	Désignation	Qté.	SHEF42M1	SHEF42A1
1	Cordon électrique, 6,1 m (20')	1	PW117-122-TSE	
	Cordon électrique, 9,1 m (30')		PW117-293-TSU	
2	Interrupteur à flotteur à fonctionnement automatique	1	-	PS17-109
3	Connecteur du cordon électrique	1	PS17-46P	
4	Vis à chapeau n° 8-32 x 1/2 po	1	-	U30-539SS
5	Collier du cordon de l'interrupteur	1	-	CC0030-13
6	Anneau de levage	1	U97-128	
7	Bouchon fileté mâle de 1/4 de pouce NPT	1	U78-57DT	
8	Carter supérieur du moteur	1	PW18-133	
9	Vis à chapeau n° 10-32 x 3/4 de po	6	U30-482SS	
10	Vis à chapeau n° 10-32 x 3 1/8 po	2	U30-963ZP	
11	Condensateur	1	PS18-148	
12	Entretoise	2	U43-139	
13	Moteur	1	PW118-145	
14	Joint torique	1	U9-339	
15	Carter inférieur du moteur	1	PW18-134	
16A	Tête fixe du joint d'arbre	1	U9-379A	
16B	Bague d'appui rotative du joint d'arbre	1	U9-379C	
17	Impulseur	1	PW5-16P	
18	Volute	1	PW1-16	



Cette page est intentionnellement BLANK

### Instrucciones importantes de seguridad

**Guarde estas instrucciones** - Este manual contiene instrucciones importantes que se deben seguir durante la instalación y el mantenimiento del bombas de sumidero.

**▲** Este es un símbolo de alerta sobre la seguridad. Cuando vea este símbolo en su bomba o en este manual, busque para ver si hay alguna de las siguientes palabras de señal y esté alerta a la posibilidad de lesiones personales.

**▲ PELIGRO** indica un riesgo que, de no evitarse, *provocará* la muerte o lesiones de gravedad.

**▲ ADVERTENCIA** indica un riesgo que, de no evitarse, *podría provocar* la muerte o lesiones de gravedad.

**▲ PRECAUCIÓN** indica un riesgo que, de no evitarse, *podría provocar* lesiones leves o moderadas.

**AVISO** hace referencia a una práctica no relacionada con una lesión física.

**Lea y siga cuidadosamente todas las instrucciones de seguridad en este manual y en la bomba.**

Mantenga las etiquetas de seguridad en buenas condiciones.

Reemplace las etiquetas de seguridad faltantes o dañadas.

- Es importante que lea cuidadosamente estas reglas e instrucciones. Si se ignoran, existe el riesgo de lesiones corporales graves y/o daños materiales.
- Verifique sus códigos locales antes de la instalación. Deberá cumplir con sus reglas.
- Ventile el tanque cloacal o séptico según los códigos locales.
- No instale la bomba en ningún lugar clasificado como peligroso por el Código Eléctrico Nacional, la norma 80-1984 de ANSI/NFPA o el Código Eléctrico Canadiense.
- ▲ ADVERTENCIA** **Riesgo de choque eléctrico.** Puede provocar choque, quemadura o muerte. La bomba se encuentra en agua durante la operación. Para evitar choques fatales, continúe de la siguiente manera, si la bomba necesita reparaciones:
  - Desconecte la corriente a la caja de salida antes de desenchufar la bomba.
  - Tenga mucho cuidado cuando cambie los fusibles. No se pare en el agua ni ponga los dedos en un portafusible.
  - No modifique el cordón ni el enchufe. Cuando use el cordón y el enchufe, enchúfelos solamente en una toma de corriente puesta a tierra. Cuando el cableado se haga a un control del sistema conecte el conductor a tierra de la bomba a la conexión a tierra del sistema.

- No haga marchar la bomba en seco. La marcha en seco puede hacer que la bomba se recaliente (causando quemaduras a la persona que la esté manipulando), y anulará la garantía.
- La bomba está caliente al tacto durante la operación. Para evitar quemaduras durante las operaciones de reparación y mantenimiento, deje que se enfríe durante 20 minutos después de haberla apagado y antes de manipularla.
- La bomba viene con lubricación permanente. Bajo un servicio normal, no se necesitará aceitar ni engrasar. Para ponerla a punto, consulte las instrucciones en la sección de *Mantenimiento*.

#### Advertencia de la Proposición 65 de California

**▲ ADVERTENCIA** Este producto y accesorios relacionados contienen sustancias químicas reconocidas en el Estado de California como causantes de cáncer, malformaciones congénitas y otros daños al sistema reproductivo.

#### Descripción

Estas bombas sumergibles para sumideros, efluente y aguas residuales han sido diseñadas para la remoción de efluente y aguas residuales, el drenaje de sumideros, achique y control de inundaciones. Los modelos para alta temperatura se pueden usar en fosos de purga de calderas, fosos de condensado y como bombas de agua caliente. Las unidades vienen equipadas con un protector contra sobrecarga térmica de reposición automática. La junta mecánica y los cojinetes de bolas en el eje del motor tienen lubricación permanente. Los accesorios de acero inoxidable y el aro de sujeción de gran resistencia permiten un desensamblaje fácil después de un uso prolongado.

**AVISO** Esta unidad no ha sido diseñada para uso con agua salada o salubre. El uso con agua salada o salubre anulará la garantía

#### Especificaciones

Suministro de corriente requerido . . . . . Ver la tabla de *Especificaciones del motor, conmutador y cordón*

Servicio del motor . . . . . Continuo\*\*

Máxima temperatura del líquido . . . . . 130 °F (55 °C)

\*\* Para un servicio continuo, la bomba debe estar completamente sumergida en un líquido a una temperatura máxima de 105 °F (40.5 °C).

#### Rendimiento

Modelo	G/m a altura total en galones						No hay flujo a las alturas que se indican abajo
	5	10	15	20	25	30	
	Capacidad – galones/minuto						
SHEF42M1	61	52	45	38	30	21	40
SHEF42A1	61	52	45	38	30	21	40

#### Especificaciones del motor, conmutador y cordón

Modelo	CV del motor	Tensión	Carga total del motor en amperios	Requiere un ramal individual (amperios)	Largo del cordón en pies (m)	Graduación del conmutador en pulgadas (mm)		Tamaño del adaptador de descarga
						Encendido	Apagado	
SHEF42M1	4/10	115/1	9.7	15	20 (6.1) or 30 (9.1)	N/A		2"
SHEF42A1					20 (6.1)	16.5 (419)	7.5 (191)	

**Garantía limitada**

HYDROMATIC le garantiza al comprador consumidor original (el "Comprador" o "Usted") que las bombas de sumidero, las bombas efluentes, las bombas para aguas residuales (a excepción de la bomba de 2-1/2"), y los sistemas-paquetes de marca HYDROMATIC, estarán libres de defectos en materiales y en mano de obra durante un período de garantía de 36 meses a partir de la fecha en que han sido fabricadas.

Nuestra garantía no se aplicará a ningún producto que, a nuestro sólo juicio, haya sido sometido a negligencia, mal uso, instalación inadecuada o mal mantenimiento. Sin perjuicio a lo que antecede, la garantía quedará anulada en el caso en que un motor trifásico se haya usado con una fuente de alimentación monofásica, a través de un convertidor de fase. Es importante indicar que los motores trifásicos deben estar protegidos por relés de sobrecarga de disparo extra-rápido, con compensación ambiental de tres etapas, del tamaño recomendado, de lo contrario, la garantía quedará anulada. Su único recurso, y la única obligación de HYDROMATIC es que HYDROMATIC repare o reemplace los productos defectuosos (a juicio de HYDROMATIC). Usted deberá pagar todos los cargos de mano de obra y de envío asociados con esta garantía y deberá solicitar el servicio bajo garantía a través del concesionario instalador tan pronto como se descubra un problema. No se aceptará ninguna solicitud de servicio bajo garantía que se reciba después del vencimiento del Período de Garantía. Esta garantía no se puede transferir.

EXCEPCIONES: Las bombas para aplicaciones especiales, las bombas de sumidero con baterías de respaldo, las bombas efluentes con filtro, las bombas trituradoras, y las bombas para aguas residuales de 2-1/2" de marca Hydromatic están garantizadas por un período de 12 meses a partir de la fecha de compra, o durante 18 meses a partir de la fecha de su fabricación, según lo que ocurra primero.

HYDROMATIC NO SE HARÁ RESPONSABLE DE NINGÚN DAÑO CONSECUENTE, INCIDENTAL O CONTINGENTE.

LAS GARANTÍAS LIMITADAS QUE ANTECEDEN SON EXCLUSIVAS Y EN LUGAR DE TODA OTRA GARANTÍA EXPLÍCITA E IMPLÍCITA, INCLUYENDO, PERO SIN LIMITARSE A LAS GARANTÍAS IMPLÍCITAS DE COMERCIALIZACIÓN E IDONEIDAD PARA UN FIN ESPECÍFICO. LAS GARANTÍAS LIMITADAS QUE ANTECEDEN NO SE EXTENDERÁN MÁS ALLÁ DEL PERÍODO DE DURACIÓN INDICADO EN LA PRESENTE.

Algunos estados no permiten la exclusión o limitación de daños incidentales o consecuentes o de limitaciones de tiempo sobre garantías implícitas, de modo que es posible que las limitaciones o exclusiones que preceden no correspondan en su caso. Esta garantía le otorga derechos legales específicos y es posible que usted también tenga otros derechos que pueden variar de un estado al otro.

Esta Garantía Limitada entra en vigor el 1 de junio de 2011 y sustituye toda garantía sin fecha o garantía con fecha anterior al 1 de junio de 2011.

**HYDROMATIC****293 Wright Street, Delavan, WI 53115****Teléfono: 888-957-8677 • Fax: 800-426-9446 • Sitio web: [hydromatic.com](http://hydromatic.com)**

**⚠ ADVERTENCIA Riesgo de choque eléctrico.** Puede provocar choque, quemadura o muerte. No levante la bomba por medio del cordón de corriente. Consulte la "Advertencia sobre la sujeción por medio del cordón".

**AVISO** Instale la bomba sobre una superficie dura, nivelada (cemento, asfalto, etc.). Nunca coloque la bomba directamente sobre superficies de tierra, arcilla o arenilla.

## Tubería

La tubería no debe ser más pequeña que la descarga de la bomba. Cuando se instale en un sistema de aguas residuales, la tubería debe ser capaz de manipular partículas semi-sólidas de por lo menos 2" (51 mm) de diámetro.

Cuando se instale en un sistema de efluente, la tubería debe ser capaz de manipular partículas semi-sólidas de por lo menos 3/4" (19 mm) de diámetro.

La velocidad de gasto en la tubería de descarga deberá mantener toda partícula sólida presente en suspensión dentro del líquido. Para cumplir con el mínimo de requisitos de flujo (2 pies (0,6 m) por segundo en la línea de descarga, las tuberías deberán ser de los tamaños siguientes:

Una tubería de:	Manipulará una velocidad de gasto de:
1-1/2" (38mm)	45 L/M
2" (51mm)	79 L/M
2-1/2"(64mm)	113 L/M
3"(76mm)	182 L/M

**En un sistema de aguas residuales,** use una válvula de retención de 2" (51 mm) en la descarga de la bomba para evitar retroflujo de líquido a la esclusa del sumidero. La válvula de retención deberá ser una válvula de flujo libre que pueda pasar partículas sólidas con facilidad. Asegúrese de que la instalación de la válvula de retención se realice conforme a los códigos locales.

**En un sistema de efluente,** use una válvula de retención de 1-1/2" (38 mm) en la descarga de la bomba para evitar retroflujo de líquido a la esclusa del sumidero. La válvula de retención deberá ser una válvula de flujo libre que pueda pasar partículas sólidas con facilidad. Asegúrese de que la instalación de la válvula de retención se realice conforme a los códigos locales.

**AVISO** Para un mejor rendimiento de la válvula de retención en el manejo de partículas sólidas, no la instale con la descarga en

un ángulo mayor de 45° sobre el nivel horizontal. No instale la válvula de retención en una posición vertical, ya que eso puede hacer que las partículas sólidas se asienten en la válvula y eviten que se abra durante el arranque.

Perfore un orificio de 3/16" (5 mm) en la tubería de descarga, a unos 1-2" (25 – 51 mm) por encima de la conexión de descarga de la bomba (pero debajo de válvula de retención), para evitar la creación de bolsas de aire en la bomba.

## Sistema eléctrico

**⚠ ADVERTENCIA Riesgo de choque eléctrico.** Puede provocar choque, quemadura o muerte. Cuando instale, opere o repare esta bomba, observe las instrucciones de seguridad indicadas a continuación.

1. NO empalme el cordón de corriente eléctrica.
2. NO permita que se sumerja el enchufe del cordón eléctrico.
3. NO use cordones de alargue. Representan un peligro de incendio, y pueden reducir la tensión lo suficiente como para evitar el bombeo y/o perjudicar el motor.
4. NO manipulee ni repare la bomba mientras esté conectada al suministro de energía.
5. NO saque la punta de conexión a tierra del enchufe ni lo modifique de ninguna forma. Para protegerse contra choques eléctricos, el cordón de corriente es un conductor trifilar e incluye un enchufe de tres puntas con conexión a tierra. Enchufe la bomba en una toma de corriente trifilar, con conexión a tierra y debidamente puesta a tierra. Conecte la bomba según los códigos eléctricos NEC o CEC y los códigos locales.

Para una operación automática, enchufe o cablee la bomba en un conmutador automático de flotador o un controlador dúplex. La bomba funcionará continuamente si está enchufada directamente en una toma de corriente eléctrica.

Conecte o cablee la bomba en su propio un ramal individual, sin ninguna otra toma de corriente ni equipo conectados al mismo. El tamaño de los fusibles o de los disyuntores debe ser de acuerdo a la tabla de *Especificaciones del motor, conmutador y cordón*.

**⚠ ADVERTENCIA Riesgo de choque eléctrico.** Puede provocar choque, quemadura o muerte. Asegúrese de que la información sobre el suministro de corriente (tensión/hertz/fase) que aparece en la placa de fábrica del motor de la bomba, corresponda exactamente con el suministro de corriente de entrada. Instale la bomba conforme a todos los códigos eléctricos que correspondan.

## Advertencia sobre la sujeción por medio del cordón

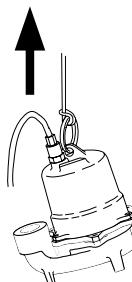
**⚠ ADVERTENCIA**



**Riesgo de choque eléctrico.**

Puede quemar o matar.

No levante la bomba por medio del cordón de corriente.



1. Si se trata de levantar o sostener la bomba por medio del cordón de corriente, se puede dañar el cordón y sus conexiones.
2. El cordón se puede dividir, dejando expuestos los hilos desnudos y la posibilidad de incendios o choques eléctricos.
3. Si la bomba se levanta o se sostiene por medio del cordón de corriente, la garantía quedará inválida.
4. Use el aro o mango de sujeción en la parte superior de la bomba para levantarla o bajarla. Desconecte la corriente a la bomba antes de realizar trabajos en la bomba o de tratar de sacarla del sumidero.

## Operación

**⚠ ADVERTENCIA Riesgo de incendio o de explosión.** Puede causar lesiones graves, daños materiales o muerte. No se debe usar en atmósferas explosivas. Esta bomba se debe utilizar solamente para bombear agua.

**AVISO** No permita que la bomba marche en un sumidero seco, ya que invalidará la garantía y podrá perjudicar a la bomba.

Un protector automático de sobrecarga en el motor protegerá al motor para que no se queme debido a recalentamiento o sobrecarga. Cuando el motor se enfríe, el protector de sobrecarga se repositionará automáticamente y arrancará el motor.

Si la sobrecarga se dispara con frecuencia, verifique cuál es la causa. Podría ser un impulsor atascado, tensión baja o inadecuada, o una falla eléctrica en el motor. Si se sospecha que la razón es una falla eléctrica en el motor, llame a una persona calificada para reparaciones.

La bomba viene lubricada en forma permanente. No se necesita aceitar ni engrasar.

## Mantenimiento

### Generalidades

**⚠ ADVERTENCIA Riesgo de choque eléctrico.** Puede provocar choque, quemadura o muerte. Antes de sacar la bomba de la esclusa para mantenimiento o reparaciones, siempre desconecte la corriente eléctrica a la bomba y al conmutador de control. No levante la bomba por medio del cordón eléctrico. Consulte la *Advertencia sobre la sujeción por medio del cordón*.

Después de sacar la cubierta de la esclusa y la tubería de descarga necesaria, levante y saque la bomba fuera de la esclusa.

Coloque la bomba en una zona en donde se pueda limpiar bien. Saque toda oxidación y depósitos que se hayan acumulado en la bomba.

Sumerja toda la bomba en una solución desinfectante (lejía con cloro) por lo menos durante una hora antes de desarmar la bomba.

La caja del motor de la bomba contiene un aceite especial de lubricación que se debe mantener limpio y sin agua en todo momento.

**AVISO** Siempre que se saque la caja del motor para mantenimiento o reparaciones, saque también el aceite y cámbielo por un aceite nuevo cuando vuelva a armar el motor. Use solamente el tipo de aceite indicado en la lista de repuestos en este manual. Cuando rellene con aceite nuevo **NO** llene demasiado. Siempre permita que quede un espacio de aire de 7/8" (22 mm) desde la parte superior del lomo de la caja para que el aceite se pueda expandir cuando la bomba esté en funcionamiento.

### Desensamblaje de la bomba

Véase bombear el desmontaje, la Figura 1.

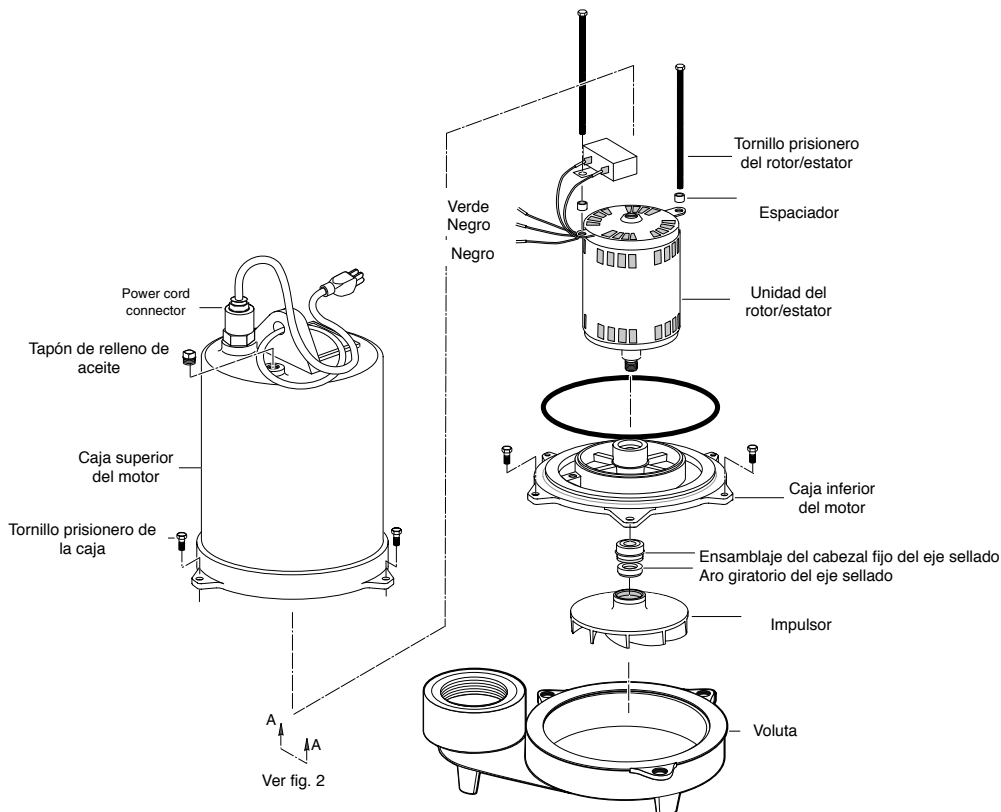
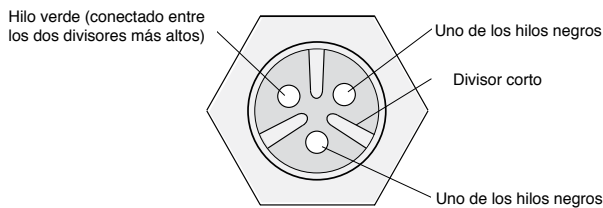


Figura 1 - Desensamblaje de la bomba

## Cambio del impulsor y de la junta

1. Saque el tapón de relleno de aceite e invierta la bomba para drenar el aceite.
2. Saque los tornillos prisioneros que sostienen la caja superior del motor a la caja inferior del motor; levante y saque la caja superior del motor y retire los hilos conductores del motor del conector para desprender la caja superior de la unidad. Los hilos conductores están equipados con bornes de conexión rápida para este fin.
3. Saque los tornillos prisioneros que sostienen la caja inferior del motor a la voluta; levante y saque la caja inferior del motor.
4. Sostenga la unidad del eje de rotor y destornille el impulsor haciéndolo girar en la dirección opuesta a las agujas del reloj. Saque el impulsor y límpielo.

Si no se requiere ningún otro tipo de servicio, invierta las instrucciones que preceden, para volver a armar la bomba. Vuelva a conectar los hilos conectores del motor según se ilustra en la Figura 1, llene con aceite dieléctrico limpio SAE 5W-15W (ISO 22-44) de aceite mineral, verifique el nivel del aceite y vuelva a colocar el tapón de relleno. El aceite debe cubrir la parte superior del motor.



VISTA A-A

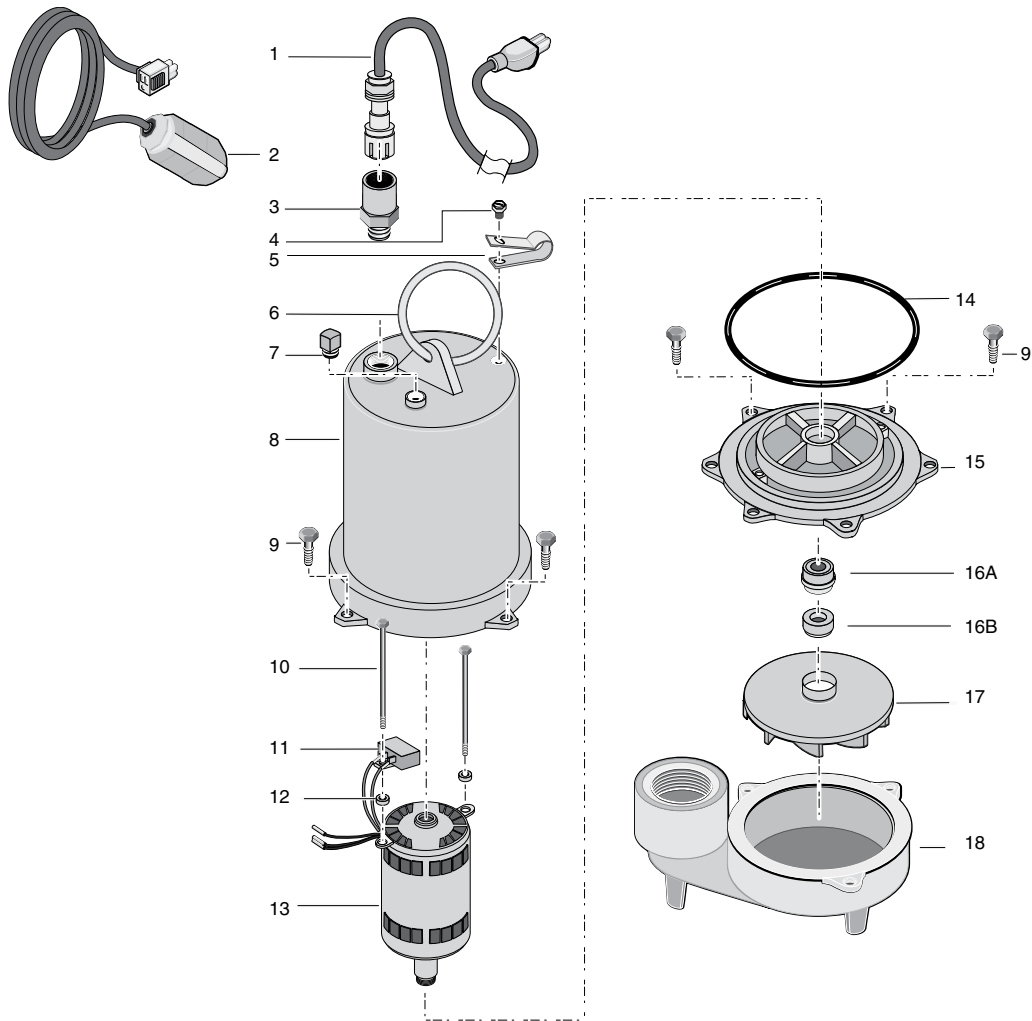
**Figura 2 - Los hilos conectores del motor**

## Cambio de la junta de estancamiento del eje

1. Siga las instrucciones que preceden para la remoción del impulsor.
2. Saque los tornillos prisioneros del estator y los espaciadores (si corresponde). Levante y saque el estator.
3. Saque el asiento de cerámica de la junta de estancamiento del eje y golpetee el cuerpo de la junta para sacarla de la caja inferior del motor.
4. Limpie bien la cavidad de estancamiento antes de instalar la nueva junta.  
**AVISO** Asegúrese de que las caras de la junta estén limpias; no raye ni dañe la cara de la nueva junta durante el cambio. Aplique junta de sellador con moderación en el borde exterior del cuerpo de la junta antes de instalarla en la caja inferior del motor.
5. Presione el cuerpo de la nueva junta en la posición correcta dentro de la cavidad de la caja inferior.
6. Presione el asiento de cerámica en el eje del motor. El impulsor lo forzará en la posición correcta.
7. Vuelva a armar el estator y apriete los tornillos prisioneros del estator. Si su bomba tiene un capacitor (Ref. No. 11), asegúrese de que el espaciador se encuentre debajo del mismo para mantenerlo lejos del aceite en el motor.  
**⚠ ADVERTENCIA Riesgo de choque eléctrico.** Puede provocar choque, quemadura o muerte. Descargue el capacitor antes de manipularlo. El choque eléctrico puede quemar o matar.
8. Vuelva a armar el impulsor y la bomba (invierta las instrucciones en el *Cambio del impulsor y de la junta*).
9. Instale el nuevo capacitor.
10. Vuelva a conectar los hilos conductores del motor según se ilustra en la Figura 2.
11. Llene con aceite dieléctrico limpio SAE 5W-15W (ISO 22-44) de aceite mineral, verifique el nivel del aceite y vuelva a colocar el tapón de relleno de aceite.

**▲ ADVERTENCIA** **Riesgo de choque eléctrico, cuchilla peligrosa y posibles arranques inesperados.** Si la corriente a la bomba está activada cuando se reposicione la sobrecarga térmica, es posible que la bomba arranque sin advertencia alguna. Si está trabajando en la bomba, existe el peligro de choques eléctricos o de que el impulsor atrape sus dedos o sus herramientas. Desconecte la corriente antes de realizar reparaciones en la bomba.

Síntoma	Causa(s) probable(s) / Acción correctiva
La bomba no funciona.	1. Verifique que el cordón de corriente esté bien enchufado en la toma de corriente o cableado firmemente en el controlador o la caja de conmutación. Desconecte la corriente hacia la toma de corriente antes de manipular la bomba o el motor.
	2. Verifique que haya corriente eléctrica.
	3. Verifique el nivel del fluido líquido sea suficiente para activar el conmutador o el controlador.
	4. Verifique que haya un orificio de ventilación de 3/16" (5 mm) en la tubería de descarga y que no esté tapado.
	5. Verifique que no hayan bloqueos en la admisión de la bomba, en el impulsor, en la válvula de retención o en la tubería de descarga.
	6. Desconecte la bomba de la fuente de energía por lo menos durante 30 minutos para permitir que el motor se enfríe, y para protegerse contra arranques repentinos. Consulte la Advertencia que aparece arriba. Verifique la causa del recalentamiento. La bomba está marchando en seco debido a que el conmutador de flotación se atascó con algo. La tubería de admisión está tapada. La tubería de salida está tapada.
La bomba no logra vaciar el sumidero.	1. Asegúrese de que todas las válvulas en la tubería de descarga estén totalmente abiertas.
	2. Limpie la tubería de descarga y la válvula de retención.
	3. Verifique que no hayan bloqueos en la admisión de la bomba o en el impulsor.
	4. El tamaño de la bomba no es adecuado. Es posible que se requiera una bomba de mayor capacidad.
La bomba no se apaga.	1. Verifique que los flotadores automáticos del conmutador o del controlador estén funcionando y se encuentren ubicados correctamente. Consulte las instrucciones de la instalación del conmutador/controlador.
	2. Si la bomba no funciona de ninguna manera o continúa funcionando mal, consulte a su técnico de reparaciones local.



Ref.	Descripción	Cant.	SHEF42M1	SHEF42A1
1	Cordón de corriente, 20'	1	PW117-122-TSE	
	Cordón de corriente, 30'		PW117-293-TSU	
2	Conmutador automático de flotación	1	-	PS17-109
3	Conector del cordón	1	PS17-46P	
4	Tornillo prisionero #8 – 32 x 1/2"	1	-	U30-539SS
5	Abrazadera del cordón del conmutador	1	-	CC0030-13
6	Manija anular	1	U97-128	
7	Enchufe de 1/4" NPT	1	U78-57DT	
8	Caja superior del motor	1	PW18-133	
9	Tornillo prisionero #10 – 32 x 3/4"	6	U30-482SS	
10	Tornillo prisionero #10 – 32 x 3-1/8"	2	U30-963ZP	
11	Capacitor	1	PS18-148	
12	Espaciador	2	U43-139	
13	Motor	1	PW118-145	
14	Aro tórico	1	U9-339	
15	Caja inferior del motor	1	PW18-134	
16A	Ensamblaje del cabezal fijo del eje sellado	1	U9-379A	
16B	Aro giratorio del eje sellado	1	U9-379C	
17	Impulsor	1	PW5-16P	
18	Voluta	1	PW1-16	