

# HYDROMATIC® SHEF42 CAST IRON SUBMERSIBLE EFFLUENT PUMP

The SHEF42 Series Pump features a 2" NPT vertical discharge and a semi-open impeller capable of handling up to 3/4" solids with a 4/10 HP single phase motor for septic applications.

## Applications

- Effluent and wastewater removal
- Sump drainage
- Dewatering
- Flood control



# HYDROMATIC® SHEF42 CAST IRON SUBMERSIBLE EFFLUENT PUMP

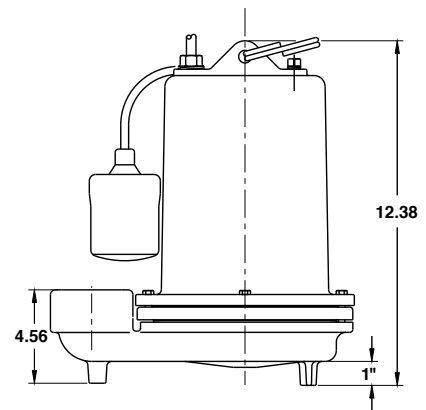
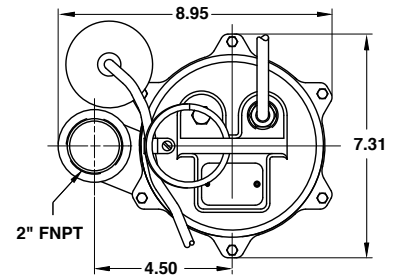
## Features

Bearings and Mechanical Seal	Permanently lubricated for long life.
Impeller	Semi-open style, pump out vanes for seal protection.
Overload Protection	Built-in thermal overload with automatic reset.
Cord Design	Prevents oil loss from and moisture protection for motor.
Serviceability	Heavy-duty lift out ring, field serviceable.
Solids Handling	3/4" spherical capability.
Stainless Steel Hardware	Allows easy disassembly after extended service.
Controls	Standard controls available for automatic operation.

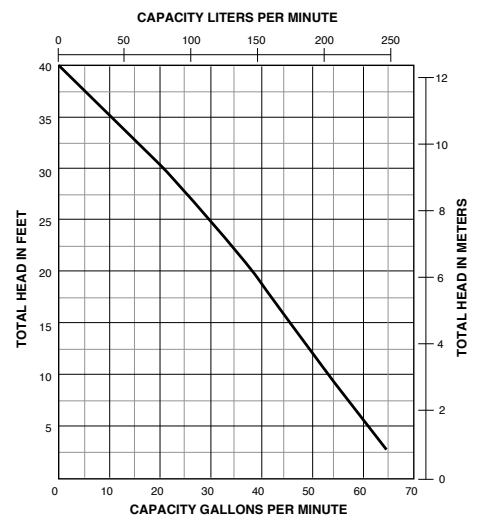
## Specifications

Volute Casing	Cast Iron
Upper and Lower Motor Housing	Cast Iron
Impeller	Fiberglass reinforced Noryl® with threaded insert
Mechanical Seal	Type 6A or equal, Buna-N elastomers, carbon and ceramic sealing faces, stainless steel metal parts
Bearings	Lower ball, upper sleeve type, oil lubricated
Exterior Hardware and Nameplate	Stainless steel
Motor	4/10 HP, 3450 RPM, 115 Volts single phase, 60 Hz. Oil-filled. Built-in thermal overload protection with automatic reset and permanent split capacitor on single phase only. Stainless steel motor shaft.
Power Cord	20' oil and water resistant 18-3 SJTW-A/SJTW with integrally grounded 3-prong plug, single phase. UL Listed. Stainless steel cord connector.
Maximum Liquid Temperature Limits	130°F (55°C)

## Outline Dimensions



## Pump Performance



USA  
740 EAST 9TH STREET, ASHLAND, OHIO 44805 WWW.HYDROMATIC.COM  
PH: 888-957-8677 ORDERS FAX: 888-840-7867

CANADA  
269 TRILLIUM DRIVE, KITCHENER, ONTARIO, CANADA N2G 4W5  
PH: 519-896-2163 ORDERS FAX: 519-896-6337

Because we are continuously improving our products and services, Pentair reserves the right to change specifications without prior notice.