

# HYDROMATIC® HTS50 CAST IRON SUBMERSIBLE HIGH TEMPERATURE EFFLUENT PUMP

## Applications:

- Boiler Blow Down Kits
- Condensate Pits
- Hot Water Sumps

The HTS50 Series Pump is a rugged, submersible cast iron pump with a non-clog, vortex impeller and features silicon carbide seals. It has solids handling capability to 3/4" and is designed to handle liquids to 200°F (93°C). Unit has a 1/2 HP single phase motor complete with power cord. 2" NPT vertical discharge is standard.



# HYDROMATIC® HTS50 CAST IRON SUBMERSIBLE HIGH TEMPERATURE EFFLUENT PUMP

## Pump Characteristics

Pump/Motor Unit	Submersible
Motor	1/2 HP, Class F insulation, Oil-filled, built in thermal overload protection with automatic reset, stainless steel motor shaft and impeller lock nut, 3450 RPM
Electrical	115V, 1 $\phi$ , 12A, 60 Hz
Switch Type	Tethered
Operation	Automatic On: 17.8" (452 mm) Off: 8.8" (224 mm)
Maximum Liquid Temperature	200°F (93°C)
Solids Handling	3/4" (19 mm)
Power Cord	20' 16-4 S00W-A/S00W

## Materials of Construction

Motor/Volute Housing	Cast Iron
Mechanical Seal	Type 6A or equal, Buna-N elastomers, silicon carbide sealing faces, stainless steel metal parts
Impeller	Cast Iron
Exterior Hardware	Stainless Steel
Bearings	Ball type, oil lubricated

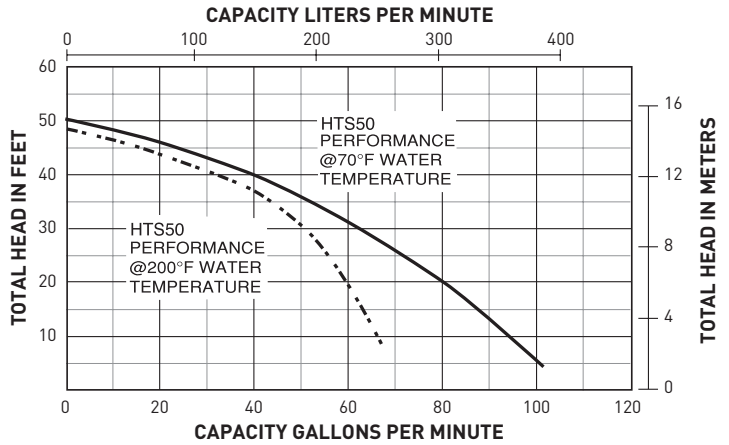
## PW217-280\*

HTS50 Control Box with high Temp Float Switch

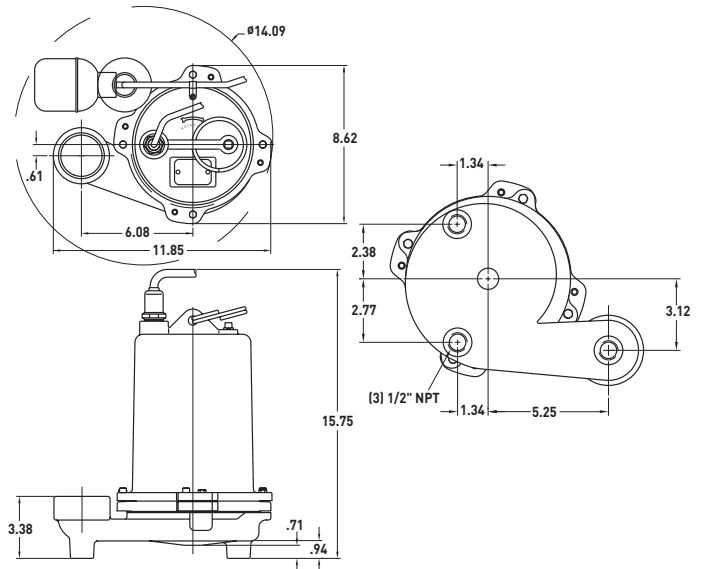


\*Control box is necessary for the HTS50, and is not included with the pump. You must order it separately.

## Performance Data



## Dimensional Data



All dimensions in inches. Metric for international use. Component dimensions may vary  $\pm 1/8$  inch. Dimensional data not for construction purpose unless certified. Dimensions and weights are approximate. On/Off level adjustable.



USA  
293 WRIGHT STREET, DELAVAN, WI 53115 WWW.HYDROMATIC.COM  
PH: 888-957-8677 ORDERS FAX: 800-426-9446

CANADA  
269 TRILLIUM DRIVE, KITCHENER, ONTARIO, CANADA N2G 4W5  
PH: 519-896-2163 ORDERS FAX: 519-896-6337

Because we are continuously improving our products and services, Pentair reserves the right to change specifications without prior notice.