

HYDROMATIC® HTS33 SERIES CAST IRON SUBMERSIBLE HIGH TEMPERATURE EFFLUENT PUMPS

Applications:

- Boiler Blow Down Kits
- Condensate Pits
- Hot Water Sumps

The HTS33 Series Pump is a rugged, submersible, cast iron pump with a non-clog vortex impeller and solids handling capability to 3/4". Unit has 1/3 HP, 115 Volt, single-phase motor and 1 1/2" NPT vertical discharge. Available with high temperature float switch.

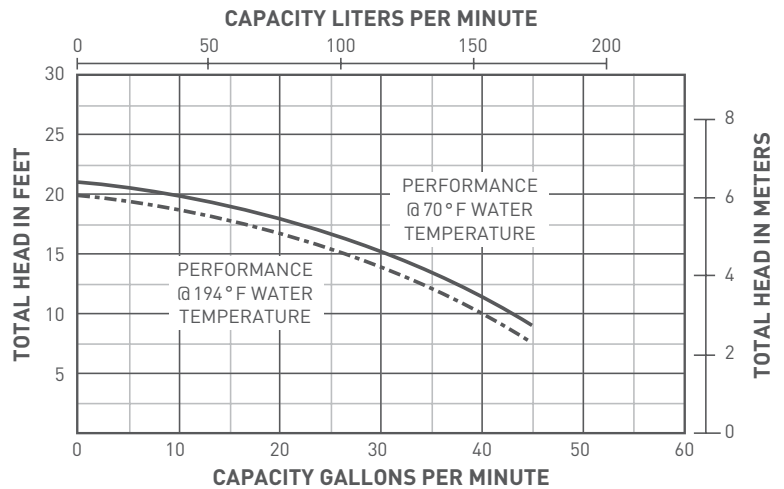


HYDROMATIC® HTS33 SERIES CAST IRON SUBMERSIBLE HIGH TEMPERATURE EFFLUENT PUMPS

Pump Characteristics

| | | |
|----------------------------|------------------------------------------------------------------------------------------|--------------|
| Pump/Motor Unit | Submersible | |
| Motor | 1/3 HP, 1550 RPM, Oil-filled, Built-in thermal overload protection with automatic reset. | |
| Electrical | 115V, 1ø, 12A, 60 Hz | |
| Models | HTS33M1 | HTS33A1 |
| Switch Type | Manual | Tethered |
| Maximum Liquid Temperature | 200°F (93°C) | 194°F (90°C) |
| Operation | Automatic On: 13.5" (343 mm) Off: 4.5" (114 mm) | |
| Solids Handling | 3/4" spherical solid | |
| Power Cord | 20' oil and water resistant 16-3 SJ00W-A/SJOW with integrally grounded three-prong plug | |

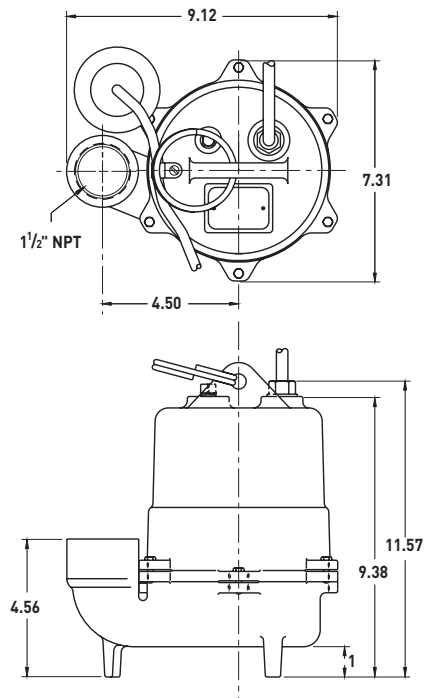
Performance Data



Materials of Construction

| | |
|----------------------------|----------------------------------------------------------------------------------------------------|
| Motor/Volute Housing | Cast Iron |
| Mechanical Seal | Type 6A or equal, Buna-N elastomers, carbon and ceramic sealing faces, stainless steel metal parts |
| Impeller | Cast Iron |
| Exterior Hardware | Stainless Steel |
| Lower Motor Housing O-Ring | Buna-N |
| Bearings | Lower ball, upper sleeve type, oil lubricated |

Dimensional Data



All dimensions in inches. Metric for international use. Component dimensions may vary $\pm 1/8$ inch. Dimensional data not for construction purpose unless certified. Dimensions and weights are approximate. On/Off level adjustable.



USA
293 WRIGHT STREET, DELAVAN, WI 53115 WWW.HYDROMATIC.COM
PH: 888-957-8677 ORDERS FAX: 800-426-9446

CANADA
269 TRILLIUM DRIVE, KITCHENER, ONTARIO, CANADA N2G 4W5
PH: 519-896-2163 ORDERS FAX: 519-896-6337

Because we are continuously improving our products and services, Pentair reserves the right to change specifications without prior notice.