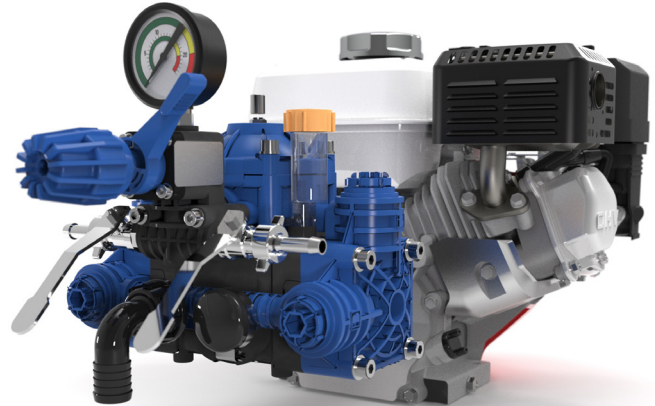


# MEDIUM PRESSURE POLY DIAPHRAGM PUMP WITH HONDA™ ENGINE

## DP302GRGI-160H

### FEATURES

- ◆ Polypropylene heads, manifolds, and control unit.
- ◆ Two Duramax diaphragms. Crown shaped pistons.
- ◆ Valves: 316 stainless steel spherical profiled valve poppet.
- ◆ Case Material: Aluminum
- ◆ Inlet Port: 1"/25mm
- ◆ Outlet Port: 1/2"/13mm
- ◆ Max Fluid Temp: 140°F/60°C
- ◆ Weight: 12.3 lbs/5.6 kg
- ◆ Poly Diaphragm Pump
- ◆ Gearbox & Controller
- ◆ 3/4" H Shaft
- ◆ 7.1 GPM with a Honda engine GX160 - 8.2 GPM
- ◆ 290 PSI

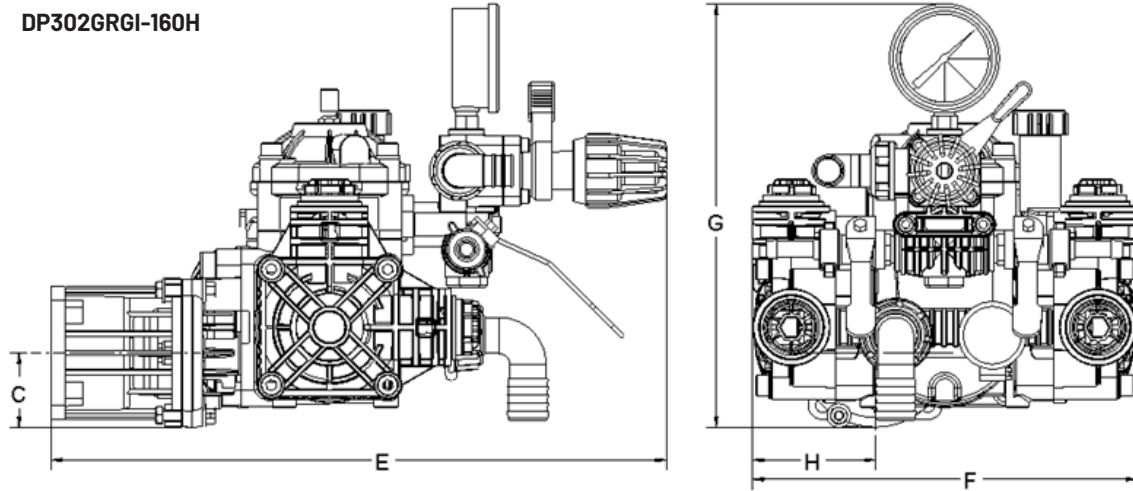


### PERFORMANCE INFORMATION

PRESSURE PSI	RPM							
	400		450		500		550	
	GPM	HP	GPM	HP	GPM	HP	GPM	HP
30	6.3	0.0	6.9	0.2	7.6	0.2	8.2	0.2
145	5.9	0.7	6.5	0.7	7.1	0.8	7.7	0.9
218	5.7	1.0	6.3	1.1	6.8	1.2	7.4	1.2
290	5.5	1.2	6.0	1.4	6.6	1.5	7.1	1.6

PRESSURE BAR	RPM							
	400		450		500		550	
	LPM	KW	LPM	KW	LPM	KW	LPM	KW
2	23.8	0.1	26.2	0.1	28.6	0.1	31.0	0.1
10	22.3	0.5	24.5	0.5	26.8	0.6	29.0	0.6
15	21.5	0.7	23.7	0.8	25.8	0.9	28.0	0.9
20	20.8	0.9	22.8	1.0	24.9	1.1	27.0	1.2

**DIMENSIONAL DATA**



DIM	IN	MM
A	-	-
B	-	-
C	1.8	46
D	-	-
E	15.0	381
F	9.4	238
G	10.4	264
H	3.0	76

**ORDERING INFORMATION**

MODEL NUMBER	DESCRIPTION	MAX FLOW GPM (LPM)	MAX PRESSURE PSI [BAR]	MAX SPEED RPM	POWER HP [KW]	# OF DIAPHRAGMS
9915-DP302	PUMP ASSEMBLY	7.1[27]	290 [20]	650	1.6 [1.2]	2
9915-DP302GRGI	PUMP GEARBOX CONTROLLER 3/4" HOLLOW SHAFT			3450		
9915-DP302AP-A	PUMP GEARBOX CONTROLLER 3/4" SOLID SHAFT			650		
9915-KIT1008	CONTROL UNIT	-	-	-	-	-
9915-KIT1406	CONTROL UNIT REMOTE MOUNTING KIT	-	-	-	-	-
9915-KIT2001	DIAPHRAGM KIT	-	-	-	-	-
9915-KIT2101	VALVE KIT	-	-	-	-	-
9915-KIT2201	PUMP KIT	-	-	-	-	-
9915-KIT1101	GEAR REDUCTION KIT 3/4" SHAFT	-	-	-	-	-
9915-KIT1201	3/4" SHAFT KIT	-	-	-	-	-
9915-KIT1202	1" SHAFT KIT	-	-	-	-	-
9915-KIT1203	1-3/8" MALE SPLINED SHAFT KIT	-	-	-	-	-
9915-KIT1402	HOSE BARB OUTLET KIT 1/2" [13MM]	-	-	-	-	-



375 Fifth Ave NW,  
New Brighton, MN 55112 U.S.  
Ph: 651-766-6300, 800-424-9776  
Fx: 800-323-6496

[pentair.com](http://pentair.com)

All indicated Pentair trademarks and logos are property of Pentair. Third party registered and unregistered trademarks and logos are the property of their respective owners. Because we are continuously improving our products and services, Pentair reserves the right to change specifications without prior notice. Pentair is an equal opportunity employer.

<sup>TM</sup>Honda is a registered trademark of Honda Motor Co., Ltd.

©2022 Pentair. All Rights Reserved.

HYP40002 (09/01/22)