

LOW PRESSURE POLY DIAPHRAGM PUMP

9915-DP1003

FEATURES

- Chemical resistant polypropylene over molded aluminum heads and manifolds.
- Three Duramax diaphragms, crown shaped pistons.
- Valves: 316 stainless steel spherical profiled valve poppet.
- Case Material: Aluminum
- Inlet Port: 1-3/8"/35 mm
- Outlet Port: 1"/25 mm
- Max Fluid Temp: 140°F/60°C
- Weight: 24.2 lbs/11 kg



PERFORMANCE INFORMATION

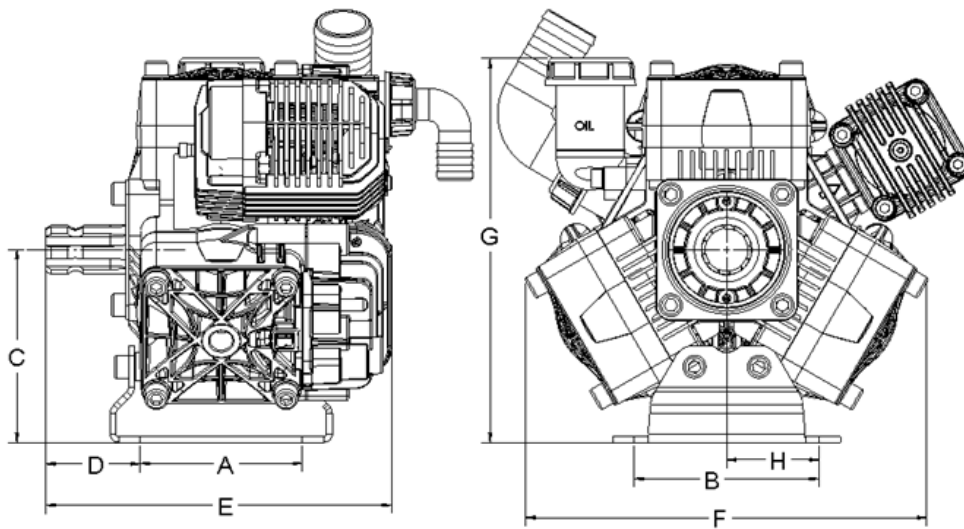
PRESSURE PSI	RPM							
	400		450		500		550	
	GPM	HP	GPM	HP	GPM	HP	GPM	HP
30	20.4	0.4	22.9	0.5	25.5	0.5	28.1	0.6
72	20.2	1.0	22.7	1.1	25.2	1.3	27.7	1.4
145	19.8	2.0	22.3	2.2	24.7	2.5	27.2	2.7
218	19.6	2.9	22.0	3.3	24.5	3.6	26.9	4.0

PRESSURE BAR	RPM							
	400		450		500		550	
	LPM	KW	LPM	KW	LPM	KW	LPM	KW
2	77.1	0.3	86.7	0.3	96.4	0.4	106.0	0.4
5	76.4	0.7	85.9	0.8	95.5	0.9	105.0	1.0
10	74.9	1.5	84.3	1.7	93.6	1.8	103.0	2.0
15	74.2	2.2	83.5	2.5	92.7	2.7	102.0	3.0

ORDERING INFORMATION

MODEL NUMBER	DESCRIPTION	MAX FLOW GPM [LPM]	MAX PRESSURE PSI [BAR]	MAX SPEED RPM	POWER HP [KW]	NUMBER OF DIAPHRAGMS
9915-DP1003	Pump Assembly 1-3/8" 6-Spline	26.8 [102]	218 [15]	550	4 [3]	3
9915-KIT1004	Control Unit Kit					
9915-KIT2004	Diaphragm Kit					
9915-KIT2104	Valve Kit					
9915-KIT2204	Pump Kit					
9915-KIT1301	Safety Cone					

DIMENSIONAL DATA



DIM	IN	MM
A	4.5	114
B	5.1	130
C	5.3	135
D	2.6	66
E	9.5	241
F	11.0	280
G	10.6	269
H	2.5	65



375 Fifth Ave NW,
 New Brighton, MN 55112 U.S.
 PHONE: 651-766-6300, 800-424-9776
 FAX: 800-323-6496

pentair.com

All indicated Pentair trademarks and logos are property of Pentair. Third party registered and unregistered trademarks and logos are the property of their respective owners. Because we are continuously improving our products and services, Pentair reserves the right to change specifications without prior notice. Pentair is an equal opportunity employer.

HYP2106DS (04/15/2021) ©2021 Pentair. All Rights Reserved.