

# MYERS® S40HT SERIES

The Myers S40HT series effluent pump is a small, rugged, submersible, cast iron pump with a non-clog vortex impeller and solids handling capability to 3/4". Unit has 1/3 HP, 115 Volt, single-phase motor and 1-1/2" NPT vertical discharge. Available with high temperature float switch.



## APPLICATIONS

Boiler blow down pits, condensate pits, hot water sumps

## SPECIFICATIONS

**Capacities** – 45 GPM (170 LPM)  
**Shut-off Head** – 21' (6.4 m)  
**Operation** – S40HT-11P  
 On: 13.5" (343 mm); Off: 4.5" (114 mm)  
**Operation** – Manual and automatic  
**Solids Handling** – 3/4" (19 mm)  
**Liquids Handling** –  
 High temperature liquids  
**Intermittent Liquid Temperature** –  
 S40HT-11P: up to 194°F (90°C)  
 S40HT-11: up to 200°F (93°C)  
**Motor/Electrical Data** – 1/3 HP, 12.0A,  
 thermal overload protection, oil-filled,  
 115V, 1Ø, 60Hz, 1550 RPM  
**Acceptable pH Range** – 6-9  
**Mechanical Seal** – Type 6A or equal,  
 Buna-N elastomers, carbon and ceramic  
 sealing faces, stainless steel metal parts  
**Bearings** – Lower ball, upper sleeve type,  
 oil lubricated  
**Housing/Volute Case/Impeller** – Cast  
 iron  
**Exterior Hardware** – Stainless steel  
**Power Cord** – 20', 16/3, SJ00W-A/SJOW  
 with integrally grounded three-prong plug  
**Discharge, NPT** – 1-1/2" (38.1 mm)  
**Minimum Sump Diameter** – Simplex: 18"  
 (45.7 cm); Duplex: 30" (76.2 cm)

## FEATURES

### Cast Iron Tough

All cast-iron housing, volute case, and impeller resists the most extreme corrosive environments

### Rugged and Cool

Rugged-built, oil-filled motor for continuous bearing lubrication and maximum heat dissipation

### Thermal Protection

Heat sensor overload protection with automatic reset when motor cools to a safe operating temperature

### Longer-lasting Motor

Lower ball bearing eliminates sleeve bearing wear and reduces motor wear

### Impeller

Non-clog vortex style, ejector vanes for seal protection

### Stainless Steel Hardware

Allows easy disassembly after extended service

### Oil and Water Resistant Cord Design

Prevents oil loss from – and moisture protection for – motor

### Bearings and Mechanical Seal

Permanently lubricated for long life

### Easy Service

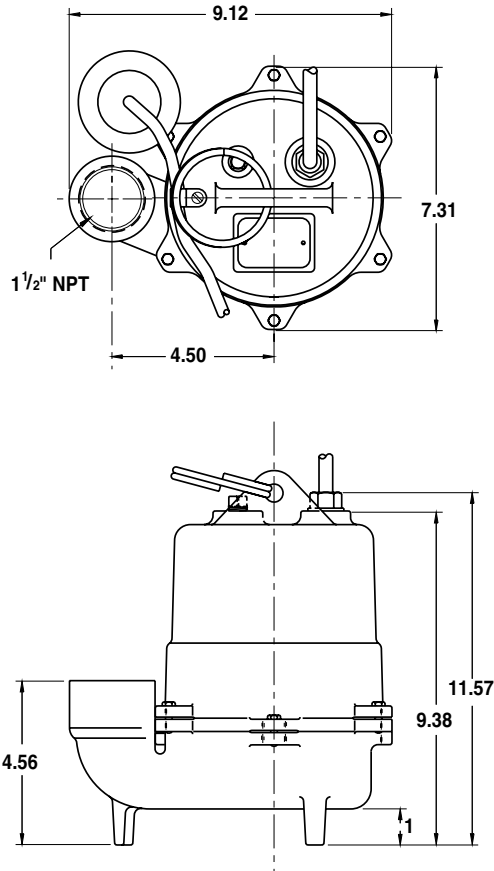
Heavy-duty lift-out ring

## ORDERING INFORMATION

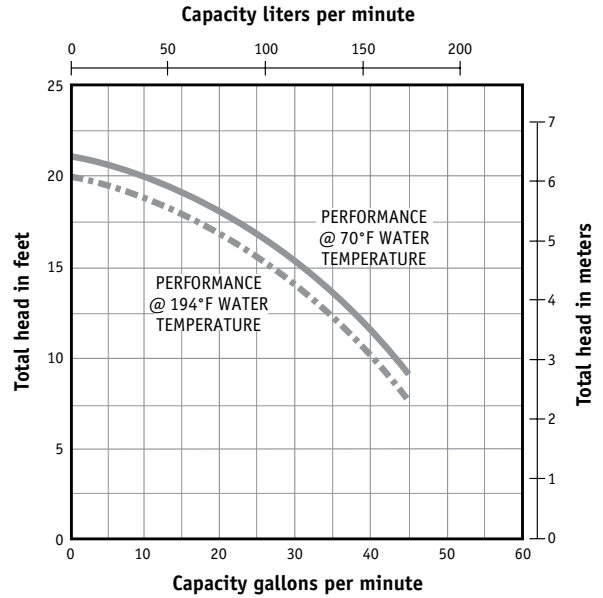
Catalog Number	HP	Volts	Phase/Cycles	Amps	Discharge Size	Switch Type	Cord Length	Approx. Wt. Lbs.
S40HT-11	1/3	115	1/60	12	1-1/2"	Manual	20'	36
S40HT-11P	1/3	115	1/60	12	1-1/2"	Tethered	20'	36

# MYERS® S40HT SERIES

## DIMENSIONS



## PUMP PERFORMANCE



USA  
293 WRIGHT STREET, DELAVAN, WI 53115 WWW.FEMYERS.COM  
PH: 888-987-8677 ORDERS FAX: 800-426-9446

CANADA  
490 PINEBUSH ROAD, UNIT 4, CAMBRIDGE, ONTARIO N1T 0A5  
PH: 800-363-7867 ORDERS FAX: 888-606-5484

Because we are continuously improving our products and services, Pentair reserves the right to change specifications without prior notice.