

Centri-Thrift: 125M, 150M, and 200M



Continuous service pumps must be rugged and reliable. Over the years, Myers Centri-Thrift pumps have earned a reputation for dependable and efficient performance in demanding continuous service applications.

The Centri-Thrift line is available in 1-1/4", 1-1/2", and 2" discharge sizes. Horsepower range from 2 HP to 7 1/2 HP with capacities up to 240 gpm and heads to 140 feet. The pumps are available as standard fitted, and can be either close-coupled or belt driven.

For added versatility, the volute on the 125M, 150M, and 200M series can be rotated to eight positions at 45° intervals. These adjustments allow for ease of installation and servicing without disturbing the system's piping.

CONSTRUCTION MATERIALS

Shaft Seal: Mechanical seal features a ceramic seat, carbon washer, stainless steel spring, brass metal parts, and a synthetic rubber bellows. Suitable for temperatures up to 140°F. All seals are self-adjusting and easily replaced.

Volute Case: High tensile gray iron with threaded suction and discharge connections.

Bracket: High tensile gray iron. Provides mount for motor and volute case.

Gasket: Field proven material resistant to most liquids. Provides a seal between the volute case and bracket.

Impeller: Bronze, closed one piece design, dynamically balanced to prevent vibration. Attached with a key and stainless steel capscrew to prevent backoff.

Shaft: Stainless steel stub shaft couples motor and pump together. This corrosion resistant shaft provides perfect alignment for quiet, troublefree operation.

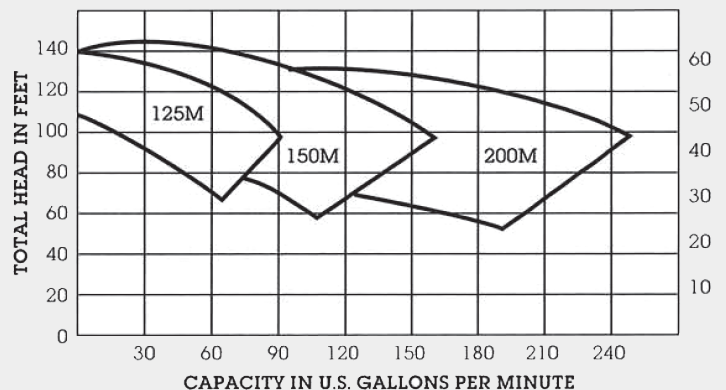
Slinger: Rubber slinger ring protects motor from moisture damage.

Drain Plugs: Located in four positions to allow easy draining of the pump case in any position.

Motor: Standard NEMA C Face, open drip-proof, end mounted, 3600 RPM, 60 Hz. Single or three phase in 2 to 5 HP range and three phase for the 7 1/2 HP size. Single phase are available in 115/230 volts and three phase in 230/460 volts. All motors are matched to their individual impeller to prevent overloading.

PUMP PERFORMANCE: 125M, 150M & 200M

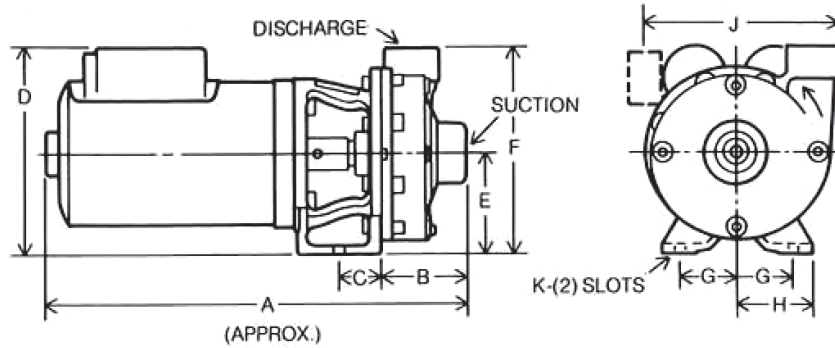
(For proper pump selection, refer to individual pump performance curve.)



Centri-Thrift: 125M, 150M, and 200M

DIMENSIONS:

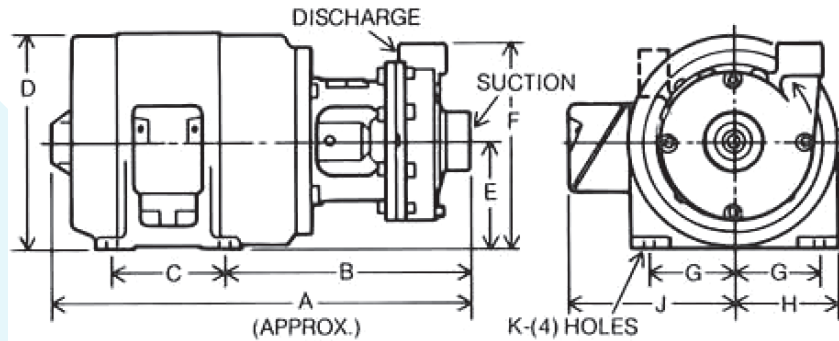
125M- 150M- 200M SERIES 2 AND 3 HP



MODEL	HP	PHASE	DISCHARGE	SUCTION	DIMENSIONS, INCHES									
					A	B	C	D	E	F	G	H	J	K
125M	2	1	1 1/4"	1 1/2"	18 5/8	3 13/16	1 13/16	9 3/4	4 1/2	9 3/16	2 1/2	3 5/16	8 1/4	1/2
	2	3	1 1/4"	1 1/2"	18 1/16	3 13/16	1 13/16	7 3/4	4 1/2	9 3/16	2 1/2	3 5/16	8 1/4	1/2
	3	1	1 1/4"	1 1/2"	19 15/16	3 13/16	1 13/16	9 3/4	4 1/2	9 3/16	2 1/2	3 5/16	8 1/4	1/2
	3	3	1 1/4"	1 1/2"	18 11/16	3 13/16	1 13/16	7 3/4	4 1/2	9 3/16	2 1/2	3 5/16	8 1/4	1/2
150M	2	1	1 1/2"	2"	18 15/16	4 1/8	1 13/16	9 3/4	4 1/2	9 3/16	2 1/2	3 5/16	8 7/16	1/2
	2	3	1 1/2"	2"	18 3/8	4 1/8	1 13/16	7 3/4	4 1/2	9 3/16	2 1/2	3 5/16	8 7/16	1/2
	3	1	1 1/2"	2"	20 1/4	4 1/8	1 13/16	9 3/4	4 1/2	9 3/16	2 1/2	3 5/16	8 7/16	1/2
200M	3	3	1 1/2"	2"	19	4 1/8	1 13/16	7 3/4	4 1/2	9 3/16	2 1/2	3 5/16	8 7/16	1/2
	3	1	2"	2 1/2"	20 3/4	4 5/8	1 13/16	9 3/4	4 1/2	9 7/16	2 1/2	3 5/16	9 3/16	1/2
	3	3	2"	2 1/2"	19 3/4	4 5/8	1 13/16	7 3/4	4 1/2	9 7/16	2 1/2	3 5/16	9 3/16	1/2
	3	3	2"	2 1/2"	19 3/4	4 5/8	1 13/16	7 3/4	4 1/2	9 7/16	2 1/2	3 5/16	9 3/16	1/2

DIMENSIONS:

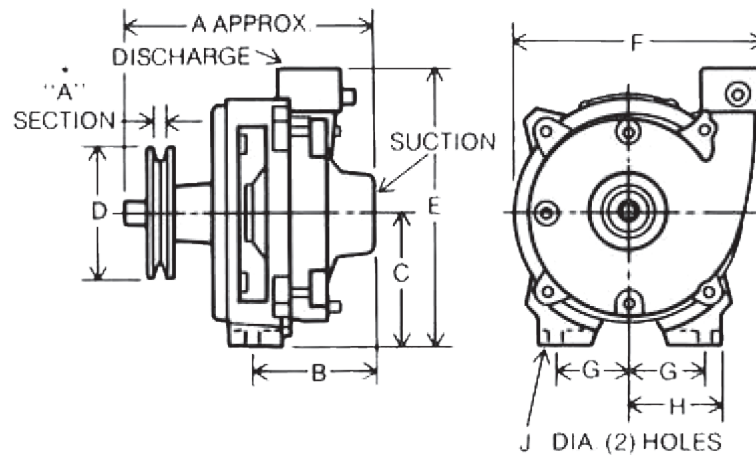
150M- 200M SERIES 5 AND 7 1/2 HP



MODEL	HP	PHASE	DISCHARGE	SUCTION	DIMENSIONS, INCHES									
					A	B	C	D	E	F	G	H	J	K
150M	5	1	1 1/2"	2"	21 13/16	11 11/16	5 1/2	9 3/16	4 1/2	9 3/4	3 3/4	4 1/2	8 1/2	13/32
	5	3	1 1/2"	2"	19 15/16	11 11/16	4 1/2	9 3/16	4 1/2	9 3/4	3 3/4	4 1/2	7	13/32
200M	5	1	2"	2 1/2"	22 5/16	12 13/16	5 1/2	9 3/16	4 1/2	9 7/16	3 3/4	4 1/2	8 1/2	13/32
	5	3	2"	2 1/2"	21 7/16	12 13/16	4 1/2	9 3/16	4 1/2	9 7/16	3 3/4	4 1/2	7	13/32
	7 1/2	3	2"	2 1/2"	22 1/16	12 13/16	5 1/2	9 3/16	4 1/2	9 7/16	3 3/4	4 1/2	7	13/32

Centri-Thrift: 125M, 150M, and 200M

DIMENSIONS: 125B-150B-200B BELT DRIVEN SERIES



MODEL	DISCHARGE	SUCTION	DIMENSIONS, INCHES									
			A	B	C	D*	E	F	G	H	J	DIA. SHAFT FOR PULLEY
125B	1 1/4"	1 1/2"	16	3 13/16	4 1/2	4 1/2	9 3/16	8 9/32	2 1/2	3 9/32	7/16	7/8
150B	1 1/2"	2"	16 5/16	5 27/32	4 1/2	4 1/2	9 3/4	8 7/16	2 1/2	3 9/32	7/16	7/8
200B	2"	2 1/2"	16 13/16	6 7/16	4 1/2	4 1/2	9 7/16	9 3/16	2 1/2	3 9/32	7/16	7/8

*Pulleys not included



**1101 Myers Parkway,
Ashland, OH 44805
USA
Ph: 888-416-9513**

**490 Pinebush Road
Unit 4
Cambridge, Ontario N1T 0A5
Canada
Ph: 800.363.7867
Orders Fax: 888.606.5484**

pentair.com

All indicated Pentair trademarks and logos are property of Pentair. Third party registered and unregistered trademarks and logos are the property of their respective owners. Because we are continuously improving our products and services, Pentair reserves the right to change specifications without prior notice. Pentair is an equal opportunity employer.

K3150 (01-20-21) ©2021 Pentair. All Rights Reserved.