

# SUBMERSIBLE SEWAGE PUMP

## MS4S AND MSB4S MODELS

The Myers MS4S/MSB4S Model Pumps are suited for wet-well installation in a wide variety of municipal, industrial and building trades applications. The pumps are designed to transfer raw sewage with solids as large as 3 inches through pipes up to 4 inches in diameter. Sewage pumps are necessary to move sewage from a building to the sewer system, and in many cases, from the sewer system to a treatment plant. In the case of larger commercial installations, collection systems are designed to accumulate and transfer the wastewater efficiently.

### APPLICATIONS

Municipal sewage lift stations, industrial sewage transfer, and dewatering of storm water.



### FEATURES

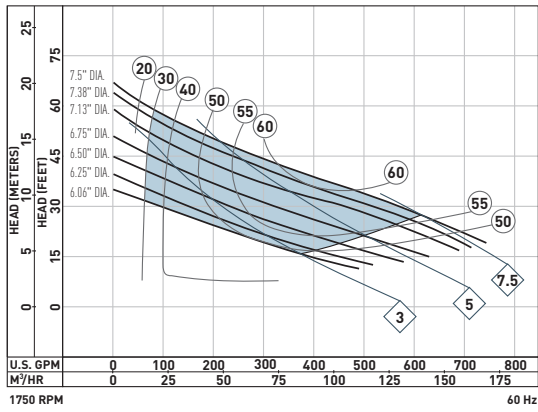
- ◆ **Motor:** The fully enclosed oil-filled motor efficiently dissipates heat and locks out moisture so you receive reliable pumping service.
- ◆ **CPE Jacketed Power Cord:** Sealed by both the cord grip and the epoxy barrier.
- ◆ **Stainless Steel Shaft:** Eliminates corrosion and fatigue to enable longer pump life. The minimum shaft overhang decreases deflection and increases bearing and seal life.
- ◆ **Ball Bearings:** The heavy duty ball bearings, upper (radial) and lower (thrust), are submerged in oil to provide permanent lubrication and ensure long service life.
- ◆ **Mechanical Seal:** Constructed with a ceramic stationary face and a carbon rotating face for long service life.
- ◆ **Impeller:** Two-vane, semi-open design for efficient operation without clogging. The impeller has pump-out vanes to prevent material buildup around shaft and seal.
- ◆ **Horizontal Discharge:** Model MS4S handles 3 inch spherical solids and has a flanged 4 inch horizontal discharge.
- ◆ **Vertical Discharge:** Model MSB4S handles 3 inch spherical solids and has a flanged 4 inch vertical discharge.
- ◆ **Oil-Filled Motor For Cooler Operation:** Longer life and less maintenance. The dielectric oil effectively dissipates heat and lubricates upper and lower ball bearings.
- ◆ **Field Serviceable:** Pumps have 300 Series Stainless Steel fasteners for easy teardown.
- ◆ Single-phase motors are capacitor start, capacitor run with capacitors located in control panel. Contact distributor for proper Pentair Myers® Control Panel sizing.

### SPECIFICATIONS

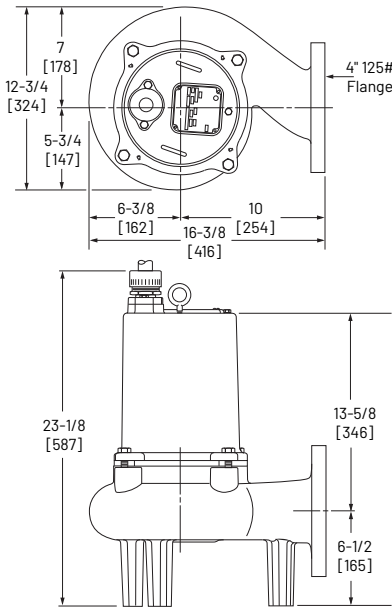
- ◆ **Capacities To:** 620 GPM (2347 LPM)
- ◆ **Heads To:** 59 ft. (17.9 m)
- ◆ **Solids Handling:** 3 in. (76 mm)
- ◆ **Liquids Handling:** Sewage transfer, drain water, and effluent
- ◆ **Intermittent Liquid Temp.:** Up to 140°F (60°C)
- ◆ **Winding Insulation Temp. (Class F):** 311°F (591°C)
- ◆ **Available Motors:** 1750 RPM; 3, 5, 7-1/2 HP; 208, 230, 460 & 575 volts; 1 & 3 phase, 60 Hz
- ◆ **Specific Gravity:** .9 - 1.1
- ◆ **Viscosity:** 28 - 35 SSU
- ◆ **Discharge, Horizontal:** 4 in.
- ◆ **Motor Housing, Seal Housing, Cord Cap and Volute Case:** Cast Iron ASTM; A-48 Class 30
- ◆ **Impeller:** Ductile iron, ASTM A536
- ◆ **Power and Control Cord:** S00W, W
- ◆ **Mechanical Seals:** Standard = carbon/ceramic nitrile, Type 21
- ◆ **Pump, Motor Shaft:** 400 SST
- ◆ **Fasteners:** 300 Series SST

# SUBMERSIBLE SEWAGE PUMP MS4S/MSB4S MODELS

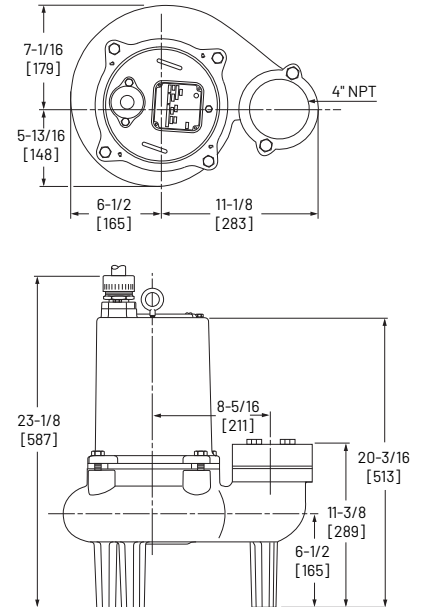
## PERFORMANCE DATA AND DIMENSIONS



### MS4S



### MSB4S



AVAILABLE MODELS		MOTOR ELECTRICAL DATA									
STANDARD	HP	VOLTS	PHASE	HERTZ	FULL LOAD AMPS	FULL LOAD KW	LOCKED ROTOR AMPS	START KVA	FULL LOAD KVA	NEC CODE LETTER	SERVICE FACTOR
MS(B)4S300M2-4	3	230	1	60	17.1	3.5	100	23.0	3.9	J	1.2
MS(B)4S300M6-4	3	208	3	60	10.9	3.5	49	17.6	3.8	G	1.2
MS(B)4S300M3-4	3	230	3	60	9.5	3.7	44	17.5	3.8	G	1.2
MS(B)4S300M4-4	3	460	3	60	4.8	3.7	22	17.5	3.8	G	1.2
MS(B)4S300M5-4	3	575	3	60	3.8	3.6	18	17.9	3.8	G	1.2
MS(B)4S500M2-4	5	230	1	60	29.5	5.4	108	24.8	6.8	E	1.2
MS(B)4S500M6-4	5	208	3	60	17.6	5.5	106	38.1	6.3	J	1.2
MS(B)4S500M3-4	5	230	3	60	15.3	5.4	96	38.2	6.1	J	1.2
MS(B)4S500M4-4	5	460	3	60	7.6	5.4	48	38.2	6.0	J	1.2
MS(B)4S500M5-4	5	575	3	60	6.1	5.4	39	38.8	6.1	J	1.2
MS(B)4S750M6-4	7-1/2	208	3	60	29.0	10.1	135	48.6	10.4	H	1.2
MS(B)4S750M3-4	7-1/2	230	3	60	25.2	8.3	122	48.5	10.0	H	1.2
MS(B)4S750M4-4	7-1/2	460	3	60	12.6	8.3	61	48.5	10.0	H	1.2
MS(B)4S750M5-4	7-1/2	575	3	60	10.1	6.9	49	48.7	10.0	H	1.2

MOTOR EFFICIENCIES AND POWER FACTOR									
MOTOR EFFICIENCY %						POWER FACTOR %			
HP	PHASE	SERVICE FACTOR LOAD	100% LOAD	75% LOAD	50% LOAD	SERVICE FACTOR LOAD	100% LOAD	75% LOAD	50% LOAD
3	1	73	73	69	62	88	85	79	70
3	3	72	72	70	64	88	88	85	79
5	1	69	69	67	59	88	86	82	72
5	3	76	75	73	68	81	76	68	58
7.5	3	76	76	74	69	80	75	67	54

## ORDERING INFORMATION

MODEL NUMBER	ENGINEERING NUMBER	HP	MAX CAPACITY	MAX HEAD	DISCHARGE NPT	SOLIDS HANDLING	VOLTS	FULL LOAD AMPS	PHASE	CORD LENGTH	SWITCH
MS4S300M2-4	28224E001	3	375	50	4"	3-1/2"	230	17.1	1	35'	M
MS4S300M6-4	28224E002	3	375	50	4"	3-1/2"	200	10.9	3	35'	M
MS4S300M3-4	28224E003	3	375	50	4"	3-1/2"	230	9.5	3	35'	M
MS4S300M4-4	28224E004	3	375	50	4"	3-1/2"	460	4.8	3	35'	M
MS4S300M5-4	28224E005	3	375	50	4"	3-1/2"	575	3.8	3	35'	M
MS4S500M2-4	28224E011	5	500	55	4"	3-1/2"	230	29.5	1	35'	M
MS4S500M6-4	28224E012	5	500	55	4"	3-1/2"	200	17.6	3	35'	M
MS4S500M3-4	28224E013	5	500	55	4"	3-1/2"	230	15.3	3	35'	M
MS4S500M4-4	28224E014	5	500	55	4"	3-1/2"	460	7.6	3	35'	M
MS4S500M5-4	28224E015	5	500	55	4"	3-1/2"	575	6.1	3	35'	M
MS4S750M6-4	28224E022	7-1/2	590	55	4"	3-1/2"	200	29.0	3	35'	M
MS4S750M3-4	28224E023	7-1/2	590	55	4"	3-1/2"	230	25.2	3	35'	M
MS4S750M4-4	28224E024	7-1/2	590	55	4"	3-1/2"	460	12.6	3	35'	M
MS4S750M5-4	28224E025	7-1/2	590	55	4"	3-1/2"	575	10.1	3	35'	M
MSB4S300M2-4	28225E001	3	375	50	4"	3-1/2"	230	17.1	1	35'	M
MSB4S300M6-4	28225E002	3	375	50	4"	3-1/2"	200	10.9	3	35'	M
MSB4S300M3-4	28225E003	3	375	50	4"	3-1/2"	230	9.5	3	35'	M
MSB4S300M4-4	28225E004	3	375	50	4"	3-1/2"	460	4.8	3	35'	M
MSB4S300M5-4	28225E005	3	375	50	4"	3-1/2"	575	3.8	3	35'	M
MSB4S500M2-4	28225E011	5	500	55	4"	3-1/2"	230	29.5	1	35'	M
MSB4S500M6-4	28225E012	5	500	55	4"	3-1/2"	200	17.6	3	35'	M
MSB4S500M3-4	28225E013	5	500	55	4"	3-1/2"	230	15.3	3	35'	M
MSB4S500M4-4	28225E014	5	500	55	4"	3-1/2"	460	7.6	3	35'	M
MSB4S500M5-4	28225E015	5	500	55	4"	3-1/2"	575	6.1	3	35'	M
MSB4S750M6-4	28225E022	7-1/2	590	55	4"	3-1/2"	200	29.0	3	35'	M
MSB4S750M3-4	28225E023	7-1/2	590	55	4"	3-1/2"	230	25.2	3	35'	M
MSB4S750M4-4	28225E024	7-1/2	590	55	4"	3-1/2"	460	12.6	3	35'	M
MSB4S750M5-4	28225E025	7-1/2	590	55	4"	3-1/2"	575	10.1	3	35'	M
MS4SD200M7-6	28226E000	2	370	25	4"	3-1/2"	200	18.6	1	35'	M
MS4SD200M2-6	28226E001	2	370	25	4"	3-1/2"	230	12.8	1	35'	M
MS4SD200M6-6	28226E002	2	370	25	4"	3-1/2"	200	7.8	3	35'	M
MS4SD200M3-6	28226E003	2	370	25	4"	3-1/2"	230	6.8	3	35'	M
MS4SD200M4-6	28226E004	2	370	25	4"	3-1/2"	460	3.4	3	35'	M
MS4SD200M5-6	28226E005	2	370	25	4"	3-1/2"	575	2.7	3	35'	M
MS4SD300M2-4	28224E101	3	380	48	4"	3-1/2"	230	17.1	1	35'	M
MS4SD300M6-4	28224E102	3	380	48	4"	3-1/2"	200	10.9	3	35'	M
MS4SD300M4-4	28224E104	3	380	48	4"	3-1/2"	460	4.8	3	35'	M
MS4SD300M5-4	28224E105	3	380	48	4"	3-1/2"	575	3.8	3	35'	M
MS4SD500M2-4	28224E111	5	500	58	4"	3-1/2"	230	29.5	1	35'	M
MS4SD500M6-4	28224E112	5	500	58	4"	3-1/2"	200	17.6	3	35'	M
MS4SD500M3-4	28224E113	5	500	58	4"	3-1/2"	230	15.3	3	35'	M
MS4SD500M4-4	28224E114	5	500	58	4"	3-1/2"	460	7.6	3	35'	M
MS4SD500M5-4	28224E115	5	500	58	4"	3-1/2"	575	6.1	3	35'	M
MS4SD750M6-4	28224E122	7-1/2	618	58	4"	3-1/2"	200	29.0	3	35'	M
MS4SD750M3-4	28224E123	7-1/2	618	58	4"	3-1/2"	230	25.2	3	35'	M
MS4SD750M4-4	28224E124	7-1/2	618	58	4"	3-1/2"	460	12.6	3	35'	M
MS4SD750M5-4	28224E125	7-1/2	618	58	4"	3-1/2"	575	10.1	3	35'	M
MSB4SD200M7-6	28226E100	2	370	25	4"	3-1/2"	200	18.6	1	35'	M
MSB4SD200M2-6	28226E101	2	370	25	4"	3-1/2"	230	12.8	1	35'	M
MSB4SD200M6-6	28226E102	2	370	25	4"	3-1/2"	200	7.8	3	35'	M
MSB4SD200M3-6	28226E103	2	370	25	4"	3-1/2"	230	6.8	3	35'	M
MSB4SD200M4-6	28226E104	2	370	25	4"	3-1/2"	460	3.4	3	35'	M
MSB4SD200M5-6	28226E105	2	370	25	4"	3-1/2"	575	2.7	3	35'	M
MSB4SD300M2-4	28225E101	3	380	48	4"	3-1/2"	230	17.1	1	35'	M
MSB4SD300M6-4	28225E102	3	380	48	4"	3-1/2"	200	10.9	3	35'	M
MSB4SD300M3-4	28225E103	3	380	48	4"	3-1/2"	230	9.5	3	35'	M
MSB4SD300M4-4	28225E104	3	380	48	4"	3-1/2"	460	4.8	3	35'	M
MSB4SD300M5-4	28225E105	3	380	48	4"	3-1/2"	575	3.8	3	35'	M
MSB4SD500M2-4	28225E111	5	500	58	4"	3-1/2"	230	29.5	1	35'	M
MSB4SD500M6-4	28225E112	5	500	58	4"	3-1/2"	200	17.6	3	35'	M
MSB4SD500M3-4	28225E113	5	500	58	4"	3-1/2"	230	15.3	3	35'	M
MSB4SD500M4-4	28225E114	5	500	58	4"	3-1/2"	460	7.6	3	35'	M
MSB4SD500M5-4	28225E115	5	500	58	4"	3-1/2"	575	6.1	3	35'	M
MSB4SD750M6-4	28225E122	7-1/2	618	58	4"	3-1/2"	200	29.0	3	35'	M
MSB4SD750M3-4	28225E123	7-1/2	618	58	4"	3-1/2"	230	25.2	3	35'	M
MSB4SD750M4-4	28225E124	7-1/2	618	58	4"	3-1/2"	460	12.6	3	35'	M
MSB4SD750M5-4	28225E125	7-1/2	618	58	4"	3-1/2"	575	10.1	3	35'	M

## SUBMERSIBLE SEWAGE PUMP MS4S/MSB4S MODELS



293 Wright St  
Delavan, WI 53115  
Ph: 888.987.8677  
Fx: 800.426.9446

490 Pinebush Rd, Unit 4  
Cambridge, Ontario N1T 0A5, Canada  
Ph: 800.363.7867  
Fx: 888.606.5484

[pentair.com](https://www.pentair.com)

All indicated Pentair trademarks and logos are property of Pentair. Third party registered and unregistered trademarks and logos are the property of their respective owners. Because we are continuously improving our products and services, Pentair reserves the right to change specifications without prior notice. Pentair is an equal opportunity employer.

©2023 Pentair. All Rights Reserved.

K4707(08-01-23)