

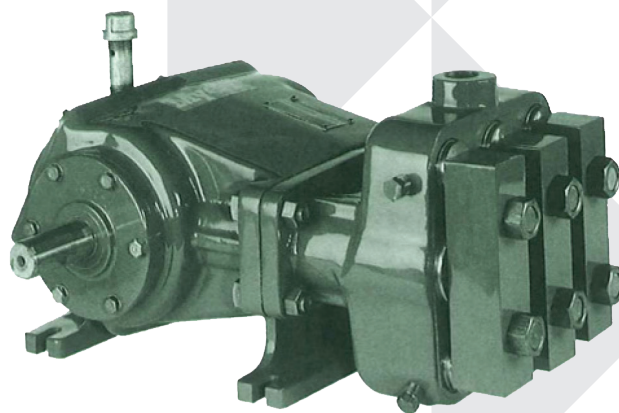
# MYERS® C SERIES High Pressure Reciprocating Piston Pump

Over a century of experience has proven that Pentair's Myers® line of reciprocating pumps are designed and built with performance you can rely on. Our C Series high pressure reciprocating pumps combine manufacturing expertise and application understanding for a pump that is perfect for a variety of high pressure jobs.

## Advantages By Design

Handles wide range of demanding industrial applications.

- High-strength fluid end and spring-loaded flat valves for high pressure pumping of large water volumes.
- Pumps liquids in mine, mill, food processing, car wash, sewer cleaner and other applications.



## Horsepower Requirements

C25-25								
GPM	RPM	700 psi	1000 psi	1300 psi	1600 psi	1900 psi	2200 psi	2500 psi
12.5	325	6.0	8.6	11.2	13.7	16.3	18.9	21.4
16.4	425	7.9	11.3	14.6	18.0	21.4	24.8	28.1
20.2	525	9.7	13.9	18.0	22.2	26.3	30.5	34.7
24.1	625	11.6	16.5	21.5	26.5	31.4	36.4	41.4

C35-20									
GPM	RPM	600 psi	800 psi	1000 psi	1200 psi	1400 psi	1600 psi	1800 psi	2000 psi
19.5	375	8.0	10.7	13.4	16.1	18.7	21.4	24.1	26.8
24.6	475	10.1	13.5	16.9	20.3	23.6	27.0	30.4	33.8
29.8	575	12.3	16.4	20.5	24.5	28.6	32.7	36.8	40.9
35.0	675	14.4	19.2	24.0	28.8	33.6	38.4	43.2	48.0

C40-20									
GPM	RPM	600 psi	800 psi	1000 psi	1200 psi	1400 psi	1600 psi	1800 psi	2000 psi
20.3	300	8.4	11.1	13.9	16.7	19.5	22.3	25.1	27.9
25.4	375	10.5	14	17.4	20.9	24.4	27.9	31.4	34.9
32.2	475	13.3	17.7	22.1	26.6	30.9	35.4	39.8	44.2
39.0	575	16.1	21.4	26.8	32.2	37.5	42.8	48.3	53.5

## Kilowatt Requirements

C25-25								
LPM	RPM	48.3 bar	68.9 bar	89.6 bar	110.3 bar	131 bar	151.7 bar	172.4 bar
47.4	325	4.5	6.4	8.3	10.2	12.2	14.1	16.0
62.1	425	5.9	8.4	10.9	13.4	15.9	18.4	21.0
76.7	525	7.2	10.3	13.4	16.6	19.7	22.8	25.9
91.3	625	8.6	12.3	16.0	19.7	23.4	27.1	30.8

C35-20									
LPM	RPM	41 bar	55 bar	69 bar	83 bar	96 bar	110 bar	124 bar	138 bar
73.8	375	6.0	8.0	10.0	12.0	13.9	16.0	18.0	20.0
93.1	475	7.5	10.1	12.6	15.1	17.6	20.1	22.7	25.2
112.8	575	9.2	12.2	15.3	18.3	21.3	24.4	27.4	30.5
132.5	675	10.7	14.3	17.9	21.5	25.1	28.6	32.2	35.8

C40-20									
LPM	RPM	41 bar	55 bar	69 bar	83 bar	96 bar	110 bar	124 bar	138 bar
76.8	300	6.3	8.3	10.4	12.6	14.5	16.6	18.9	20.8
96.1	375	7.8	10.4	13.0	15.6	18.2	20.8	23.4	26.0
121.9	475	9.9	13.2	16.5	19.8	23.0	26.4	29.7	33.0
147.6	575	12.0	16.0	20.0	24.0	28.0	32.0	36.0	40.0

Note: Above bold line is continuous duty. Below bold line is intermittent.

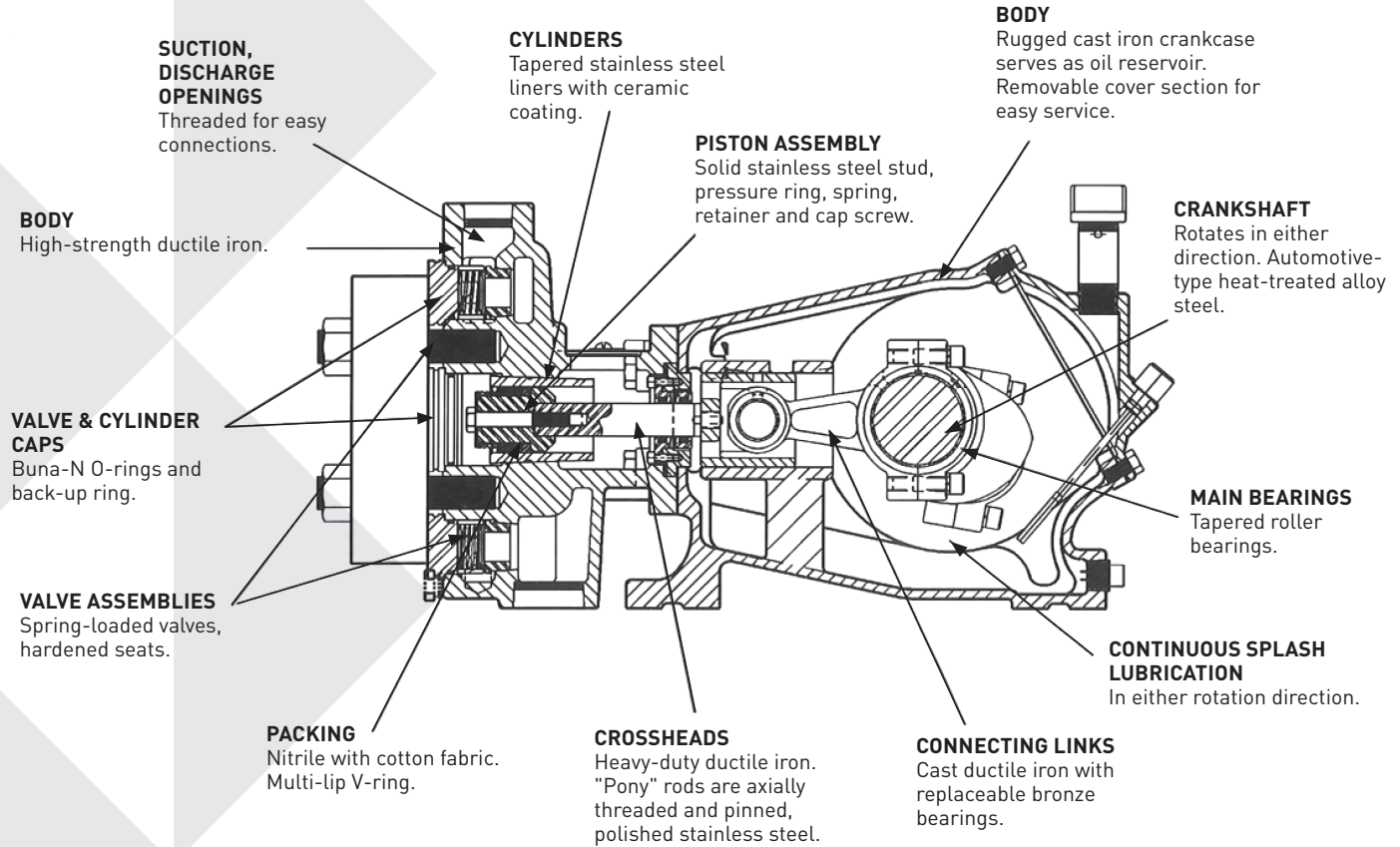
## Product Capabilities, Specifications

Catalog Number	Max. Rated Capacity GPM (LPM)	Max. Rated Pressure psi (bar)	Temp. Rating °F (°C)	Size in inches (mm)					Approx. Weight lbs. (kg)	
				Cylinder Bore	Piston Stroke	Suction Size NPT	Discharge Size NPT	Input Shaft		Keyway
C25-25 Triplex	25 (94.6)	2500 (172)	180 (82)	1 1/2 (38.1)	1 3/4 (44.45)	1 1/2	1	1 3/8 (34.93)	5/16 x 5/32 (7.94 x 3.97)	230 (104.2)
C35-20 Triplex	35 (132.49)	2000 (138)	180 (82)	1 3/4 (44.45)	1 3/4 (44.45)	1 1/2 (38.1)	1 (25.4)	1 3/8 (34.93)	5/16 x 5/32 (7.94 x 3.97)	230 (104.2)
C40-20 Triplex	40 (193.04)	2000 (138)	160 (71)	2 (50.80)	1 3/4 (44.45)	2 (50.80)	1	1 3/8 (34.93)	5/16 x 5/32 (7.94 x 3.97)	230 (104.2)

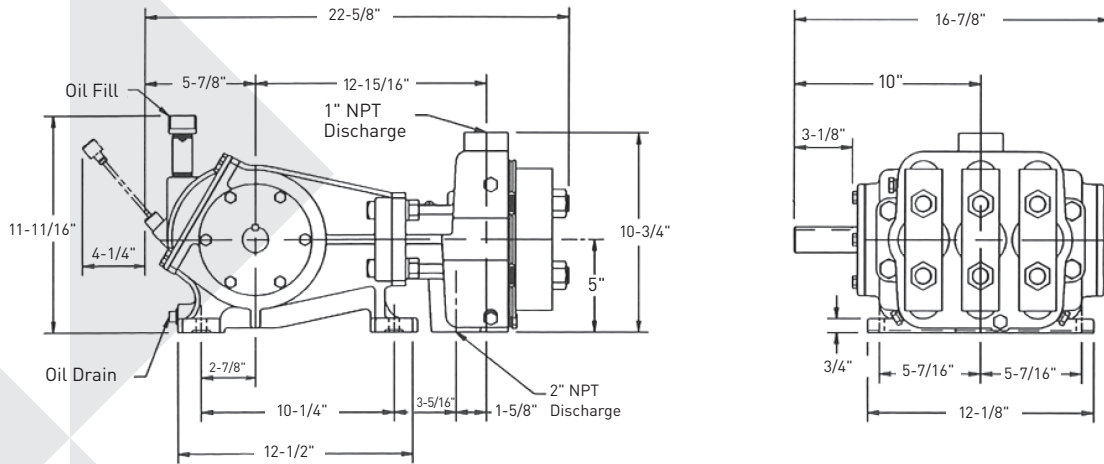
- Horsepower required is based upon 85% overall efficiency.
- Formula: (1) hp required =  $\frac{\text{GPM} \times \text{psi}}{147}$  or kW =  $\frac{\text{LPM} \times \text{bar}}{511}$  (electric brake)
- (2) Expected GPM =  $\frac{\text{Rated GPM} \times \text{Working RPM}}{\text{Rated RPM}}$
- Expected LPM =  $\frac{\text{Rated LPM} \times \text{Working RPM}}{\text{Rated RPM}}$
- Motor sheave O.D. size =  $\frac{\text{Pump sheave O.D. size} \times \text{Pump RPM}}{\text{Motor RPM}}$

NOTE: Horsepower requirements for an internal combustion engine (gas or diesel) may be obtained by multiplying the figures listed by 1.3. Do not exceed 80% of the manufacturer's advertised horsepower at operating RPM.

## Fluid End



## Dimensions



740 EAST 9TH STREET,  
ASHLAND, OHIO 44805  
WWW.FEMYERS.COM

490 PINEBUSH ROAD, UNIT 4,  
CAMBRIDGE, ONTARIO N1T 0A5  
WWW.FEMYERS.COM

Because we are continuously improving our products and services, Pentair reserves the right to change specifications without prior notice.  
K4006 06/10/15 © 2015 Pentair Ltd. All Rights Reserved.