

DISCONTINUED. FOR REFERENCE ONLY.

MYERS® ME4 Series

Cast Iron Submersible Effluent Pumps

SPECIFICATIONS

| | | |
|--------------------------|--|----------|
| Applications | Septic Tank Effluent Removal, Sump Drainage, and Circulation | |
| Capacities | 62 GPM | 235 LPM |
| Shut-off head | 32' | 9.8 m |
| Operation: | | |
| Tethered: On | 14" | 355.6 mm |
| Off | 5" | 127.0 mm |
| Solids handling | 1/2" spherical capability | 12.7 mm |
| Intermittent liquid temp | 130°F | 55°C |
| Motor | 4/10 HP, 1550 RPM, 115 Volt, 60 Hz. Class B insulation. Oil-filled shaded pole containing built-in thermal overload protection with automatic reset. | |
| Electrical data | 115 V, 60 Hz, single phase | |
| Acceptable pH range | 6-8 | |
| Shaft seal | Mechanical carbon/ceramic | |
| Motor housing | Cast iron | |
| Upper volute case | Cast iron | |
| Lower volute case | Thermoplastic | |
| Impeller | Thermoplastic Vortex | |
| Power cord | 10' or 20' water resistant 16-3 gauge, type SJTW-A/ SJTW with integrally grounded 3-prong plug. | |
| Discharge, NPT | 1-1/2" | 38 mm |
| Min. sump diameter: | | |
| Simplex | 18" | 457 mm |
| Duplex | 30" | 762 mm |



3 YEAR
WARRANTY



FEATURES

- Construction – Heavy-duty cast iron motor housing and upper volute. Corrosion-resistant composite base ideal for effluent applications.
- Bearings and Mechanical Seal – Permanently lubricated for long life.
- Cord Seal – Prevents oil loss from and protection for motor if cord is damaged.
- Overload Protection – Built-in thermal overload with automatic reset.
- Intake – Built-in suction screen.

ORDERING INFORMATION

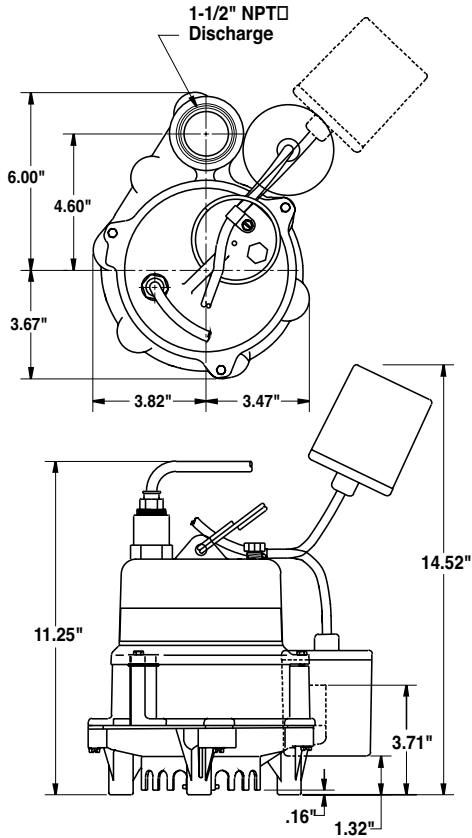
| Catalog Number | HP | Maximum Load Amps | Volts | Phase/Cycles | Cord Length | Mechanical Switch Type | Switch Setting | |
|----------------|------|-------------------|-------|--------------|-------------|------------------------|----------------|-----|
| | | | | | | | On | Off |
| ME40110M | 4/10 | 12.5 | 115 | 1/60 | 10' | Manual | - | - |
| ME40110T | | | | | | Tethered | 14" | 5" |
| ME40120M | | | | | 20' | Manual | - | - |
| ME40120T | | | | | | Tethered | 14" | 5" |

Noryl® is a registered trademark of General Electric Co. Specifications are subject to change without notice.

MYERS® ME4 Series

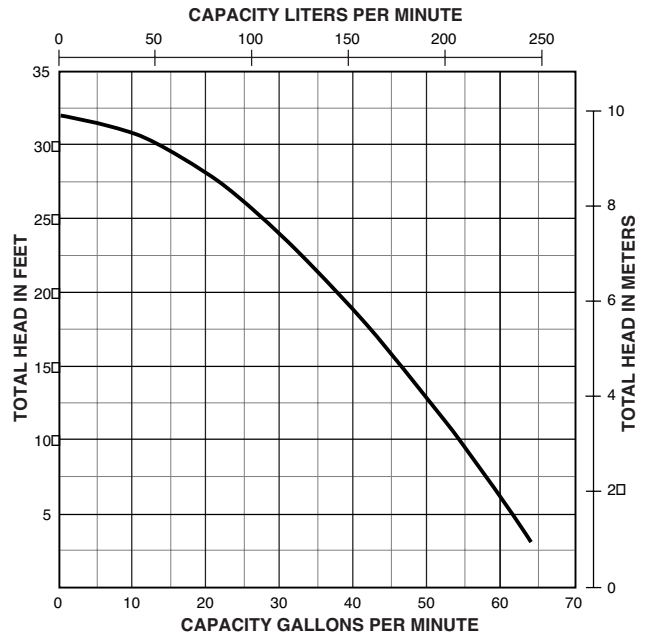
Cast Iron Submersible Effluent Pumps

OUTLINE DIMENSIONS



Dimensions (in inches) are for estimating purposes only.

PUMP PERFORMANCE



USA
293 WRIGHT STREET, DELAVAN, WI 53115 WWW.FEMYERS.COM
PH: 888-987-8677 ORDERS FAX: 800-426-9446

CANADA
490 PINEBUSH ROAD, UNIT 4, CAMBRIDGE, ONTARIO, N1T 0A5
PH: 800-363-7867 FAX: 888-606-5484

Because we are continuously improving our products and services, Pentair reserves the right to change specifications without prior notice.