

# RESIDENTIAL AND LIGHT COMMERCIAL SEWAGE PUMP

## MW50 SERIES

The Myers MW50 series sewage pumps are constructed of the most durable combination of materials in order to withstand the harshest sewage environments. The non-clog impeller can pass up to 2" solids and provides the flow and head required residential and light commercial applications. Models are available for manual operation with external controls, or as automatic operation with tethered, piggyback mechanical float switch.

### APPLICATIONS

Residential, high-capacity sump and effluent.



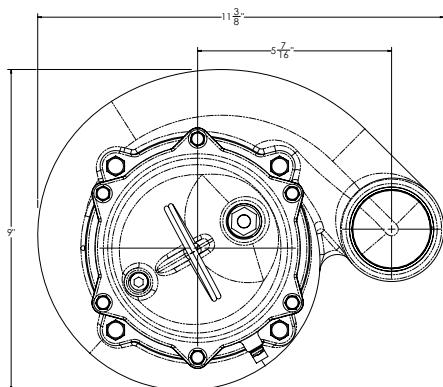
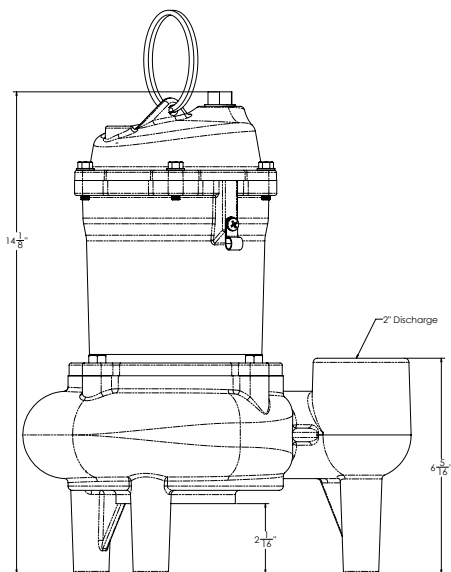
### FEATURES

- **TWO-VANE IMPELLER**  
The engineered thermoplastic composition two-vane impeller provides maximum efficiency and eliminates jamming between impeller and volute.
- **RESTORE PERFORMANCE**  
Original performance standards restored by easily replacing a worn volute seal ring.
- **HIGH-CAPACITY HANDLING**  
Passes full 2" solids.
- **COOL RUNNING**  
Durable, oil-filled motor for continuous bearing lubrication and maximum heat dissipation.
- **POWERFUL STARTS**  
High-torque, permanent split capacitor (PSC) motor. No starting switches or relays to wear out.
- **PROTECTS AGAINST HIGH HEAT**  
Low amp draw from the efficient PSC motor means less heat build-up.
- **LONGER-LASTING MOTOR**  
Lower ball bearing eliminates sleeve bearing wear and reduces motor wear.
- **IMPROVED SEALING**  
Long, flexible Type 6 seal provides high pressure sealing with improved seal face protection by location.

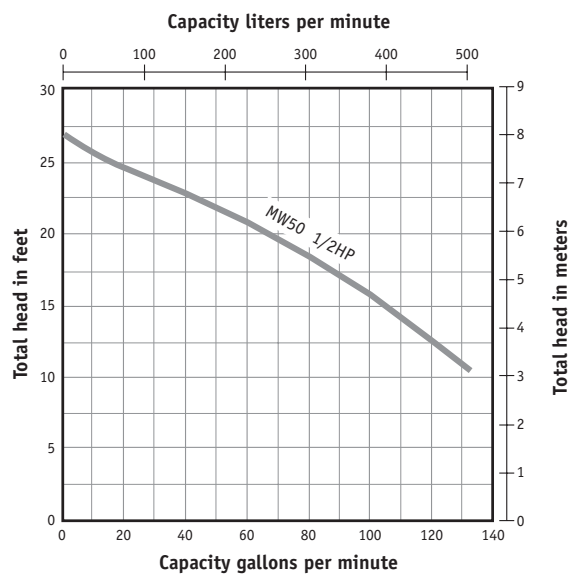
## SPECIFICATIONS & PERFORMANCE

CAPACITIES	135 GPM (511 LPM)
SHUT-OFF HEAD	27' (8.23 m)
OPERATION	Manual or automatic
SOLIDS HANDLING	2" (50.8 mm)
LIQUIDS HANDLING	Domestic sewage and drain water
INTERMITTENT LIQUID TEMPERATURE	Up to 140°F (60°C)
MOTOR/ELECTRICAL DATA	1/2 HP, 1625RPM, PSC (1Ø), oil-filled, 115V, 9A, 1Ø, 60Hz; 230V, 4.5A, 1Ø, 60Hz
ACCEPTABLE PH RANGE	5-9
POWER CORD	20 foot (6.1 m), 16/3, SJTW
SHAFT SEAL	Type 6, carbon and ceramic
DISCHARGE, NPT	2"
HOUSING	Cast iron
MINIMUM SUMP DIAMETER	Simplex: 24" (61 cm); Duplex: 36" (91.4 cm)
IMPELLER	Thermoplastic
VOLUTE CASE	Class 30 cast iron

## DIMENSIONS



## PUMP PERFORMANCE



## ORDERING INFORMATION

CATALOG NUMBER	HP	VOLTS	PHASE/ CYCLES	AMPS	DISCHARGE SIZE	SWITCH TYPE	CORD LENGTH	APPROX. WT. LBS (KG)
MW50-11	1/2	115	1/60	9.0	2" (50.8 mm)	Manual	20' (6.1m)	42 (19.1 kg)
MW50-11P	1/2	115	1/60	9.0	2" (50.8 mm)	Tethered Automatic*	20' (6.1m)	43 (19.5 kg)
MW50-21	1/2	230	1/60	4.5	2" (50.8 mm)	Manual	20' (6.1m)	42 (19.1 kg)
MW50-21P	1/2	230	1/60	4.5	2" (50.8 mm)	Tethered Automatic*	20' (6.1m)	43 (19.5 kg)

\*Piggyback



293 Wright Street,  
Delavan, WI 53115  
USA  
Phone: 888.782.7483  
Orders Fax: 800.426.9446

490 Pinebush Road  
Unit 4  
Cambridge, Ontario N1T 0A5  
Canada  
Phone: 800.363.7867  
Orders Fax: 888.606.5484

for more info, visit [pentair.com](http://pentair.com)

