

# RESIDENTIAL SEWAGE BASIN ASSEMBLY

## CMV1830

The Myers CMV1830 Packaged Sewage Ejector System provides extra lifting power for demanding residential applications. The highly-regarded CMV5 series pump and corrosion-resistant basin make this the preferred package for extended service installations. Solids up to 2" in diameter easily pass through the specially designed recessed vortex impeller.

### APPLICATIONS

Residential septic tank, sewage, and large sumps.



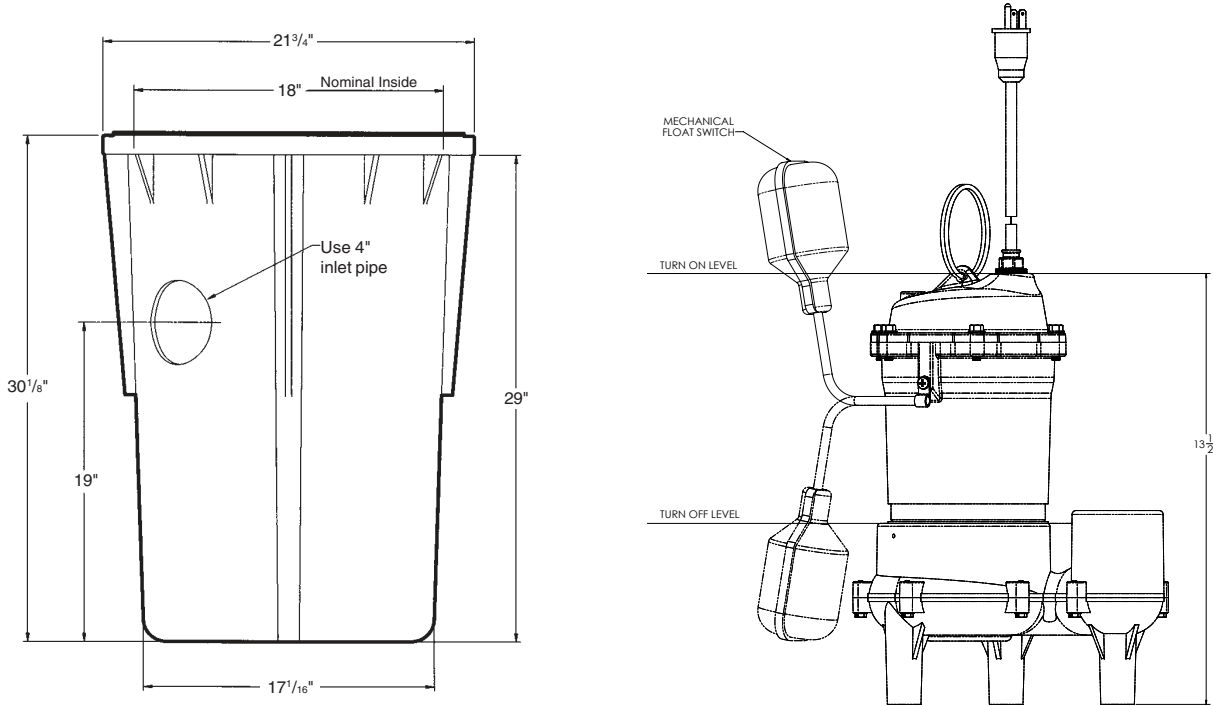
### FEATURES

- ◆ **Ready to Go**  
The packaged system includes pump, basin, sealed cover, internal basin discharge pipe, and 2" full-swing check valve.
- ◆ **Powerful and Proven CMV5 Pump**  
Long-life carbon/ceramic seal protects motor against leakage.  
  
Oil-filled motor for continuous lubrication and heat dissipation.  
  
Internal thermal protector prevent overheating and includes automatic reset.  
  
Recessed impeller reduces radial bearing loads, increasing bearing life.
- ◆ **BASIN**  
18" x 30" corrosion-resistant structural foam construction.  
  
A 30-gallon capacity.  
  
4" plastic slip type or cast iron.
- ◆ **BASIN COVER**  
18" seal-tight design in structural foam or steel.  
  
Structural foam has a 2" discharge flange and vent flange suitable for 2" or 3" vent.  
  
Steel has a split design with 2" or 3" vent.

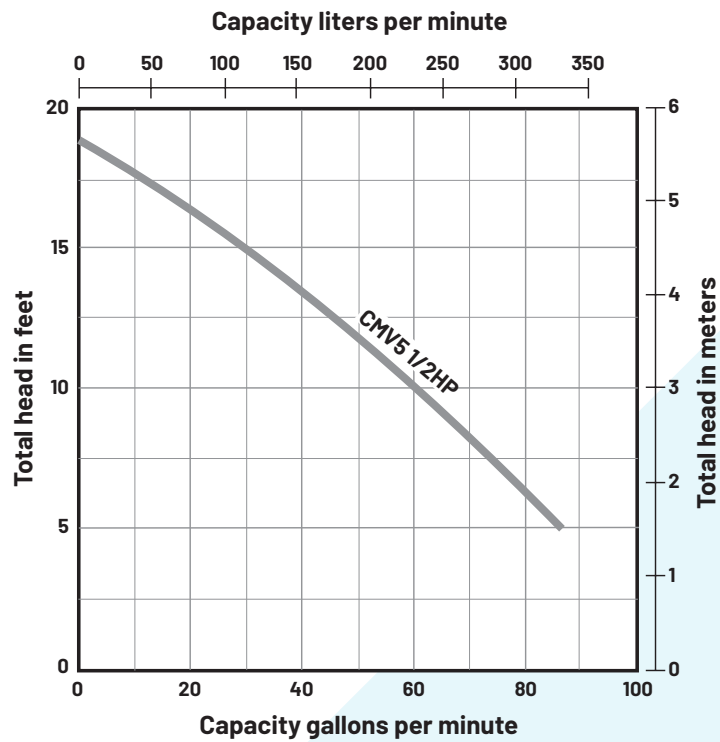
## SPECIFICATIONS & PERFORMANCE

<b>CAPACITIES</b>	87 GPM (325 LPM)
<b>SHUT-OFF HEAD</b>	19' (5.8 m)
<b>SOLIDS HANDLING</b>	2" (50.8 mm)
<b>LIQUIDS HANDLING</b>	Raw sewage, effluent, and drain water
<b>INTERMITTENT LIQUID TEMPERATURE</b>	Up to 140°F (60°C)
<b>MOTOR/ELECTRICAL DATA</b>	1/2 HP, PSC, 1625 RPM, 115V, 12A, 1Ø, 60Hz
<b>ACCEPTABLE PH RANGE</b>	6-9
<b>DISCHARGE, NPT</b>	2"
<b>HOUSING</b>	Cast iron motor housing, thermoplastic casing
<b>POWER CORD</b>	20', 16/3, SJTW (6.1 m)
<b>IMPELLER</b>	Recessed, thermoplastic
<b>VOLUTE CASE</b>	Thermoplastic
<b>SHAFT SEAL</b>	Type 11A, carbon and ceramic
<b>BASIN SIZE</b>	18" x 30" structural foam, 30-gallon capacity

**DIMENSIONS**



**PUMP PERFORMANCE**



## ORDERING INFORMATION

CATALOG NUMBER	HP	VOLTS	PHASE/ CYCLES	AMPS	DISCHARGE SIZE	COVER TYPE	INLET	VENT SIZE	SWITCH TYPE	CORD LENGTH	APPROX. WT. LBS
CMV1830	1/2	115	1/60	12	2"	1 pc. Structural Foam	Snap-in	2"13"	Tethered Automatic	20'	50



293 Wright Street,  
Delavan, WI 53115  
USA  
Phone: 888.782.7483  
Orders Fax: 800.426.9446

490 Pinebush Road  
Unit 4  
Cambridge, Ontario N1T 0A5  
Canada  
Phone: 800.363.7867  
Orders Fax: 888.606.5484

for more info, visit [pentair.com](http://pentair.com)

