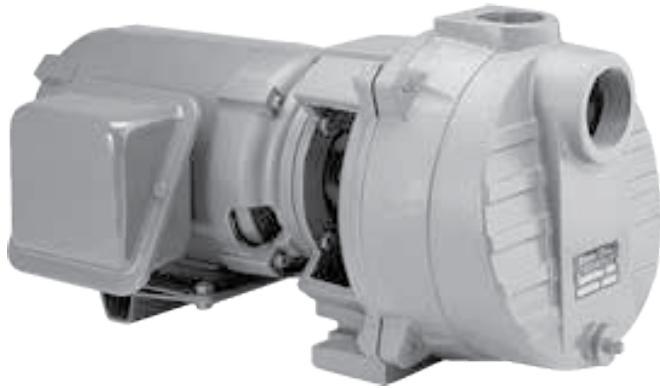


## Quick Prime Self-Priming Centrifugal Pumps



The Quick Prime self-priming centrifugal pump delivers strong dependable performance for demanding jobs where a lot of water is required over a long period of time. The heavy duty 184JM motor, brass impeller, and large capacity rugged cast iron pump end deliver reliable and continuous high performance service. Not for use with corrosive chemicals or flammable liquids.

### APPLICATIONS

Both commercial and residential applications requiring large flow rates, including sprinkler systems; irrigation; booster service; water transfer, circulation and supply; dewatering, fire protection, car washing, or other big cleaning and maintenance jobs.

### SPECIFICATIONS

- ◆ High tensile cast iron pump case and motor bracket.
- ◆ Brass impeller (optional engineered composite impeller available for certain models).
- ◆ Ceramic/glass thermoset diffuser, with stainless steel wear ring.
- ◆ Square rubber sealing rings.
- ◆ Carbon/ceramic shaft seal.

### SPECIFICATIONS

**Powerful Performance** – Maximum head of 178 feet (77 psi) and flow capabilities to 135 gpm.

**Ruggedly Built** – To meet the demands for long, hard continuous service without over-working or overloading the motor.

**Simple Design** – Powerful, efficient operation and easy servicing. Convenient back pull-out design.

**Heavy Duty Motor** – Full frame 184JM design, extra-large, double-ball bearings, non-overloading, continuous duty rating, strong capacitor start, single or three phase options.

**Brass Impellers** – Precision machines and balanced for smooth, quiet operation. corrosion resistant for long life.

**Quick Priming** – Large case for maximum water retention to insure quick and easy priming, true self-priming design with top suction inlet retains water in case and maintains the prime, exclusive diffuser plate with stainless steel impeller wear ring for fast priming.

**Mechanical Shaft Seal** – Precision lapped and polished carbon/ceramic faces, Buna elastomers, and stainless steel metal components, top suction pump design prevents the seal from running dry.

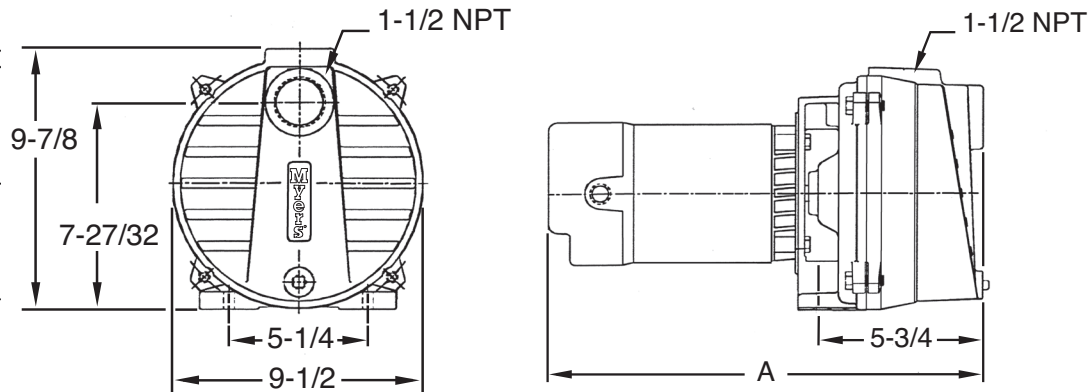
### ORDERING INFORMATION

| CATALOG NUMBER |         | HP    | PIPE SIZES |        | MAXIMUM TOTAL SHUT-OFF HD. |      | APPROX. WT. LBS. |
|----------------|---------|-------|------------|--------|----------------------------|------|------------------|
| 1 PHASE        | 3 PHASE |       | SUCT.      | DISCH. | FEET                       | PSI  |                  |
| QP7            | QP7-3   | 3/4   | 1-1/2"     | 1-1/2" | 105                        | 45.5 | 58               |
| QP10           | QP10-3  | 1     | 1-1/2"     | 1-1/2" | 108                        | 47   | 61               |
| QP15           | QP15-3  | 1-1/2 | 1-1/2"     | 1-1/2" | 111                        | 48   | 68               |
| QP20           | QP20-3  | 2     | 1-1/2"     | 1-1/2" | 116                        | 50   | 74               |
| QP30           | QP30-3  | 3     | 1-1/2"     | 1-1/2" | 121                        | 52   | 87               |
| QP50B          | QP50B-3 | 5     | 2-1/2"     | 2"     | 178                        | 77   | 58/61            |

# Quick Prime Self-Priming: Centrifugal Pumps

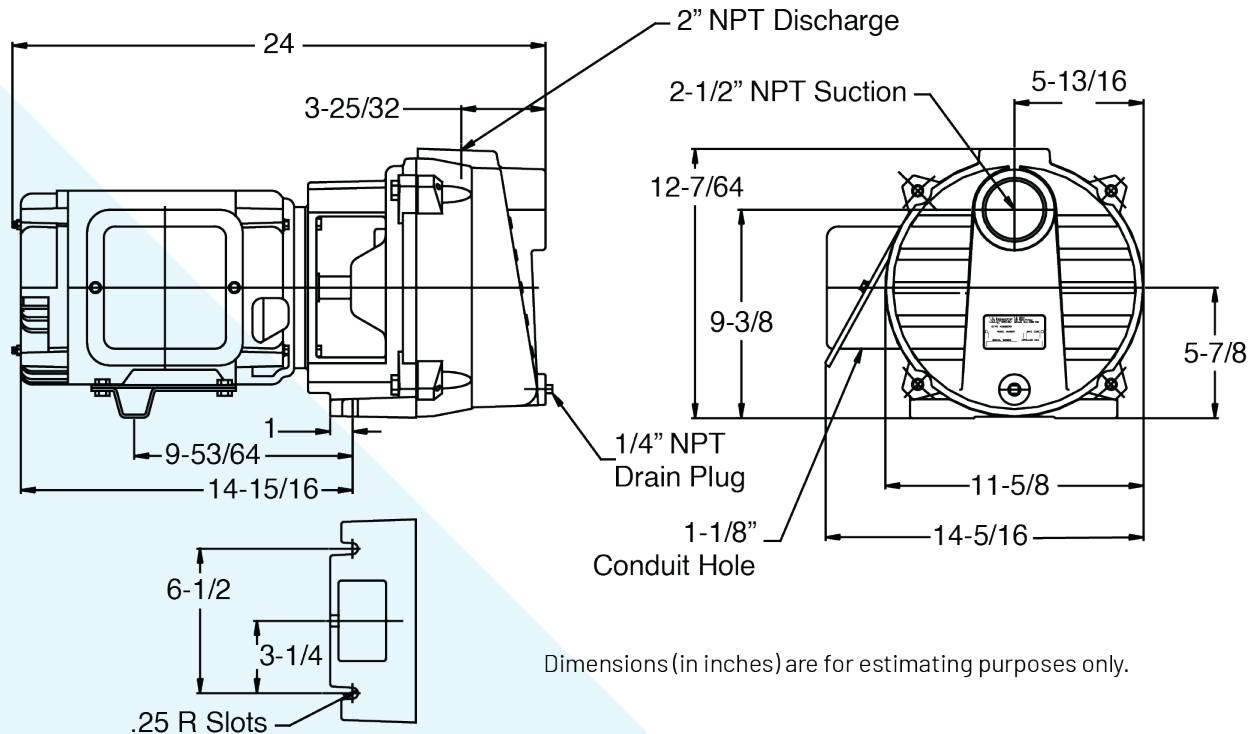
## SPECIFICATIONS & PERFORMANCE

### OUTLINE DIMENSIONS: QP7, QP10, QP15, QP20, & QP30 MODELS



| CAT. NO. | A      |
|----------|--------|
| QP7      | 16.75  |
| QP10     | 16.75  |
| QP15     | 18.625 |
| QP20     | 18.625 |
| QP30     | 21.625 |

### OUTLINE DIMENSIONS: QP50B

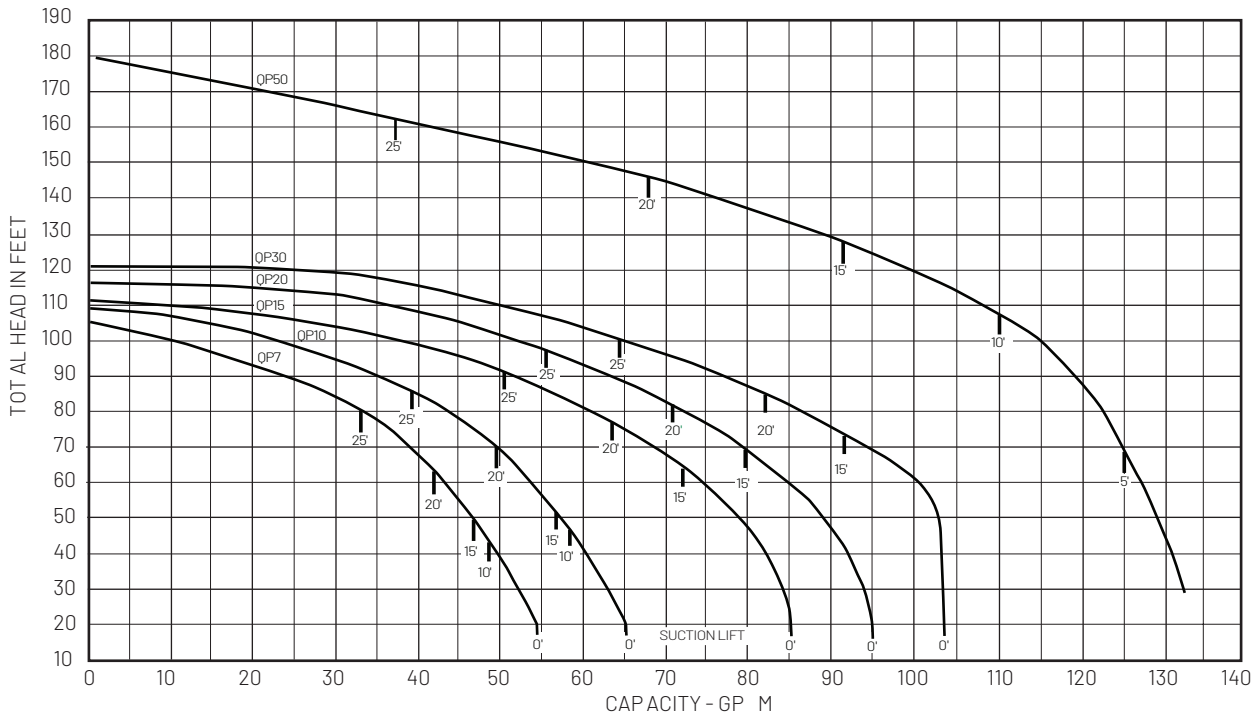


Dimensions (in inches) are for estimating purposes only.

# Quick Prime Self-Priming: Centrifugal Pumps

## SPECIFICATIONS & PERFORMANCE

### PUMP PERFORMANCE



### CABLE SELECTION

| MOTOR RATING |       | COPPER WIRE SIZE |     |     |      |      |      |      |      |
|--------------|-------|------------------|-----|-----|------|------|------|------|------|
| VOLTAGE      | PHASE | 14               | 12  | 10  | 8    | 6    | 4    | 2    | 0    |
| 230          | 1     |                  |     |     | 150  | 250  |      |      |      |
| 208          | 3     |                  |     | 160 | 250  | 400  | 640  | 1020 | 1630 |
| 230          | 3     |                  | 130 | 210 | 340  | 540  | 850  | 1360 | 2160 |
| 460          | 3     | 330              | 530 | 850 | 1350 | 2150 | 3422 | 5440 | 8650 |

This table is based on copper wire. If aluminum wire is used it must be two sizes larger. Example: When the table call for #12 copper wire you would use #10 aluminum wire.

# Quick Prime Self-Priming: Centrifugal Pumps

## PUMP PERFORMANCE

| CATALOG NUMBER |         | HP    | DISCH. PRESSURE PSI | CAPACITY IN GPM FOR DISCHARGE PRESSURE AND TOTAL SUCTION LIFT INDICATED |        |        |        |
|----------------|---------|-------|---------------------|---|--------|--------|--------|
| 1 PHASE        | 3 PHASE |       |                     | 10 FT.  | 15 FT. | 20 FT. | 25 FT. |
| QP7            | QP7-3   | 3/4   | 20                  | 40.75   | 38.1   | 36.1   | 33.2   |
|                |         |       | 25                  | 35.75   | 33.5   | 30.9   | 27.5   |
|                |         |       | 30                  | 30.75   | 27.25  | 23.1   | 18     |
|                |         |       | 35                  | 21.5  | 15.1   | 8.5    |        |
|                |         |       | 40                  | 6.5   |        |        |        |
| QP10           | QP10-3  | 1     | 20                  | 51.2  | 48.9   | 46.4   | 39.25  |
|                |         |       | 25                  | 46.2  | 43.5   | 40.6   | 37.4   |
|                |         |       | 30                  | 40.5  | 37.5   | 33.6   | 29.2   |
|                |         |       | 35                  | 33  | 27.6   | 20.6   | 10     |
|                |         |       | 40                  | 19  | 5      |        |        |
| QP15           | QP15-3  | 1-1/2 | 20                  | 71.6  | 69.4   | 63.4   | 50.25  |
|                |         |       | 25                  | 66.5  | 62.5   | 58.75  | 50.25  |
|                |         |       | 30                  | 59.5  | 55     | 50.5   | 45     |
|                |         |       | 35                  | 50.5  | 43.6   | 37     | 24.9   |
|                |         |       | 40                  | 36.8  | 25.9   |        |        |
| QP20           | QP20-3  | 2     | 20                  | 78.9  | 76.6   | 70.5   | 55.5   |
|                |         |       | 25                  | 74.6  | 71.5   | 67     | 55.5   |
|                |         |       | 30                  | 68.5  | 63.5   | 58.4   | 53     |
|                |         |       | 35                  | 58.5  | 52.9   | 47     | 40     |
|                |         |       | 40                  | 47.5  | 40.5   | 32.5   |        |
| QP30           | QP30-3  | 3     | 20                  | 93  | 91     | 82     | 64     |
|                |         |       | 25                  | 92.9  | 91     | 82     | 64     |
|                |         |       | 30                  | 89.8  | 85.5   | 78.6   | 64     |
|                |         |       | 35                  | 81  | 73.3   | 65.6   | 57     |
|                |         |       | 40                  | 67.9  | 59.1   | 48.5   | 37.5   |
|                |         |       | 45                  | 47.9  | 30     |        |        |
| QP50B          | QP50B-3 | 5     | 10                  | 110   | 91     | 67     |        |
|                |         |       | 20                  | 108   | 90     | 65     |        |
|                |         |       | 30                  | 107   | 88     | 63     |        |
|                |         |       | 40                  | 103   | 84     | 62     |        |
|                |         |       | 50                  | 88  | 80     | 40     |        |

NOTE: Single phase units are dual voltage (115/230 volt) 2 and 3 HP are 230 volt only.  
 NOTE: All units are loaded within the motor service factor and are rated for continuous operation.



293 Wright Street,  
 Delavan, WI 53115  
 USA  
 Ph: 888.782.7483  
 Orders Fax: 800.426.9446

490 Pinebush Road  
 Unit 4, Cambridge,  
 Ontario N1T 0A5, Canada  
 Ph: 800.363.7867  
 Orders Fax: 888.606.5484

pentair.com

All indicated Pentair trademarks and logos are property of Pentair. Third party registered and unregistered trademarks and logos are the property of their respective owners. Because we are continuously improving our products and services, Pentair reserves the right to change specifications without prior notice. Pentair is an equal opportunity employer.

M9137WS (01/20/21) ©2021 Pentair. All Rights Reserved.