



# S40HT & S50HT Series Submersible High Temperature Effluent Pumps

MYERS®

## SAFETY INFORMATION

Carefully read and follow all safety instructions in this manual or on pump.

**⚠️ AVERTISSEMENT** This is the safety alert symbol. When you see this symbol on your pump or in this manual, look for one of the following signal words and be alert to the potential for personal injury!

**⚠️ DANGER** warns about hazards that **will** cause serious personal injury, death or major property damage if ignored.

**⚠️ WARNING** warns about hazards that **can** cause serious personal injury, death or major property damage if ignored.

**⚠️ CAUTION** warns about hazards that **will** or **can** cause minor personal injury or property damage if ignored.

The word **NOTICE** indicates special instructions which are important but not related to hazards.

1. **Read these rules and instructions carefully.** Failure to follow them could cause serious bodily injury and/or property damage.
2. Check your local codes before installing. You must comply with their rules.
3. Vent sewage or septic tank according to local codes.
4. Do not install pump in any location classified as hazardous by National Electrical Code, ANSI/NFPA 80-1984 or the Canadian Electrical Code.

**⚠️ WARNING** Hazardous voltage. Can shock, burn, or kill. During operation the pump is in water. To avoid fatal shocks, proceed as follows if pump needs servicing:

- 5A. Disconnect power to outlet box before unplugging pump.
- 5B. Take extreme care when changing fuses. Do not stand in water or put your finger in the fuse socket.
- 5C. Do not modify the cord and plug. When using the cord and plug, plug into a grounded outlet only. When wiring to a system control, connect the pump ground lead to the system ground.

6. Do not run the pump dry. Dry running can overheat the pump, (causing burns to anyone handling it) and will void the warranty.
7. The pump normally runs hot. To avoid burns when servicing pump, allow it to cool for 20 minutes after shut-down before handling it.
8. The pump is permanently lubricated. No oiling or greasing is required in normal operation. For overhaul, see instructions under "Service".

## DESCRIPTION

These submersible high temperature sump/effluent pumps are designed for effluent and wastewater removal, sump drainage, dewatering, flood control. They can be used in boiler blow down pits, condensate pits and as hot water pumps. Units have built in thermal overload protection with automatic reset. The mechanical seal and ball bearings on the motor shaft are permanently lubricated. Stainless steel hardware and a heavy duty lift out ring allow for easy disassembly after extended use.

**NOTICE:** This unit is not designed for applications involving salt water or brine! Use with salt water or brine will void warranty.

## SPECIFICATIONS

Power supply required.....See "Motor, Switch and Cord Specifications" chart below

Maximum Liquid Temperature ..... 194°F(90°C)

Discharge Adapter ..... 1-1/2" NPT (S40HT)  
..... 2" NPT (S50HT)

### California Proposition 65 Warning

**⚠️ WARNING** This product and related accessories contain chemicals known to the State of California to cause cancer, birth defects or other reproductive harm.

## MOTOR, SWITCH, & CORD SPECIFICATIONS

Model Number	Motor HP	Voltage	Motor Full Load Amps	Individual Branch Circuit Required (Amps)	Cord Length in ft. (m)	Switch Setting in inches (mm)		Discharge Adapter Size
						On	Off	
S40HT-11P	1/3	115/1	13.0	15	20 (6.1)	13.5 (343)	4.5 (114)	1-1/2"
S40HT-11	1/3	115/1	13.0	15	20 (6.1)	—	—	1-1/2"
S50HTPC1*	1/2	115/1	12.0	15	20 (6.1)	17.8 (452)	8.8 (224)	2"

\*Control panel required

## PERFORMANCE

GPM AT TOTAL FEET				
Model	10	15	20	No flow at height shown below
CAPACITY GALLONS/MINUTE				
S40HT-11P	42	30	10	21
S40HT-11*	42	30	10	21
S50HTPC1	65	—	60	48/50

\*Performance is reduced with high temp liquids.

## INSTALLATION

**⚠ WARNING Hazardous voltage. Can shock, burn or kill.** Do not lift pump by the power cord. See “Cord Lift Warning” on Page 3.

**NOTICE:** Install the pump on a hard, level surface (cement, asphalt, etc.). Never place the pump directly on earth, clay or gravel surfaces.

### Piping

Piping must not be smaller than pump discharge.

When installed in an **effluent** system, the pipe must be capable of handling semi-solids of at least **3/4"** (19mm) in diameter.

The rate of flow in the discharge pipe must keep any solids present in suspension in the fluid. To meet minimum flow requirements (2 feet per second in the discharge line), size the pipe as follows:

A Pipe Size Of:	Will Handle a Flow Rate Of:
1-1/2" (38mm)	12 GPM
2" (51mm)	21 GPM
2-1/2"(64mm)	30 GPM
3"(76mm)	48 GPM

In an **effluent** system use a **1-1/2"** (38mm) check valve in pump discharge to prevent backflow of liquid into sump basin. The check valve should be a free flow valve that will easily pass solids. Be sure check valve installation complies with local codes.

**NOTICE:** For best performance of check valve when handling solids, do not install it with the discharge more than 45° above the horizontal. Do not install the check valve in a vertical position as solids may settle in the valve and prevent it from opening on startup.

Drill a 3/16" (5mm) hole in the discharge pipe about 1–2" (25-51mm) above the pump discharge connection (but below check valve) to prevent airlocking the pump.

### Electrical

**⚠ WARNING Hazardous voltage. Can shock, burn, or kill.** When installing, operating, or servicing this pump, follow the safety instructions listed below.

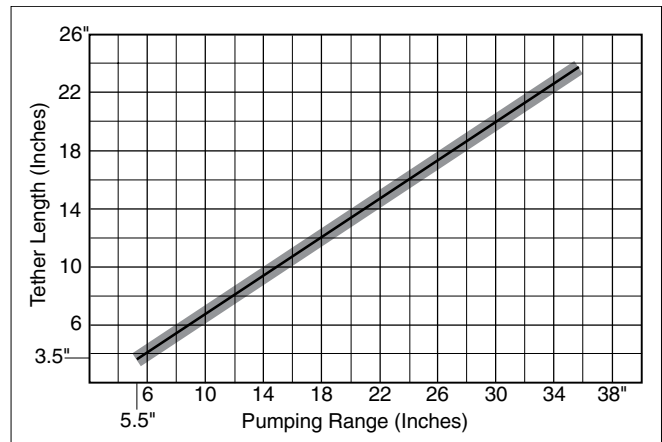
- DO NOT** splice the electrical power cord.
- DO NOT** allow the electrical cord plug to be submerged.
- DO NOT** use extension cords. They are a fire hazard and can reduce voltage sufficiently to prevent pumping and/or damage motor.
- DO NOT** handle or service the pump while it is connected to the power supply.

- DO NOT** remove the grounding prong from the plug or modify the plug. To protect against electrical shock, the power cord is a three-wire conductor and includes a 3-prong grounded plug. Plug the pump into a 3-wire, grounded, grounding-type receptacle. Connect the pump according to the NEC or CEC and local codes.

For automatic operation, plug or wire the pump into an automatic float switch or duplex controller. The pump will run continuously when plugged directly into an electrical outlet. S50HTPC1 requires switch panel PW217-280.

Connect or wire pump to its own individual branch circuit with no other outlets or equipment in the circuit. Size fuses or circuit breakers according to the “Motor, Switch and Cord Specifications” chart.

**⚠ WARNING Risk of electrical shock and fire. Can burn, kill or cause property damage.** Be sure that power supply information (Voltage/ Hertz/Phase) on pump motor nameplate matches incoming power supply exactly. Install pump according to all electrical codes that apply.



413 0893

Performance Graph – Tether Length vs. Pumping Range

## OPERATION

The automatic float switch on Model S50HTPC1 is factory set with a 4" tether length. This tether length can be adjusted to accommodate a variety of pumping ranges. (See performance graph.) The installer must ensure that the switch does not become obstructed and that the range is set so the liquid level remains a minimum of 2" above pump suction at the lowest level, and below the basin inlet pipe at the highest level.

**⚠ WARNING Risk of fire or explosion. Can cause severe personal injury, property damage or death.** Do not use in explosive atmospheres. Pump water only with this pump.

**NOTICE:** Do not allow the pump to run in a dry sump. It will void the warranty and may damage the pump.

An automatic overload protector in the motor will protect the motor from burning out due to overheating/overloading. When the motor cools down, the overload protector will automatically reset and start the motor.

If the overload trips frequently, check for the cause. It could be a stuck impeller, wrong/low voltage, or an electrical failure in the motor. If an electrical failure in the motor is suspected, have it serviced by a competent repairman.

The pump is permanently lubricated. No oiling or greasing is required.

# SERVICE

## General

**⚠ WARNING** Hazardous voltage and risk of cord damage.

**Can shock, burn, or kill.** Before removing the pump from the basin for service, always disconnect electrical power to the pump and the control switch. Do not lift the pump by the power cord. See the “Cord Lift Warning” below.

After removing the basin cover and the necessary discharge piping, lift the pump out of the basin.

Place the pump in an area where it can be cleaned thoroughly. Remove all scale and deposits on the pump.

Submerge the complete pump in a disinfectant solution (chlorox or chlorine bleach) for at least one hour before disassembling the pump.

The pump motor housing contains a special lubricating oil which should be kept clean and free of water at all times.

**NOTICE:** Whenever the motor housing is being removed for service, remove oil and replace it with new oil at reassembly. Use only oil listed in parts list in this manual. When filling with new oil, DO NOT overfill. Allow about 7/8" (22mm) air space from top of boss in housing for expansion of oil when the pump is operating.

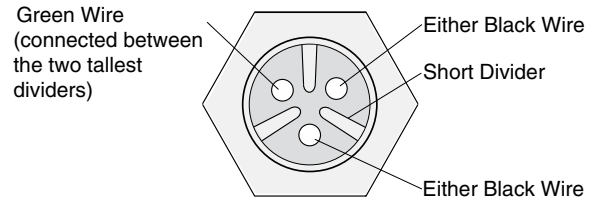
## Pump Disassembly

### Impeller and Seal Replacement

**A. Impeller removal** (See the pump disassembly drawing, Page 4):

1. Remove the oil fill plug and turn the pump upside down to drain oil.
2. Remove the capscrews holding the upper motor housing to the lower motor housing; lift off the upper motor housing and remove the motor lead wires from the connector to detach upper housing from assembly. The lead wires are fitted with quick connect terminals for this purpose.
3. Remove the capscrews holding the lower motor housing to the volute; lift off the lower motor housing.
4. Hold the rotor shaft assembly and unscrew the impeller by turning it counter-clockwise. Remove impeller and clean it.

If no more service is needed, reverse instructions above to reassemble the pump. Reattach the motor lead wires as shown in Figure 1, fill with clean dielectric oil (Part No. U197-8A), check the oil level and replace fill plug. Oil should cover the motor windings. Allow room for expansion.



View A-A

409 0893

Figure 1

### B. Shaft seal replacement:

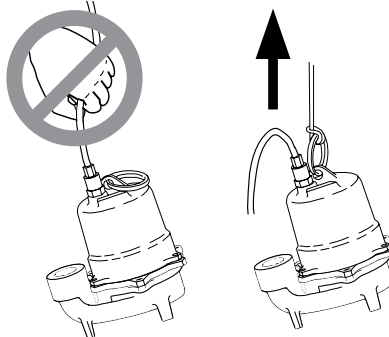
1. Follow the instructions to remove the impeller, above.
2. Remove the stator capscrews and the spacers (if applicable). Lift off the stator.
3. Remove the seal's ceramic seat from the shaft and tap the body of the seal out of the lower motor housing.
4. Clean the seal cavity thoroughly before installing the new seal. **NOTICE:** Make sure that the seal faces are clean; do not scratch or damage the new seal face during seal replacement. Apply Permatex #2 or an equivalent sparingly to the outside edge of seal body before installing the seal in the lower motor housing.
5. Press the new seal body into position in the lower housing cavity.
6. Press the ceramic seat onto the motor shaft. The impeller will pull it into position.
7. Reassemble the stator and tighten the stator capscrews.
8. Reassemble the impeller and the pump (reverse instructions 1 through 4 in section A).
9. Reattach the motor lead wires as shown in Figure 1.
10. Fill with clean dielectric oil (Part No. U197-8A), check the oil level and replace the oil fill plug.

### ⚠ WARNING



Risk of electrical shock.  
Can burn or kill.  
Do not lift pump by  
power cord.

### CORD LIFT WARNING



1. Attempting to lift or support pump by power cord can damage cord and cord connections.
2. Cord may pull apart, exposing bare wires with possibility of fire or electrical shock.
3. Lifting or supporting pump by power cord will void warranty.
4. Use lifting ring or handle on top of pump for all lifting/lowering of pump. Disconnect power to pump before doing any work on pump or attempting to remove pump from sump.

## Pump Disassembly S40HT Series

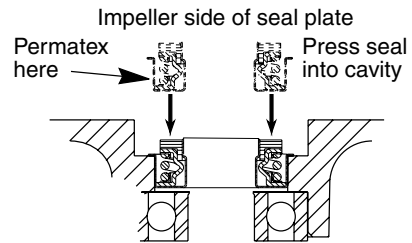
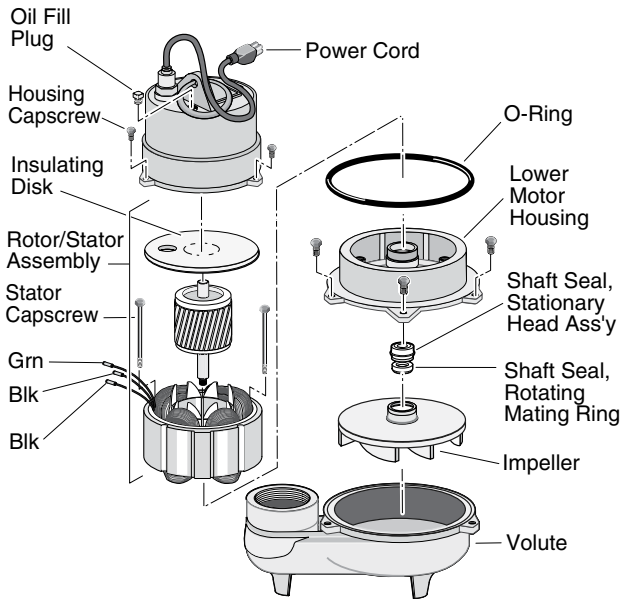


Figure 2

- Reinstall motor and shaft to seal plate using the four through bolts removed in step 9 under "Disassembly".  
**NOTICE:** Do not overtighten through bolts!
- Slide new rotating half of seal onto shaft (Figure 3).  
**NOTICE:** Do not nick or scratch the silicon carbide seal face when passing it over shaft shoulder. Seal faces must be clean and undamaged or seal may leak.

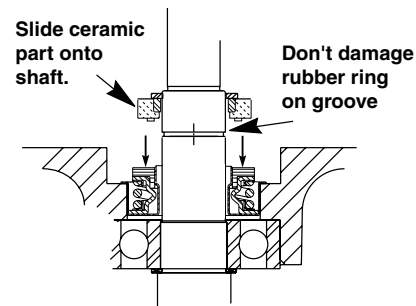
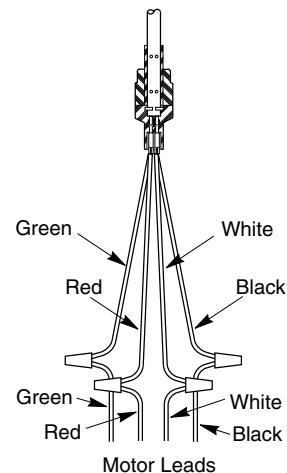


Figure 3

- Reassemble impeller, washer, and impeller nut.
- Inspect O-Ring carefully; replace if damaged. If it is not nicked or scratched, clean and reinstall.  
**NOTICE:** It is good practice to replace O-Ring each time pump is serviced.
- Reinstall capacitor cover, feeding wire through connector hole, then reconnect cord wires to connector. Reference color code markings.
- Fill motor with clean dielectric oil. To allow room for expansion, oil level with cold motor should be about 1/4" (6 mm) above top of motor assembly.

## Motor Lead Connections (S50HTP1 only)

Connect to PW217-280 panel or duplex panel 27400A245.



## Impeller and Seal Replacement, Model S50HTPC1

**⚠ WARNING** Risk of electrical shock. Disconnect electrical power before doing any service work on pump! Refer to assembly drawing.

### Disassembly

- Unscrew hex-head cap screws, remove motor assembly from volute and set it on its side in a clean area.
- Remove oil plug. Turn pump upside down to drain oil.
- Hold impeller; remove impeller nut and washer.
- Unscrew impeller (turn counter-clockwise) for cleaning.

**⚠ WARNING** Risk of electric shock. Before touching capacitor, discharge it by shorting the terminals together with an amber handled screwdriver.

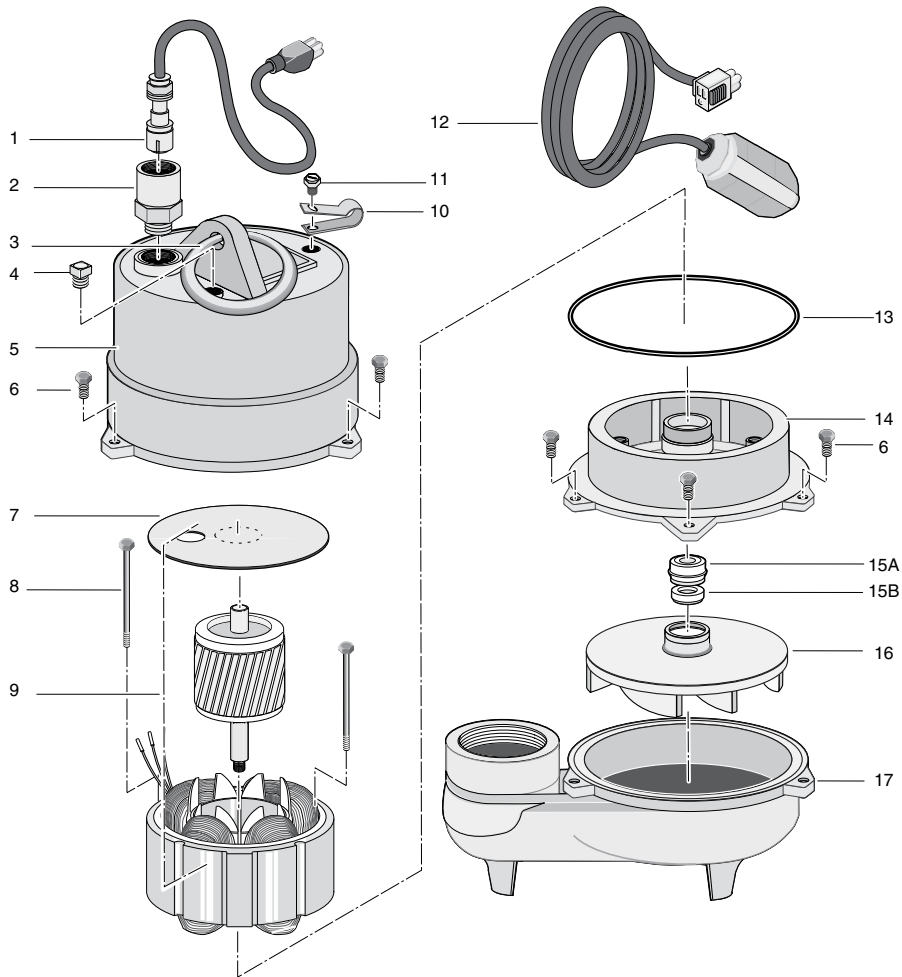
- Loosen cord nut and gently pull cord assembly out from motor cover. Disconnect wires from cord set (wires and connector are color coded for reassembly).
- Unfasten socket head screws holding motor cover to seal plate and remove motor cover.
- Remove rotating half of seal off of shaft.
- Cradle motor assembly so that it stands vertically with motor shaft extending out of the bottom.
- Remove through bolts from motor assembly. Remove motor and shaft from seal plate.
- Working from back of seal plate, tap primary seal head out of seal plate; thoroughly clean seat cavity.

### Re-assembly

**NOTICE:** Make sure that seal faces are clean and undamaged. Apply Permatex #2 or equivalent sparingly to outside edge of seal body (with spring) Figure 2.

- Press new seal body into cavity in seal plate (Figure 2).

## S40HT SERIES EXPLODED VIEW

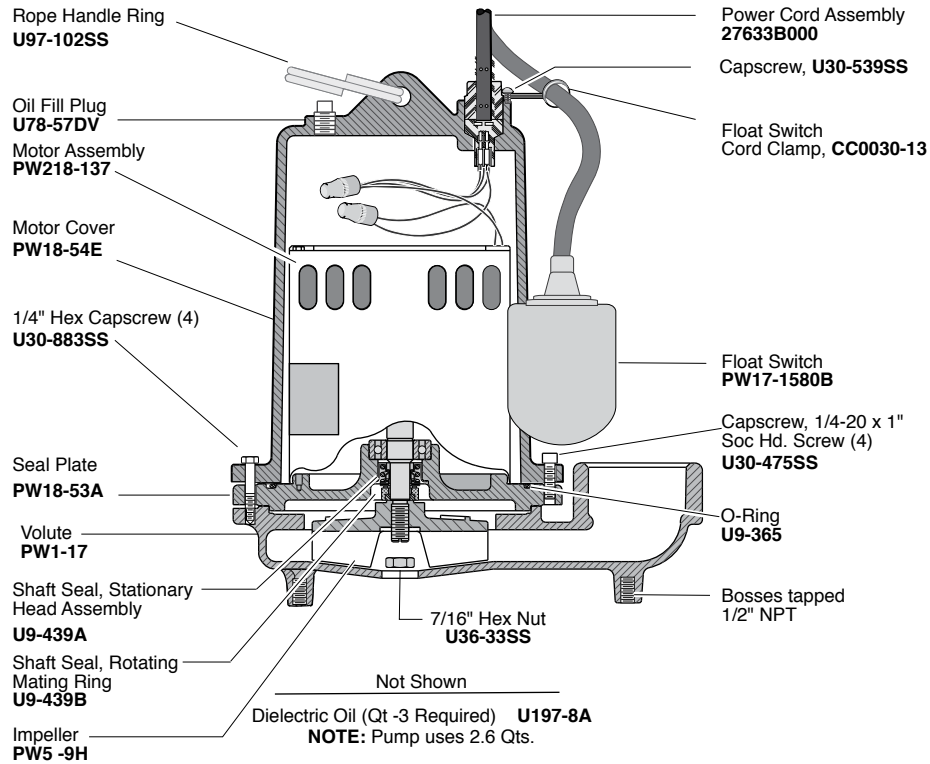


## REPAIR PARTS LIST

Key No.	Part Description	Qty.	S40HT-11P 1/3 HP 115 V	S40HT-11 1/3 HP 115 V
1	Power Cord	1	PW117-226-TSE	PW117-106-TSE
2	Cord Connector	1	PS17-46P	—
3	Handle Ring	1	U97-128	U97-128
4	1/4" NPT Plug	1	U78-57DT	U78-57DT
5	Upper Motor Housing	1	PW18-22F	PW18-22
6	#10-32 x 3/4" Capscrew	6	U30-482SS	U30-482SS
7	Insulating Disk	1	PS18-82	PS18-82
8	#10-32 x 3-1/8" Capscrew	2	U30-949ZP	U30-949ZP
9	Rotor/Stator Assembly	1	PS218-151	PS218-151
10	Switch Cord Clamp*	1	CC0030-13	—
11	#8-32 x 1/2" Capscrew*	1	U30-539SS	—
12	Automatic Float Switch*	1	PW217-25	—
13	O-Ring	1	U9-339	U9-339
14	Lower Motor Housing	1	PW18-23AA	PW18-23AA
15A	Shaft Seal Stationary Head Assembly	1	U9-379A	U9-379A
15B	Shaft Seal Rotating Mating Ring	1	U9-321A	U9-321A
16	Impeller	1	PW5-5	PW5-5
17	Volute	1	PW1-4	PW1-4
•	Dielectric Oil	1	U197-8A	U197-8A

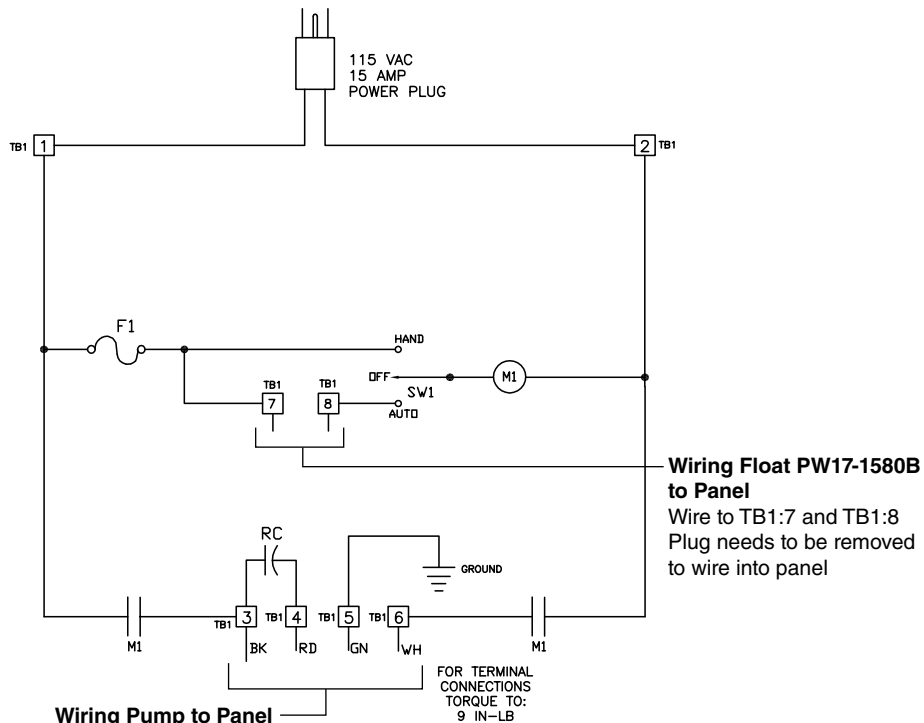
\* Not Illustrated.

# MODEL S50HTPC1 REPAIR PARTS



**NOTE:** A control panel is needed for the S50HTPC1 pump. Purchase part number PW217-280 for single pump operation. For duplex operation, purchase panel 27400A245 instead of PW217-280.

## Wiring into PW217-280 Panel



# TROUBLES-REMEDIES

**⚠ WARNING** Sudden Starts. If the power is on to the pump when thermal overload resets, the pump may start without warning. If you are working on the pump, you may get an electrical shock or the impeller may catch fingers or tools. Disconnect the power before servicing the pump.

<b>A. Pump fails to operate:</b>	<ol style="list-style-type: none"><li>1. Check to be sure that power cord is securely plugged into outlet or securely wired into controller or switch box. Disconnect power to outlet before handling pump or motor.</li><li>2. Check to be sure you have electrical power.</li><li>3. Check that liquid fluid level is high enough to activate switch or controller.</li><li>4. Check to be sure that 3/16" (5mm) vent hole in discharge pipe is not plugged.</li><li>5. Check for blockage in pump inlet, impeller, check valve or discharge pipe.</li><li>6. Disconnect the pump from the power source for a minimum of 30 minutes to allow the motor to cool and to protect yourself from sudden starts. See Warning above. Check for the cause of overheating. Pump is running dry because the float switch is caught up on something. Inlet pipe is plugged. Outlet pipe is plugged.</li></ol>
<b>B. Pump fails to empty sump:</b>	<ol style="list-style-type: none"><li>1. Be sure all valves in discharge pipe are fully open.</li><li>2. Clean out discharge pipe and check valve.</li><li>3. Check for blockage in pump inlet or impeller.</li><li>4. Pump not sized properly. A higher capacity pump may be required.</li></ol>
<b>C. Pump will not shut off:</b>	<ol style="list-style-type: none"><li>1. Check switch or controller automatic floats for proper operation and location. See installation instructions for switch/controller.</li><li>2. If pump is completely inoperative or continues to malfunction, consult your local serviceman.</li></ol>

## Limited Warranty

Myers® warrants to the original consumer purchaser ("Purchaser" or "You") of the products listed below, that they will be free from defects in material and workmanship for the Warranty Period shown below.

<b>Product</b>	<b>Warranty Period</b> whichever occurs first:
Jet pumps, small centrifugal pumps, submersible pumps and related accessories	12 months from date of original installation, or 18 months from date of manufacture
Fibrewound Tanks	5 years from date of original installation
Steel Pressure Tanks	5 years from date of original installation
Sump/Sewage/Effluent Products	12 months from date of original installation, or 36 months from date of manufacture
Battery Backup Units MBSP-2, MBSP-2C	12 months from date of original installation, or 18 months from date of manufacture
MBSP-3, MBSP-3C	24 months from date of original installation, or 30 months from date of manufacture
Wastewater Solids Handling Pumps	12 months from date of shipment from factory or 18 months from date of manufacture

Our warranty applies only where such products are used in compliance with the requirements of the applicable product catalog and/or manuals. For additional information, please refer to the applicable standard limited warranty featured in the product manual.

Our warranty will not apply to any product that, in our sole judgement, has been subject to negligence, misapplication, improper installation, or improper maintenance. Without limiting the foregoing, operating a three phase motor with single phase power through a phase converter will void the warranty. Note also that three phase motors must be protected by three-leg, ambient compensated, extra-quick trip overload relays of the recommended size or the warranty is void.

Your only remedy, and MYERS's only duty, is that MYERS repair or replace defective products (at MYERS's choice). You must pay all labor and shipping charges associated with this warranty and must request warranty service through the installing dealer as soon as a problem is discovered. No request for service will be accepted if received after the Warranty Period has expired. This warranty is not transferable.

MYERS SHALL NOT BE LIABLE FOR ANY CONSEQUENTIAL, INCIDENTAL, OR CONTINGENT DAMAGES WHATSOEVER.

THE FOREGOING LIMITED WARRANTIES ARE EXCLUSIVE AND IN LIEU OF ALL OTHER EXPRESS AND IMPLIED WARRANTIES, INCLUDING BUT NOT LIMITED TO IMPLIED WARRANTIES OF MERCHANTABILITY AND FITNESS FOR A PARTICULAR PURPOSE. THE FOREGOING LIMITED WARRANTIES SHALL NOT EXTEND BEYOND THE DURATION PROVIDED HEREIN.

Some states do not allow the exclusion or limitation of incidental or consequential damages or limitations on the duration of an implied warranty, so the above limitations or exclusions may not apply to You. This warranty gives You specific legal rights and You may also have other rights which vary from state to state.

This Limited Warranty is effective April 1, 2014 and replaces all undated warranties and warranties dated before April 1, 2014.

### **F.E. MYERS**

**293 Wright Street, Delavan, WI 53115**

**Phone: 888-987-8677 • Fax: 800-426-9446 • [www.femyers.com](http://www.femyers.com)**

**In Canada: 490 Pinebush Road, Unit 4, Cambridge, Ontario N1T 0A5**

**Phone: 800-363-7867 • Fax: 888-606-5484**



# Séries S40HT & S50HT Pompes d'effluents submersibles haute température

**MYERS®**

## SÉCURITÉ

**Lire et suivre toutes les instructions qui se trouvent dans cette Notice ou sur la pompe.**

**⚠ AVERTISSEMENT** Ce symbole indique qu'il faut être prudent.

Lorsque ce symbole apparaît sur la pompe ou dans cette Notice, rechercher une des mises en garde qui suivent, car elles indiquent un potentiel de blessures corporelles!

**⚠ DANGER** Avertit d'un danger qui causera des blessures corporelles, la mort ou des dommages matériels importants si on l'ignore.

**⚠ AVERTISSEMENT** Avertit d'un danger qui risque de causer des blessures corporelles, la mort ou des dommages matériels importants si on l'ignore.

**⚠ ATTENTION** Avertit d'un danger qui causera ou qui risquera de causer des blessures corporelles, la mort ou des dommages matériels importants si on l'ignore.

Le mot **NOTA** indique des instructions spéciales et importantes n'ayant aucun rapport avec les dangers.

- Lire attentivement toutes ces règles et toutes ces instructions.** Ne pas les respecter risque de causer de graves blessures corporelles et/ou des dommages matériels.
- Avant de procéder à l'installation, consulter les codes de la municipalité et s'y conformer.
- Aérer le réseau d'égout ou la fosse septique conformément aux codes de la municipalité.
- Ne pas installer la pompe dans un endroit classé comme étant dangereux par le National Electrical Code, le ANSI/NFPA 80-1984 ou le Code canadien de l'électricité.

**⚠ AVERTISSEMENT** Tension dangereuse. Risque de secousses, de brûlures, voire de mort. Pendant le fonctionnement, la pompe est immergée dans l'eau. Pour éviter des secousses électriques mortelles, procéder comme il est indiqué ci-dessous si l'on doit intervenir sur la pompe.

- Couper le courant alimentant le coffret de la prise de courant avant de débrancher la pompe.
- Il faut être extrêmement prudent lorsque l'on remplace les fusibles. Ne pas se tenir dans l'eau ni mettre les doigts dans la douille d'un fusible.
- Ne pas modifier le cordon électrique ni sa fiche. Si on utilise le

cordon électrique et sa fiche, ne brancher la fiche du cordon électrique que dans une prise de courant mise à la terre. Si on câble la pompe sur une commande du système, brancher le fil de mise à la terre de la pompe sur la mise à la terre du système.

- Ne pas faire fonctionner la pompe à sec, sinon elle risque de surchauffer (et causer des brûlures à quiconque la manipulera). De plus, cette pratique annule la garantie.
- Il est normal que la pompe soit chaude pendant qu'elle fonctionne. Pour éviter de se brûler lorsque l'on intervient sur la pompe, la laisser refroidir au moins 20 minutes après l'avoir arrêtée et ceci avant de la manipuler.
- La pompe est lubrifiée en permanence. Aucun huilage ni graissage n'est requis pendant son fonctionnement normal. Pour remettre en état la pompe, se reporter aux instructions figurant sous la rubrique «Entretien».

## DESCRIPTION

Ces pompes de puisard/d'effluents submersibles haute température sont conçues pour pomper les eaux usées, les effluents, les eaux des sous-sols et d'inondations et des puisards. Ces modèles peuvent être utilisés dans les fosses de purge et pour pomper des chaudières, les fosses de condensats et pour pomper l'eau chaude. Toutes les pompes sont munies d'un dispositif de protection interne contre les surcharges thermiques à réenclenchement automatique. Les roulements à billes et les joints mécaniques de l'arbre du moteur sont lubrifiés en permanence. Les fixations en acier inoxydable et l'anneau de levage de fort calibre permettent un démontage facile après une utilisation prolongée.

**NOTA :** Cette pompe n'est pas conçue pour pomper de l'eau salée ni de la saumure! La garantie sera annulée si cette pompe est utilisée pour pomper de l'eau salée ou de la saumure.

## CARACTÉRISTIQUES

Courant d'alimentation requis ..... Se reporter au tableau «Caractéristiques du moteur, de l'interrupteur et du cordon électrique» à la page 1  
 Températures maximum du liquide ..... 194 °F (90 °C)  
 Adaptateur de refoulement ..... 1 1/2 po NPT (S40HT)  
 ..... 2 po NPT (S50HT)

### Avertissement lié à la Proposition 65 de la Californie

**⚠ AVERTISSEMENT** Ce produit et les accessoires connexes contiennent des produits chimiques reconnus dans l'État de la Californie comme pouvant provoquer des cancers, des anomalies congénitales ou d'autres dangers relatifs à la reproduction.

## CARACTÉRISTIQUES DU MOTEUR, DE L'INTERRUPTEUR ET DU CORDON ÉLECTRIQUE

Numéros de modèle	Puissance du moteur (ch)	Tension	Pleine charge en ampères (minimum)	Circuit de dérivation individuel requis (en ampères)	Longueur du cordon électrique en pieds (m)	Réglages de l'interrupteur (en pouces [mm])		Diamètre de l'adaptateur de refoulement
						Marche	Arrêt	
S40HT-11P	1/3	115/1	13,0	15	20 (6,1)	13,5 (343)	4,5 (114)	1-1/2 po
S40HT-11	1/3	115/1	13,0	15	20 (6,1)	–	–	1-1/2 po
S50HTPC1*	1/2	115/1	12,0	15	20 (6,1)	17,8 (452)	8,8 (224)	2 po

\*Tableau de commande nécessaire

## RENDEMENT

Gal/min (L/min) à la hauteur totale de refoulement en pieds (m)				
Modèles	10	15	20	Aucun débit aux hauteurs ci-dessous
S40HT-11P	42	30	10	21
S40HT-11*	42	30	10	21
S50HTPC1	65	—	60	48/50

\* Pour le rendement à des températures maximum, consulter le catalogue.

## INSTALLATION

**⚠ AVERTISSEMENT** Tension dangereuse. Risque de secousses, de brûlures, voire de mort. Ne pas lever la pompe par son cordon électrique. Se reporter à «Avertissement concernant le levage par le cordon électrique» à la page 3.

**NOTA** : La pompe doit être installée sur une surface dure et de niveau (béton, asphalte, etc.). Ne jamais installer la pompe directement sur une surface en terre, en glaise ou en gravier.

## Tuyaux

Le diamètre des tuyaux ne doit pas être plus petit que le diamètre du refoulement de la pompe.

Si on branche la pompe dans un réseau d'effluents, les tuyaux doivent pouvoir laisser passer les matières solides ayant au moins **3/4 de pouce** (19 mm) de diamètre.

Le débit du tuyau de refoulement doit pouvoir permettre de garder toutes les matières solides présentes en suspension dans le liquide. Pour obtenir un débit minimum de 2 pieds par seconde (61 cm/s) dans le tuyau de refoulement, le diamètre du tuyau de refoulement doit correspondre à ceux indiqués ci-dessous :

Un tuyau d'un diamètre de :	Permettre de débiter :
1-1/2 po (38mm)	12 gal/min (45,4 L/m)
2 po (51mm)	21 gal/min (79,5 L/m)
2-1/2 po (64mm)	30 gal/min (113,5 L/m)
3 po (76mm)	48 gal/min (182 L/m)

Dans un réseau d'effluents, brancher un clapet de non retour de **1-1/2 pouce (38 mm)** sur le tuyau de refoulement de la pompe pour que le liquide ne revienne pas à contre-courant dans le puisard. Le clapet de non retour doit avoir un obturateur à passage intégral qui permettra aux matières solides de passer facilement. S'assurer que l'installation du clapet de non retour est conforme aux codes de la municipalité.

**NOTA** : Pour obtenir le meilleur rendement possible du clapet de non retour lorsque l'on pompe des matières solides, ne pas brancher le côté refoulement du clapet de non retour à un angle supérieur à 45 ° par rapport à l'horizontale. Ne pas poser le clapet de non retour à la verticale étant donné que les matières solides risqueraient de se déposer sur son obturateur et de l'empêcher de s'ouvrir au démarrage. Percer un trou de 3/16 de pouce (5 mm) dans le tuyau de refoulement, à environ 1 à 2 pouces (25 à 51 mm) au-dessus du branchement du refoulement de la pompe (mais pas sous le clapet de non retour) pour empêcher la formation de bouchons d'air dans la pompe.

## ÉLECTRICITÉ

**⚠ AVERTISSEMENT** Tension dangereuse. Risque de secousses, de brûlures, voire de mort. Lorsque l'on installe, fait fonctionner ou intervient sur cette pompe, respecter les consignes de sécurité suivantes.

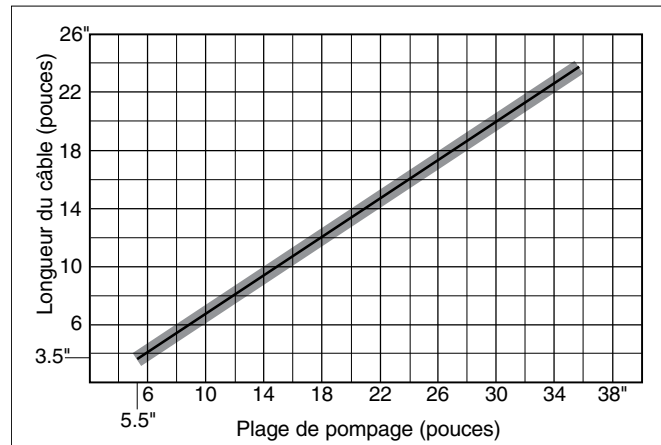
- NE PAS** épisser le cordon électrique.
- NE PAS** permettre au cordon électrique d'être immergé.
- NE PAS** utiliser de cordon prolongateur. Ce type de cordon présente un danger d'incendie et il risque de réduire suffisamment la tension pour empêcher un pompage adéquat et/ou provoquer des dommages au moteur.
- NE PAS** manipuler ou entretenir la pompe pendant qu'elle est branchée sur le courant électrique.
- NE PAS** enlever la broche de mise à la terre de la fiche ni modifier cette fiche. Pour protéger contre les secousses

électriques, le cordon électrique à 3 conducteurs est muni d'une fiche à 3 broches dont une de mise à la terre. Brancher la pompe dans une prise de courant à 3 trous dont un de mise à la terre et ceci conformément au National Electric Code, au Code canadien de l'électricité et aux codes de la municipalité.

Pour un fonctionnement automatique, brancher ou câbler la pompe sur un interrupteur à flotteur à fonctionnement automatique ou un module de commande duplex. La pompe fonctionnera constamment si elle est branchée directement dans une prise de courant électrique. Le modèle S50HTPC1 a besoin du tableau d'interrupteurs PW217-280.

Brancher ou câbler la pompe directement sur son propre circuit de dérivation individuel, sans autre prise de courant ni équipement branché sur ce circuit. Déterminer le calibre des fusibles ou des disjoncteurs d'après le Tableau «Caractéristiques du moteur, de l'interrupteur et du cordon électrique».

**⚠ AVERTISSEMENT** Risque de secousses électriques et d'incendie pouvant causer de graves blessures, des dommages matériels, voire la mort. S'assurer que les informations du courant électrique (Tension/Hz/Phase) indiquées sur la plaque signalétique du moteur de la pompe correspondent exactement au courant alimentant le circuit de la pompe. Installer la pompe conformément à tous les codes de l'électricité en vigueur.



413 0893

**Graphique de rendement – Longueur du câble et plage de pompage**

## FONCTIONNEMENT

L'interrupteur flotteur automatique du modèle S50HTPC1 est réglé en usine avec une longueur de câble de 4 po. Cette longueur de câble peut être modifiée en fonction des plages de pompage. (Voir les graphiques de performance). L'installateur doit s'assurer que l'interrupteur ne risque pas de se coincer et que la longueur est réglée pour qu'il reste au moins 2 po de liquide au-dessus de l'aspiration de la pompe au niveau le plus bas et sous le tuyau d'entrée du puisard au niveau le plus haut.

**⚠ AVERTISSEMENT** Risque d'incendie ou d'explosion pouvant causer de graves blessures, des dommages matériels, voire la mort. Ne pas utiliser cette pompe dans des atmosphères explosives, et ne pomper que de l'eau avec cette pompe.

**AVIS** : Ne pas permettre à la pompe de fonctionner dans un puisard sec, car ceci annulera la garantie et la pompe risquera d'être endommagée.

Le dispositif de protection contre les surcharges à fonctionnement automatique du moteur l'empêchera de brûler suite à une surchauffe/surcharge. Dès que le moteur refroidit, le dispositif de protection contre les surcharges se réarme automatiquement et démarre le moteur.

Si le dispositif de protection contre les surcharges se déclenche fréquemment, en rechercher la cause. Ceci peut être causé par un impulseur coincé, une mauvaise/basse tension ou une déféctuosité électrique du moteur. Si on pense qu'il y a une déféctuosité électrique du moteur, remplacer la pompe.

La pompe est lubrifiée en permanence. Aucun huilage et aucun graissage ne sont requis.

# ENTRETIEN

## Généralités

**⚠ AVERTISSEMENT** Tension dangereuse et risque que le cordon électrique soit endommagé. Risque de secousses, de brûlures, voire de mort. Avant de sortir la pompe du puisard pour l'entretenir, toujours couper le courant électrique alimentant la pompe et l'interrupteur de commande. Ne pas lever la pompe par son cordon électrique. Se reporter à «Avertissement concernant le levage par le cordon électrique» ci-dessous.

Après avoir déposé le couvercle du puisard et débranché, au besoin, le tuyau de refoulement, sortir la pompe du puisard. Mettre la pompe dans un endroit où elle pourra être nettoyée à fond. Enlever tout le tartre et tous les dépôts de la pompe. Immerger toute la pompe dans une solution désinfectante (chlorox ou agent chloré) pendant au moins une heure avant de la démonter.

Le carter de la pompe contient une huile lubrifiante spéciale. Toujours garder cette huile propre et débarrassée d'eau.

**NOTA** : Lorsque le carter du moteur est déposé pour l'entretien, vider l'huile et, au remontage, la remplacer par de l'huile neuve. N'utiliser que l'huile indiquée dans la liste des pièces de cette Notice. Lorsque l'on fait le plein de la pompe avec de l'huile neuve, NE PAS trop remplir. Laisser un espace vide d'environ 7/8 de pouce (22 mm) au-dessus du bossage du carter pour la dilatation de l'huile pendant le fonctionnement de la pompe.

## Démontage de la pompe

### Remplacement de l'impulseur et du joint

**A. Dépose de l'impulseur** (Se reporter au schéma de démontage de la pompe, à la page 4) :

1. Déposer le bouchon de remplissage d'huile et tourner la pompe à l'envers pour vider l'huile.
2. Déposer les vis à chapeau de fixation du carter supérieur du moteur sur le carter inférieur du moteur; sortir le carter supérieur du moteur, puis débrancher les fils du moteur du connecteur pour pouvoir détacher le carter supérieur. À cet effet, les fils sont branchés avec des raccords rapides.
3. Déposer les vis à chapeau de fixation du carter inférieur du moteur sur la volute; sortir le carter inférieur du moteur.
4. Immobiliser l'arbre du moteur, puis dévisser l'impulseur en le tournant à gauche. Déposer l'impulseur et le nettoyer. Si aucun autre entretien n'est requis, procéder à l'inverse des opérations de démontage pour remonter la pompe. Rebrancher les fils du moteur comme il est illustré à la Figure 1. Faire le plein du moteur avec de l'huile diélectrique propre (Numéro de pièce U197-8A). Vérifier le niveau d'huile, puis reposer le bouchon. L'huile doit couvrir les enroulements du moteur. Accorder de l'espace pour la dilatation.

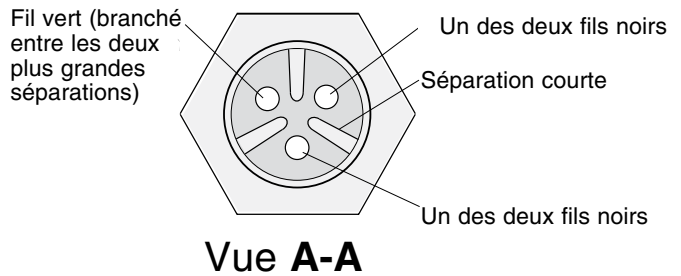


Figure 1


409 0893

### B. Remplacement du joint de l'arbre :

1. Suivre les instructions précédentes pour déposer l'impulseur.
2. Déposer les vis à chapeaux du stator et les entretoises (le cas échéant). Sortir le stator.
3. Déposer le siège en céramique du joint de l'arbre et taper sur le corps du joint pour le chasser du carter inférieur du moteur.
4. Nettoyer à fond la cavité du joint avant de poser le joint neuf. **NOTA** : S'assurer que les surfaces du joint sont propres; ne pas rayer ni endommager les surfaces du joint neuf pendant qu'on le pose. Appliquer un peu de Permatex n<sub>2</sub> ou un produit équivalent sur le bord extérieur du corps du joint neuf avant de le poser dans le carter inférieur du moteur.
5. Pousser le corps du joint neuf en position dans la cavité du carter inférieur.
6. Pousser le siège en céramique sur l'arbre du moteur. L'impulseur le tirera en position.
7. Remonter le stator et serrer les vis à chapeau du stator.
8. Remonter l'impulseur dans la pompe (en procédant à l'inverse des opérations 1 à 4 du paragraphe A.).
9. Rebrancher les fils du moteur comme il est illustré à la Figure 1.
10. Faire le plein d'huile diélectrique propre (Numéro de pièce U197-8A). Vérifier le niveau de l'huile, puis reposer le bouchon.

AVERTISSEMENT

### AVERTISSEMENT

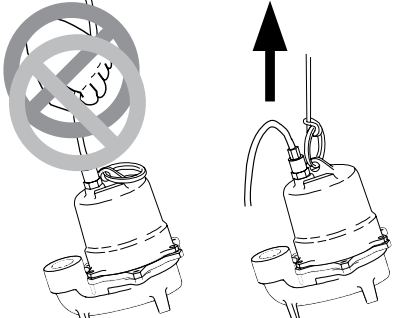


**Risque de secousses électriques.**

**Risque de brûlures, voire de mort.**

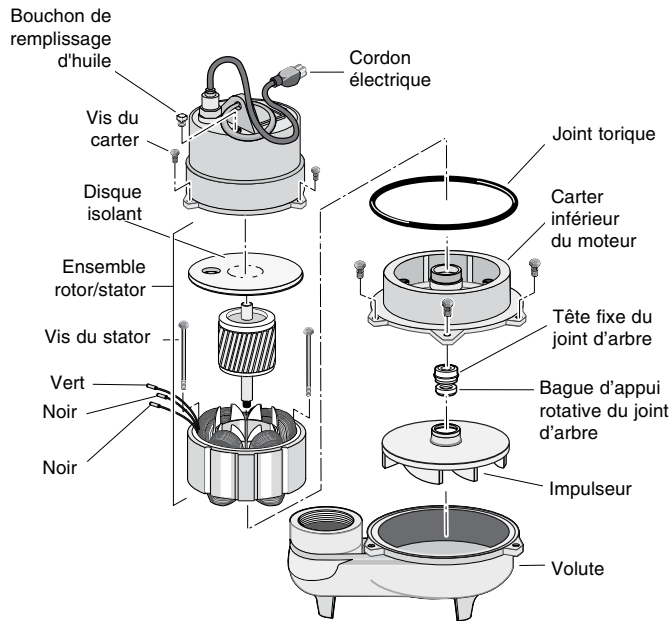
**Ne pas lever la pompe par son cordon électrique.**

### AVERTISSEMENT CONCERNANT LE LEVAGE PAR LE CORDON ÉLECTRIQUE



1. Essayer de lever ou de supporter la pompe par son cordon électrique risque d'endommager le cordon électrique et les connexions du cordon électrique.
2. Le cordon peut se séparer et exposer les fils nus et présenter un risque d'incendie ou d'électrocution.
3. Lever ou supporter la pompe par son cordon électrique annulera la garantie.
4. Utiliser l'anneau de levage ou la poignée de la pompe pour lever/abaisser la pompe. Couper le courant alimentant la pompe avant d'intervenir sur la pompe ou de la sortir du puisard.

## Démontage de la pompe Série S40HT



## Remplacement de l'impulseur et du joint, Modèle S50HTPC1

**⚠ AVERTISSEMENT** Risque d'électrocution. Débrancher l'alimentation électrique avant d'effectuer n'importe quel travail sur la pompe !

Consulter le dessin de montage.

### Démontage

1. Dévisser les vis à tête à six pans, déposer l'ensemble de moteur de la volute et le mettre de côté dans un endroit propre.
2. Retirer le bouchon d'huile. Retourner la pompe pour vidanger l'huile.
3. Maintenir l'impulseur, déposer l'écrou de l'impulseur et la rondelle.
4. Dévisser l'impulseur (le tourner dans le sens antihoraire) pour le nettoyer.

**⚠ AVERTISSEMENT** Risques d'électrocution. Avant de toucher le condensateur, le décharger en mettant en court-circuit les bornes avec un tournevis à manche orange.

5. Desserrer l'écrou du cordon et tirer doucement l'ensemble de cordon hors du couvre-moteur. Débrancher les fils du cordon (les fils et le connecteur ont des codes de couleur pour le remontage).
6. Détacher les vis à six pans creux maintenant le couvre-moteur sur la plaque d'étanchéité et déposer le couvre-moteur.
7. Retirer le demi-joint rotatif de l'arbre.
8. Poser le moteur sur un berceau de façon à ce qu'il reste vertical avec l'arbre du moteur sortant en bas.
9. Déposer les boulons traversants de l'ensemble du moteur. Déposer le moteur et l'arbre de la plaque d'étanchéité.
10. Depuis l'arrière de la plaque d'étanchéité, faire sortir avec un marteau la tête de joint primaire de la plaque d'étanchéité; nettoyer soigneusement la cavité du siège.

### Remontage

**REMARQUE** : S'assurer que les faces du joint sont propres et ne sont pas endommagées. Appliquer du Permatex #2 ou un produit équivalent modérément sur le bord extérieur du corps du joint (avec ressort). Figure 2.

1. Enfoncer le corps de joint neuf dans la cavité de la plaque d'étanchéité (Figure 2).

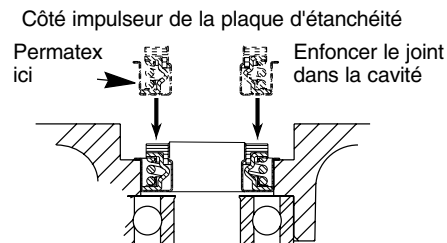


Figure 2

2. Remonter le moteur et l'arbre sur la plaque d'étanchéité en utilisant les quatre boulons traversants déposés à l'étape 9 sous « Démontage ».

**REMARQUE** : Ne pas trop serrer les boulons traversants !

3. Glisser sur l'arbre un demi-joint rotatif neuf (Figure 3).

**REMARQUE** : Ne pas entailler ni rayer la face du joint en carbure de silicium en la passant sur l'épaule de l'arbre. Les faces du joint doivent être propres et en bon état, sinon le joint risque de fuir.

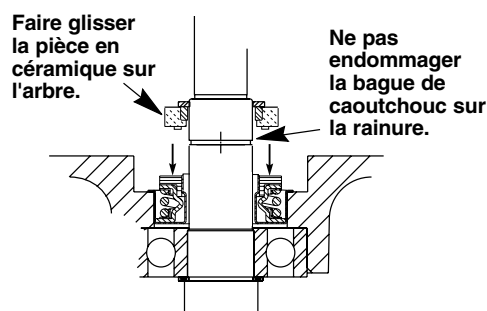


Figure 3

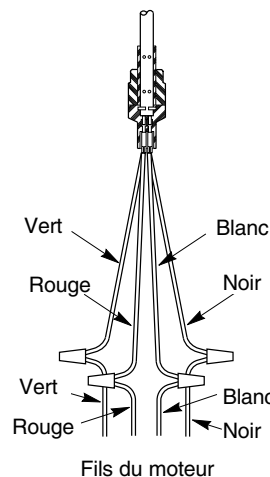
4. Remonter l'impulseur, la rondelle et l'écrou de l'impulseur.
5. Vérifier soigneusement le joint torique; le remplacer s'il est endommagé. S'il n'est pas entaillé ni rayé, le nettoyer et le remettre en place.

**REMARQUE** : Il vaut mieux remplacer le joint torique à chaque fois que la pompe est réparée.

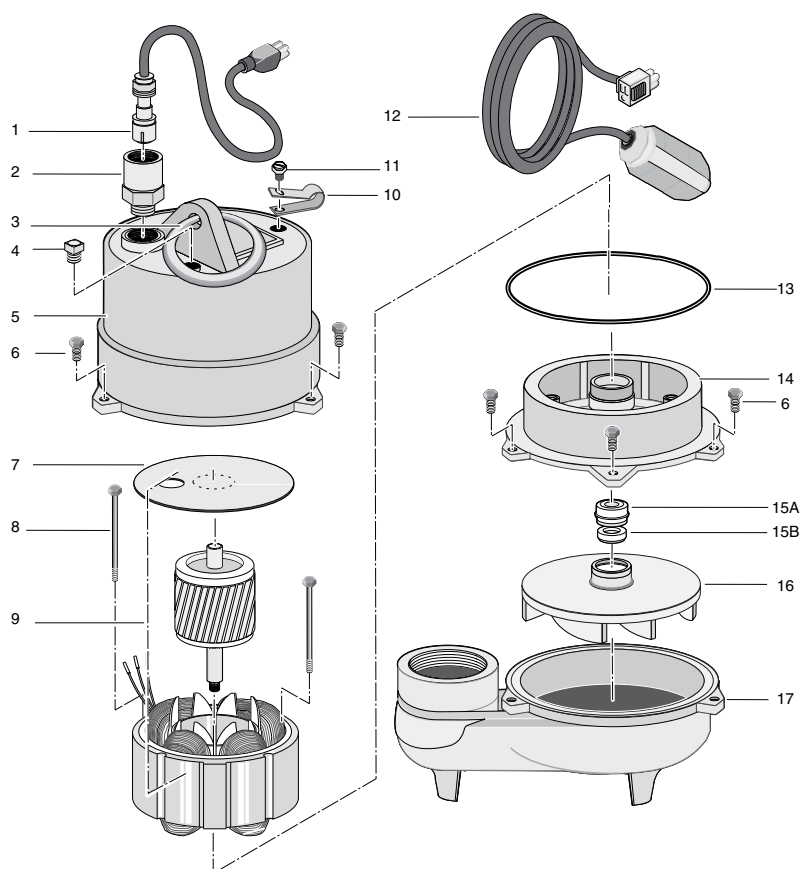
6. Remonter le couvercle du condensateur, en faisant passer le fil par le trou du connecteur, puis rebrancher les fils du cordon au connecteur. Respecter les marques des codes de couleur.
7. Remplir le moteur avec de l'huile diélectrique neuve. Pour permettre au liquide de se dilater, le niveau d'huile avec le moteur froid devrait être à environ 1/4 po (6 mm) au-dessus du haut du moteur.

## Branchements des fils du moteur (S50HTP1 seulement)

Brancher au tableau PW217-280 ou au panneau duplex 27400A245.



## VUE ÉCLATÉE - SÉRIE S40HT



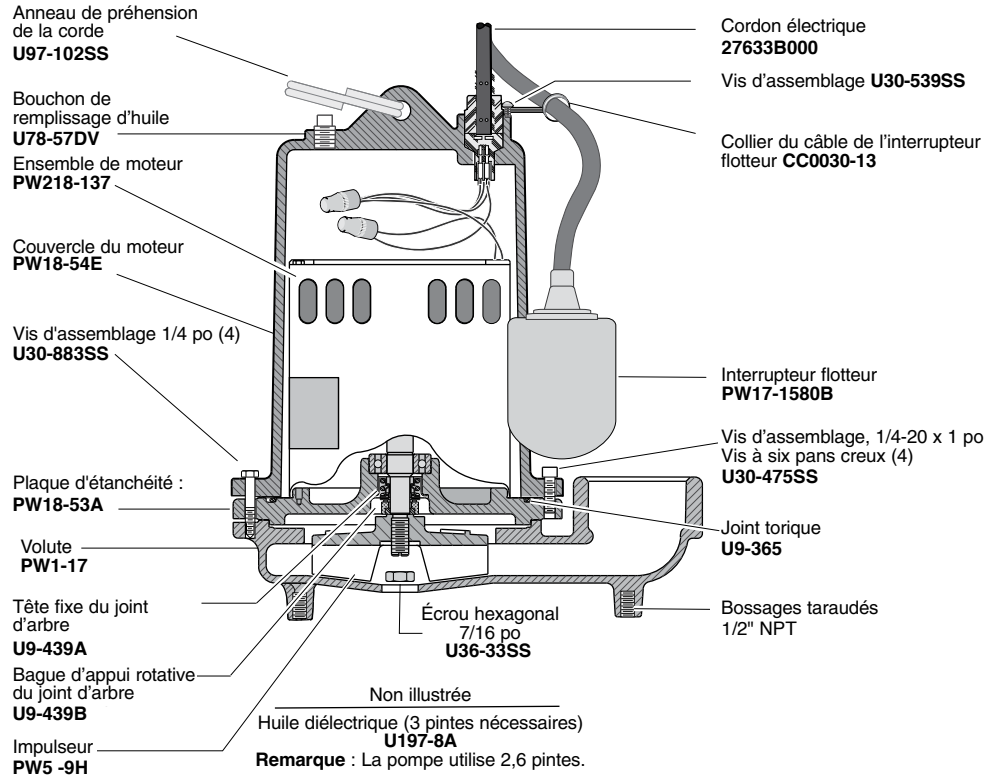
411 0895 EC3

## LISTE DES PIÈCES DE RECHANGE

Réf.	Désignation	Qté	S40HT-11P 1/3 ch 115 V	S40HT 1/3 ch 115 V
1	Cordon électrique	1	PW117-226-TSE	PW117-106-TSE
2	Connecteur du cordon électrique	1	PS17-46P	-
3	Anneau de levage	1	U97-128	U97-128
4	Bouchon fileté mâle de 1/4 de pouce NPT	1	U78-57DT	U78-57DT
5	Carter supérieur du moteur	1	PW18-22F	PW18-22
6	Vis à chapeau n° 10-32 x 3/4 de po	6	U30-482SS	U30-482SS
7	Disque isolant	1	PS18-82	PS18-82
8	Vis à chapeau n° 10-32 x 3 1/8 po	2	U30-949ZP	U30-949ZP
9	Ensemble rotor/stator	1	PS218-151	PS218-151
10	Collier du cordon de l'interrupteur*	1	CC0030-13	-
11	Vis à chapeau n° 8-32 x 1/2 po*	1	U30-539SS	-
12	Interrupteur à flotteur à fonctionnement automatique*	1	PW217-25	-
13	Joint torique	1	U9-339	U9-339
14	Carter inférieur du moteur	1	PW18-23AA	PW18-23AA
15A	Tête fixe du joint d'arbre	1	U9-379A	U9-379A
15B	Bague d'appui rotative du joint d'arbre	1	U9-321A	U9-321A
16	Impulseur	1	PW5-5	PW5-5
17	Volute	1	PW1-4	PW1-4
•	Huile diélectrique	1	U197-8A	U197-8A

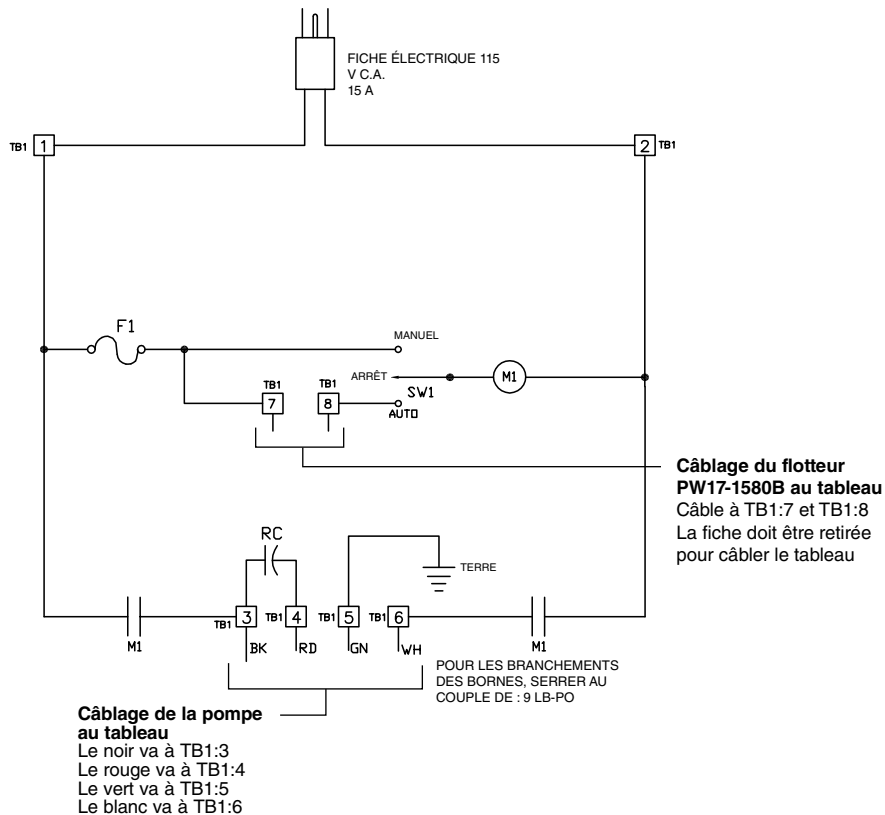
• Pièces non illustrées.

# PIÈCES DÉTACHÉES DU MODÈLE S50HTPC1



**REMARQUE :** Un tableau de commande est nécessaire pour la pompe S50HTPC1. Acheter la pièce numéro PW217-280 pour l'utilisation d'une seule pompe. Pour commander deux pompes, acheter le tableau 27400A245 au lieu du PW217-280.

## Câblage du tableau PW217-280



# GUIDE DE RECHERCHE DES PANNES

**⚠ AVERTISSEMENT** Démarrage soudain. Si le courant alimente la pompe lorsque le dispositif de protection contre les surcharges thermiques se réenclenche, la pompe risque de démarrer sans avertissement. Si, à ce moment-là, on intervient sur la pompe, on risque de subir des secousses électriques ou bien de se coincer les doigts dans l'impulseur ou bien des outils risquent de se coincer dans l'impulseur. Toujours couper le courant alimentant la pompe avant d'intervenir sur la pompe.

<b>A. La pompe ne fonctionne pas :</b>	<ol style="list-style-type: none"><li>1. S'assurer que le cordon électrique est enfoncé à fond dans la prise de courant. Couper le courant électrique alimentant la prise de courant avant de manipuler la pompe ou le moteur.</li><li>2. S'assurer que le courant électrique parvient à la pompe.</li><li>3. S'assurer que le niveau du liquide est suffisamment haut pour actionner l'interrupteur ou le contrôleur.</li><li>4. S'assurer que le tuyau de refoulement comporte un trou d'aération ayant au moins 5 mm (3/16 de pouce) de diamètre et que ce trou n'est pas bouché.</li><li>5. S'assurer que l'admission de la pompe, l'impulseur, le clapet de non retour ou le tuyau de refoulement ne sont pas obstrués.</li><li>6. Débrancher la pompe du courant qui l'alimente pendant au moins 30 minutes pour laisser refroidir le moteur et se protéger contre les démarrages soudains. Se reporter à l'avertissement ci-dessous. Vérifier la cause de la surchauffe. La pompe fonctionne à sec parce que l'interrupteur à flotteur est coincé. Le tuyau d'admission de la pompe est bouché. Le tuyau de refoulement de la pompe est bouché.</li></ol>
<b>B. La pompe ne vide pas le puisard :</b>	<ol style="list-style-type: none"><li>1. S'assurer que tous les robinets du tuyau de refoulement sont complètement ouverts.</li><li>2. Nettoyer le tuyau de refoulement et le clapet de non retour.</li><li>3. S'assurer que l'admission de la pompe ou que l'impulseur ne se sont pas obstrués.</li><li>4. La pompe n'est peut-être pas suffisamment puissante. Dans ce cas, une pompe d'une puissance supérieure est peut-être requise.</li></ol>
<b>C. La pompe ne s'arrête pas :</b>	<ol style="list-style-type: none"><li>1. S'assurer du bon fonctionnement et du bon emplacement du ou des interrupteurs à flotteur(s) à fonctionnement automatique ou du contrôleur. Se reporter aux instructions d'installation du fabricant des interrupteurs ou du contrôleur.</li><li>2. Si la pompe ne fonctionne pas du tout ou si elle continue de mal fonctionner, s'adresser à un réparateur local.</li></ol>

## Garantie Limitée

Myers® garantit à l'acheteur-utilisateur initial (« l'acheteur » ou « vous ») des produits figurant ci-dessous qu'ils seront exempts de tout défaut de matériel et de fabrication pour la période de garantie indiquée ci-dessous.

Produit	Période de garantie du produit
Pompes à éjecteur, petites pompes centrifuges, pompes submersibles et accessoires connexes	selon la première éventualité : 12 mois à partir de la date de première installation ou 18 mois à partir de la date de fabrication
Réservoirs en fibre enroulée	5 ans à partir de la date de première installation
Réservoirs sous pression en acier	5 ans à partir de la date de première installation
Produits pour puisard/eaux usées/effluents	12 mois à partir de la date de première installation, 36 mois à partir de la date de fabrication
Pompes de traitement des matières solides des eaux usées	12 mois à partir de la date d'expédition de l'usine ou 18 mois à partir de la date de fabrication

Notre garantie s'applique uniquement quand ces produits sont utilisés conformément aux exigences du catalogue et/ou des manuels des produits concernés. Pour plus d'information, consultez la garantie limitée standard applicable dans le manuel du produit.

Notre garantie ne s'applique pas aux produits qui, à notre seul avis, ont fait l'objet de négligence, d'une mauvaise utilisation, d'une mauvaise installation ou d'un manque d'entretien adéquat. Sans aucune limitation des présentes, l'utilisation d'un moteur triphasé sur un courant monophasé par l'intermédiaire d'un déphaseur annulera la garantie. Il faut également noter que les moteurs triphasés doivent être protégés par un relais de surcharge tripolaire thermocompensé à déclenchement extrêmement rapide du calibre recommandé, sinon la garantie sera annulée.

Votre seul recours et la seule responsabilité de MYERS sont que MYERS répare ou remplace les produits défectueux (au choix de MYERS). Vous vous engagez à payer tous les frais de main-d'œuvre et d'expédition du produit couvert par cette garantie et de vous adresser au concessionnaire-installateur dès qu'un problème est découvert pour obtenir un service sous garantie. Aucune demande de service ne sera acceptée après l'expiration de la période de garantie. Cette garantie n'est pas transférable.

MYERS NE SERA TENUE RESPONSABLE D'AUCUN DOMMAGE INDIRECT, ACCIDENTEL OU FORTUIT, QUEL QU'IL SOIT.

LES GARANTIES LIMITÉES SUSMENTIONNÉES SONT EXCLUSIVES ET REMPLACENT TOUTES LES AUTRES GARANTIES EXPRESSES ET TACITES, Y COMPRIS, MAIS SANS S'Y LIMITER, LES GARANTIES TACITES DE QUALITÉ MARCHANDE ET D'ADAPTATION À UN USAGE PARTICULIER. LES GARANTIES LIMITÉES SUSMENTIONNÉES NE DOIVENT PAS ÊTRE PROLONGÉES AU-DELÀ DE LA DURÉE PRÉVUE AUX PRÉSENTES.

Certaines provinces n'autorisent pas d'exclure ou de limiter les dommages fortuits ou indirects ou de limiter la durée d'une garantie implicite; il se peut donc que les limitations ou exclusions ci-dessus ne s'appliquent pas à votre cas. La présente garantie vous donne des droits juridiques spécifiques et vous pouvez en avoir d'autres qui varient d'une province à l'autre.

Cette garantie limitée entre en vigueur le 7 février 2014 et remplace toutes les garanties non datées et les garanties datées après le 7 février 2014.

### F.E. MYERS

**293 Wright Street, Delavan, WI 53115**

**Téléphone : 888-987-8677 Télécopieur : 800-426-9446 • [www.femyers.com](http://www.femyers.com)**

**Au Canada : 490 Pinebush Road, Unit 4, Cambridge, Ontario N1T 0A5**

**Téléphone : 800-363-7867 Télécopieur : 888-606-5484**