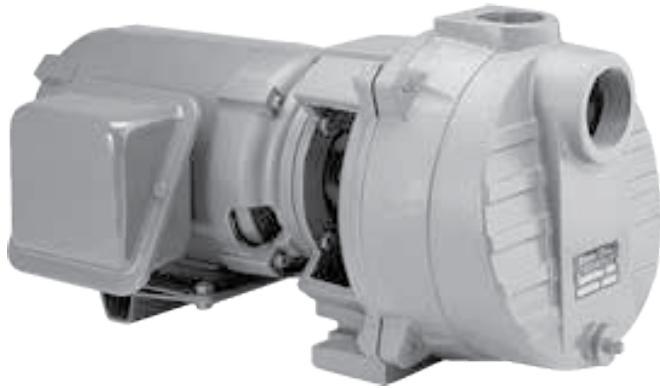


## Quick Prime Self-Priming Centrifugal Pumps



The Quick Prime self-priming centrifugal pump delivers strong dependable performance for demanding jobs where a lot of water is required over a long period of time. The heavy duty 184JM motor, brass impeller, and large capacity rugged cast iron pump end deliver reliable and continuous high performance service. Not for use with corrosive chemicals or flammable liquids.

### APPLICATIONS

Both commercial and residential applications requiring large flow rates, including sprinkler systems; irrigation; booster service; water transfer, circulation and supply; dewatering, fire protection, car washing, or other big cleaning and maintenance jobs.

### SPECIFICATIONS

- ◆ High tensile cast iron pump case and motor bracket.
- ◆ Brass impeller (optional engineered composite impeller available for certain models).
- ◆ Ceramic/glass thermoset diffuser, with stainless steel wear ring.
- ◆ Square rubber sealing rings.
- ◆ Carbon/ceramic shaft seal.

### SPECIFICATIONS

**Powerful Performance** – Maximum head of 178 feet (77 psi) and flow capabilities to 135 gpm.

**Ruggedly Built** – To meet the demands for long, hard continuous service without over-working or overloading the motor.

**Simple Design** – Powerful, efficient operation and easy servicing. Convenient back pull-out design.

**Heavy Duty Motor** – Full frame 184JM design, extra-large, double-ball bearings, non-overloading, continuous duty rating, strong capacitor start, single or three phase options.

**Brass Impellers** – Precision machines and balanced for smooth, quiet operation. corrosion resistant for long life.

**Quick Priming** – Large case for maximum water retention to insure quick and easy priming, true self-priming design with top suction inlet retains water in case and maintains the prime, exclusive diffuser plate with stainless steel impeller wear ring for fast priming.

**Mechanical Shaft Seal** – Precision lapped and polished carbon/ceramic faces, Buna elastomers, and stainless steel metal components, top suction pump design prevents the seal from running dry.

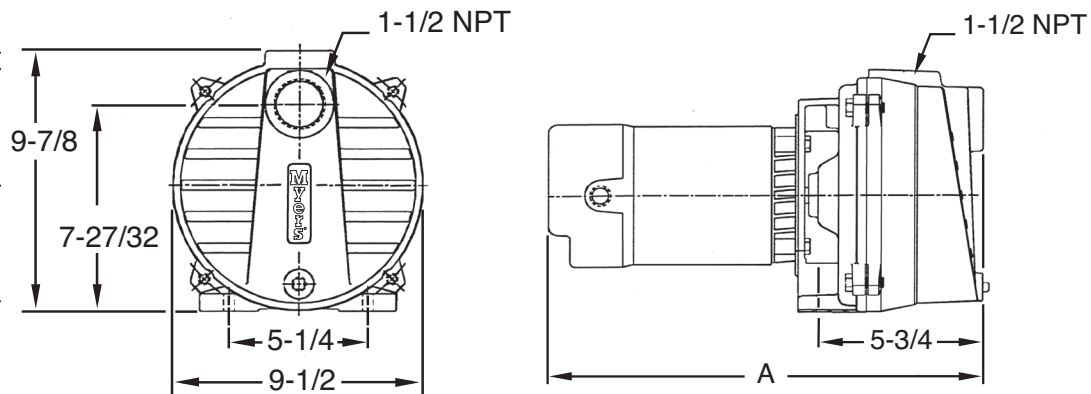
### ORDERING INFORMATION

CATALOG NUMBER		HP	PIPE SIZES		MAXIMUM TOTAL SHUT-OFF HD.		APPROX. WT. LBS.
1 PHASE	3 PHASE		SUCT.	DISCH.	FEET	PSI	
QP7	QP7-3	3/4	1-1/2"	1-1/2"	105	45.5	58
QP10	QP10-3	1	1-1/2"	1-1/2"	108	47	61
QP15	QP15-3	1-1/2	1-1/2"	1-1/2"	111	48	68
QP20	QP20-3	2	1-1/2"	1-1/2"	116	50	74
QP30	QP30-3	3	1-1/2"	1-1/2"	121	52	87
QP50B	QP50B-3	5	2-1/2"	2"	178	77	58/61

# Quick Prime Self-Priming: Centrifugal Pumps

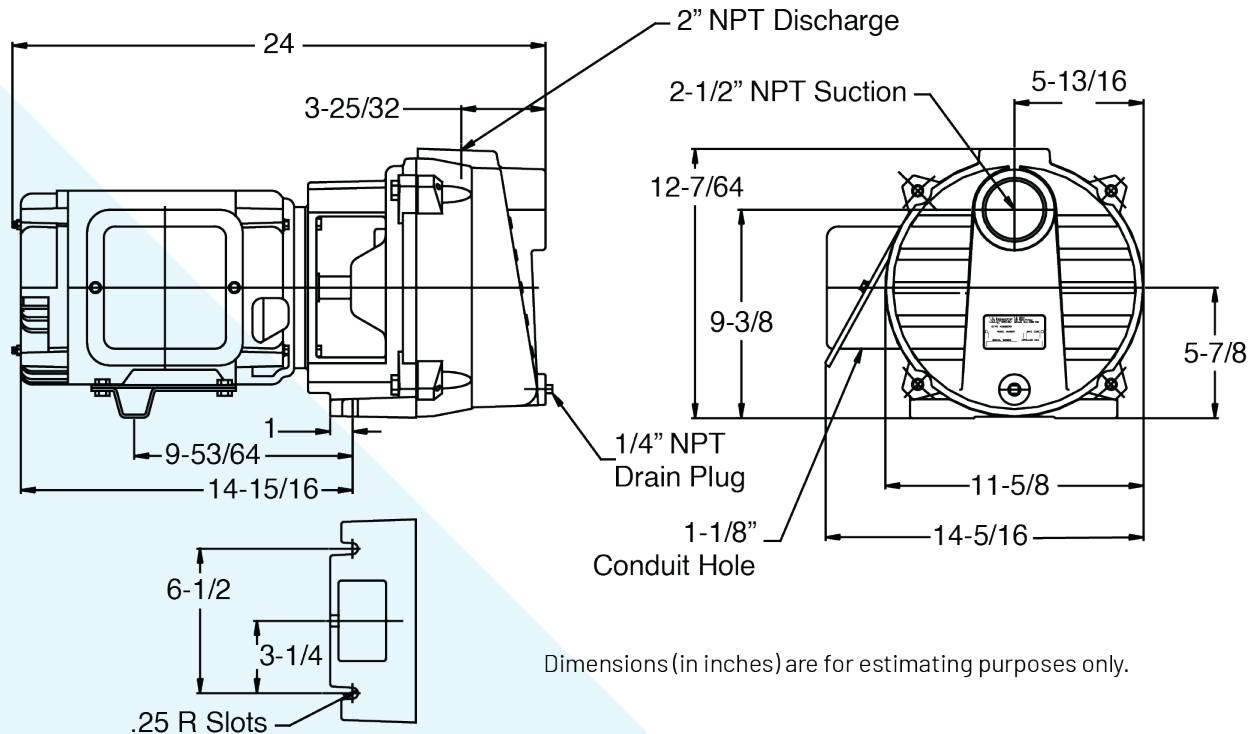
## SPECIFICATIONS & PERFORMANCE

### OUTLINE DIMENSIONS: QP7, QP10, QP15, QP20, & QP30 MODELS



CAT. NO.	A
QP7	16.75
QP10	16.75
QP15	18.625
QP20	18.625
QP30	21.625

### OUTLINE DIMENSIONS: QP50B

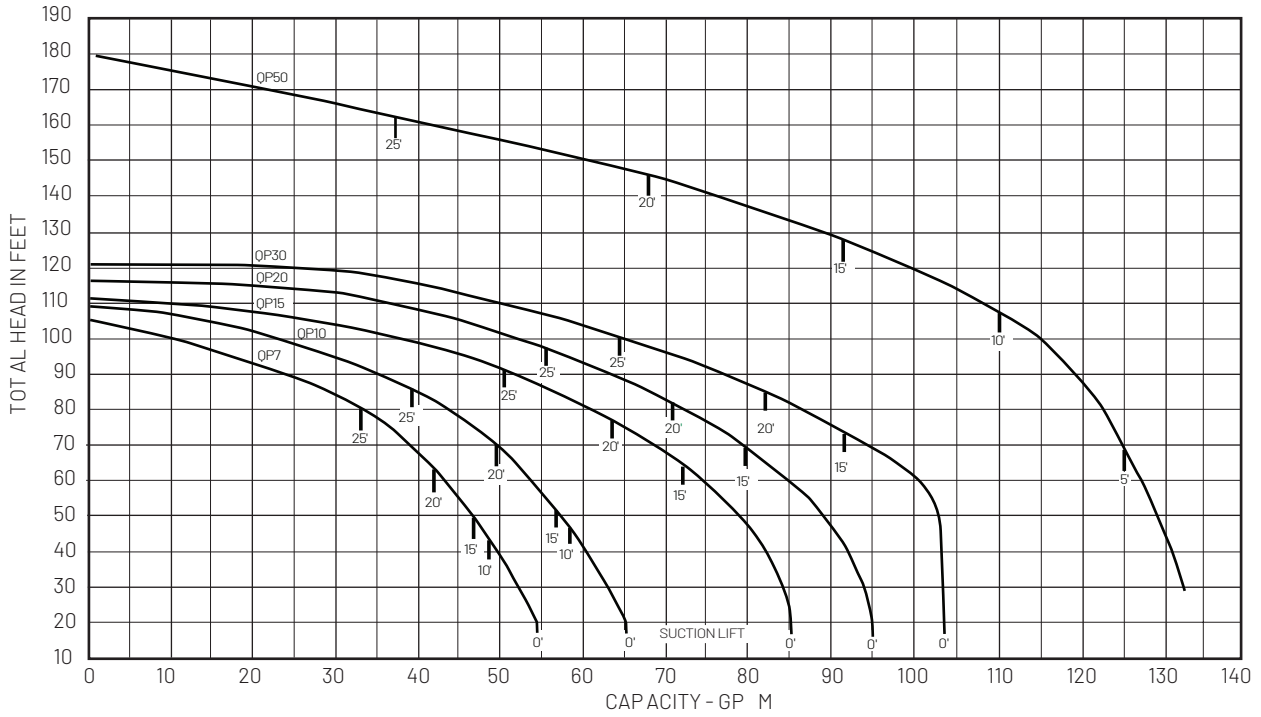


Dimensions (in inches) are for estimating purposes only.

# Quick Prime Self-Priming: Centrifugal Pumps

## SPECIFICATIONS & PERFORMANCE

### PUMP PERFORMANCE



### CABLE SELECTION

MOTOR RATING		COPPER WIRE SIZE							
VOLTAGE	PHASE	14	12	10	8	6	4	2	0
230	1				150	250			
208	3			160	250	400	640	1020	1630
230	3		130	210	340	540	850	1360	2160
460	3	330	530	850	1350	2150	3422	5440	8650

This table is based on copper wire. If aluminum wire is used it must be two sizes larger. Example: When the table call for #12 copper wire you would use #10 aluminum wire.

# Quick Prime Self-Priming: Centrifugal Pumps

## PUMP PERFORMANCE

CATALOG NUMBER		HP	DISCH. PRESSURE PSI	CAPACITY IN GPM FOR DISCHARGE PRESSURE AND TOTAL SUCTION LIFT INDICATED			
1 PHASE	3 PHASE			10 FT.	15 FT.	20 FT.	25 FT.
QP7	QP7-3	3/4	20	40.75	38.1	36.1	33.2
			25	35.75	33.5	30.9	27.5
			30	30.75	27.25	23.1	18
			35	21.5	15.1	8.5	
			40	6.5			
QP10	QP10-3	1	20	51.2	48.9	46.4	39.25
			25	46.2	43.5	40.6	37.4
			30	40.5	37.5	33.6	29.2
			35	33	27.6	20.6	10
			40	19	5		
QP15	QP15-3	1-1/2	20	71.6	69.4	63.4	50.25
			25	66.5	62.5	58.75	50.25
			30	59.5	55	50.5	45
			35	50.5	43.6	37	24.9
			40	36.8	25.9		
QP20	QP20-3	2	20	78.9	76.6	70.5	55.5
			25	74.6	71.5	67	55.5
			30	68.5	63.5	58.4	53
			35	58.5	52.9	47	40
			40	47.5	40.5	32.5	
QP30	QP30-3	3	20	93	91	82	64
			25	92.9	91	82	64
			30	89.8	85.5	78.6	64
			35	81	73.3	65.6	57
			40	67.9	59.1	48.5	37.5
			45	47.9	30		
QP50B	QP50B-3	5	10	110	91	67	
			20	108	90	65	
			30	107	88	63	
			40	103	84	62	
			50	88	80	40	

NOTE: Single phase units are dual voltage (115/230 volt) 2 and 3 HP are 230 volt only.  
 NOTE: All units are loaded within the motor service factor and are rated for continuous operation.



293 Wright Street,  
 Delavan, WI 53115  
 USA  
 Ph: 888.782.7483  
 Orders Fax: 800.426.9446

490 Pinebush Road  
 Unit 4, Cambridge,  
 Ontario N1T 0A5, Canada  
 Ph: 800.363.7867  
 Orders Fax: 888.606.5484

pentair.com

All indicated Pentair trademarks and logos are property of Pentair. Third party registered and unregistered trademarks and logos are the property of their respective owners. Because we are continuously improving our products and services, Pentair reserves the right to change specifications without prior notice. Pentair is an equal opportunity employer.

M9137WS (01/20/21) ©2021 Pentair. All Rights Reserved.