

WHOLE HOUSE IRON REDUCTION SYSTEMS



APPLICATIONS

- ◆ Whole House

FEATURES • BENEFITS

- ◆ Simple, electronic system for easy programming; maintains settings during power outages
- ◆ Automatic bypass for uninterrupted water flow to the home during regeneration
- ◆ Singular, rotary disc seal means longer life and lower maintenance
- ◆ Self-cleaning injector reduces maintenance
- ◆ Chemical free operation minimizes operating costs
- ◆ 1.0 and 1.5 cubic foot capacities available to meet household demand requirements

SPECIFICATIONS

| PART NO. | 35928 | 35929 |
|--|-----------|-----------|
| Rated Service Flow (gpm) | 5.0 | 5.0 |
| Pressure Drop at Rated Service Flow Rate (psi) | 3 | 3 |
| Media (cu ft) | 1.0 | 1.5 |
| Tank Size (dia x h) | 10" x 44" | 10" x 54" |

VALVE SPECIFICATIONS

| | |
|---------------------|--------------------------------|
| Valve Body | Glass-Filled Thermoplastic |
| Rubber Components | Compounded For Cold Water |
| Operating Pressure | 20 - 120 psi (1.38 - 8.27 bar) |
| Water Temperature | 40° - 100°F (4.4° - 38°C) |
| Ambient Temperature | 40° - 100°F (4.4° - 38°C) |

POWER REQUIREMENTS

| | |
|-------------------------------------|------------------------|
| Input Supply Frequency | 50 or 60 Hz |
| Motor Input Voltage | 24 Volt - DC |
| Controller System Power Consumption | 3 Watts Average |
| Transformer Output Voltage | 24 Volt - AC 500 mA |
| Transformer Input Options | 115 Volt - AC 50/60 Hz |

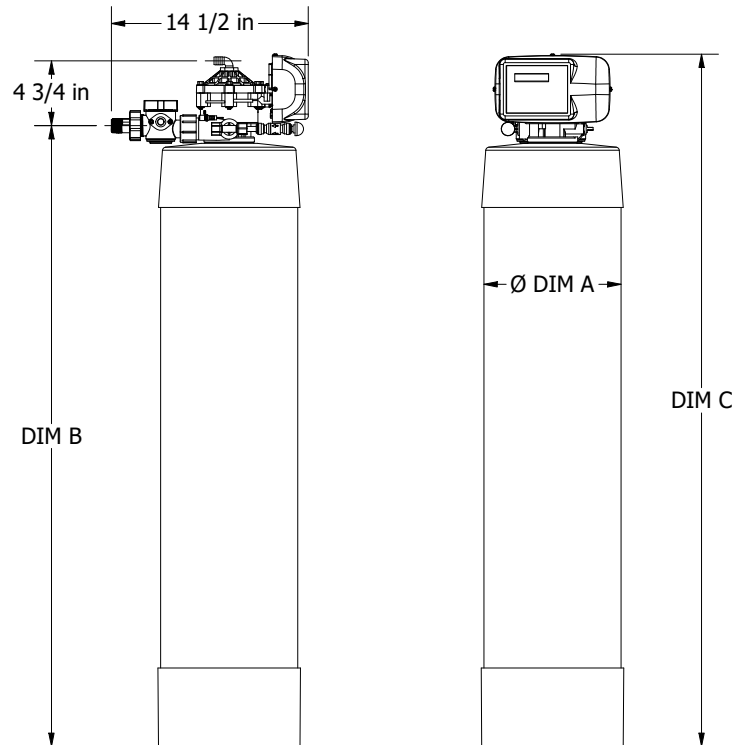
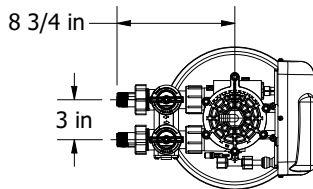
CYCLE INFORMATION

| | |
|-------------------|--|
| Downflow/Upflow | Downflow Only |
| Adjustable Cycles | Yes |
| 4 Cycle Valve | 1) Service/Home 2) Backwash 3) Slow Rinse 4) Fast Rinse |

VALVE CONNECTIONS

| | |
|----------------------------|---------------------------------|
| Tank Thread | 2-1/2" - 8, Male |
| Drain Line | 3/4" NPT, Female |
| In/Out Bypass Valve | Included |
| Drain Line Elbow Fitting | 1/2" Hose Barb Included |
| In/Out Plumbing Connection | 3/4" NPT, Male Plastic Fittings |

| Tank Size | DIM A | DIM B | DIM C |
|-----------|-----------|-----------|-----------|
| 10x44 | 10-1/4 in | 46 in | 51 in |
| 10x54 | 10-1/4 in | 55-7/8 in | 61-1/4 in |



13845 Bishops Dr. | Suite 200 | Brookfield, WI 53005 | United States
 Customer Service: 800.811.3489 | systems-tech-support@pentair.com | pentair.com

§For a detailed list of where Pentair trademarks are registered, please visit www.pentair.com/registrations. Pentair trademarks and logos are owned by Pentair plc or its affiliates. Third party registered and unregistered trademarks and logos are the property of their respective owners.

© 2020 Pentair Residential Filtration, LLC. All rights reserved.

4005648 Rev A JA20