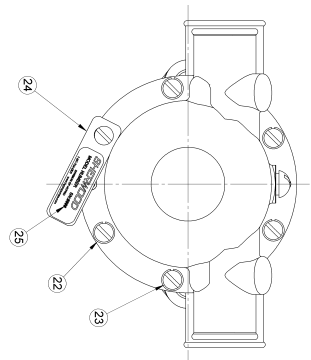
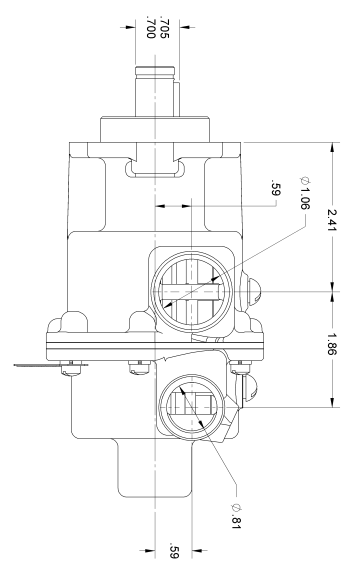
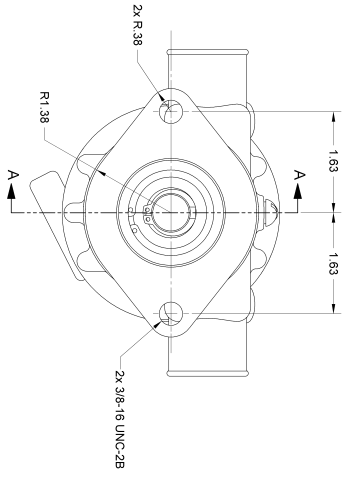
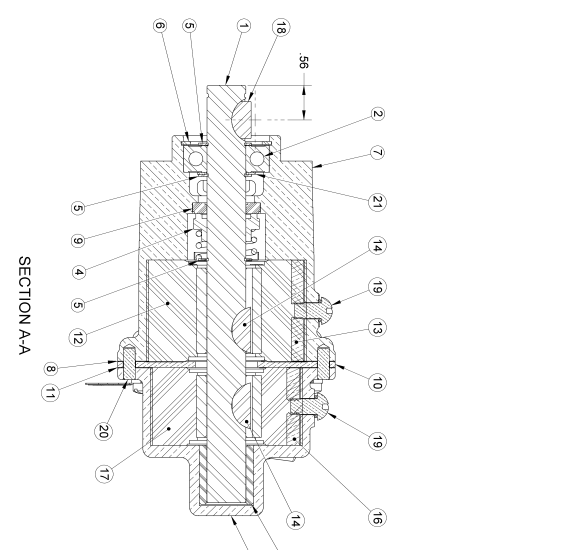
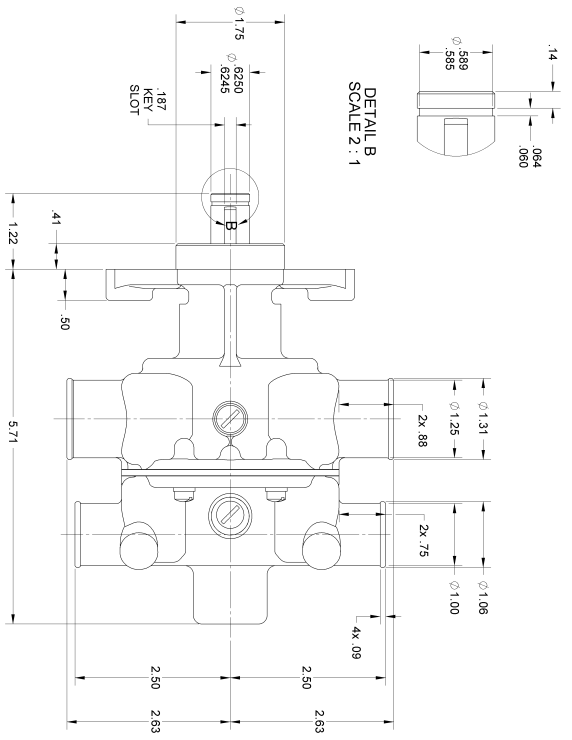


| ITEM NO. | PART NUMBER | DESCRIPTION | QTY. |
|----------|-------------|-----------------------|------|
| 1 | 11490 | SHAFT | 1 |
| 2 | 11491 | SHAFT SEALING | 1 |
| 3 | 10611C | IMPELLER PUMP COVER | 1 |
| 4 | 18743 | MECH SEAL - TYPE 21 | 1 |
| 5 | 04258 | EXT RETAINING RING | 3 |
| 6 | 04259 | IMPELLER PUMP ROD | 1 |
| 7 | 10612 | GASKET - VELLUMOID | 1 |
| 8 | 10926 | SEAL SEAT | 1 |
| 9 | 10625 | SPACER PLATE | 1 |
| 10 | 10619 | RUBBER IMPELLER | 1 |
| 11 | 10615 | RUBBER IMPELLER | 1 |
| 12 | 10944 | CAM | 2 |
| 13 | 10944 | WOODRUFF KEY | 2 |
| 14 | 04432 | BUSHING - BRASS/WHITE | 1 |
| 15 | 09333 | CAM | 1 |
| 16 | 11833 | WOODRUFF KEY | 1 |
| 17 | 09959 | RUBBER IMPELLER | 1 |
| 18 | 11515 | CAM SCREW/KEY | 1 |
| 19 | 10519C | #9 WOODRUFF KEY | 2 |
| 20 | 11459 | SHOULDER WASHER | 1 |
| 21 | 00343 | LOCK WASHER | 6 |
| 22 | 05771 | 10-24 X .587 MOH SCR | 1 |
| 23 | 05771 | 10-24 X .587 MOH SCR | 1 |
| 24 | 23035 | LABEL | 1 |
| 25 | 23035 | LABEL | 1 |

- NOTES
1. APPLY BEAD OF PERMATEX AROUND THREADED HOLES IN CAMS (ITEMS 13, & 16).
 2. USE PACEASE OR EQUIV WHEN INSTALLING WATER SEAL (ITEM 4).
 3. USE COOLANT TO AID IN INSTALLATION OF RUBBER IMPELLERS (ITEMS 12, & 17).
 4. PRESSURE TEST TO 20 - 30 PSI.
 5. PRINT D55, AND DATE CODE ON LABEL (ITEM 25).



| REV. | EN. | DATE | DESCRIPTION | APPROVED | DATE |
|------|-----|------------|-------------------------|----------|------|
| 1 | | 12/15/2007 | ADDITIONAL AND REVISION | | |

| | | | |
|--|--|---|--|
| SHERWOOD A Division of Ingersoll Rand 30750 Main Street, New Bedford, MA 01912 (508) 464-0000 FAX: (508) 464-0001 | | DWG BY: JAC APPROVED BY: JAC DATE: 02/20/1998 | |
| DIMENSIONS BASED ON MODEL Y14.004.004 900 TROT SCALE PRINT THIS DRAWING IS THE PROPERTY OF INGEROLL RAND AND IS TO BE USED ONLY FOR THE PROJECT AND DATE SPECIFIED. ANY REUSE OR MODIFICATION OF THIS DRAWING WITHOUT THE WRITTEN PERMISSION OF INGEROLL RAND IS PROHIBITED. | | SHEET NUMBER: 11 TOTAL SHEETS: 11 PART NUMBER: 11490 PART NAME: IMPELLER PUMP ASSY | |
| D55 | | REV: K | |