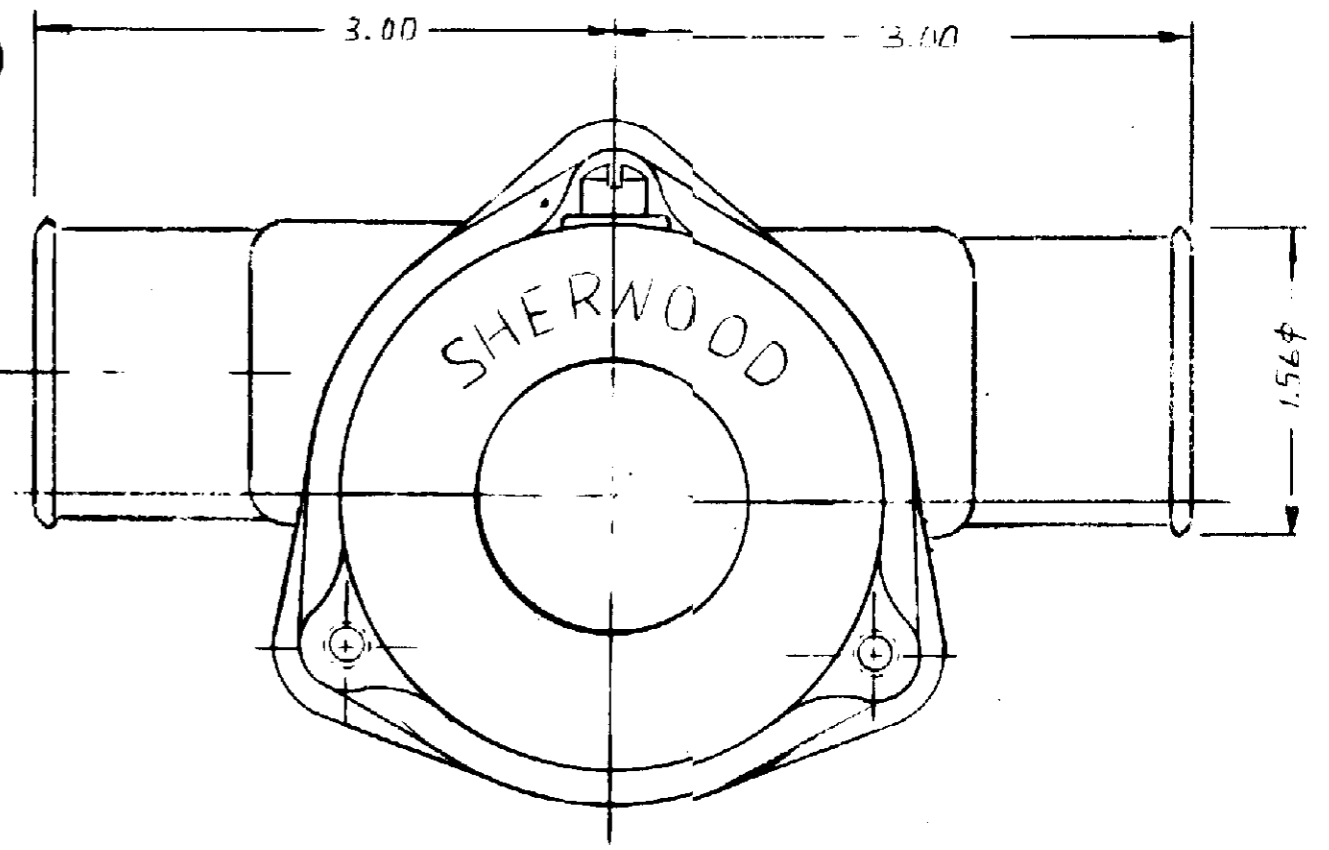
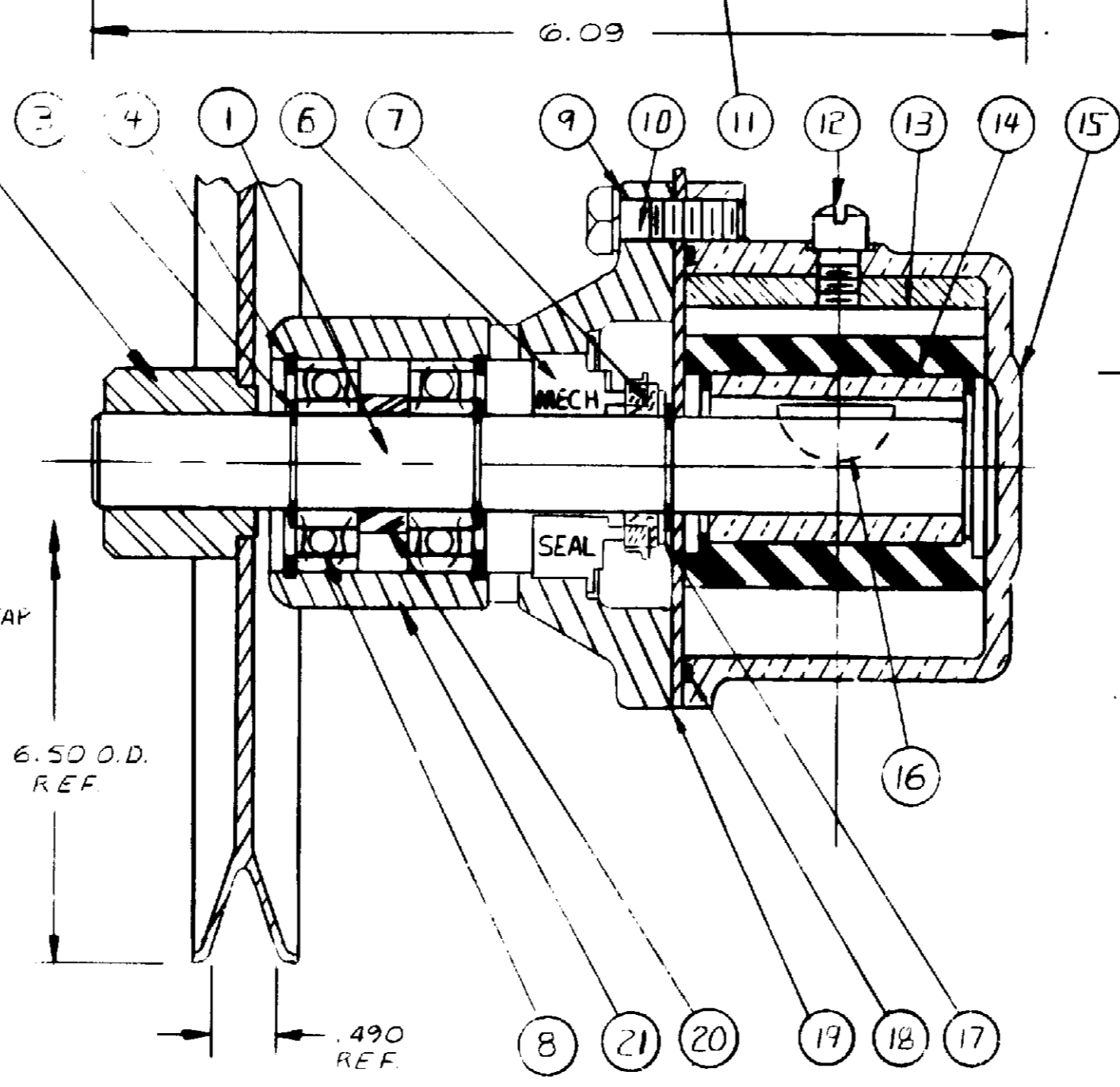
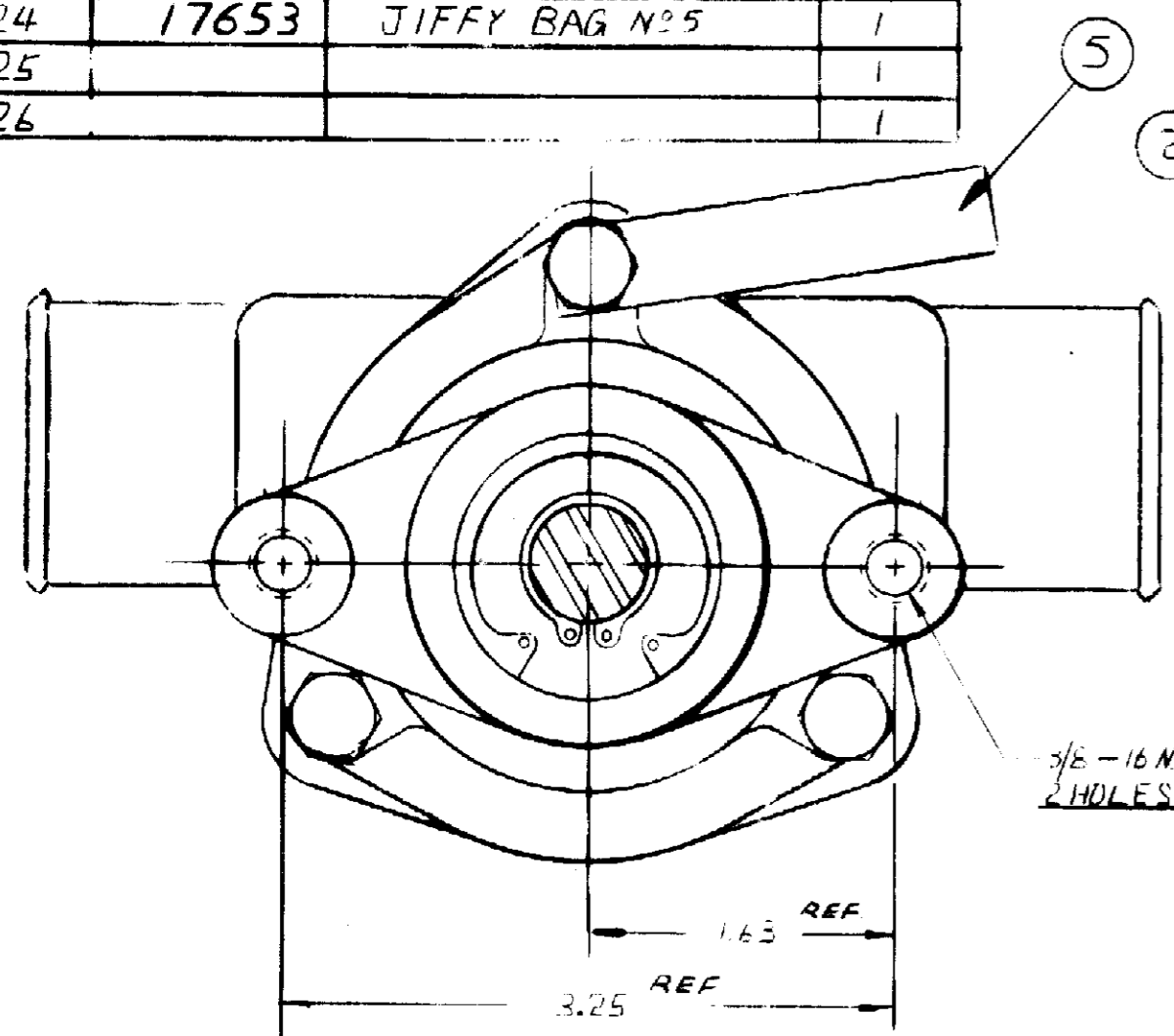
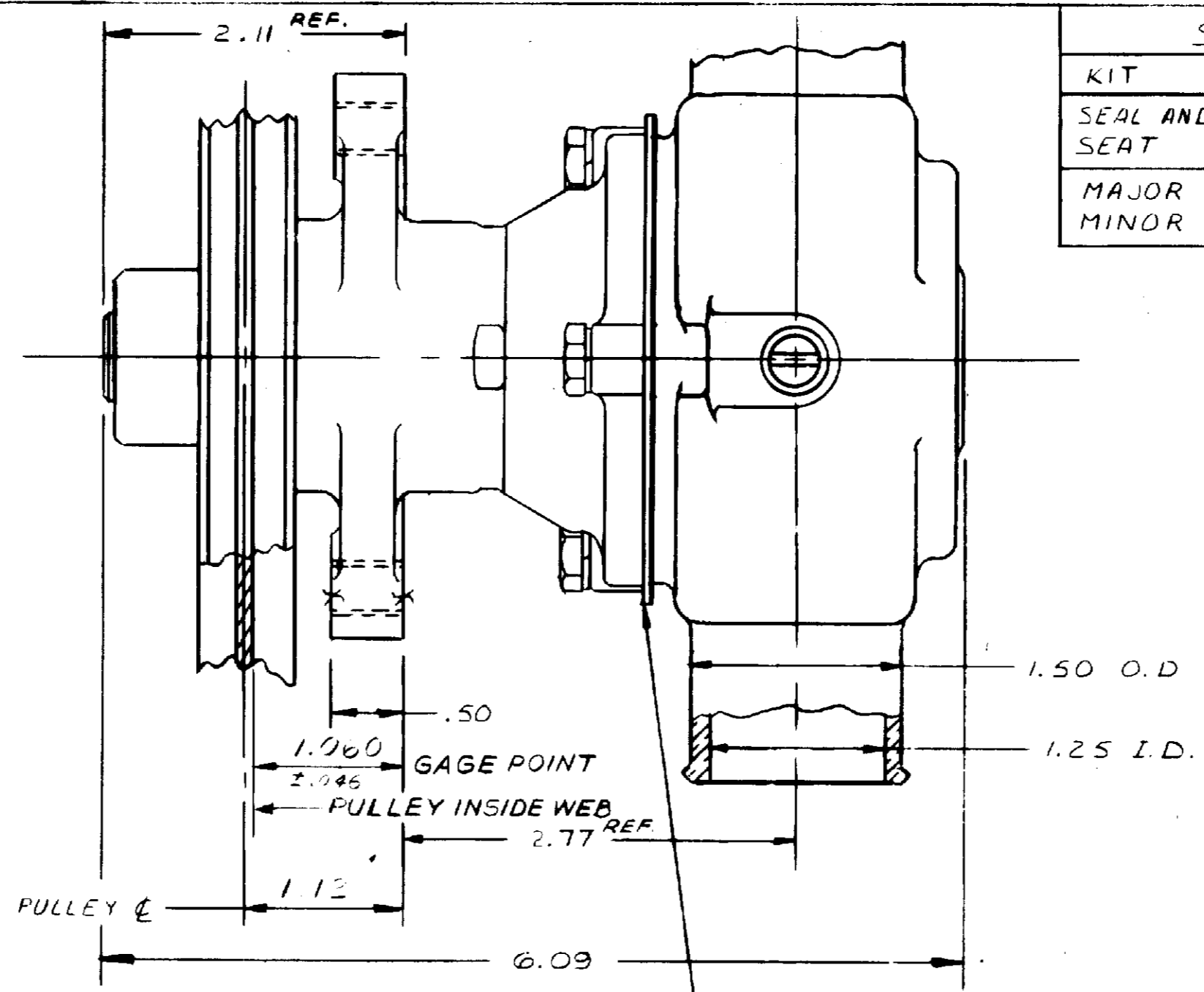


PARTS LIST

ITEM	PART NO.	DESCRIPTION	REQ'D
1	19570	SHAFT	1
2	15055	PULLEY ASSEMBLY	1
3	4258	RET. RING EXT.	3
4	4259	RET. RING INT.	2
5	13285	TAG	1
6	12314	MECH SEAL	1
7	12256	SEAL SEAT	1
8	12211	BALL BEARING	2
9	12710	1/4 LIGHT LCK. WASHER	3
10	12857	CAPSCREW 1/4-20X7/8	3
11	12856	END PLATE	1
12	10515	SCREW 1/4-20X3/8	1
13	18314	CAM (230)	1
14	15000	IMPELLER	1
15	17684	HOUSING	1
16	4432	N#9 WOODRUFF KEY	1
17	4264	THRUST WASHER	1
18	12231	O RING	1
19	12855	GASKET	1
20	5133	SPACER BRG	1
21	12227	BODY	1
22	17659	CARTON	1
23	12209	LABEL	1
24	17653	JIFFY BAG N#5	1
25			1
26			1

G151

SERVICE KIT		
KIT	PART NO	ITEM NOS
SEAL AND SEAT	12859	6 (I) & 7 (I)
MAJOR REPAIR KIT #		
MINOR REPAIR KIT # 15979		



STAMP MODEL N. ; DATE CODE JN
N#13285 TAG AND ATTACH AS SHOWN

REV	DESCRIPTION	APP	DATE
A	WAS 18269 TO 18314	TLG	2-26-92

UNLESS OTHERWISE SPECIFIED
TOLERANCE TO BE
CAST DIMENSION ± .020
MACHINED DIMENSION
FRACTIONAL ± .010
DECIMAL ± .005
ANGLES ± 1/2°
MACHINED SURFACE ROUGHNESS
ALLOW 1/16 STOCK ON ALL FINISHED
SURFACES FOR MACHINING
BREAK ALL SHARP EDGES .010 MAX.
CAST. FILLETS AND RADII 1/16 R

SHERWOOD
A DIVISION OF HYPRO CORPORATION
4331 E. JEFFERSON AVE. - DETROIT, MICHIGAN 48217

DRAFTSMAN	DATE	CHECKER	DATE	PROJ. NO
KB	3-21-91	AVB	4/9/91	778

TITLE: RUBBER IMPELLER PUMP
MATERIAL: SEE DETAILS
DWG NO: G151