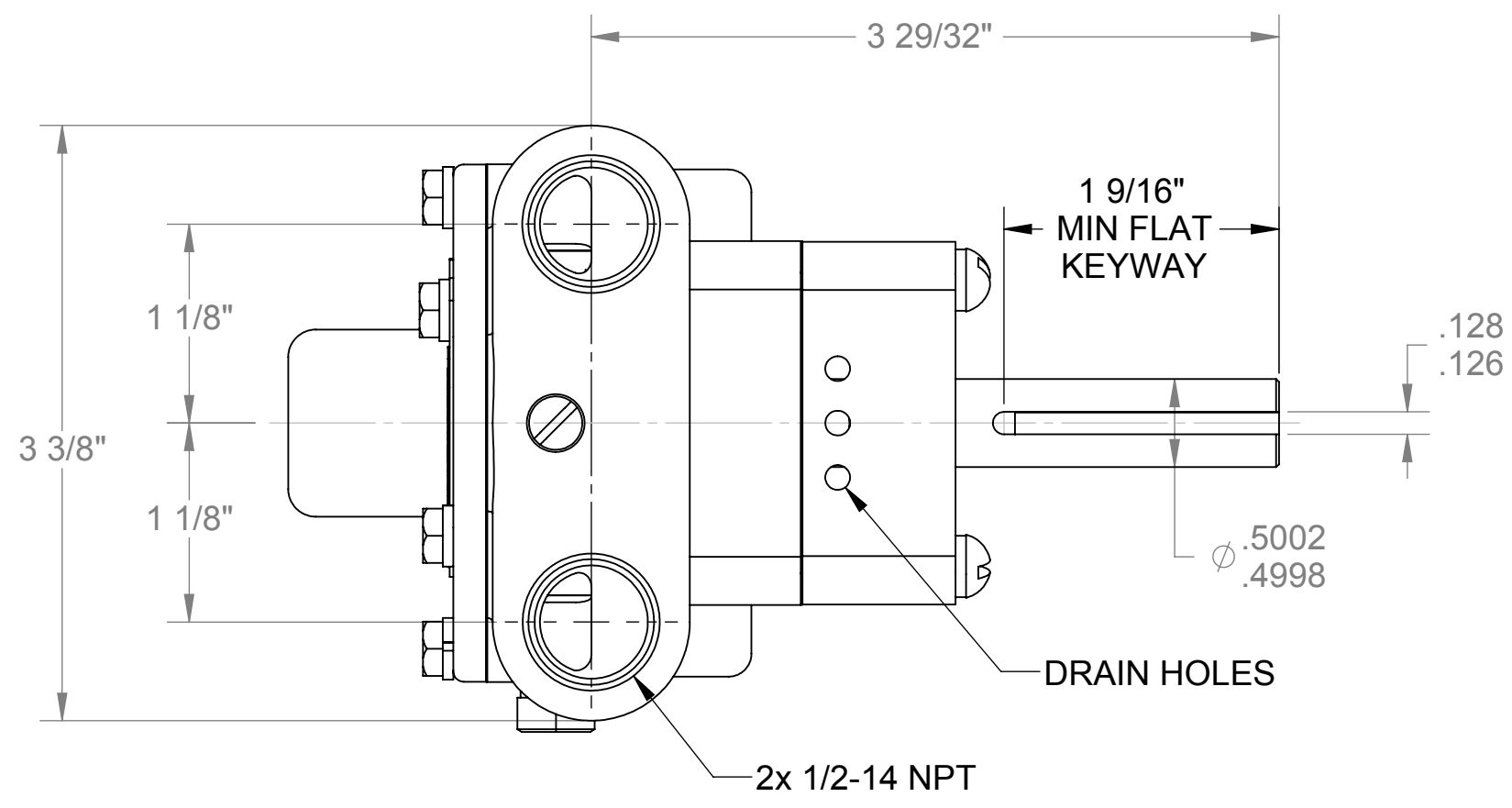
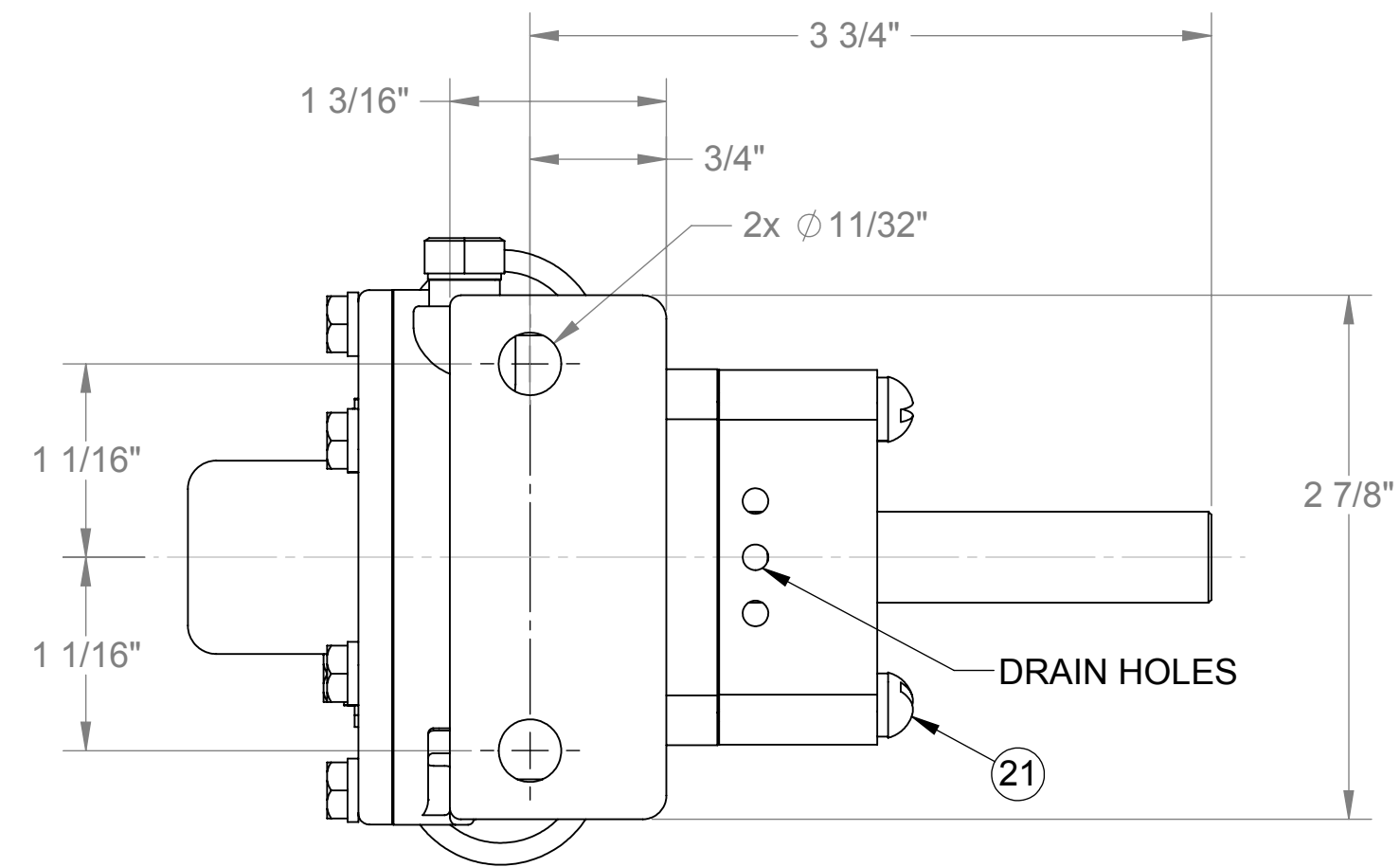
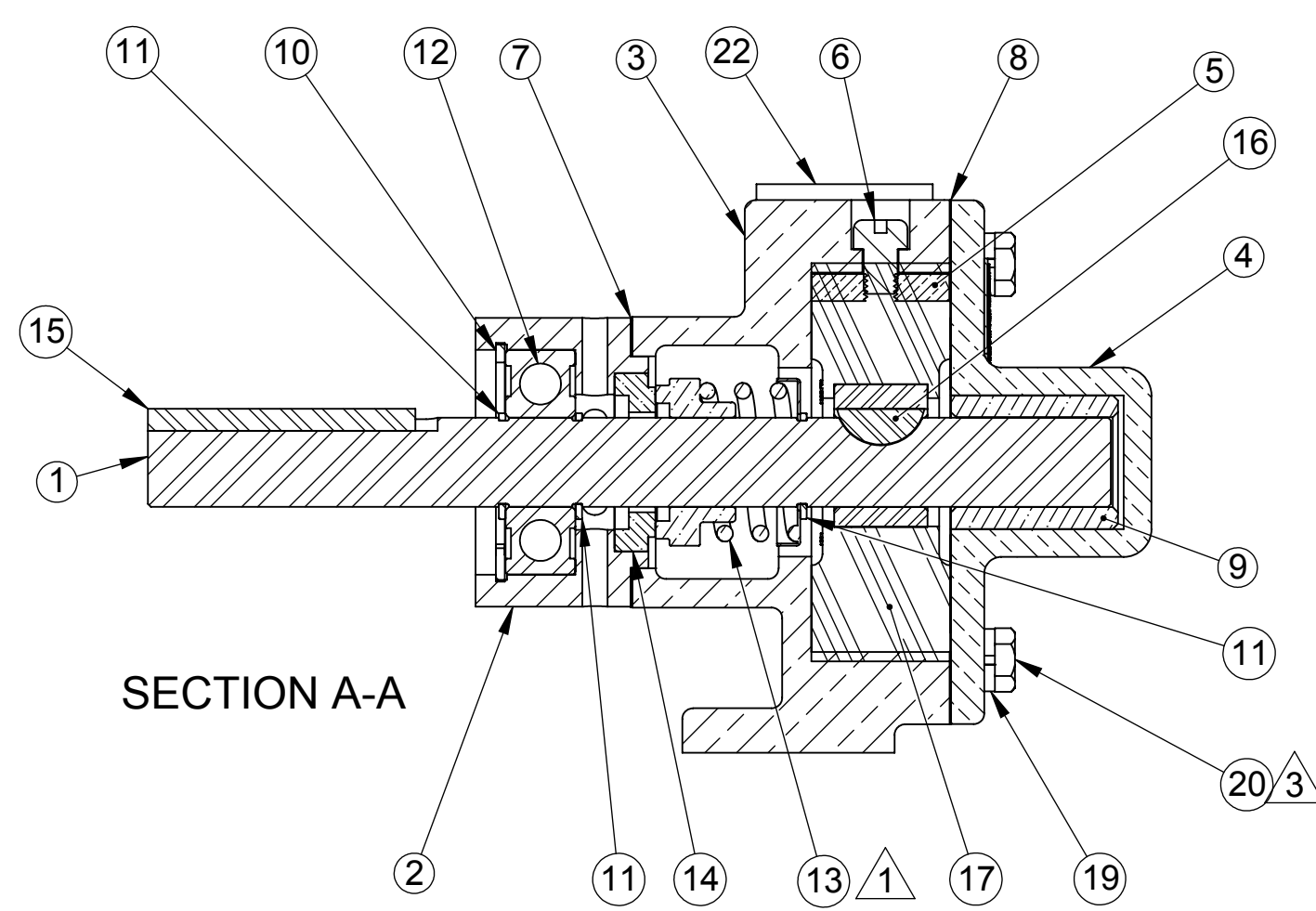
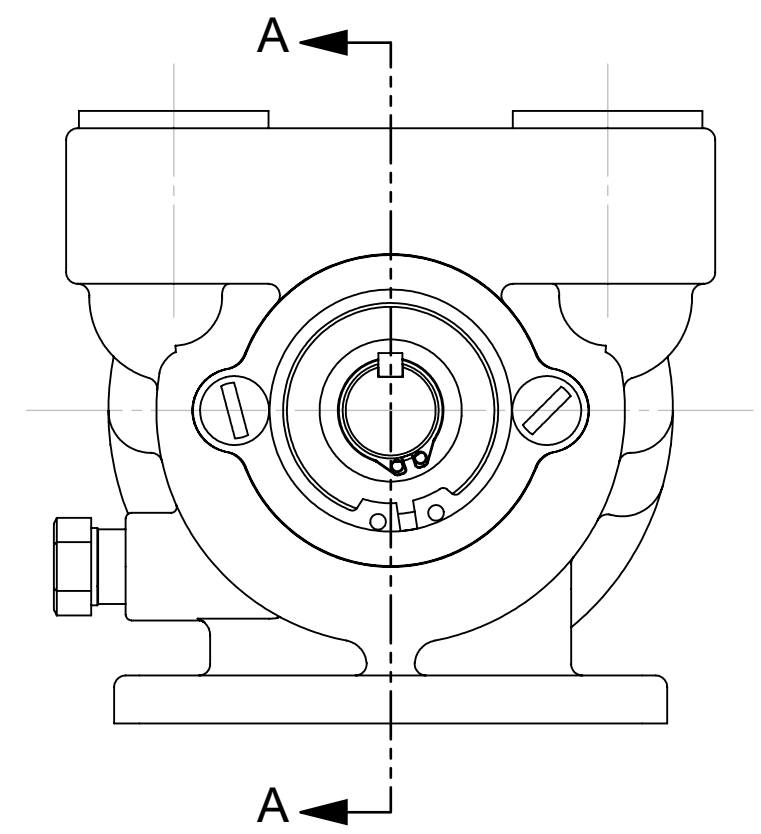
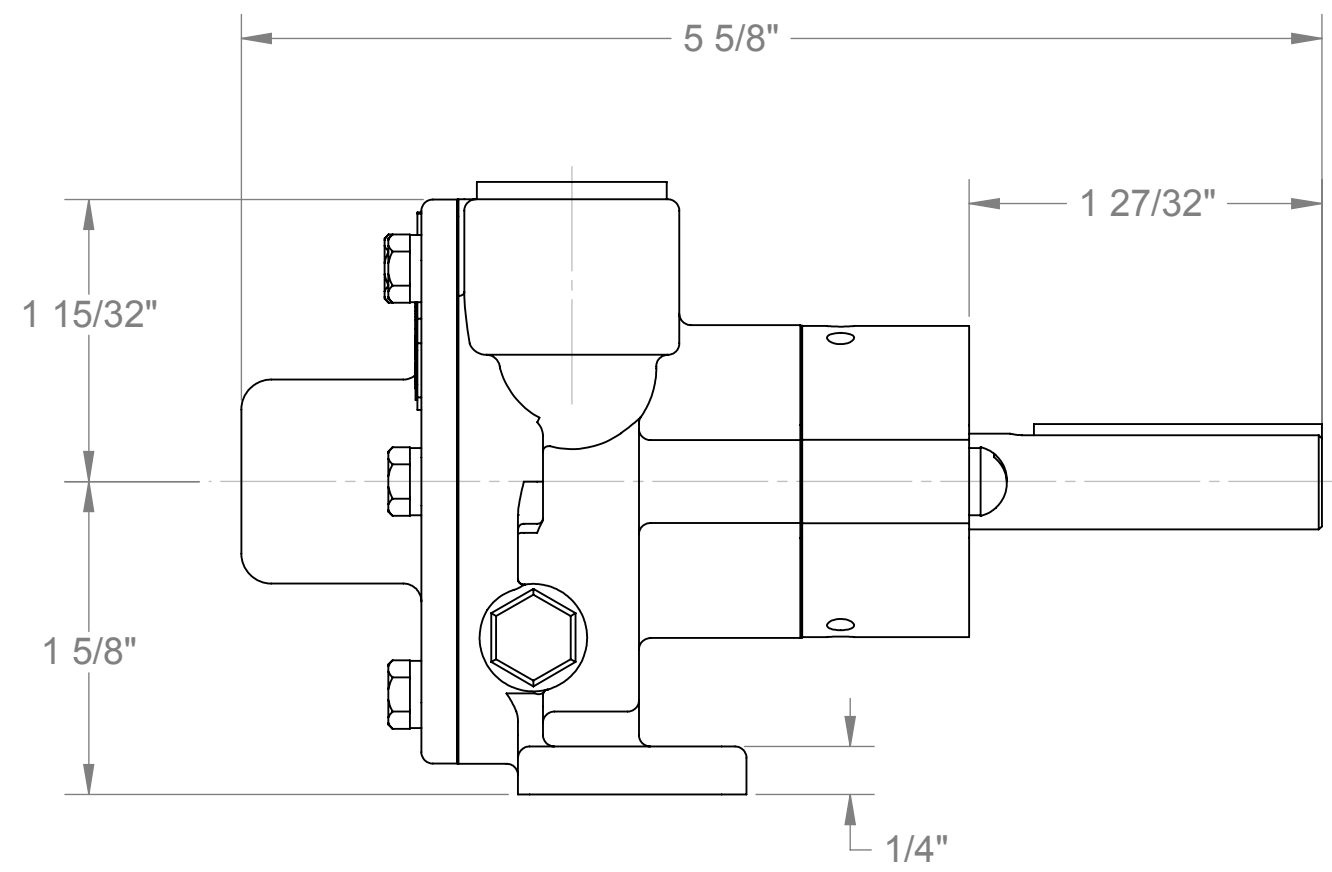
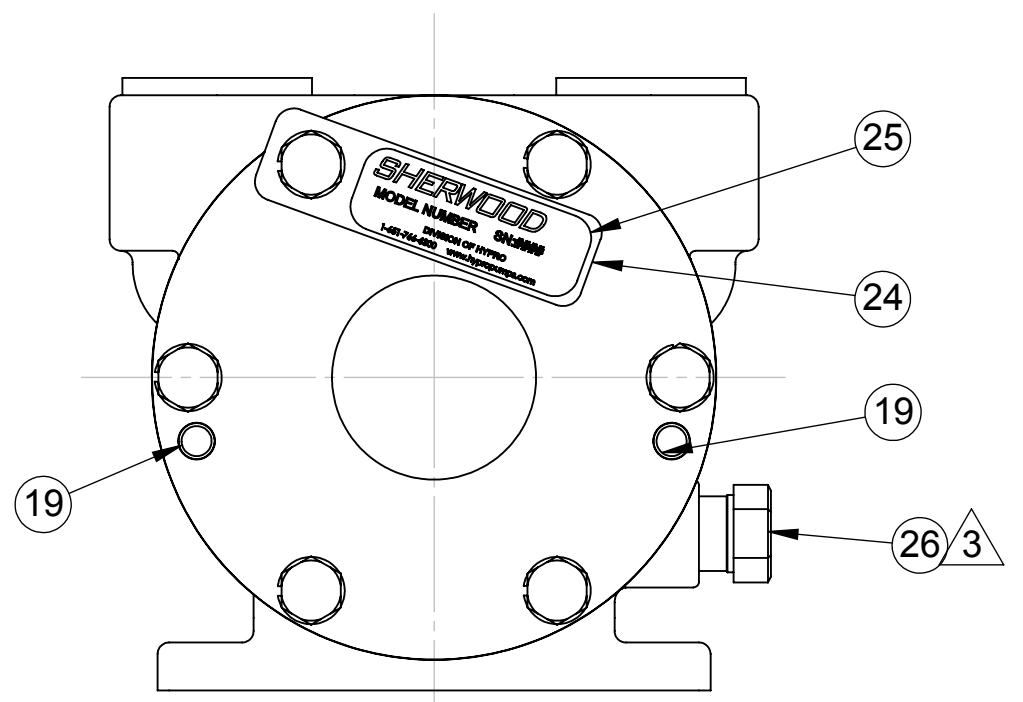


ITEM NO.	PART NUMBER	DESCRIPTION	QTY.
1	11854	SHAFT	1
2	15103	BODY	1
3	10596	HOUSING	1
4	10279	COVER	1
5	10285	CAM	1
6	10195	CAM SCREW 10-32NFT	1
7	10197	FIBRE GASKET	1
8	10286	FIBRE GASKET	1
9	02075	BUSHING - GRAPHITE	1
10	04303	RETAINING RING - INT	1
11	04304	RETAINING RING	3
12	04306	BALL BEARING	1
13	10522C	MECHANICAL SEAL TYPE 21	1
14	11361	SEAL SEAT	1
15	13370	KEY - SQUARE	1
16	10093	#304 KEY	1
17	10077	IMPELLER	1
18	01311	DOWEL PIN	2
19	00343	LOCK WASHER	8
20	18899	10-24NC HEX HEAD SCR.	6
21	05437	10-24NC MACH SCREW	2
22	18388	PLUG - PLASTIC	2
23	13285	TAG	1
24	23083	LABEL	1
25	00336	PLUG	1



- NOTES:
1. USE PAC-EASE, OR EQUIV. ON SHAFT TO ASSEMBLE MECHANICAL SEAL, ITEM 13.
 2. DO NOT USE SILICONE IN ASSEMBLY
 3. TIGHTEN COVER SCREWS, ITEM 20, BEFORE INSTALLING PLUG, ITEM 25.
 4. PRINT MODEL NUMBER AND DATE CODE ON TAG, ITEM 23.
 5. STATIC TEST TO 20 PSI.



SHERWOOD
 A Div. of Hypro Corporation A PENTAIR COMPANY
 375 Fifth Avenue NW, New Brighton, MN 55112, (651) 766-6300

REPLACES PART NO. _____ REV. _____

DWG BY: _____ RI DATE: 8/2/1979

CHECKED BY: RBM DATE: 8/3/1979

APPROVED BY: _____ DATE: _____

THIS DRAWING IS THE PROPERTY OF HYPRO, AND WITHOUT WRITTEN AUTHORIZATION, MUST NOT BE COPIED OR COMMUNICATED

PART NUMBER **R30G-1** REV. **L**

DRAWING BASED ON ASME Y14.5M-1994 DO NOT SCALE PRINT SIZE C

SCALE SHEET NUMBER
 1:1 1 OF 1

THIRD ANGLE PROJECTION

REV.	ECN	DESCRIPTION	CHKD	DATE
L	6023	UPDATED BOM, ADD NOTES, REDRAWN	DV	11/27/2006

PART DESCRIPTION
RUBBER IMPELLER PUMP ASSY