

The background of the entire page is a scenic photograph of a white RV parked on a paved road that curves through a dense forest of tall evergreen trees. In the foreground, a calm lake reflects the surrounding greenery and the sky. The overall atmosphere is peaceful and natural.

SHURFLO[®] RV PRODUCT CATALOG INTERNATIONAL

RV PRODUCT GUIDE



SHURFLO®

THE RV INDUSTRY'S LEADING
WATER DELIVERY SYSTEM
SUPPLIER SINCE 1968.

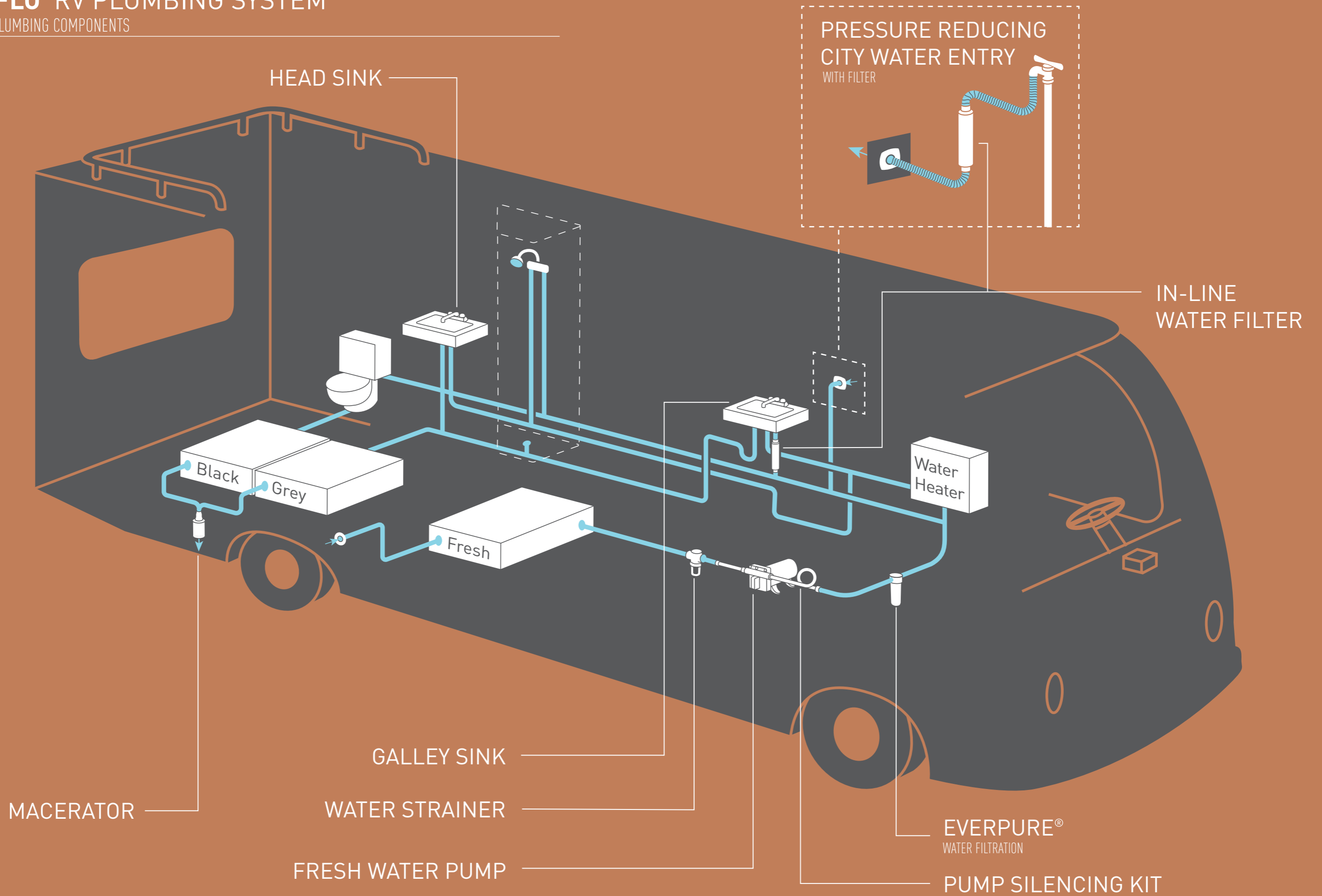


RV PRODUCTS TABLE OF CONTENTS

- 2 RV PLUMBING SYSTEM
- 4 FRESH WATER PUMPS
- 7 GENERAL PURPOSE PUMPS
- 8 WATER SYSTEM ACCESSORIES
- 9 FILTRATION
- 11 PUMP FITTINGS
- 12 PUMP REPAIR & REBUILD KITS
- 16 INSTALLATION GUIDES
- 17 MAINTENANCE TIPS

SHURFLO® RV PLUMBING SYSTEM

ALL MAJOR PLUMBING COMPONENTS



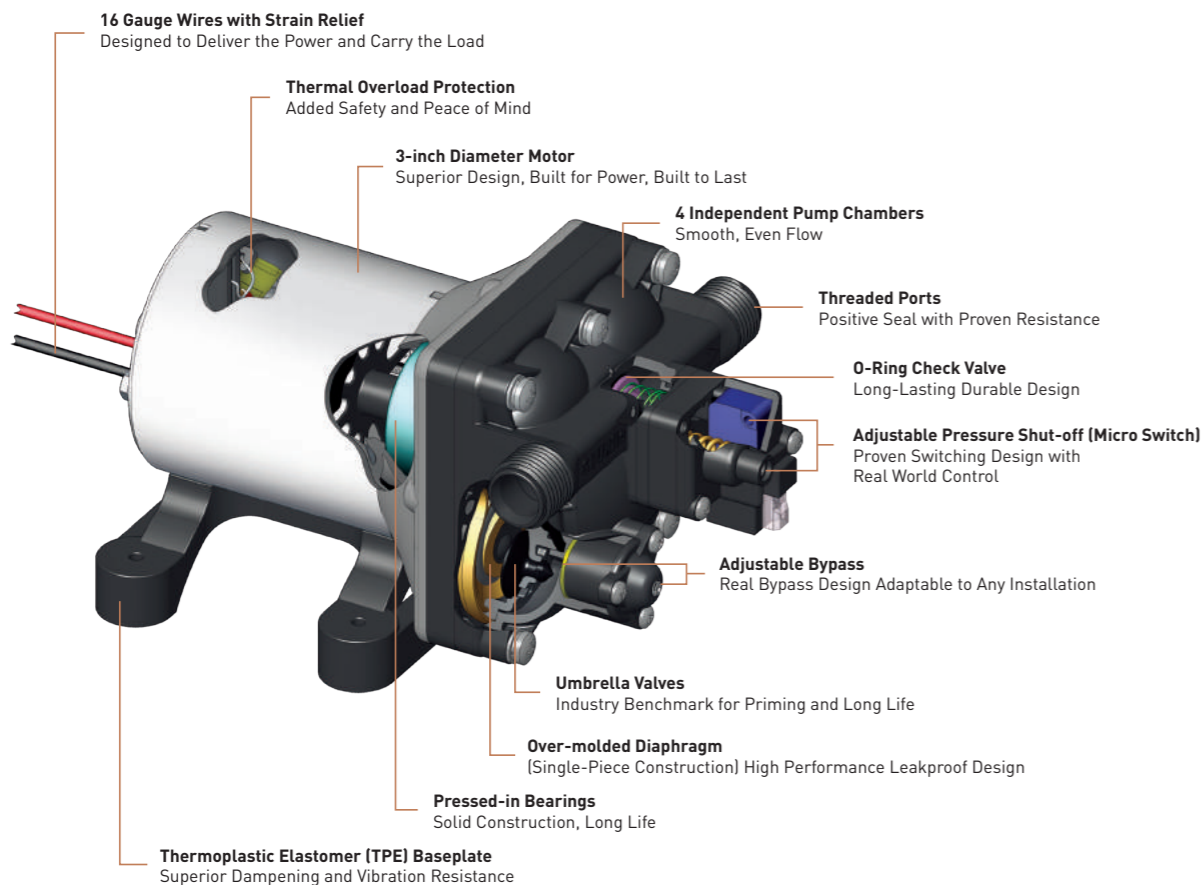
FRESH WATER PUMPS

4029 / 4009 SERIES PUMPS

Name	Model # OEM/Aftermarket	Voltage	Dimension	Flow Rate	Amps (Max.)	Shut-Off Pressure
4029	4029-181-A32 (4029-181-B32)	12 VDC	8.1" x 4.9" x 4.3" (206 x 125 x 110mm)	2.0 GPM (7.6 LPM)	2.8	20 PSI* (1.4 BAR)
	4029-181-A43 (4029-181-B43)	12 VDC	8.1" x 4.9" x 4.3" (206 x 125 x 110mm)	2.0 GPM (7.6 LPM)	3.0	25 PSI* (1.7 BAR)
	4029-181-A54 (4029-181-B54)	12 VDC	8.1" x 4.9" x 4.3" (206 x 125 x 110mm)	2.0 GPM (7.6 LPM)	3.2	30 PSI* (2.0 BAR)
	4029-110-A02 (4029-110-B02)	12 VDC	8.9" x 4.9" x 4.2" (225 x 125 x 106mm)	2.2 GPM (8.3 LPM)	2.8	20 PSI (1.4 BAR)
	4029-110-A03 (4029-110-B03)	12 VDC	8.1" x 4.9" x 4.3" (206 x 125 x 110mm)	2.2 GPM (8.3 LPM)	3.0	25 PSI (1.7 BAR)
	4029-110-A04 (4029-110-B04)	12 VDC	8.1" x 4.9" x 4.3" (206 x 125 x 110mm)	2.2 GPM (8.3 LPM)	3.2	30 PSI (2.0 BAR)
4009	4009-101-A32 (4009-101-B32)	12 VDC	8.1" x 4.9" x 4.3" (206 x 125 x 110mm)	3.0 GPM (11.3 LPM)	4.2	20 PSI* (1.4 BAR)
	4009-101-A54 (4009-101-B54)	12 VDC	8.1" x 4.9" x 4.3" (206 x 125 x 110mm)	3.0 GPM (11.3 LPM)	4.5	30 PSI* (2.0 BAR)
	4009-101-A87 (4009-101-B87)	12 VDC	8.1" x 4.9" x 4.3" (206 x 125 x 110mm)	3.0 GPM (11.3 LPM)	5.3	45 PSI* (3.1 BAR)
	4009-101-A65	12 VDC	8.1" x 4.9" x 4.3" (206 x 125 x 110mm)	3.0 GPM (11.3 LPM)	4.5	55 PSI* (3.8 BAR)
	4009-131-A54 (4009-131-B54)	24 VDC	8.1" x 4.9" x 4.3" (206 x 125 x 110mm)	3.0 GPM (11.3 LPM)	2.9	30 PSI* (2.0 BAR)
	4009-131-A26	24 VDC	8.1" x 4.9" x 4.3" (206 x 125 x 110mm)	3.0 GPM (11.3 LPM)	2.9	40 PSI* (2.7 BAR)

*With By-Pass

Shurflo's new 40X9 fresh water pump design was created with a unique one-piece diaphragm and internal by-pass (on applicable models), assuring long life and top performance in all plumbing systems. Designed as the next legendary pump to exceed the expectations of our customers, the 40X9 pump is constructed for high flow demand, low noise and no rapid cycling. Shurflo's quality reputation has been built on the reliability and dependability of every pump we build. The 40X9 fresh water automatic demand pump is super quiet, thermally protected and can run dry without damage.

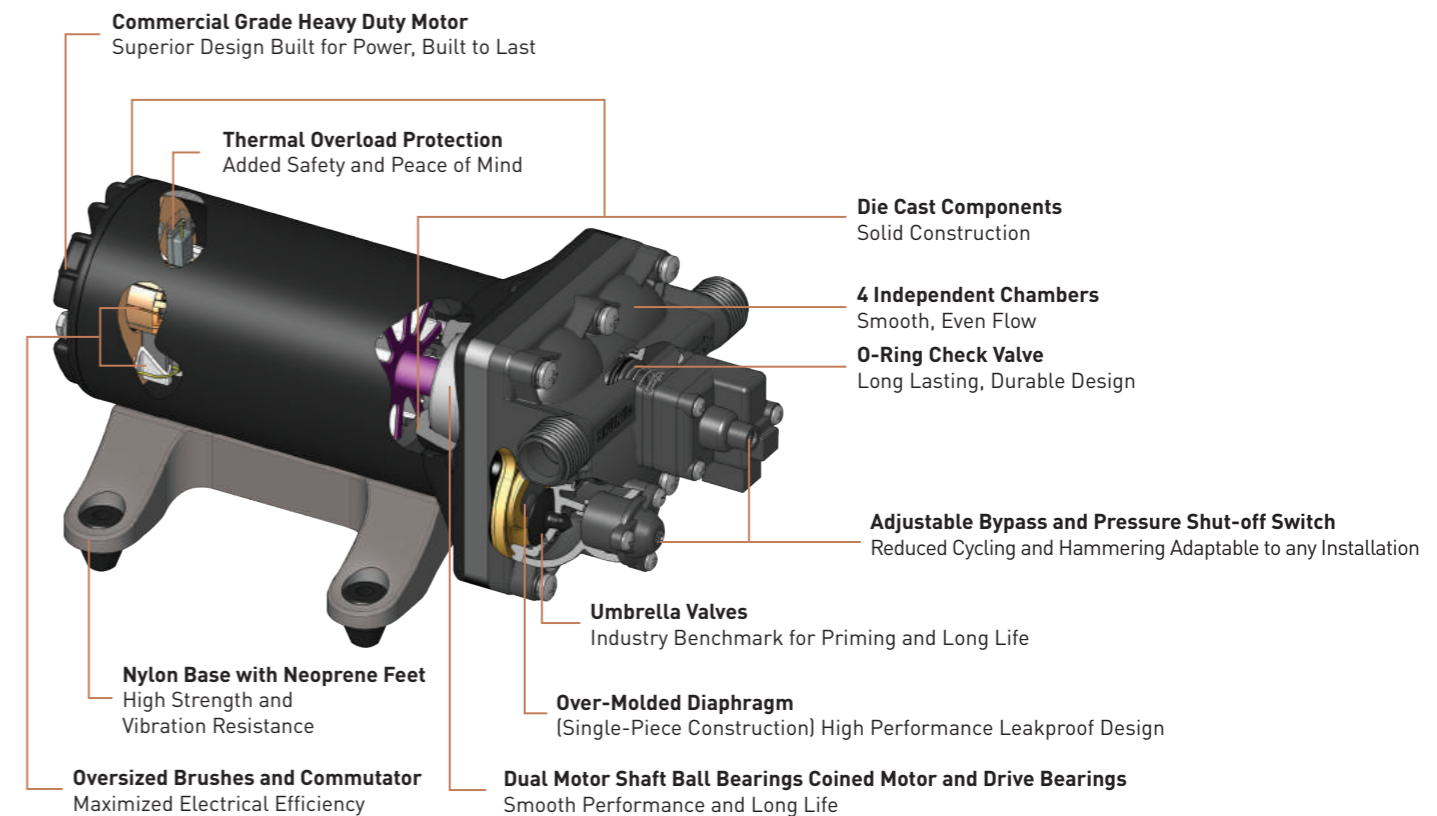


4049 HIGH FLOW PUMP

Name	Model # OEM/Aftermarket	Voltage	Dimension	Flow Rate	Amps (Max.)	Shut-Off Pressure
4049	4049-153-B86	12 VDC	10.3" x 4.9" x 4.8" (260 x 125 x 122 mm)	4 GPM (15.1 LPM)	10	40 PSI* (2.7 BAR)
4049	4049-153-B75	12 VDC	10.3" x 4.9" x 4.8" (260 x 125 x 122 mm)	4 GPM (15.1 LPM)	10	55 PSI* (3.8 BAR)

*With By-Pass

Being the next pump in the by-pass Flow Reaction Technology Series, this pump has a unique one-piece diaphragm and internal by-pass to assure smooth flow, long life and top performance in any plumbing system. Designed and built for high flow, low noise, smooth flow with no rapid cycling and Shurflo reliability, this fresh water demand pump is quiet and can run dry without damage. Mounts in any position. This pump is designed to replace both the 4900 and 5900 Smart Sensor series products.



FRESH WATER PUMPS

CLASSIC™ SERIES MULTI-FIXTURE AUTOMATIC DEMAND PUMPS



CE

Name	Model # OEM/Aftermarket	Voltage	Dimension	Flow Rate	Amps (Max.)	Shut-Off Pressure
Trail King™ 7 Pump (A)	2095-204-112 2095-204-412	12 VDC	7.75" x 5" x 4.45" (197 x 127 x 113mm)	1.8 GPM (7.0 LPM)	3.5	20 PSI (1.4 BAR)
Trail King™ 7 Pump (A)	2095-204-113 2095-204-413	12 VDC	7.75" x 5" x 4.45" (197 x 127 x 113mm)	1.8 GPM (7.0 LPM)	3.7	30 PSI (2.0 BAR)
Trail King™ 10 Pump (A)	2095-403-143 2095-403-443	12 VDC	7.75" x 5" x 4.45" (197 x 127 x 113mm)	2.6 GPM (10 LPM)	4.6	30 PSI (2.0 BAR)
Trail King™ 10 Pump (A)	2095-403-144 2095-403-444	12 VDC	7.75" x 5" x 4.45" (197 x 127 x 113mm)	2.6 GPM (10 LPM)	3.1	45 PSI (3.1 BAR)
Trail King™ 10 Pump (A)	2095-473-143 2095-473-443	24 VDC	7.75" x 5" x 4.45" (197 x 127 x 113mm)	2.6 GPM (10 LPM)	2.5	30 PSI (2.0 BAR)
Trail King™ 10 Pump (A)	2095-473-144	24 VDC	7.75" x 5" x 4.45" (197 x 127 x 113mm)	2.6 GPM (10 LPM)	2.5	40 PSI (2.7 BAR)
Trail King™ 10 Pump (A)	2095-292-114 2095-292-414	230 VAC	7.75" x 5" x 4.45" (197 x 127 x 113mm)	2.6 GPM (10 LPM)	0.5	45 PSI (3.1 BAR)
Whisper King™ Classic Pump (B)	2095-243-444	12 VDC	7.75" x 5" x 4.45" (197 x 127 x 113mm)	2.6 GPM (10 LPM)	4.5	45 PSI (3.1 BAR)

These legendary pumps have set the standard for the RV Industry. Shurflo's 2095 pumps are equipped to deliver high performance and reliability every time they are used. Shurflo's potable water pumps operate three independent pumping chambers which allow the pump to self-prime and lift water up to 8 feet (2.44m). With smooth flow and uninterrupted operation, the Classic™ Series pump include a built-in check valve to prevent back flow into the tank. Each pump features an adjustable switch and has the capability to run dry without damage to the pump or motor.

SLV SINGLE FIXTURE AUTOMATIC DEMAND PUMP



CE

Name	Model # OEM/Aftermarket	Voltage	Dimension	Flow Rate	Amps (Max.)	Shut-Off Pressure
SLV	105-013	12 VDC	6.8" x 3.9" x 2.5" (170 x 100 x 60mm)	1.0 GPM (3.8 LPM)	2.5	30 PSI (2.0 BAR)

This compact automatic demand fresh water pump offers durability and dependability making it ideal for low volume, intermittent duty applications. The 105 pump self-primers up to 2.5' (.762m) vertical feet while delivering 1.0 GPM (3.8 LPM). A 12 volt low power consumption motor, equipped with thermal protection and long life pressure switch rated to 30 PSI (2.0 BAR), provides high pump performance and reliability.

GENERAL PURPOSE PUMPS

MACERATOR PUMPS

Name	Model # OEM/(Aftermarket)	Voltage	Dimension	Flow Rate	Amps (Max.)	Port Size
Macerator	3200-200 (3200-201)	12 VDC	10.6" x 4.9" x 3.8" (269 x 125 x 97mm)	10 GPM (37 LPM)	15	Inlet 1-1/2" Barb/1-1/2" NPT Outlet 1" Barb



CE

Shurflo's Macerator is designed to accommodate the need for a reliable, high performance waste evacuation pump. This pump incorporates a high quality motor with a new seamless shell design that is thermally protected. The unique features of the Macerator include a premium impeller design with run dry capability, a dual blade and housing construction for problem free operation.

STANDARD & PREMIUM GENERAL PURPOSE PUMPS

Name	Model # OEM/(Aftermarket)	Voltage	Dimension	Flow Rate	Amps (Max.)	Port Size
Utility Pump Standard (A)	8050-305-526	12 VDC	6.1" x 4.4" x 3.7" (155 x 112 x 94mm)	1.5 GPM (5.6 LPM)	4	3/8" NPT-F
Utility Pump Premium (B)	8050-305-626	12 VDC	7.5" x 4.4" x 3.7" (190 x 112 x 94mm)	1.5 GPM (5.6 LPM)	4	3/8" NPT-F
Drill Pump (C)	3010-000	-	1/4" (6mm) Drill Shaft - Flexible BUNA Impeller, 8' (2.4m) Prime, Uses: Oil Change and Liquid Transfers	200 GPH (757 LPH)	-	3/4" GSH-M



A



B



C

CE

Incorporating Shurflo's advanced motor technology that includes thermal overload protection, these standard general purpose pumps are self-priming, easy to install and extremely versatile; perfect for a variety of uses including winterizing, oil changing and liquid transfer. Premium model includes 8' (2.44m) cable with battery clips.

OIL CHANGE / WINTERIZING SYSTEM

Name	Model # OEM/(Aftermarket)	Voltage	Dimension	Flow Rate	Amps (Max.)	Port Size
Oil Change System	8050-305-426	12 VDC	16" H x 12.5" D (406 x 318mm)	1.5 GPM (5.6 LPM)	4	3/8" NPT-F



CE

Incorporating Shurflo's advanced motor technology that includes thermal overload protection, this Oil Change/Winterizing System is self-priming, easy to install and extremely versatile; perfect for a variety of uses including winterizing, oil changing and liquid transfer. System includes premium pump with 8' (2.44m) cables, battery clips, hose kit and 3.5 gallon (13.25 l) storage bucket.

WATER SYSTEM ACCESSORIES

WATER STRAINERS

Name	Model # OEM/(Aftermarket)	Description	Designation
Twist-on Water Strainer (A)	255-223 (255-323)	Easy Assembly. Keeps Debris Out of Pump. Easy to See When Strainer Needs Cleaning. 50 Mesh Stainless Steel Screen	1/2" (13mm) Barb Inlet
Twist-on Water Strainer (B)	255-213 (255-313)	Easy Assembly. Keeps Debris Out of Pump. Easy to See When Strainer Needs Cleaning. 50 Mesh Stainless Steel Screen	1/2" (13mm) Pipe Inlet
Swivel Nut Water Strainer	255-215 (255-315)	Easy Assembly. Keeps Debris Out of Pump. Easy to See When Strainer Needs Cleaning. 50 Mesh Stainless Steel Screen	1/2" (13mm) Pipe Inlet
Barb Inlet Strainer	255-222 (255-322)	Easy Assembly. Keeps Debris Out of Pump. Easy to See When Strainer Needs Cleaning. 50 Mesh Stainless Steel Screen	1/2" (13mm) Barb Inlet
Swivel Nut Water Strainer	255-225 (255-325)	Easy Assembly. Keeps Debris Out of Pump. Easy to See When Strainer Needs Cleaning. 50 Mesh Stainless Steel Screen	1/2" (13mm) Barb Inlet
In-Line Check Valve (C)	340-000 340-001	Allows Flow in One Direction Only to Safeguard Against Backsurge up to 100 PSI (6.8 BAR)	1/2" (13mm) Barb
High Pressure Blaster Nozzle (D)	15-010 94-010-00	High Impact Plastic for Long Life, Use with Shurflo Pumps or Garden Hose, Adjusts to Fine Mist or Full Stream, Lock Clip for Continuous Spray	3/4" (13mm) Barb Garden Hose Thread
Self-Coiling Hose (E)	7-071-25	25' (7.6m), 3/8" (9.5mm) Diameter, White Coiled Hose	3/4" (19mm) Garden Hose Thread
Self-Coiling Hose (F)	7-137-25	25' (7.6m), 1/2" (13mm) Diameter, Blue Coiled Hose 3/4"	3/4" (19mm) Garden Hose Thread

Designed for safety and convenience, Shurflo accessories are built to last. Big protection from small, yet essential products.

1 Year Warranty

PRE-PRESSURIZED ACCUMULATOR TANKS

Name	Model #OEM/ (Aftermarket)	Ports	Dimensions	Total Volume	Max. PSI	Pre-Charged
24 oz. Nylon Tank (A)	182-100 (182-200)	1/2" (13mm) NPSM-Male	9.1" x 4.8" x 3.8" (232 x 121 x 97 mm)	24 oz. (710 ml)	125 PSI (8.8 BAR)	30 PSI (2.0 BAR)
24 oz. Nylon Tank	182-102 (182-202)	1/2" (13mm) NPSM-Male	9.1" x 4.8" x 3.8" (232 x 121 x 97 mm)	24 oz. (710 ml)	125 PSI (8.8 BAR)	20 PSI (1.4 BAR)
2 Gallon Stainless Steel Tank (B)	3400-002 (3400-002)	1/2" (13mm) NPT-Male	12" H x 9" D (23cm H x 10cm D)	2 Gal. (8.0 L)	100 PSI (7 BAR)	20 PSI (1.4 BAR)

Specifically designed to be installed downstream of your pump, these tanks help reduce unwanted cycling, pulsation and pressure spikes, while helping to prolong pump life and save battery power. Shurflo accumulator tanks use a patented domed displacement diaphragm to minimize noise and power usage. These accumulators are available in both a 24 oz. (710ml) nylon tank as well as a 2-gallon (8.0L) stainless steel tank, helping to accommodate any space constraints in your RV.

PRESSURE REDUCING CITY WATER ENTRIES

Name	Model # OEM/(Aftermarket)	Model # OEM/(Aftermarket)	Color
	50 PSI MODEL	65 PSI Model	
Wall Mount (A)	183-020-04 (183-029-04)	183-020-14 (183-029-14)	Chrome
Wall Mount (B)	183-020-06 (183-029-06)	183-020-16 (183-029-16)	Black
Wall Mount (C)	183-020-08 (183-029-08)	183-020-18 (183-029-18)	Gel White
In-Line (D)	[183-039-08]	N/A	Gel White

The Shurflo exclusive diaphragm design prevents high-pressure damage often caused by city water systems. These high performance water entries limit water pressure and they include a check valve. 3/4" (19mm) GSH Female swivel inlet. 1/2" (13mm) NPSM - Male Outlet



FILTRATION

PENTAIR® CFBC-10 10" CARTRIDGE

Name	Model #	Cartridge Media	Taste & Chlorine	Lead	Cyst †	THM's VOC's	Pesticides	Micron Rating ‡
10" Cartridge	255679-43	Modified Carbon Block	•		•	•	•	0.5

Low pressure drop in a long life cellulose-free synthetic fiber matrix.

*Based on Manufacturer's internal testing.

† Reduces cysts such as Cryptosporidium and Giardia by mechanical means.

‡ Reduces particles as small as 0.5 micron in size by mechanical means.



PENTAIR® CFB-PB10 10" CARTRIDGE

Name	Model #	Cartridge Media	Taste & Chlorine	Lead	Cyst †	THM's VOC's	Pesticides	Micron Rating ‡
10" Cartridge	255681-43	Modified Carbon Block	•	•	•	•	•	0.5

Added lead reduction in a low pressure drop, high flow, long life cellulose-free synthetic fiber matrix.

*Based on Manufacturer's internal testing.

† Reduces cysts such as Cryptosporidium and Giardia by mechanical means.

‡ Reduces particles as small as 0.5 micron in size by mechanical means.



FILTRATION CONTINUED

PENTAIR® IN-LINE WATER FILTERS

Model #	Cartridge Media	Description	Taste & Chlorine	Heavy Metals	THM's VOC's	Pesticides	Micron Rating	Fittings/Port Size and Accessories
RV-210GH-A City Water Entry In-Line Filter (A)	Activated Carbon	Long life triple-stage carbon in-line city water entry filter with 1/4" (6mm) Quick Connect ends	•		•	•	5	3/4" (19mm) Garden Hose Ports
RV-210GH-KDF-A City Water Entry In-Line Filter	KDF/Carbon	Long life, triple-stage carbon in-line city water entry filter with garden hose ends	•	•	•	•	5	3/4" (19mm) Garden Hose Ports
RV-210BRB-A 11" City Water Entry In-Line Filter	Activated Carbon	Long life, high quality quad-stage bacteriostatic KDF/carbon in-line city water entry filter with garden hose ends	•		•	•	5	1/2" (13mm) Barb Ports
94-009-50 10" In-Line Interior Filter (B)	KDF/Carbon	Long-life, high quality quad-stage bacteriostatic KDF/carbon in-line filter with fittings for every interior need	•	•	•	•	5	1/4" (6mm) NPT-F Both Ends, fittings included: 2 ea. 1/2" (13mm) MPT, 2 ea. Quick Connect & 2 ea. Colder Fittings



CE

COMPLETE AFTERMARKET FILTER SYSTEM COMPONENTS

Name	Model #	Includes	Description † ‡
Everpure® Filtration System w/ POP	EV925200	2 Complete EV925205 Systems with POP Display Carton (Not Shown)	Exclusive EVERPURE® filtration system, includes installation kit and super chlorination disinfection kit. Protects against bacteria, viruses and cysts down to 0.5 micron in size
Everpure® Complete Kit (A)	EV925205	EV959206 Filter, Housing, By-Pass, Installation Kit	Exclusive EVERPURE® filtration system, include installation kit and super chlorination disinfection kit. Protects against bacteria, viruses and cysts down to 0.5 micron in size

† Reduces cysts such as Cryptosporidium and Giardia by mechanical means.
‡ Reduces particles as small as 0.5 micron in size by mechanical means.

EVERPURE® FILTERS

Model # / Name	Cartridge Media	Description	Taste & Chlorine	Heavy Metals	Cyst †	THM's VOC's	Pesticides	Micron Rating ‡
EV959206 Everpure® Full-Timer (A)	Micro-Pure Pleated	Exclusive technology reduces 99.9% of all particles 0.5 micron in size	•		•	•		0.5
EV959207 Everpure® Part-Timer (B)	Carbon Block	Exclusive technology reduces 99.9% of all particles 0.5 micron in size, Twin-pack	•		•	•		0.5

† Reduces cysts such as Cryptosporidium and Giardia by mechanical means.
‡ Reduces particles as small as 0.5 micron in size by mechanical means.

PUMP FITTINGS

STRAIGHT FITTINGS

Model # Straight Fittings	Style	Material	Description
244-2916	Wingnut Swivel	Nylon	1/2" (13mm)-15 NPT (F) x 3/8" (10mm) Barb
244-2926 (A)	Wingnut Swivel	Nylon	1/2" (13mm)-14 NPT (F) x 1/2" (13mm) Barb
244-2936	Wingnut Swivel	Nylon	1/2" (13mm)-14 NPT (F) x 5/8" (16mm) Barb
244-2946	Wingnut Swivel	Nylon	1/2" (13mm)-14 NPT (F) x 3/4" (19mm) Barb
244-5146	Adapter	Nylon	1/2" (13mm) NPT (M) x 3/4" (19mm) Barb



CE

ELBOW FITTINGS

Model # Elbow Fittings	Style	Material	Description
244-3366	Wingnut Swivel	Nylon	1/2" (13mm)-14 NPT (F) x 1/2" (13mm)-14 NPT (M)
244-3916	Wingnut Swivel	Nylon	1/2" (13mm)-14 NPT (F) x 3/8" (10mm) Barb
244-3926 (A)	Wingnut Swivel	Nylon	1/2" (13mm)-14 NPT (F) x 1/2" (13mm) Barb
244-3936	Wingnut Swivel	Nylon	1/2" (13mm)-14 NPT (F) x 5/8" (16mm) Barb
244-3946	Wingnut Swivel	Nylon	1/2" (13mm)-14 NPT (F) x 3/4" (19mm) Barb



CE

GARDEN HOSE WINGNUT FITTING

Model # Straight Fittings	Style	Material	Description
244-2356	Wingnut Swivel	Nylon	3/4" (19mm) GHT (M) x 1/2" (13mm) NPT (F)



CE

SWIVEL STRAIGHT FITTING ADAPTER

Model # Straight Fittings	Style	Material	Description
244-2866	Wingnut Swivel (Pump/Accumulator Fitting)	Nylon	1/2" (13mm) NPT (F) x 1/2" (19mm)NPT (F)



CE

TEE FITTING

Model # Straight Fittings	Style	Material	Description
244-4522	Barb Tee	Polypropylene	1/2" (13mm) Barb x 1/2" (19mm) Barb x 1/2" (19mm) Barb



CE



CE



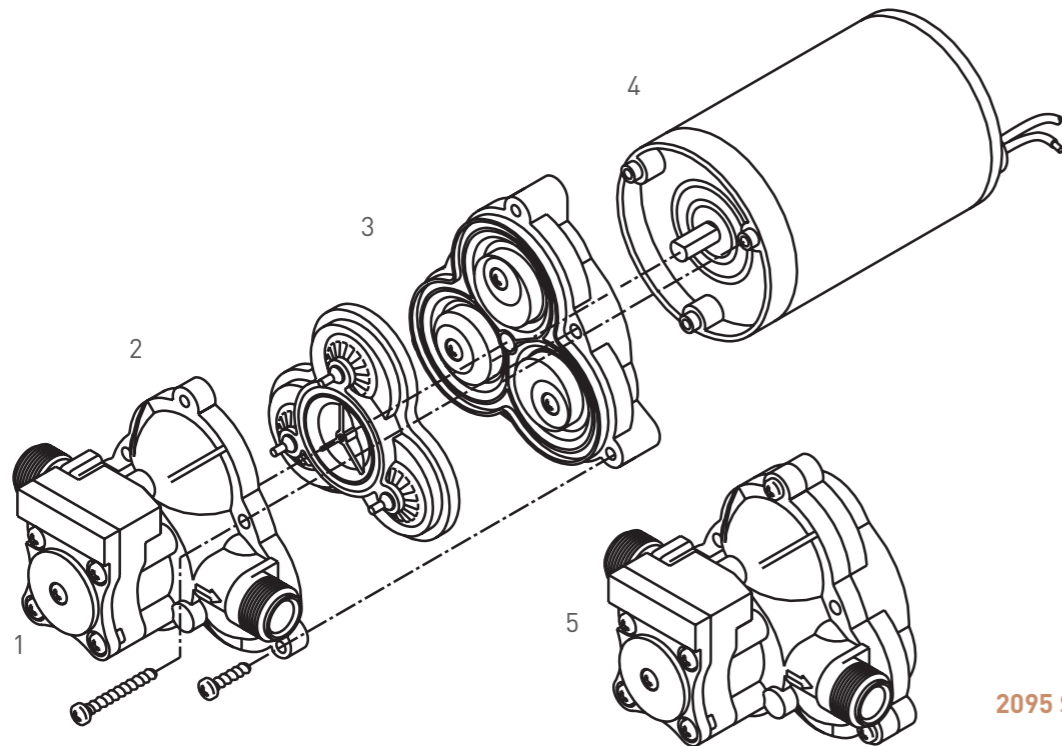
CE

PUMP REPAIR AND REBUILD KITS

Shurflo pumps have set the standard for RV performance and reliability. To keep that performance and reliability at its peak, Shurflo offers a wide range of kits for bench and field repair of its products. For detailed listings of individual part numbers, refer to Shurflo pricing guides and repair manuals. This overview indicates the type of kits available.

2095 SERIES

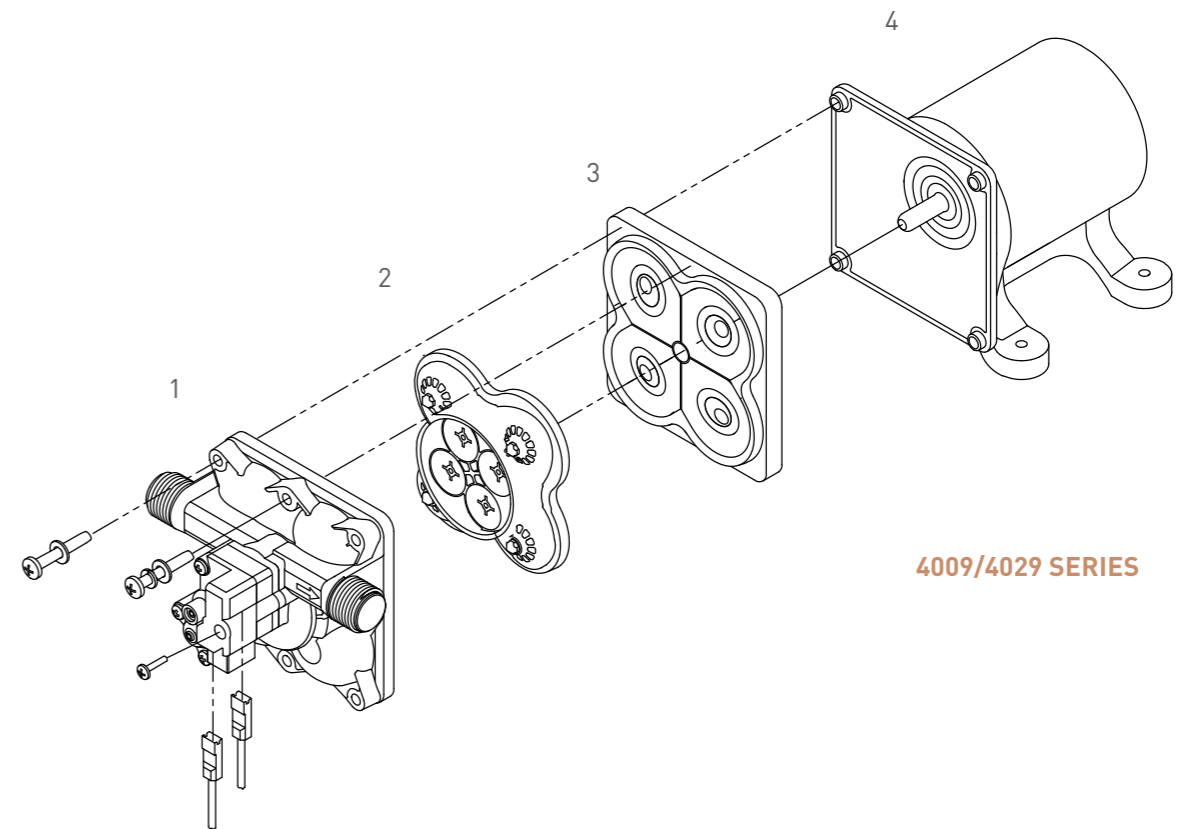
Name	Model # OEM/(Aftermarket)	Switch	Upper Housing	Valve Assembly	Drive Assembly	Pump Head Kit	Check Valve
		1	2	3	4	5	Not Shown
Trail King™ 7	2095-204-112 2095-204-412	94-231-22	94-231-30	94-232-06	94-238-05	94-236-26	94-237-00
Trail King™ 7	2095-204-113 2095-204-413	94-231-24	94-231-30	94-232-06	94-238-05	N/A	94-237-00
Trail King™ 10	2095-403-142 2095-403-442	94-231-22	94-231-30	94-232-06	94-238-04	94-236-28	94-237-00
Trail King™ 10	2095-403-143 2095-403-443	94-231-24	94-231-30	94-232-06	94-238-04	94-236-29	94-237-00
Trail King™ 10	2095-403-144 2095-403-444	94-231-20	94-231-30	94-232-06	94-238-04	94-236-28	94-237-00
Trail King™ 10	2095-473-143 2095-473-443	94-231-24	94-231-30	94-232-06	94-238-04	94-236-29	94-237-00
Trail King™ 10	2095-473-144	94-231-20	94-231-30	94-232-06	94-238-04	94-236-08	94-237-00
Trail King™ 10	2095-292-114 2095-292-414	94-231-20	94-231-30	94-232-06	94-238-04	94-236-21	94-237-00
Whisper King™ Classic Pump	2095-243-444	94-231-20	94-231-24	94-232-06	94-238-05	94-236-08	94-237-00



2095 SERIES

4009/4029 SERIES

Name	Model # OEM/(Aftermarket)	Upper Housing	Valve Assembly	Drive Assembly	Motor	Pump Head	Check Valve	Switch
		1	2	3	4	1,2,3	Not Shown	Not Shown
4029	4029-181-A32 4029-181-B32	94-890-07	94-800-01	94-800-02	N/A	94-890-05	94-800-03	94-890-00
4029	4029-181-A43 4029-181-B43	94-800-08	94-800-01	94-800-02	N/A	94-800-10	94-800-03	94-800-09
4029	4029-181-A54 4029-181-B54	94-890-09	94-800-01	94-800-02	N/A	94-890-04	94-800-03	94-890-01
4029	4029-110-A02 4029-110-B02	94-890-13	94-800-01	94-890-16	94-11-307-00CE	94-890-10	94-800-03	94-806-00
4029	4029-110-A03 4029-110-B03	94-890-14	94-800-01	94-890-16	94-11-307-00CE	94-890-11	94-800-03	94-806-01
4029	4029-110-A04 4029-110-B04	94-890-15	94-800-01	94-890-16	94-11-307-00CE	94-890-12	94-800-03	94-806-02
4009	4009-101-A32 4009-101-B32	94-890-07	94-800-01	94-800-02	94-11-302-00CE	94-890-05	94-800-03	94-890-00
4009	4009-101-A54 4009-101-B54	94-890-09	94-800-01	94-800-02	94-11-302-00CE	94-890-04	94-800-03	94-890-01
4009	4009-101-A87 4009-101-B87	94-890-08	94-800-01	94-800-02	94-11-302-00CE	94-890-06	94-800-03	94-890-02
4009	4009-101-A65	94-800-00	94-800-01	94-800-02	94-11-302-00CE	94-800-04	94-800-03	N/A
4009	4009-131-A54 4009-131-B54	94-890-09	94-800-01	94-800-02	94-11-303-00	94-890-04	94-800-03	94-890-01
4009	4009-131-A26	94-890-08	94-800-01	94-800-02	94-11-303-00	94-890-06	94-800-03	94-890-02

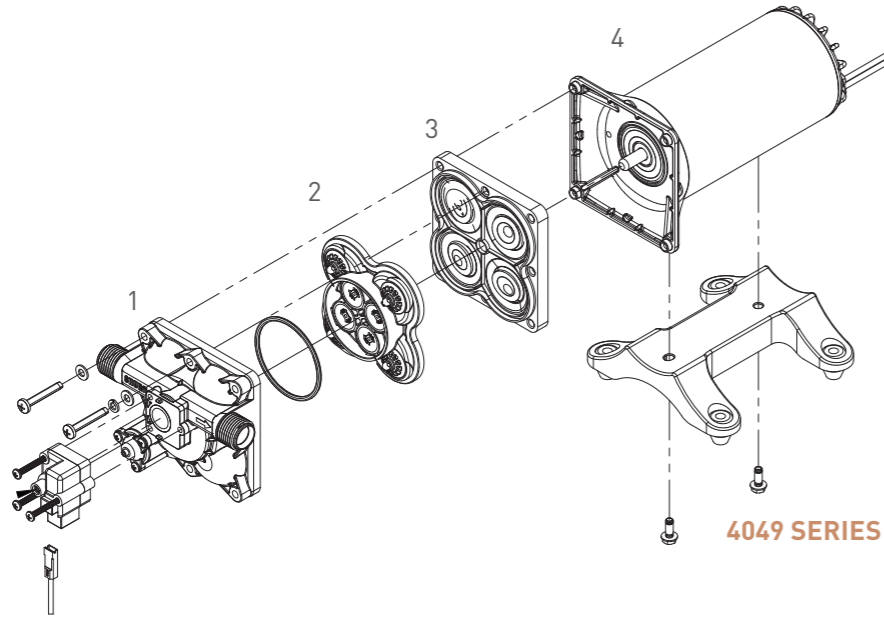


4009/4029 SERIES

PUMP REPAIR AND REBUILD KITS

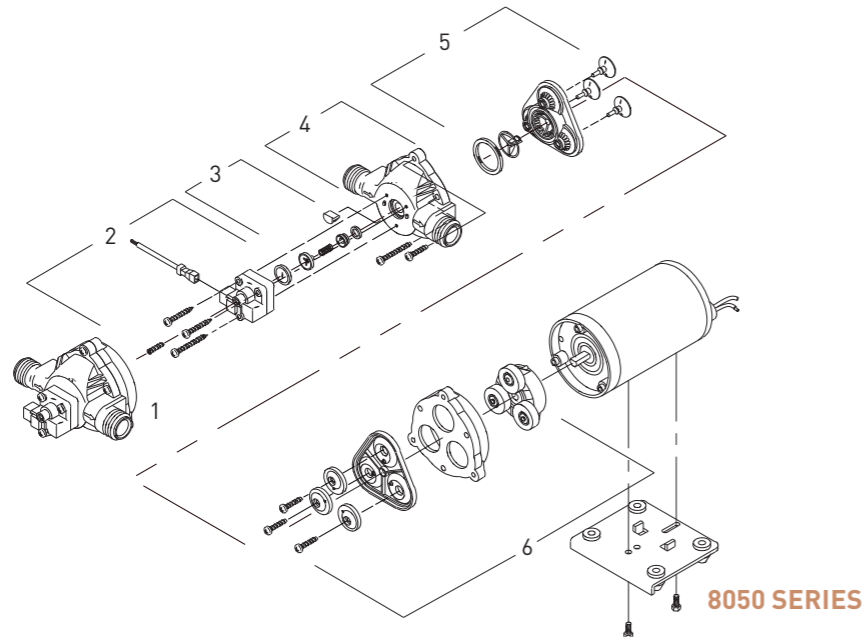
4049 SERIES

Name	Model # OEM/(Aftermarket)	Upper Housing	Valve Assembly	Drive Assembly	Motor	Pump Head	Check Valve	Switch
		1	1,2	3	4	1,2,3	Not Shown	Not Shown
4049	4049-153-B86	94-801-17	94-800-01	94-801-02	94-71-001-07	94-801-08	94-800-03	94-801-15
4049	4049-153-B75	94-801-01	94-800-01	94-801-02	94-71-001-07	94-801-04	94-800-03	94-801-05



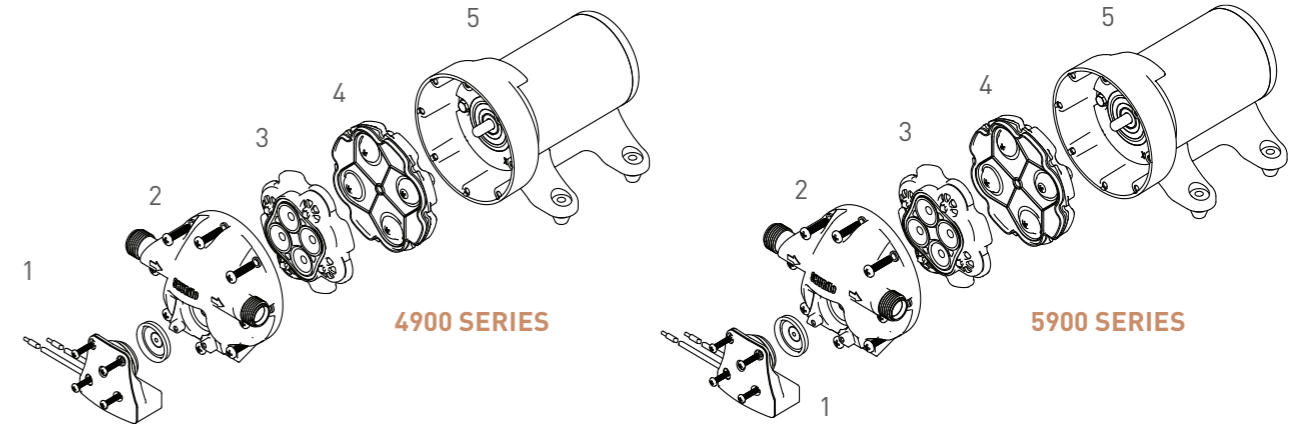
8050 SERIES

Name	Model # OEM/(Aftermarket)	Pump Head	Switch	Check Valve	Upper Housing	Valve Assembly	Drive Assembly
		1	2	3	4	5	6
Utility Pumps	8050-305-XXX	N/A	N/A	N/A	N/A	94-391-12	94-385-42



4900 SERIES

Name	Model # OEM/(Aftermarket)	Switch	Upper Housing	Valve Assembly	Drive Assembly	Motor
		1	2	3	4	5
Extreme™ Series Smart Sensor™ 4.0 12 VDC	4900-0201 (4900-0211)	N/A	94-670-01	94-669-00	94-670-00	N/A

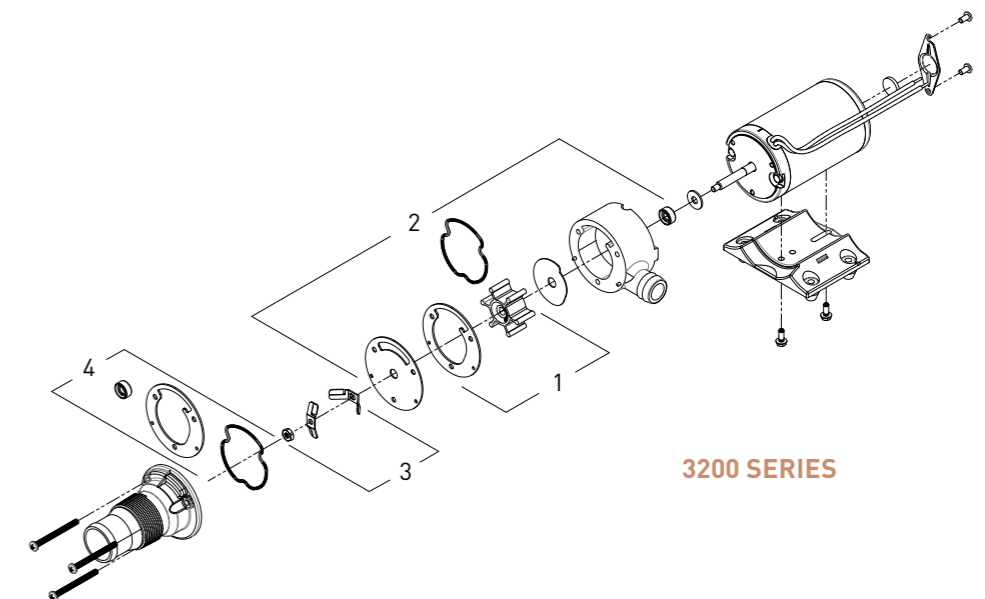


5900 SERIES

Name	Model # OEM/(Aftermarket)	Switch	Upper Housing	Valve Assembly	Drive Assembly	Motor
		1	2	3	4	5
Extreme™ Series Smart Sensor™ 5.7 12 VDC	5900-0201 (5900-0211)	N/A	94-670-02	94-030-01	94-030-02	N/A

3200 SERIES

Name	Model # OEM/(Aftermarket)	Impeller Kit	Impeller Housing Kit	Blade Kit	Lip Seal Kit
		1	2	3	4
Macerator 12 VDC	3200-200 (3200-201)	94-571-00	94-570-00	94-570-02	94-570-04



INSTALLATION GUIDELINES

PUMP MOUNTING

SOLID SURFACES are required to lessen vibration and noise. A thin surface can amplify noise.

EASY ACCESS for strainer and pump maintenance is needed, as well as space around the pump to keep it cool.

POSITIONING the pump horizontal is best, but most pumps can be mounted in any position. Pumps will push water better than pull, so mount the pump within 6 feet of the water tank for best performance.

ANCHOR the pump snug, but don't flatten the feet to keep vibration from transmitting to the system.

INLET SIDE OF PUMP

FLEX LINES help reduce normal vibration of the pump being transmitted through the system. The lines should be rated to not collapse under pump vacuum. Collapsing inlet lines cause pump starvation, cavitation and noise. Route lines so they don't kink.

STRAINERS with adequate screen size are required to keep debris out of the pump and minimize vacuum and circulation.

VALVES for tank shut-off or winterizing should be full-port style, or as open as possible to reduce vacuum and cavitation, which cause system noise.

PUMP FITTINGS on both inlet and outlet must seal on the internal taper of the threaded pump ports. For quick-connect fittings, make sure the O-rings are lubricated and the fittings are pushed in straight. Minimize side-to-side stresses on all plumbing system fittings.

OUTLET SIDE OF PUMP

FLEX LINES should be anchored where the flex meets the hard tubing and throughout the coach. Make sure plumbing does not rattle behind walls, showers and where it goes through walls and shelves. Valves should be full-flow with minimum back pressure. Check Valves on the water heater inlet keep hot water from pressurizing the cold water side of the system.

ACCUMULATORS should be charged to the restart (On) pressure of the pump to provide the best system flow, low pump cycling and smooth performance. The Revolution™ High Flow series pumps do not require an accumulator.

PUMP ELECTRICAL

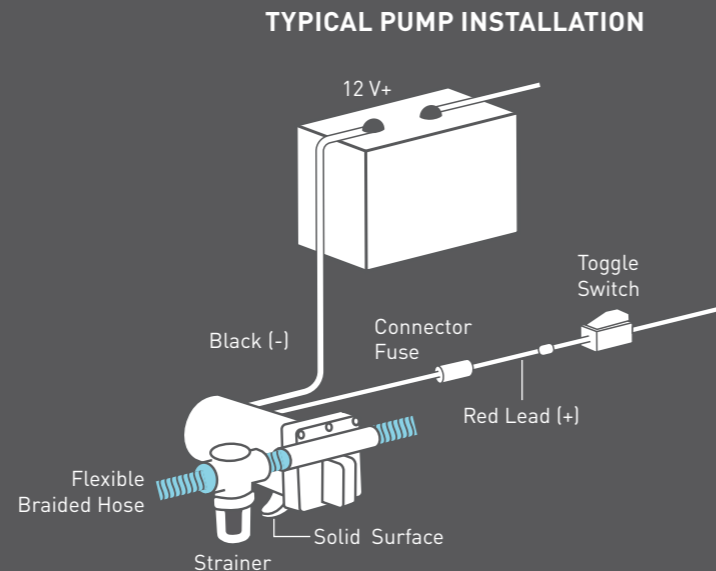
WIRE SIZE is very important to keep proper voltage at the pump. See the chart for wire sizing.

FUSING & SWITCHING are very important, as they allow shutting the pump off separately for service and providing an extra layer of safety in case of problems.

12 VDC 15 AMP CIRCUIT

Total Wire Length*	Minimum Wire Size	
	3% Drop	10% Drop
FEET (METERS)		
1-10 (3.3-3)	#12	#16
11-20 (3.3-6)	#10	#14
21-30 (6.4-9.1)	#8	#14
31-40 (9.1-12.2)	#6	#12
41-60 (12.2-18.3)	#6	#10

*Length from power source to motor and back to ground. Red wire (+) positive. Black wire (-) negative



MAINTENANCE TIPS

FILTRATION

Your choice of filtration products will depend on your RV Lifestyle. From part-time to full-time, from pop-up to Class A's and beyond, Shurflo water filters will meet your needs.

IN-LINE FILTERS are great for under-the-sink installation, separate single-tap faucets and ice makers. They are sized to meet many flow and life requirements, and can even be used to filter the water coming in through the city water entry. Be sure to make clean tubing cuts, and handle tubing carefully to avoid scratches, kinks and damage.

HOUSING & CARTRIDGE FILTERS combine the ease and convenience of a permanent installation with a variety of filter media choices to meet your needs. If the housing is installed for "Full-House Filtration", make sure the filters meet your needs. A high flow of water through a filter reduces its ability to clean the water and can create significant back pressure on the pump, creating low system pressure and flow. Most filters are only designed to filter at a low flow rate.

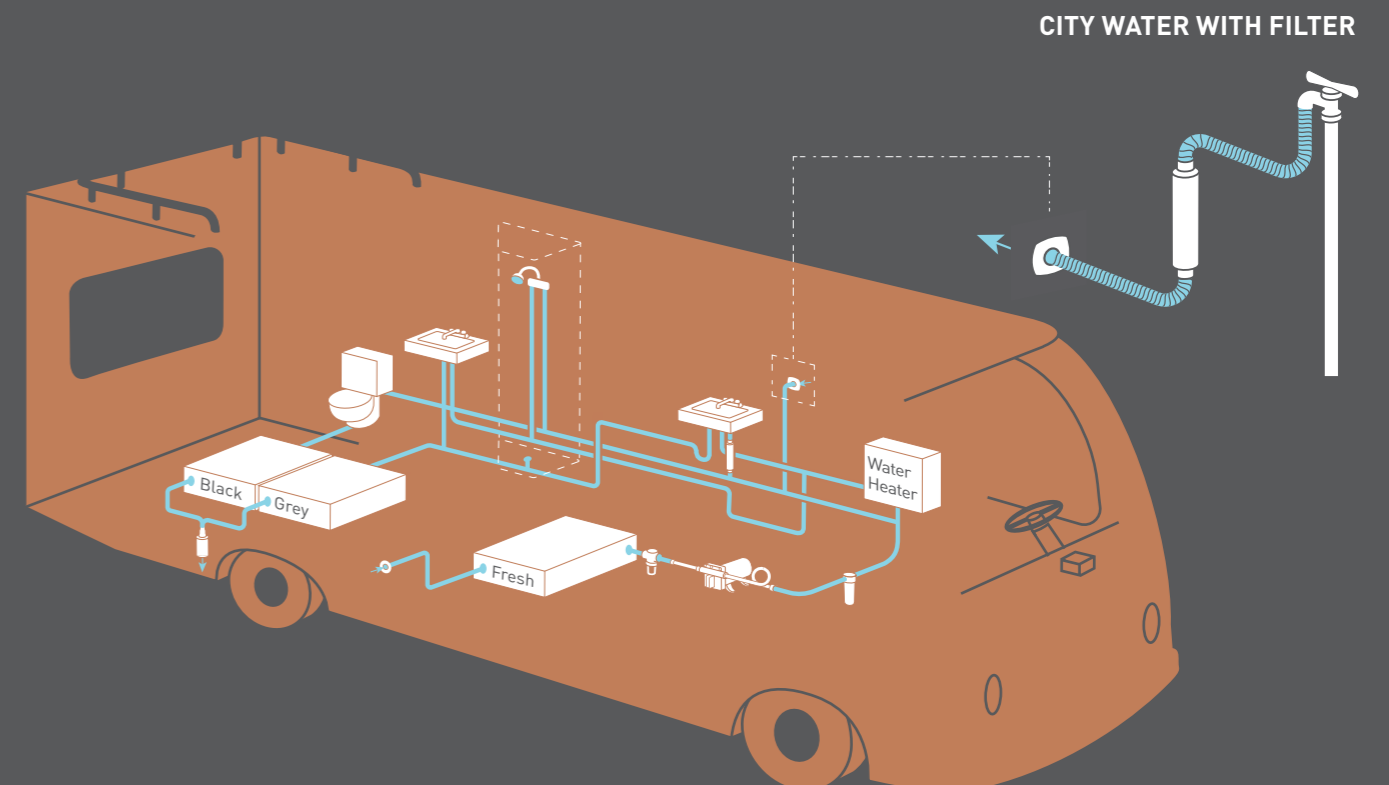
If you want to use **REVERSE OSMOSIS**, the standard RV pumps are not designed for the high pressures and continuous-duty cycles that are needed. Contact Shurflo for help here. Do not use filters with water that is microbiologically unsafe or of unknown quality without adequate disinfection before or after the unit. Some state and local laws and regulations may pertain to the installation of any plumbed in components. Check for compliance in your area. Do not install filters near a heat source. Do not allow filters to freeze. Do not expose filters to direct sunlight or Ultra Violet radiation (UV). Do not use filters beyond stated capacity. Do not attach filters to hot water lines. Do not over pressurize filters.

GENERAL SYSTEM CARE

Road vibration can loosen system components. Check all plumbing components, fittings and connections regularly. If something is loose, tighten it up. Don't store things on top of plumbing system components.

SANITIZING keeps your system clean. Make sure to follow your manufacturer and component manuals for recommendations and sanitize your system. It's easy to do and helps to extend component life. Many pump and valve failures can be attributed to scaling or other build-up that could easily be prevented with proper maintenance. Bypass or remove filters before sanitizing.

WINTERIZING Don't let plumbing system components freeze with water in them. Severe damage and flooding can result. Use winterizing procedures recommended by the coach manufacturer or your local dealer. There are many good ways to winterize systems for freezing weather and long storage.





USA

3545 Harbor Gateway South, Suite 103
Costa Mesa, CA, 92626, USA
800-854-3218 www.shurflo.com

EUROPE

Pentair® Water Belgium B.V.B.A. Industriepark Wolstee,
Toekomstlaan 30 2200 Herentals, Belgium
Tel: +32 14 259 911 Fax: +32 14 259 975
shurflo.service@pentair.com

CENTRAL & SOUTH AMERICA

Pentair Water do Brasil LTDA Av.
Marginal Norte da Via Anhanguera,
53.700 Jundiaí/SP - Brasil CEP 13206-245
(11) 3378-5400 vendas.pwdb@pentair.com

All Pentair trademarks and logos are owned by Pentair, Inc. All other brand or product names are trademarks or registered marks of their respective owners. Because we are continuously improving our products and services, Pentair reserves the right to change specifications without prior notice. Pentair is an equal opportunity employer.

MS-030-172 Rev. 09/17 Printed in USA. © 2005-2017 Pentair, Inc. All Rights Reserved.