



# SHURFLO PROBLASTER™ II DELUXE 4.0

## MARINE WASHDOWN PUMP – PRODUCT TECHNICAL DATA SHEET

OEM: 4248-153-A09  
 AFTERMARKET: 4248-153-E09



### APPLICATION:

Marine fresh or salt water wash-down installation. Other uses may include 12V DC pressurize water systems in cabins. This pump may be used for general water transfer.

### PUMP DESIGN:

Type: 4 Chamber Diaphragm pump  
 Ports: ½”-14 NPSM-Male  
 Liquid: 130°F [54°C] Max  
 Dry-Prime: 6 feet [1.82 M]  
 Run Dry: Yes  
 Inlet Pressure: 30 PSI Max. [2.06 Bar]

### ELECTRICAL:

Motor: 12V DC Permanent Magnet, Intermittent Duty.  
 Protection: Thermal Overload, Automatic Restart  
 Leads: 14 AWG, 14 ¾” [37 cm] Red +, 15” [38 cm] Black  
 Fuse: 15 Amp Recommended  
 Control: Shut-Off 60 PSI [4.1 Bar] ± 2 PSI [0.13 Bar]  
 Re-start 45 PSI [3.1 Bar] ± 2 PSI [0.13 Bar]

### MATERIALS OF CONSTRUCTION:

Housings: Polypro  
 Valves/Seals: EPDM  
 Diaphragm: Santoprene  
 Hardware: Stainless Steel

### AGENCY APPROVALS:

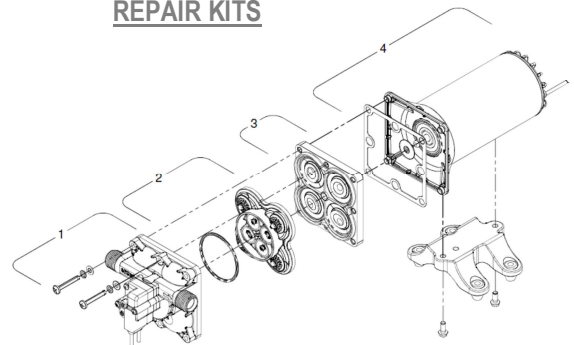
Ignition Protection 8846, CE, IMCI Certified

### SHIPPING INFORMATION:

Approx. Net Weight: 7.9 Pounds [3.5 Kg] ea.  
 Carton Qty.: 6  
 Approx. Carton Weight: 50 Lbs. [22.6 Kg]  
 Approx. Carton Size: 24”L X 18”W X 6”H [61cm x 46cm x 15cm]

- Aftermarket model includes:**
- Strainer: swivel straight adapter ½-14 NPT (hex-wing nut) x ½-14 NPS (male)
  - Fittings: swivel straight adapter ½-14 NPT (hex-wing nut) x ¾ barb (Qty. 2)
  - Fitting: swivel straight adapter ½-14 NPT (hex-wing nut) x ¾ NHR (Male) (Qty. 1)

### REPAIR KITS



| Number    | Description    | Part Number  |
|-----------|----------------|--------------|
| *1        | Upper Assembly | 94-804-02    |
| 2         | Valve Assembly | 94-800-01    |
| 3         | Drive Assembly | 94-801-02    |
| 4         | Motor/Gasket   | 94-71-001-07 |
| *1,2,3    | Pump Head      | 94-804-03    |
| Not Shown | Check Valve    | 94-800-03    |

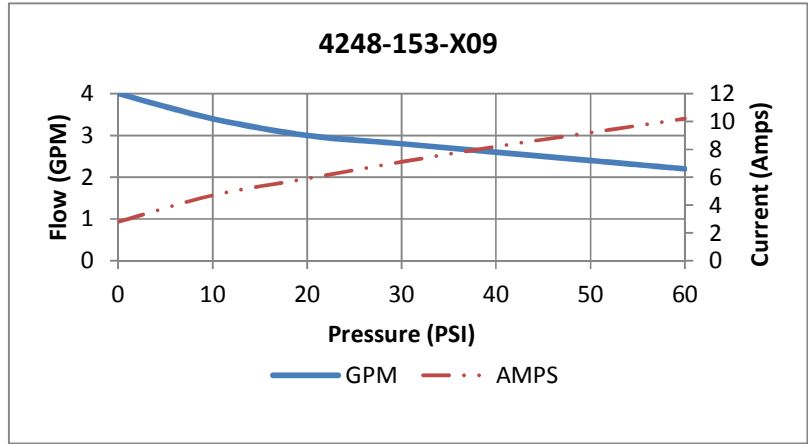
\*With preset switch adjustment

**RELATED DOCUMENTS:**

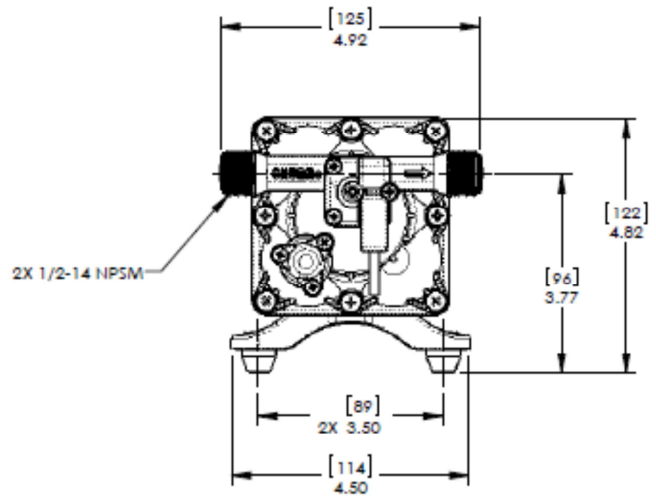
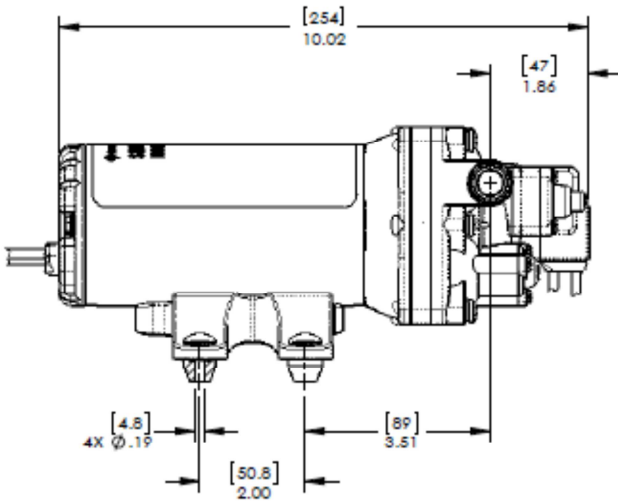
Catalog: MS-030-140  
 App Guide Sheet: MS-020-005  
 Installation Manual: 911-1035  
 Aftermarket Warranty: 911-1045

**TYPICAL PERFORMANCE AT 12V**

| PRESSURE |     | FLOW |      | CURRENT |
|----------|-----|------|------|---------|
| BAR      | PSI | GPM  | LPM  | AMPS    |
| 0        | 0   | 4.0  | 15.1 | 2.8     |
| 0.7      | 10  | 3.4  | 12.8 | 4.7     |
| 1.4      | 20  | 3.0  | 11.3 | 5.9     |
| 2.1      | 30  | 2.8  | 10.5 | 7.1     |
| 2.8      | 40  | 2.6  | 9.8  | 8.2     |
| 3.4      | 50  | 2.4  | 9.0  | 9.2     |
| 4.1      | 60  | 2.2  | 8.3  | 10.2    |



**DIMENSIONS:**



**WATER PURIFICATION**

3545 Harbor Gateway South, Suite 103, Costa Mesa, CA 92626, (800) 854-3218 www.SHURFLO.com

All Pentair trademarks and logos are owned by Pentair, Inc. All other brand or product names are trademarks or registered marks of their respective owners. Because we are continuously improving our products and services, Pentair reserves the right to change specifications without prior notice. Pentair is an equal opportunity employer.