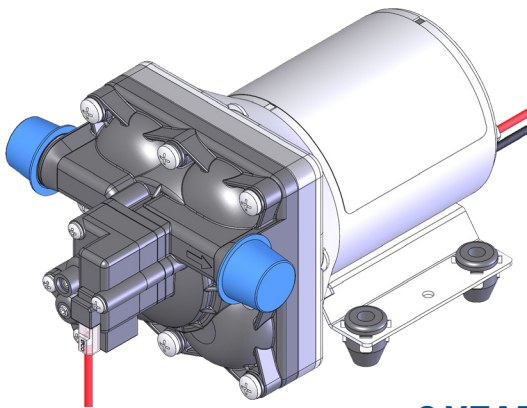


HIGH FLOW FRESH WATER PUMPS

REVOLUTION 4009 SERIES

APPLICATIONS

Multi-fixture RV potable water installations. Other uses may include 12 VDC pressurized water systems in cabins. This pump may be used for general water transfer. For other applications, contact Pentair Shurflo.



2 YEAR
LIMITED WARRANTY

CERTIFICATIONS AND STANDARDS

Revolution 4009 Series complies with the following certifications and standards:

- ◆ CE
- ◆ CSA372
- ◆ CSA RV
- ◆ C-Tick
- ◆ E-Mark
- ◆ KTW

SPECIFICATIONS

PUMP

- ◆ **Type:** 4 Chamber Diaphragm
- ◆ **Ports:** 1/2"-14 NPSM-Male
- ◆ **Liquid:** 130 °F [54 °C] Max
- ◆ **Prime:** 9 feet [2.7 M]
- ◆ **Inlet PSI:** 30 PSI [2.1 Bar] Max
- ◆ **Run Dry:** Yes

ELECTRICAL

- ◆ **Motor:** 12VDC Permanent Magnet, Intermittent Duty
- ◆ **Protection:** Thermal Overload, Automatic Restart
- ◆ **Leads:** 16 AWG, 16" [40 cm] Red +, 13" [33 cm] Black -
- ◆ **Fuse:** 5 Amp Time Delay Recommended
- ◆ **Control:** Adjustable Switch with Check Valve
Shut-Off: 30 PSI [2.1 Bar] ± 5 PSI [0.4 Bar]
Restart: 18 PSI [1.2 Bar] ± 5 PSI [0.4 Bar]

MATERIALS

- ◆ **Housing:** Polypropylene
- ◆ **Valves:** EPDM
- ◆ **Diaphragm:** TPE
- ◆ **Hardware:** Stainless Steel
- ◆ **Baseplate:** Metal
- ◆ **Type:** 4 Chamber Diaphragm

RELATED DOCUMENTS

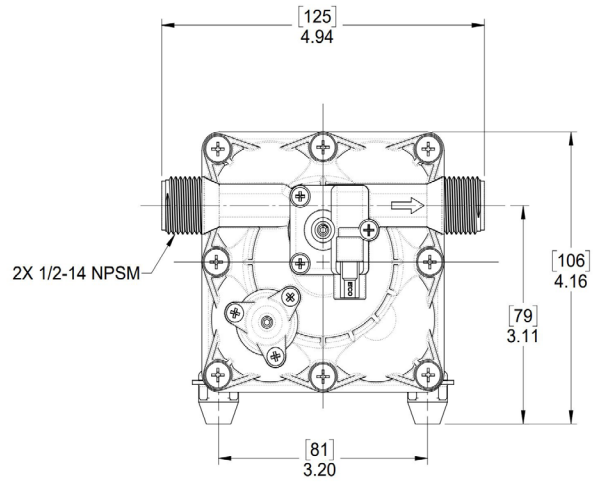
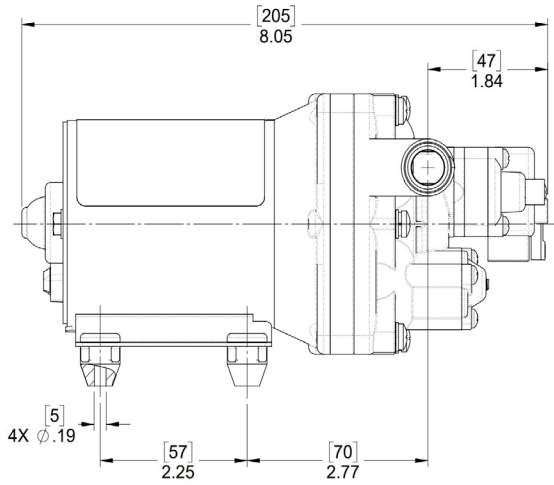
- ◆ 911-1038 Installation and Operation Manual

* This model is also available with an elastomer base plate as denoted by a "K" at the end of the product number, i.e., 4009-201-A54K.

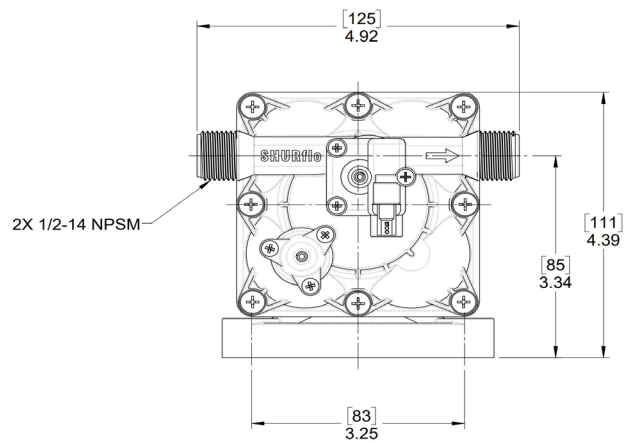
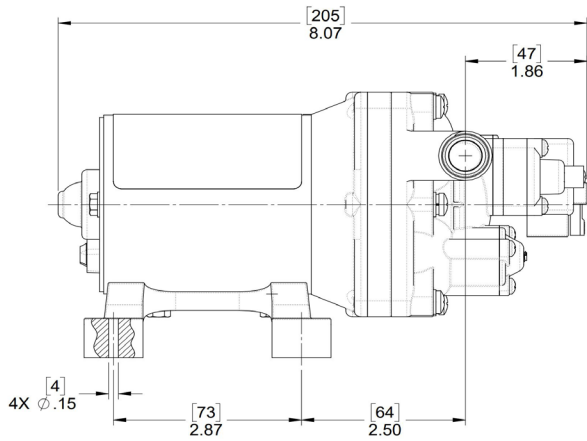
DIMENSIONAL DATA

All dimensions are for reference only. Do not use to create specification control drawing.

4009-201-A54, 4009-201-B54 MODELS



4009-201-A54K MODEL



SHURflo reserves the right to update specifications, prices, or make substitutions.



SHURflo UK Customer Service
Hypro EU Limited
Unit 9, Bourn Quarter
Caldecote, Cambridge CB237FW
United Kingdom
Shurflo.service@pentair.com

SHURflo European Customer Service
Pentair Water Belgium BV
Industriepark Wolfstee
Toekomstlaan 30
B-2200 Herentals, Belgium
Shurflo.service@pentair.com

pentair.com

All indicated Pentair trademarks and logos are property of Pentair. Third party registered and unregistered trademarks and logos are the property of their respective owners.

©2024 Pentair. All Rights Reserved.

PDS-4009-201-X54 | SF911-20001(08-01-24)